

US00D666869S

(12) **United States Design Patent**
Martindale et al.

(10) **Patent No.:** **US D666,869 S**
(45) **Date of Patent:** **** Sep. 11, 2012**

(54) **BAR GUN**

(75) Inventors: **Richard A. Martindale**, Vacaville, CA
(US); **James M. Tuyls**, Vacaville, CA
(US)

(73) Assignee: **Automatic Bar Controls, Inc.**,
Vacaville, CA (US)

(**) Term: **14 Years**

(21) Appl. No.: **29/393,151**

(22) Filed: **May 31, 2011**

Related U.S. Application Data

(63) Continuation-in-part of application No. 29/361,127,
filed on May 5, 2010, now Pat. No. Des. 638,659.

(51) **LOC (9) Cl.** **07-01**

(52) **U.S. Cl.** **D7/398; D7/397**

(58) **Field of Classification Search** D7/398,
D7/397, 307, 308; 137/606; 222/144.5,
222/485, 108

See application file for complete search history.

(56) **References Cited**

U.S. PATENT DOCUMENTS

D256,125 S * 7/1980 Erickson D7/398
D274,031 S * 5/1984 de Man D7/398

4,921,140 A * 5/1990 Belcham 222/144.5
D309,232 S * 7/1990 Valiyee et al. D7/398
4,986,449 A * 1/1991 Valiyee et al. 222/144.5
7,036,687 B1 * 5/2006 Lowe 222/145.5
7,658,006 B2 * 2/2010 Schroeder 29/890.142
D628,014 S * 11/2010 Martindale D7/398
D638,659 S * 5/2011 Martindale et al. D7/398
8,109,413 B2 * 2/2012 Schroeder et al. 222/145.5
2010/0147886 A1 * 6/2010 Martindale 222/113

* cited by examiner

Primary Examiner — Marianne Pandozzi

(74) *Attorney, Agent, or Firm* — Kilpatrick Townsend &
Stockton LLP

(57) **CLAIM**

The ornamental design for a bar gun, as shown and described.

DESCRIPTION

FIG. 1 is a perspective view of a bar gun showing our new
design;

FIG. 2 is a top plan view thereof;

FIG. 3 is a bottom plan view thereof;

FIG. 4 is a left side elevational view thereof;

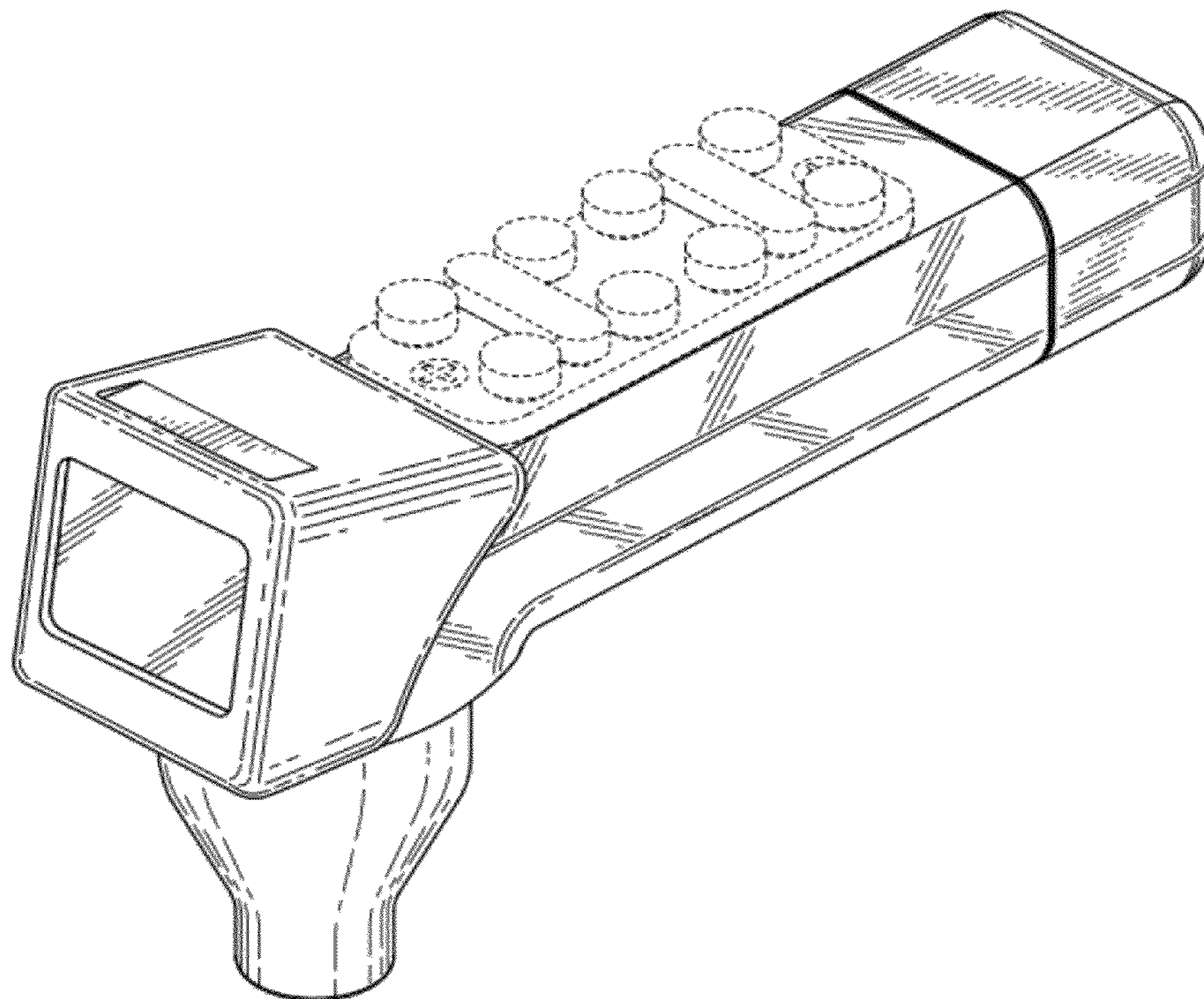
FIG. 5 is a right side elevational view thereof;

FIG. 6 is a front elevational view thereof; and,

FIG. 7 is a rear elevational view thereof.

The broken lines shown in the drawings form no part of the
claimed design.

1 Claim, 5 Drawing Sheets



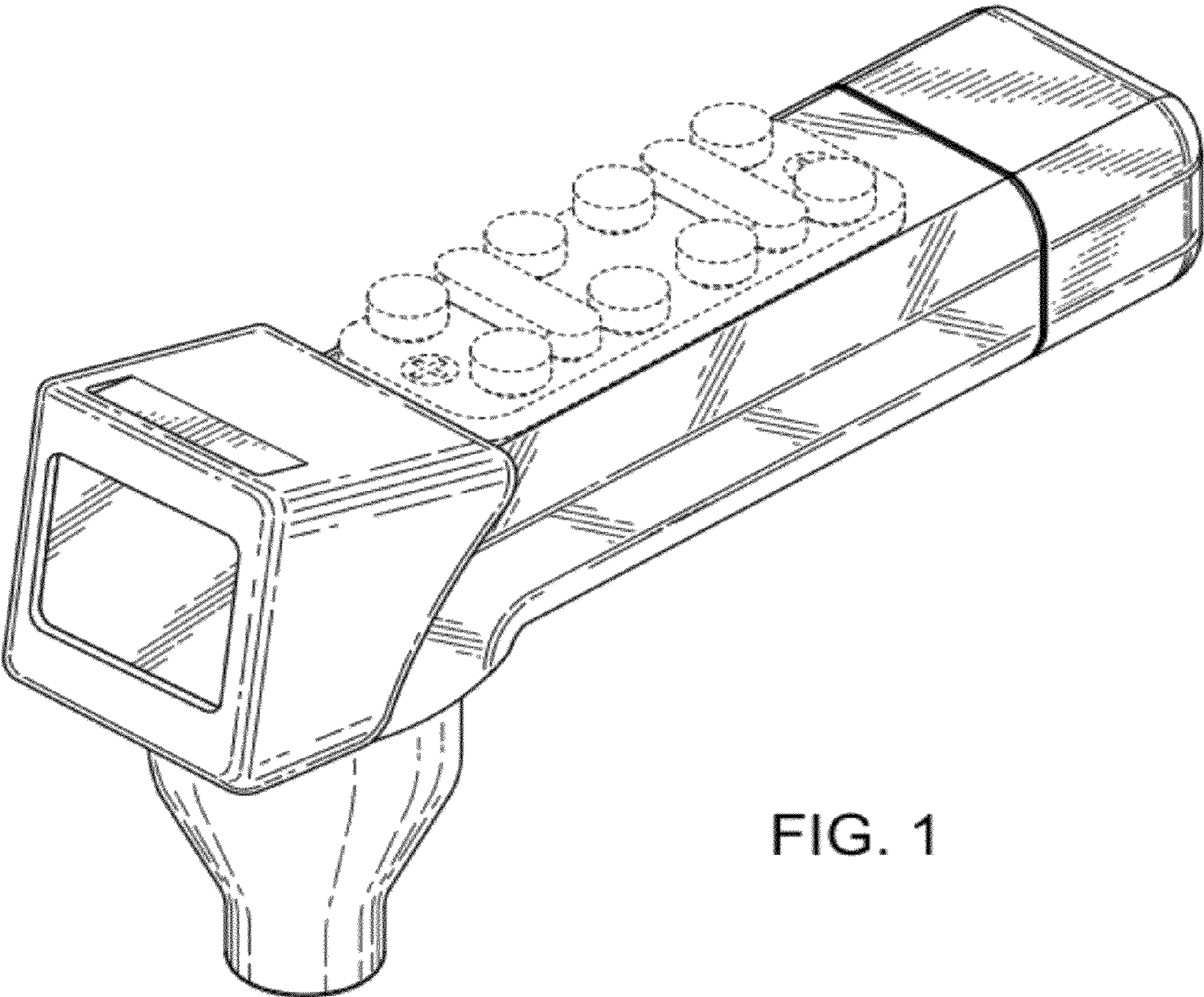


FIG. 1

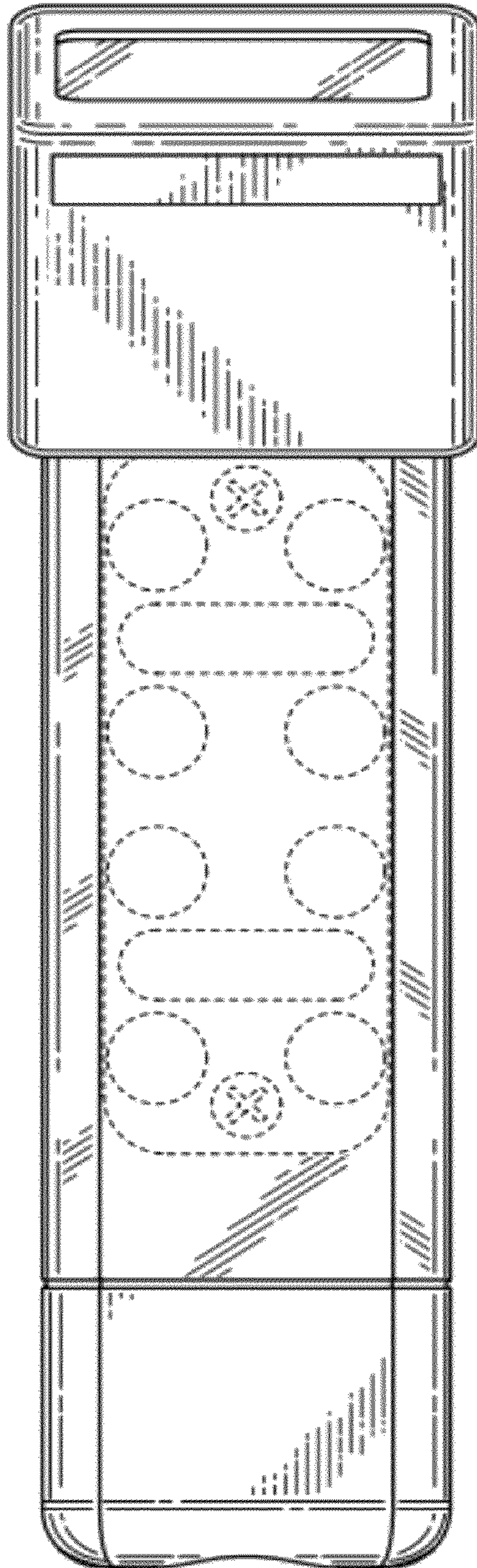


FIG. 2

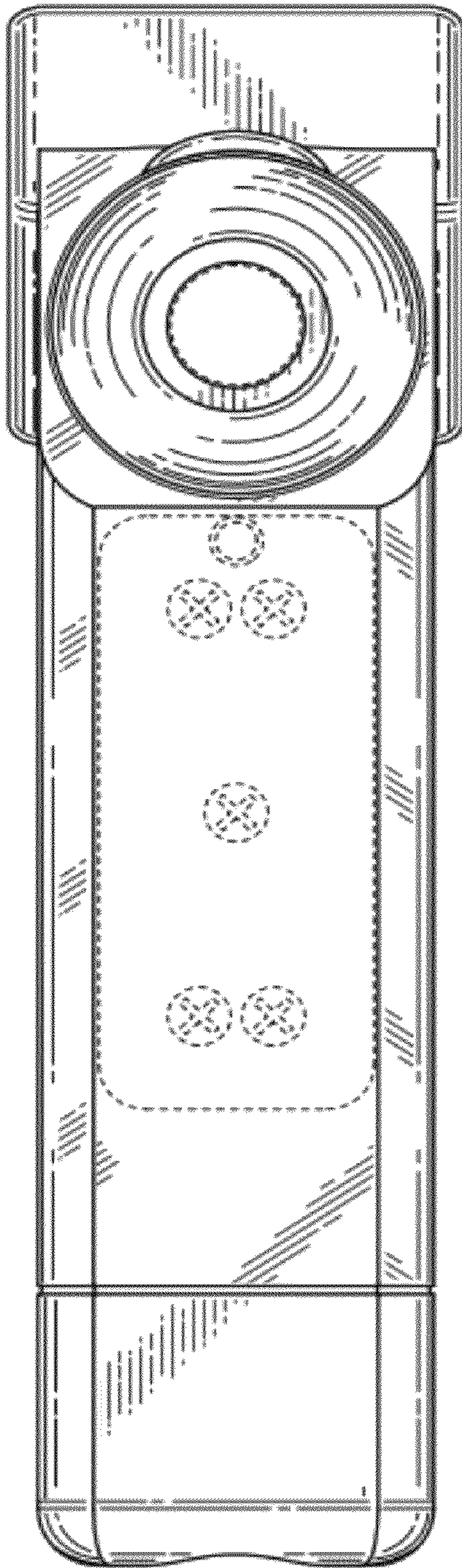


FIG. 3

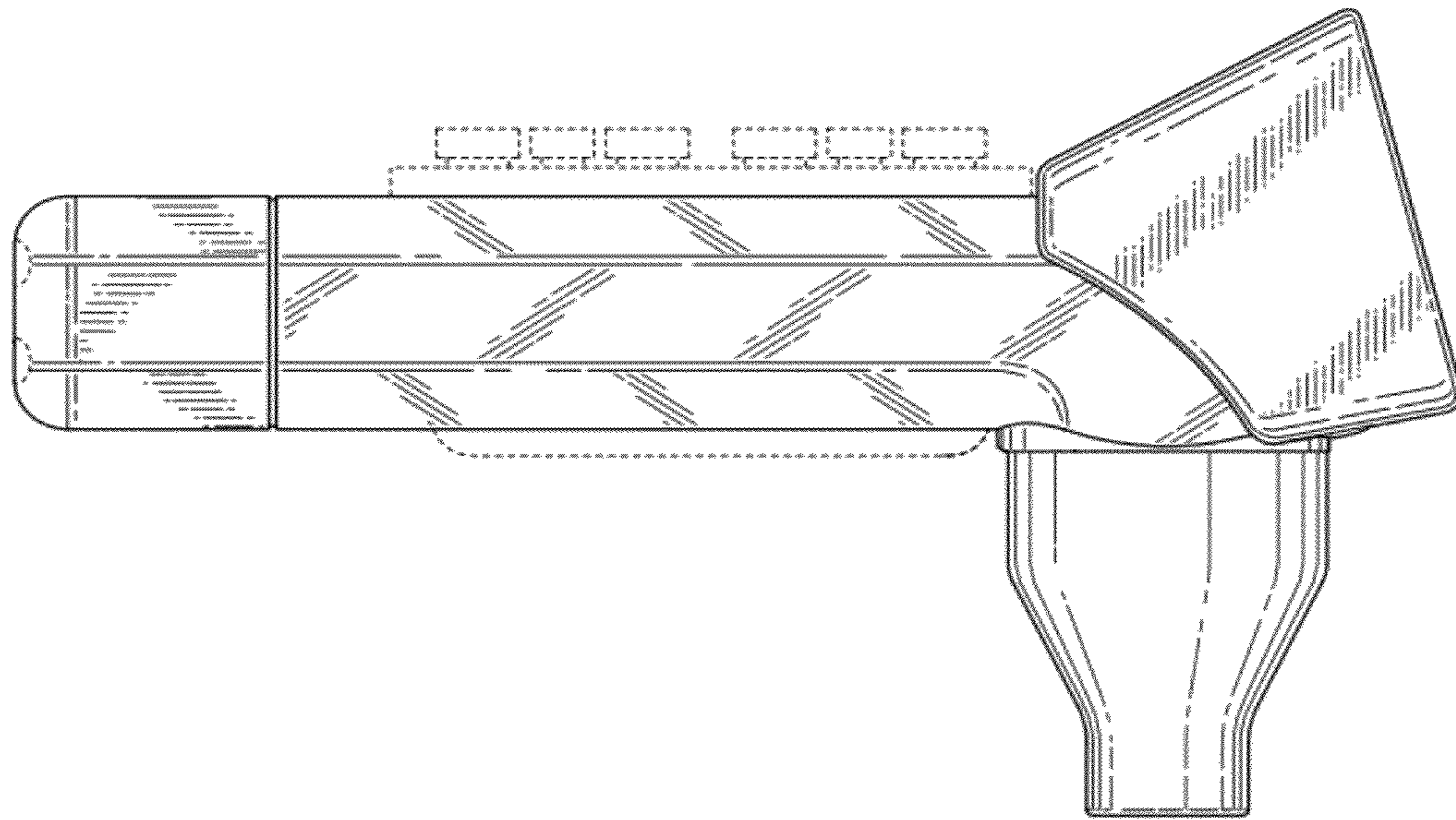


FIG. 4

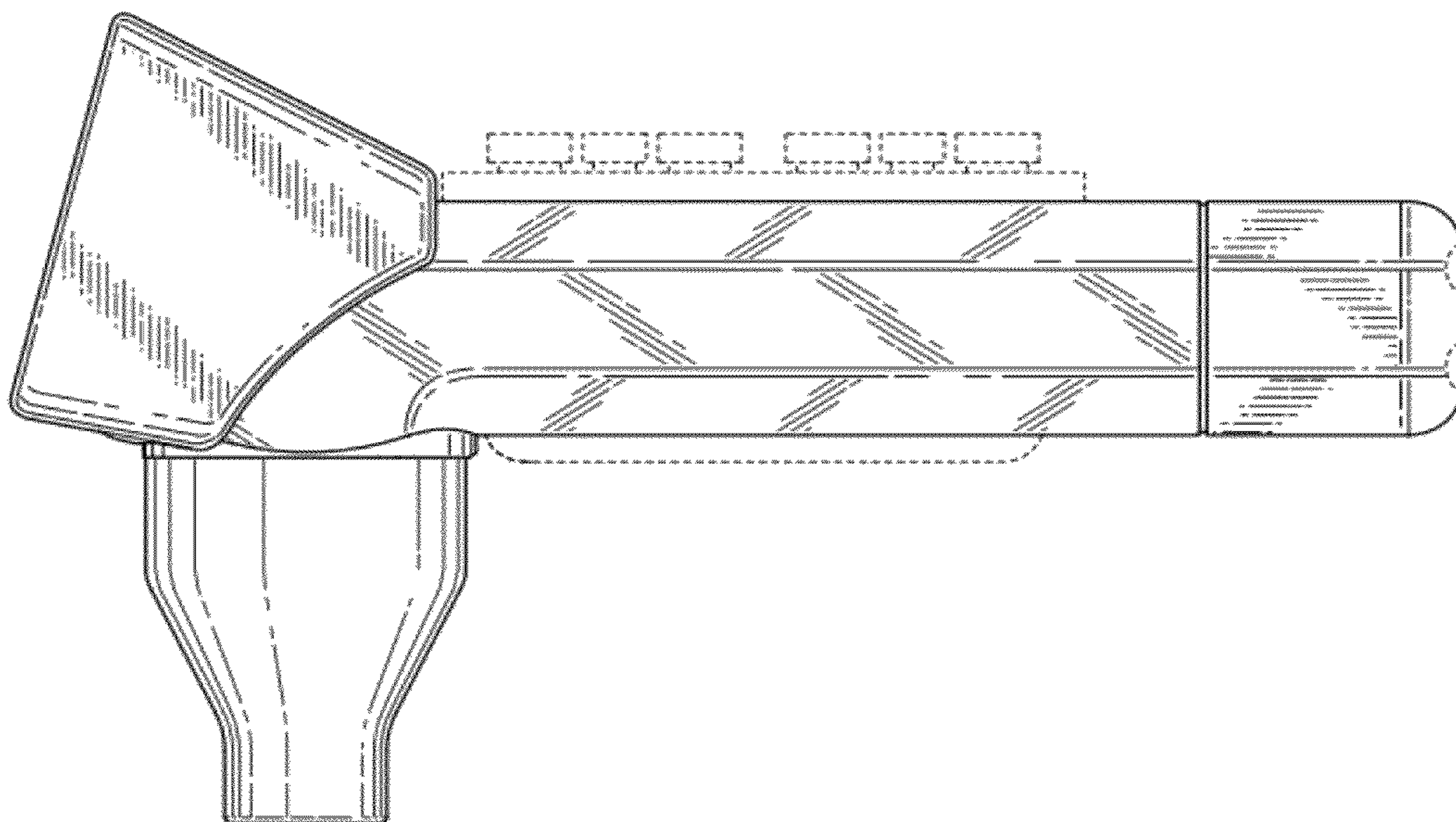


FIG. 5

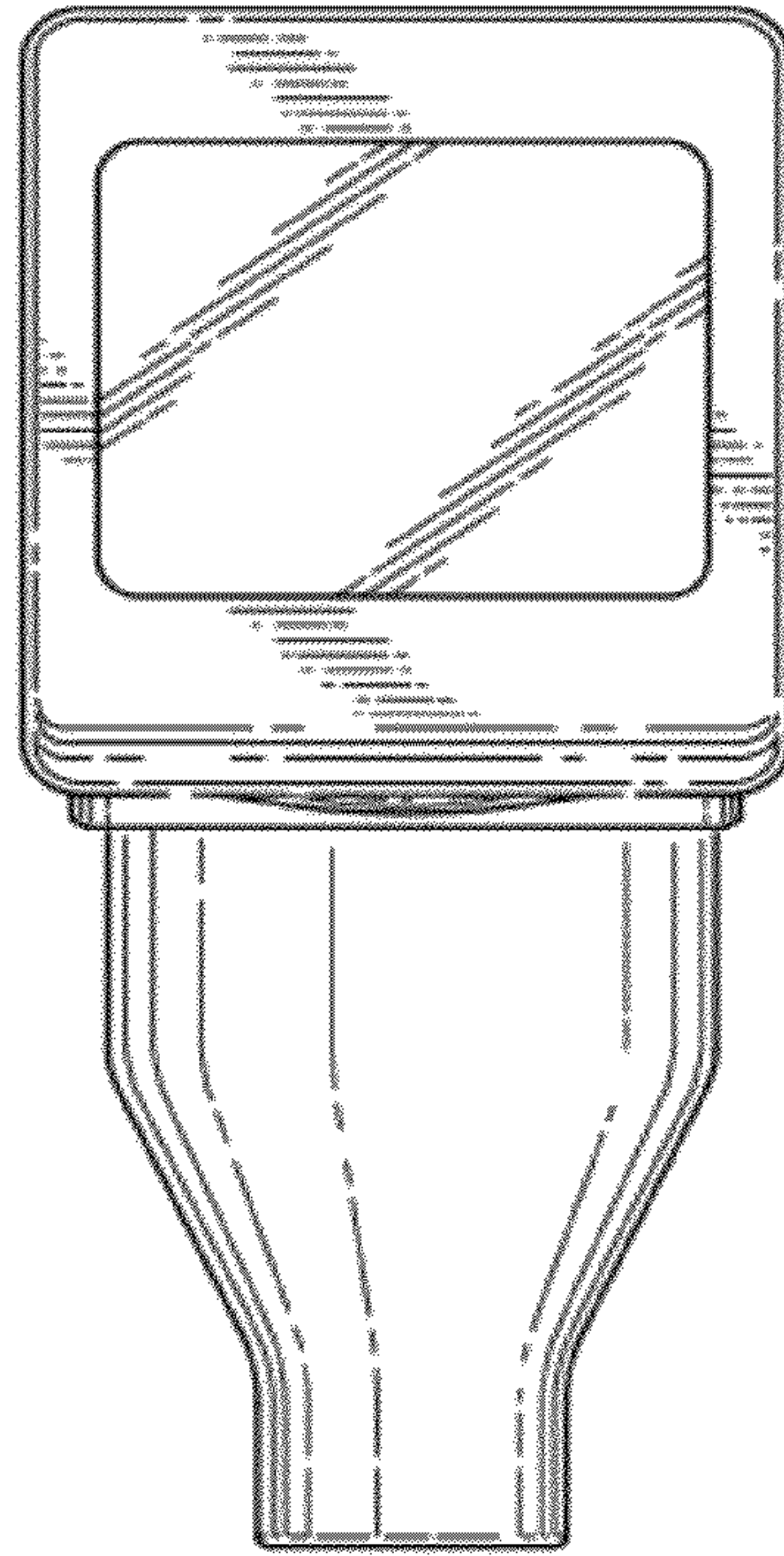


FIG. 6

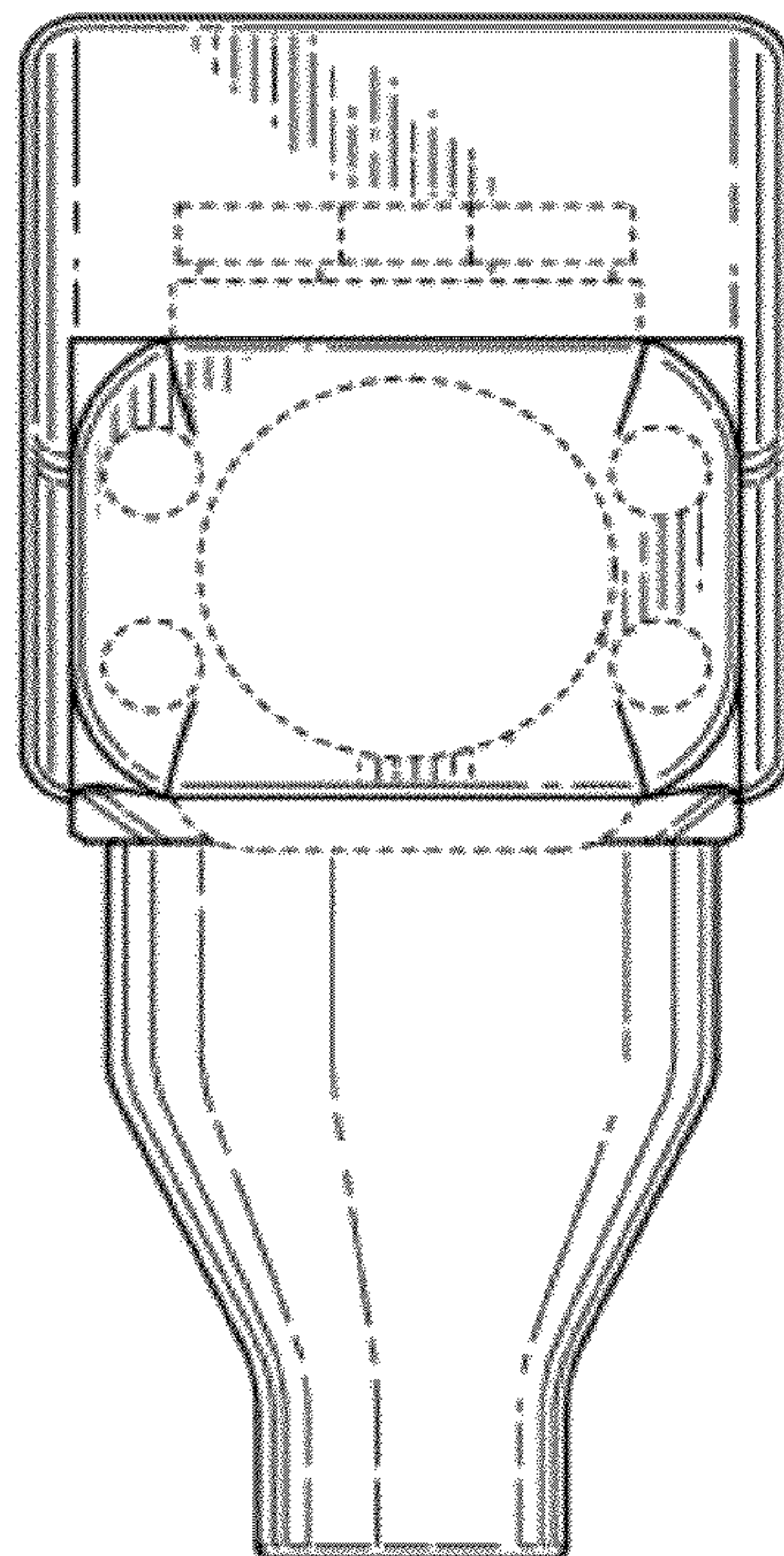


FIG. 7