



US00D666862S

(12) **United States Design Patent**
Edery

(10) **Patent No.:** **US D666,862 S**

(45) **Date of Patent:** **** Sep. 11, 2012**

(54) **COMBINATION SHEET AND BLANKET**

(76) Inventor: **Simona Edery**, Atlanta, GA (US)

(**) Term: **14 Years**

(21) Appl. No.: **29/400,922**

(22) Filed: **Sep. 2, 2011**

(51) **LOC (9) Cl.** **06-13**

(52) **U.S. Cl.** **D6/602; D6/603**

(58) **Field of Classification Search** D6/595-600,
D6/602, 603, 606-609; 5/413 AM, 413 R,
5/417-420, 482, 484-486, 493-502
See application file for complete search history.

(56) **References Cited**

U.S. PATENT DOCUMENTS

1,263,825	A *	4/1918	Waugh	5/413 R
2,525,713	A *	10/1950	North	5/494
2,627,617	A *	2/1953	Avila	5/494
3,774,249	A *	11/1973	Ybarra et al.	5/419
4,161,044	A *	7/1979	Bogle	5/494
4,241,466	A *	12/1980	Mendyk	5/497
5,901,389	A *	5/1999	Manner	5/497
6,049,925	A *	4/2000	Lewis	5/497
D477,958	S *	8/2003	Barker et al.	D6/596
7,086,102	B1 *	8/2006	Frazier	5/502

7,810,184	B2 *	10/2010	McCollum	5/500
2005/0166319	A1 *	8/2005	Lamke	5/413 AM
2009/0044337	A1 *	2/2009	McKee	5/496

* cited by examiner

Primary Examiner — Mary Ann Calabrese

(74) *Attorney, Agent, or Firm* — QuickPatents, Inc.

(57) **CLAIM**

I claim the ornamental design for a combination sheet and blanket, as shown and described.

DESCRIPTION

FIG. 1 is a perspective view of a combination sheet and blanket, showing my new design;

FIG. 2 is a perspective view thereof shown in an extended position;

FIG. 3 is a top plan view of FIG. 2;

FIG. 4 is a bottom plan view of FIG. 2;

FIG. 5 is a left-side elevational view of FIG. 2;

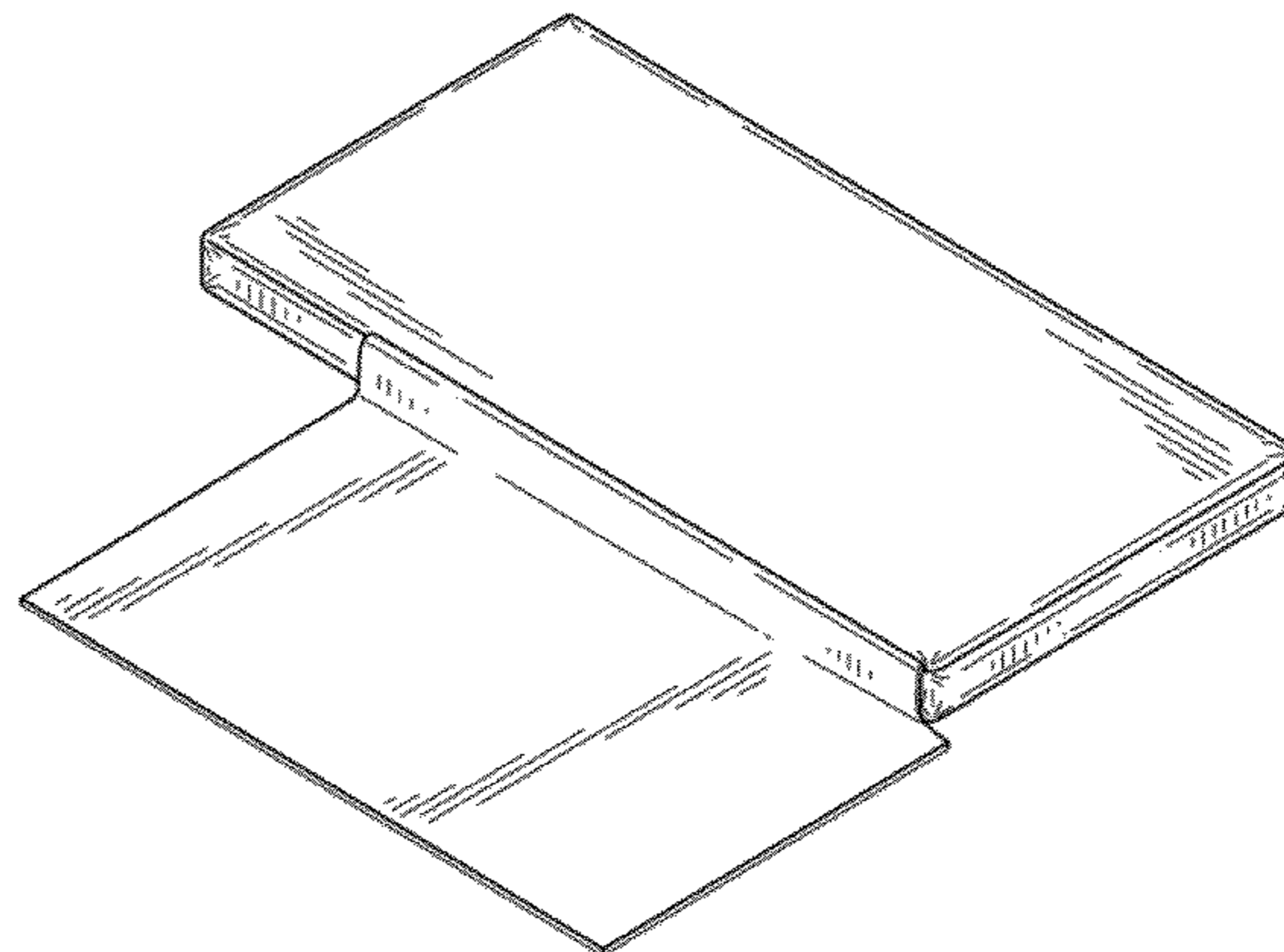
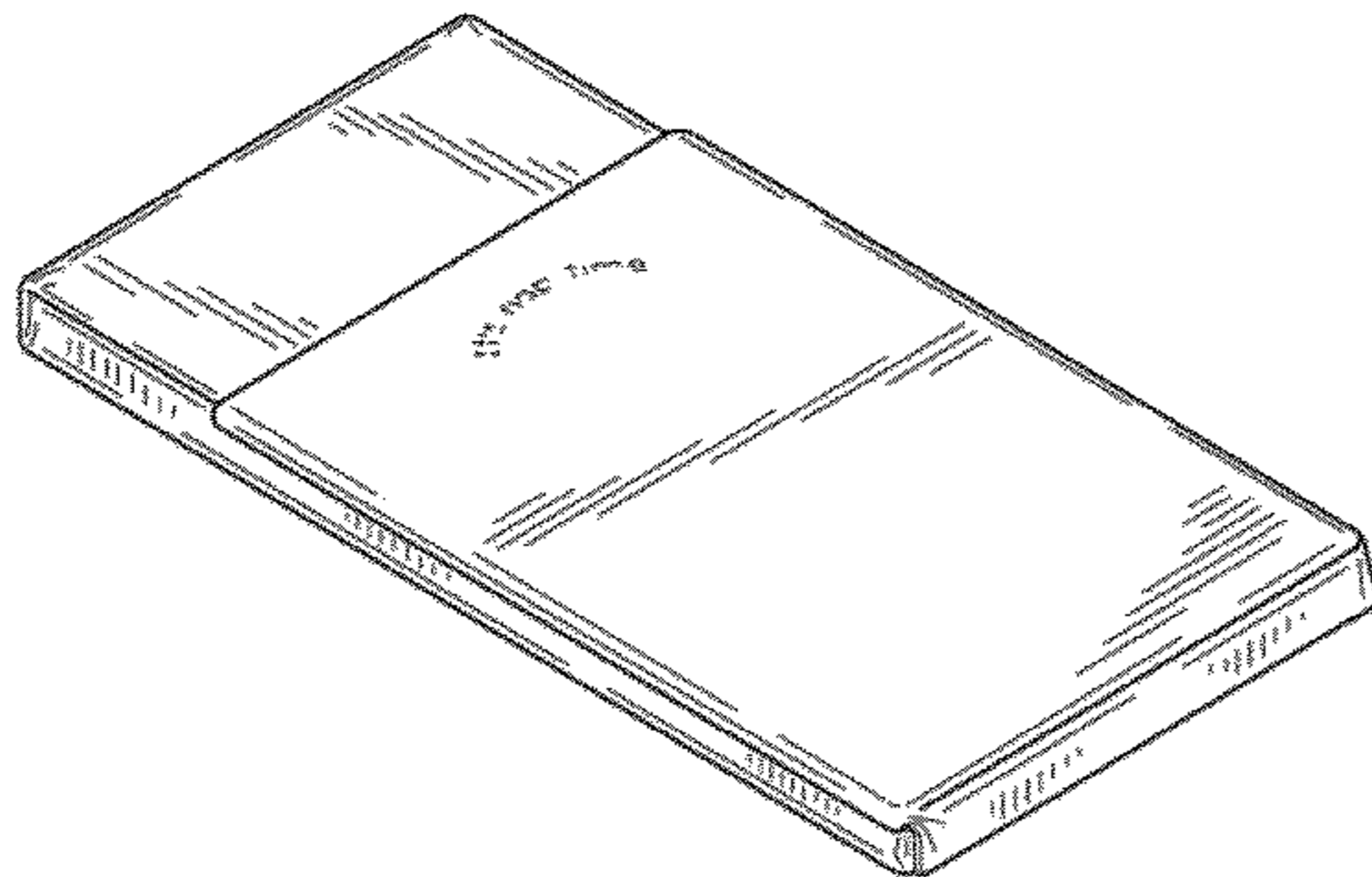
FIG. 6 is a right-side elevational view of FIG. 2;

FIG. 7 is a rear view of FIG. 2; and,

FIG. 8 is a front view of FIG. 2.

The broken lines showing a logo in FIG. 1 depict environmental matter and form no part of the claimed design.

1 Claim, 3 Drawing Sheets



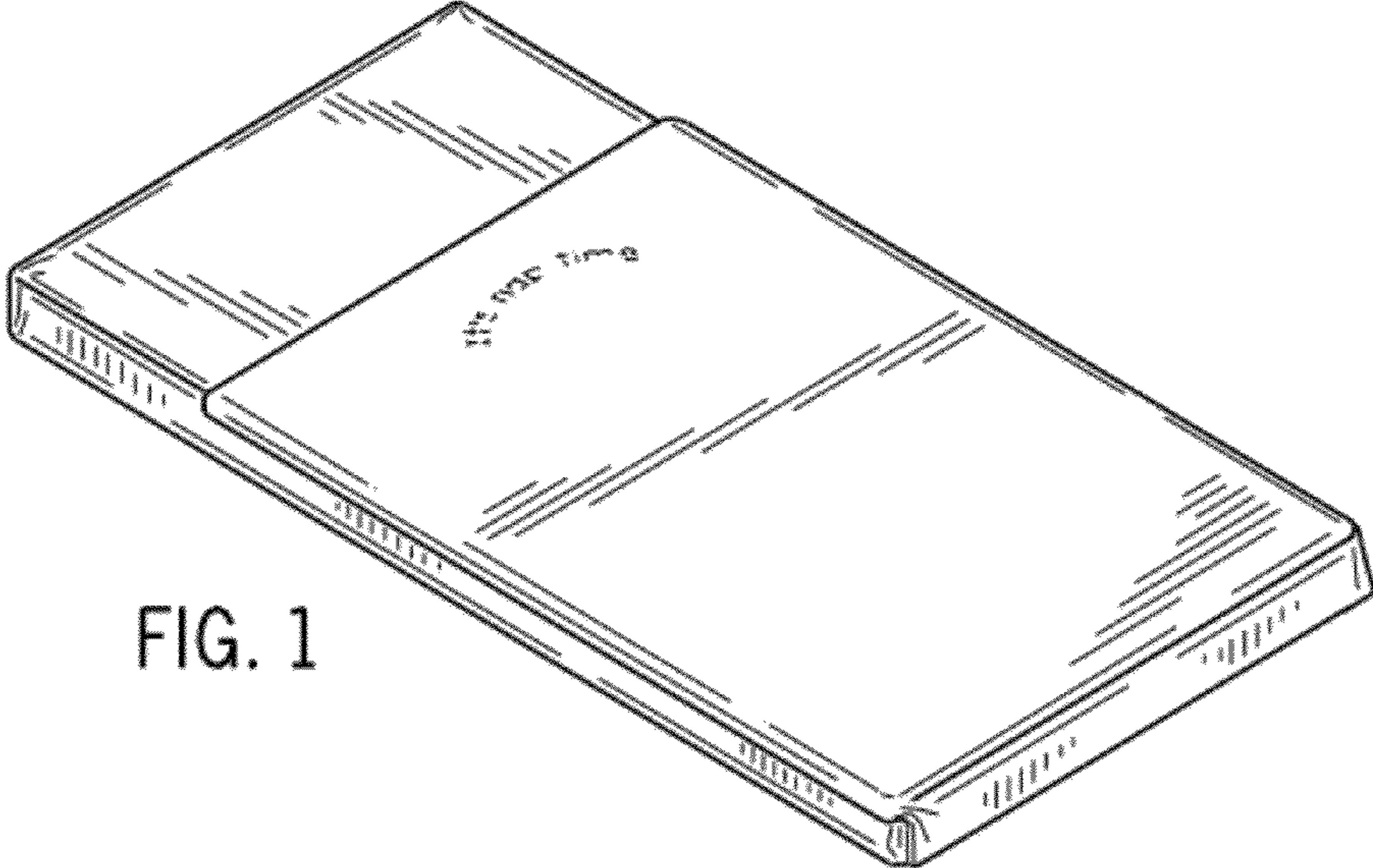


FIG. 1

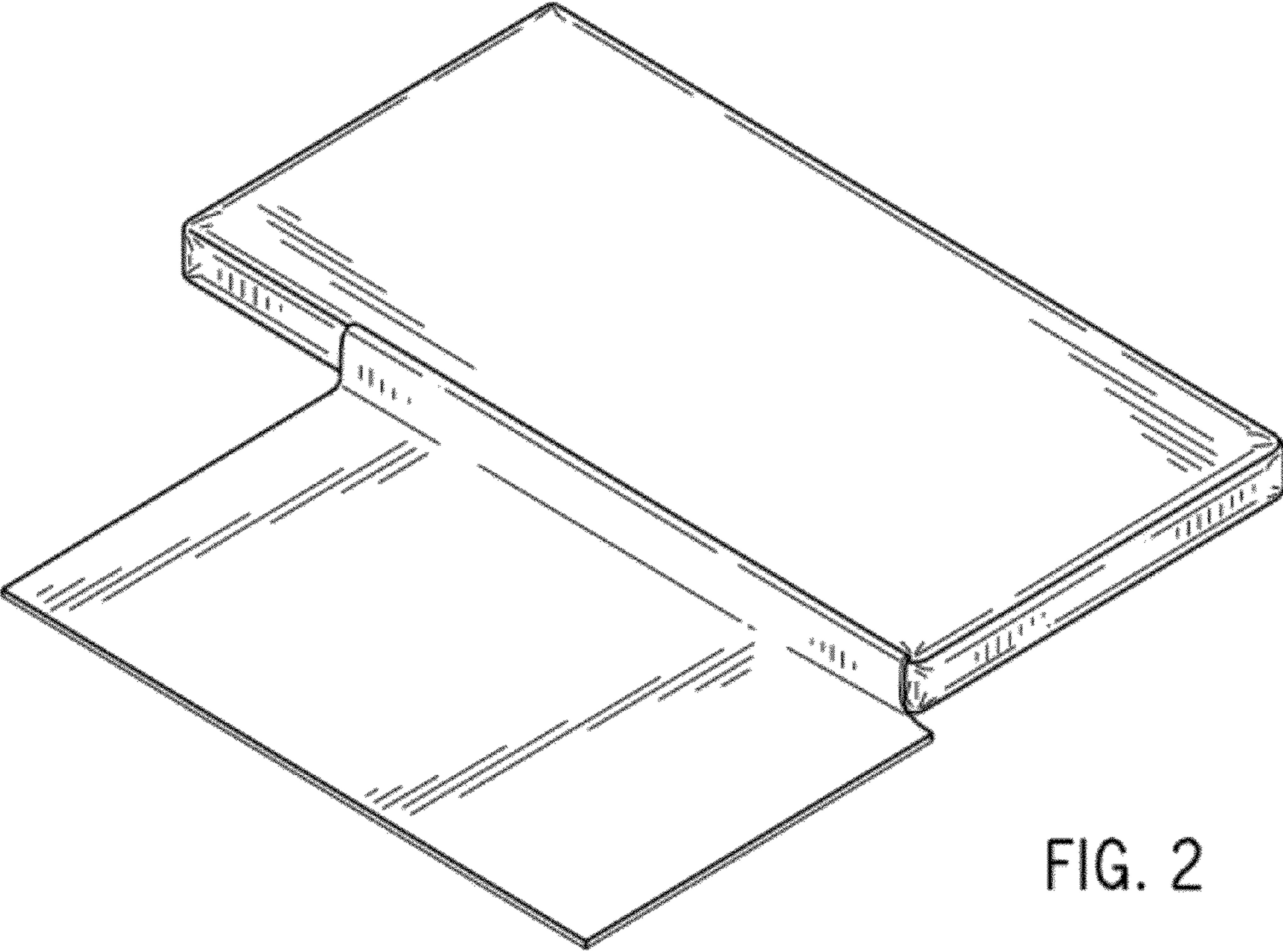


FIG. 2

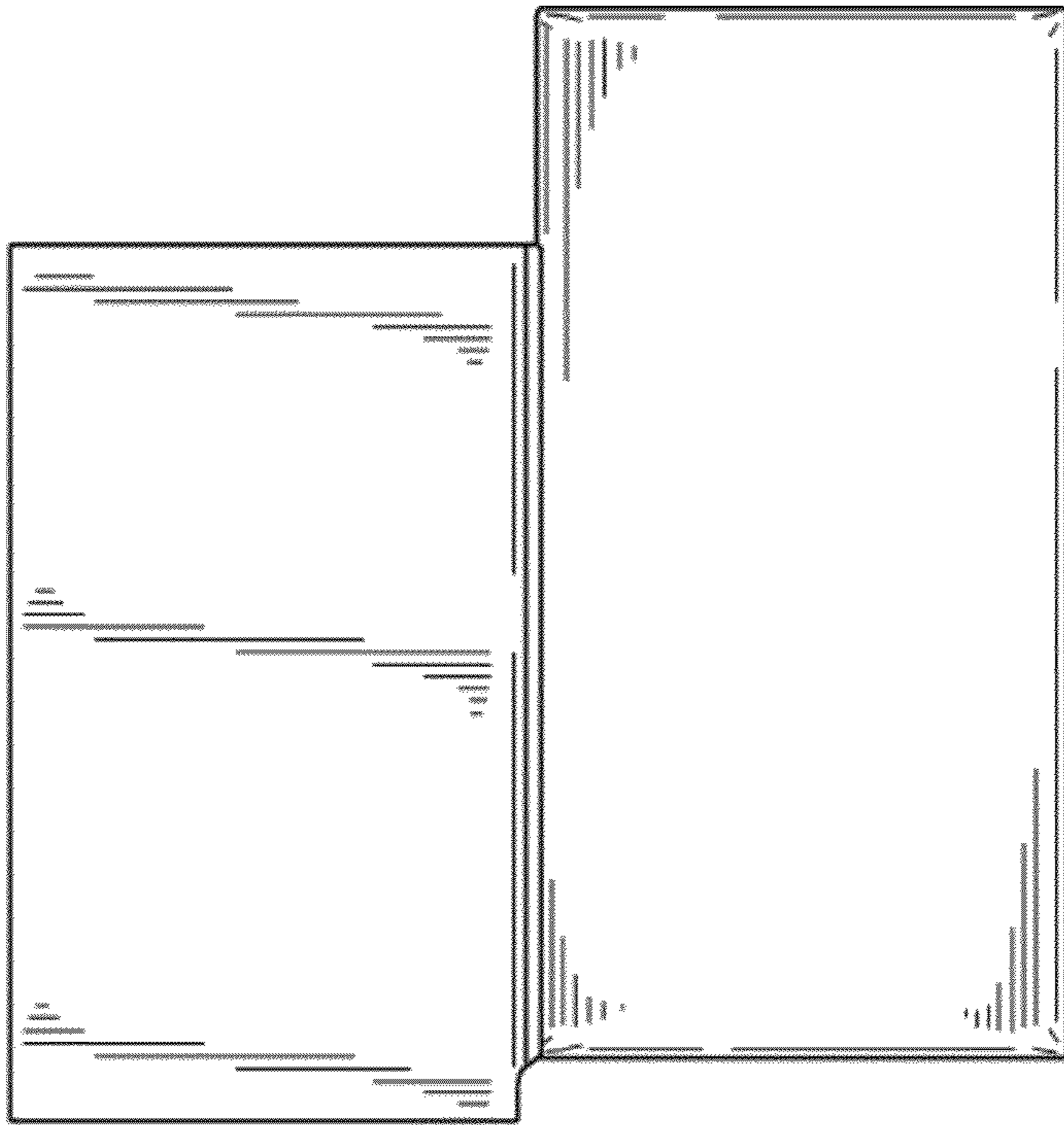


FIG. 3

FIG. 4

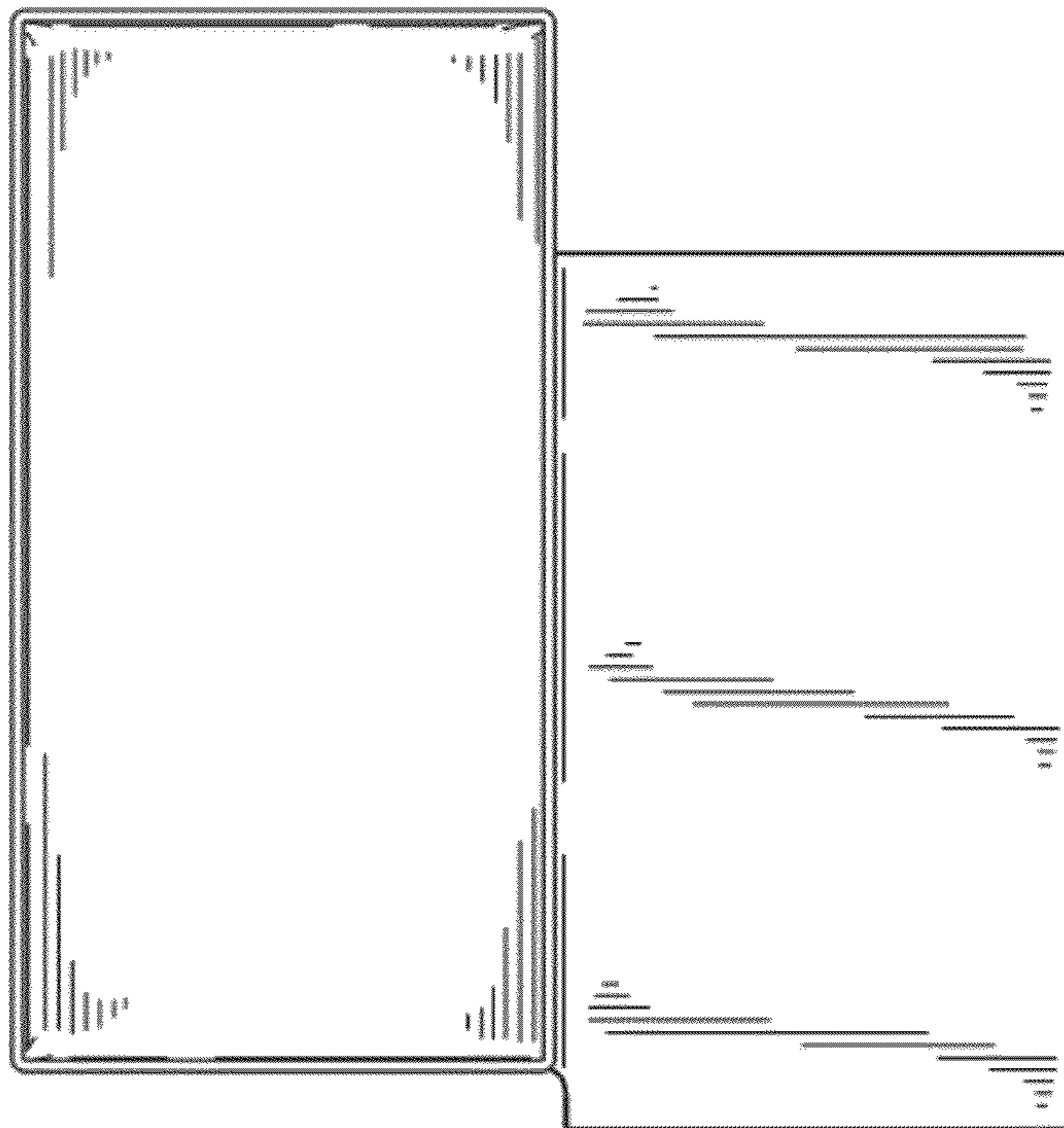




FIG. 5



FIG. 6



FIG. 7



FIG. 8