



US00D666860S

(12) **United States Design Patent**  
**Lubart**

(10) **Patent No.:** **US D666,860 S**

(45) **Date of Patent:** **\*\* Sep. 11, 2012**

(54) **HYDRODYNAMIC FLOOR MAT**

(75) **Inventor:** **Randy N. Lubart**, Palm Beach Gardens,  
FL (US)

(73) **Assignee:** **Shoes For Crews, LLC**, West Palm  
Beach, FL (US)

(\*\*) **Term:** **14 Years**

(21) **Appl. No.:** **29/353,841**

(22) **Filed:** **Jan. 14, 2010**

(51) **LOC (9) Cl.** ..... **06-11**

(52) **U.S. Cl.** ..... **D6/583**

(58) **Field of Classification Search** ..... D5/59;  
D6/580-595, 604; D12/203; D20/10; D21/307,  
D21/792; D29/109; 5/216, 217; 428/159,  
428/407, 423.9, 903.3

See application file for complete search history.

(56) **References Cited**

**U.S. PATENT DOCUMENTS**

D179,858 S *	3/1957	Moor, Jr.	.....	D6/583
D356,228 S *	3/1995	Sano	.....	D6/583
D483,596 S *	12/2003	Wildstein et al.	.....	D6/582
D543,765 S *	6/2007	Allen	.....	D6/582
D591,096 S *	4/2009	Lubart	.....	D6/582

D613,985 S *	4/2010	Schwartz	.....	D6/588
D626,773 S *	11/2010	Oster	.....	D6/582
D628,003 S *	11/2010	Venugopal	.....	D6/583
2009/0152427 A1 *	6/2009	Kuo	.....	248/346.01

\* cited by examiner

*Primary Examiner* — Patricia Palasik

(74) *Attorney, Agent, or Firm* — McHale & Slavin, P.A.

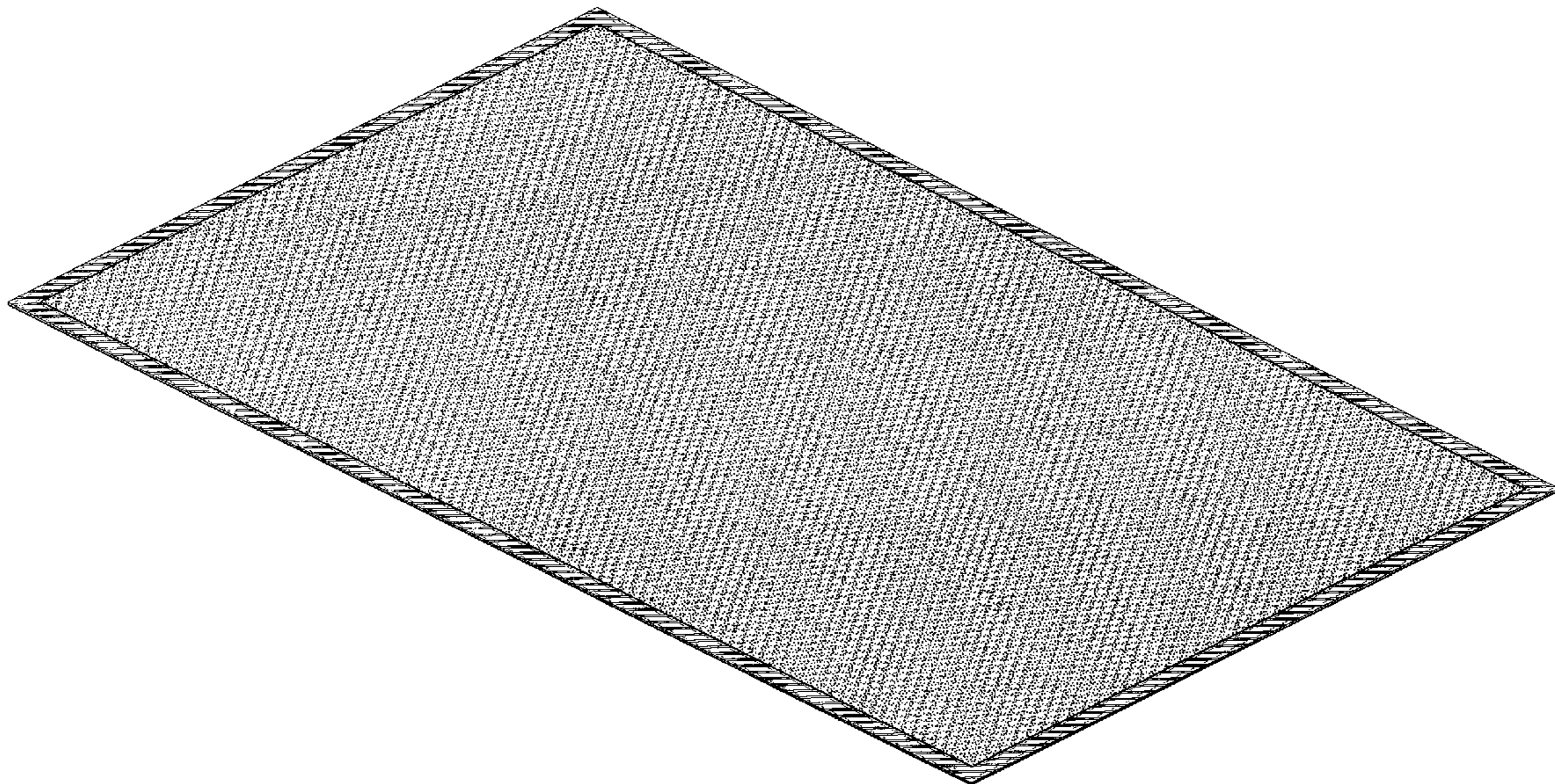
(57) **CLAIM**

The ornamental design for a hydrodynamic floor mat, as shown and described.

**DESCRIPTION**

FIG. 1 is a top perspective view of the hydrodynamic floor mat of the instant invention;  
 FIG. 2 is a top view thereof;  
 FIG. 3 is a bottom view thereof;  
 FIG. 4 is a front elevational view thereof;  
 FIG. 5 is a rear elevational view thereof;  
 FIG. 6 is a right side elevational view thereof;  
 FIG. 7 is a left side elevational view thereof;  
 FIG. 8 is a detailed, left, bottom corner of the FIG. 2 top view;  
 and,  
 FIG. 9 is a detailed, left, bottom corner view of the FIG. 3 bottom view.

**1 Claim, 6 Drawing Sheets**



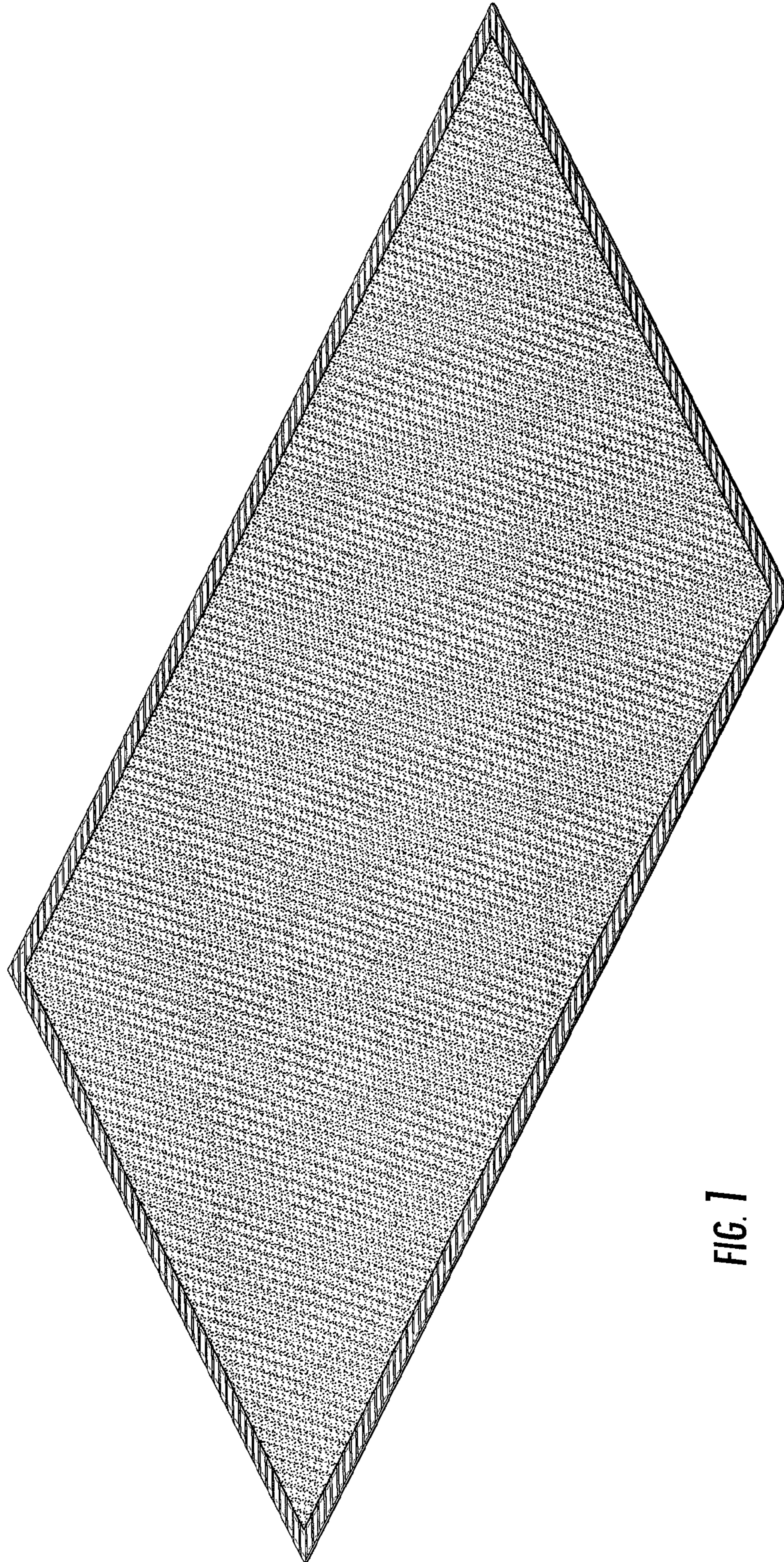


FIG. 1

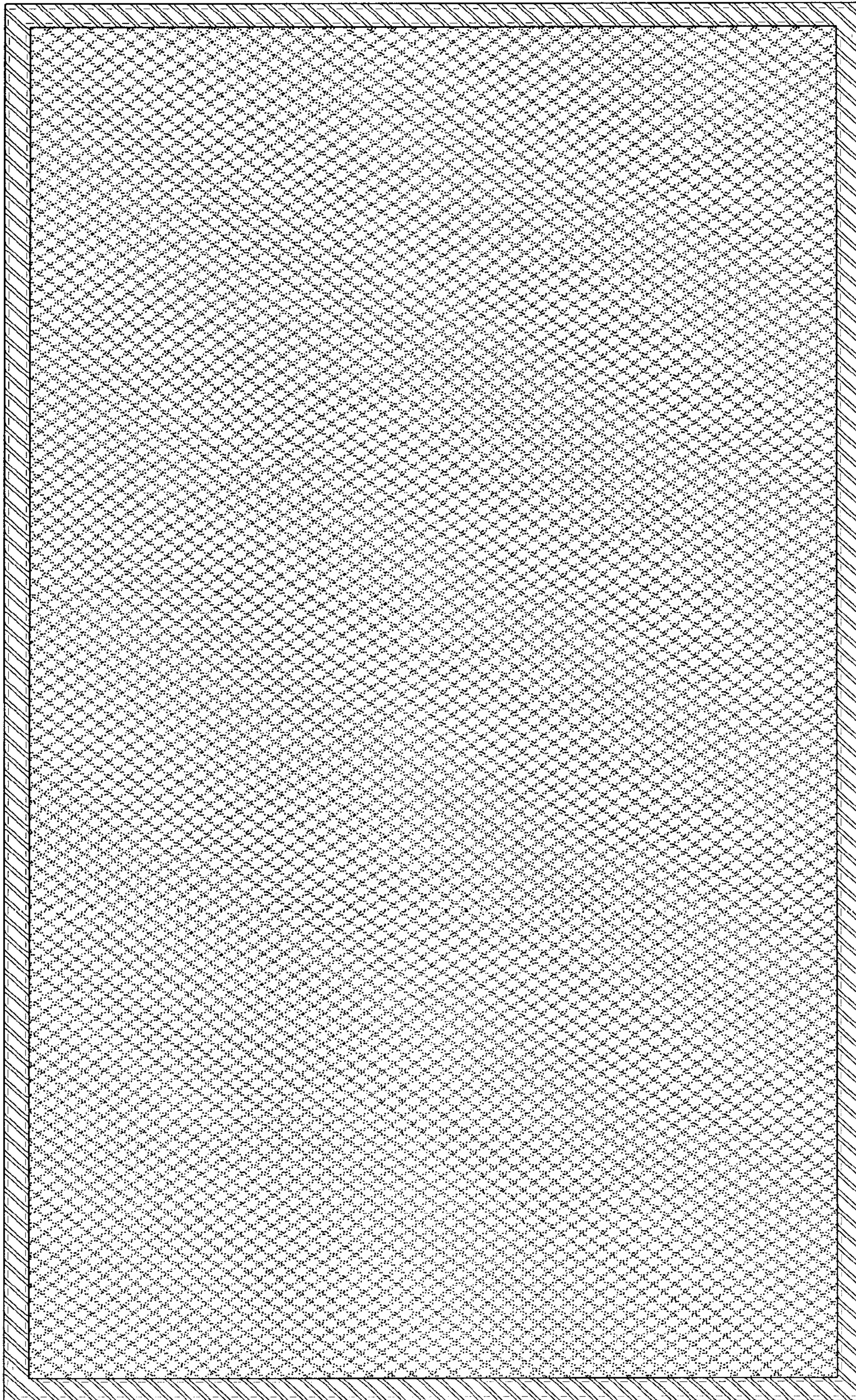
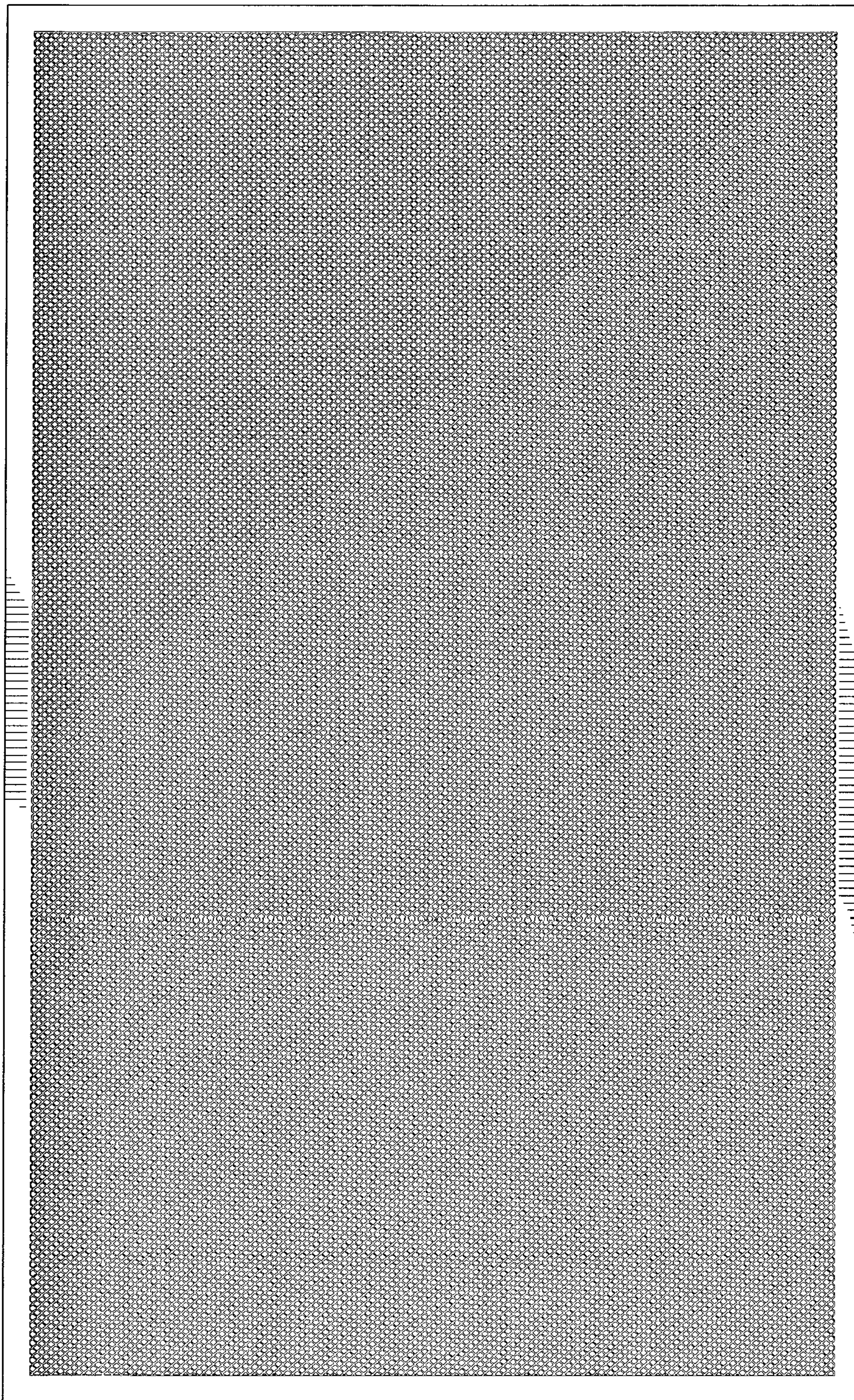


FIG. 2



**FIG. 3**



FIG. 4



FIG. 5



FIG. 6



FIG. 7

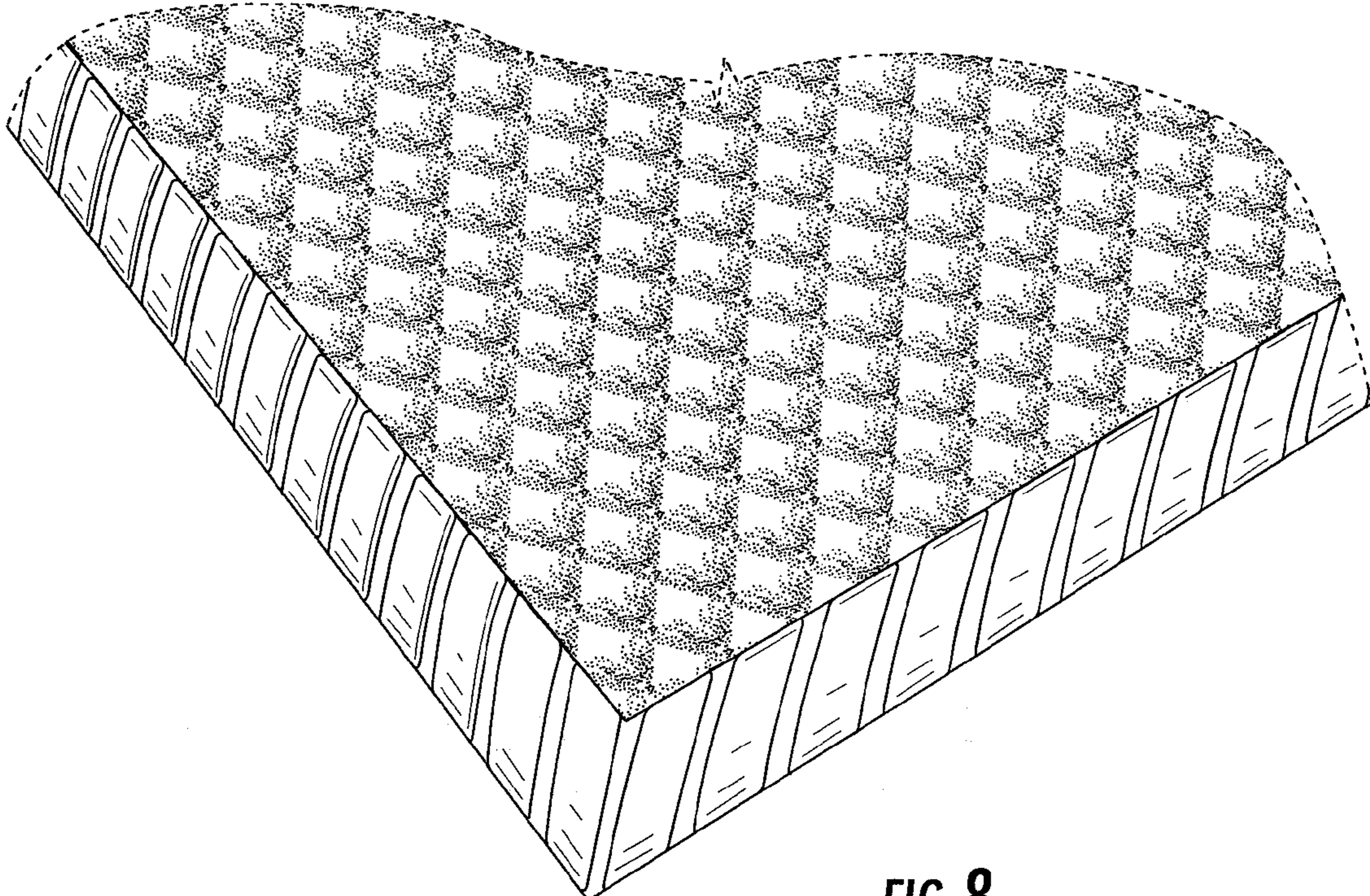


FIG. 8

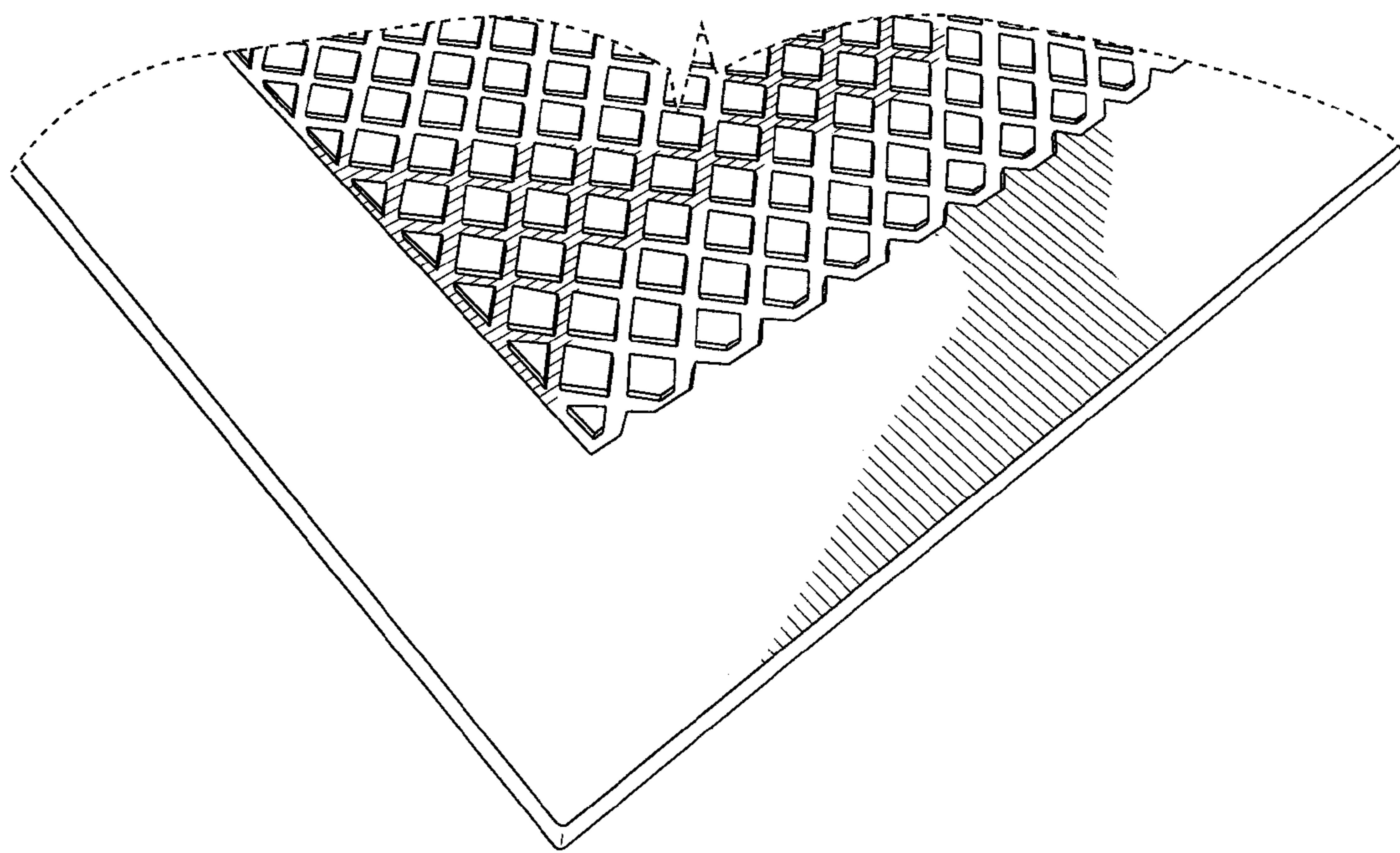


FIG. 9