



US00D666859S

(12) **United States Design Patent**
Goodman et al.

(10) **Patent No.:** **US D666,859 S**

(45) **Date of Patent:** **** Sep. 11, 2012**

(54) **KEY RACK**

(75) Inventors: **Sheldon H. Goodman**, Solon, OH (US);
Elizabeth A. Cho, Evanston, IL (US)

(73) Assignee: **Spectrum Diversified Designs, Inc.**,
Streetsboro, OH (US)

(**) Term: **14 Years**

(21) Appl. No.: **29/413,722**

(22) Filed: **Feb. 18, 2012**

(51) **LOC (9) Cl.** **06-04**

(52) **U.S. Cl.** **D6/566**

(58) **Field of Classification Search** D6/512-514,
D6/566, 553, 567, 569, 315, 320, 327; D8/349,
D8/354, 367, 372; 248/301-304, 309.1,
248/309.2; 211/13.1, 30, 32, 70.6, 56.01,
211/87.01, 181.1

See application file for complete search history.

(56) **References Cited**

U.S. PATENT DOCUMENTS

D337,345 S *	7/1993	Gracie	D6/566
D363,208 S *	10/1995	Seidel	D6/566
D465,406 S *	11/2002	Goodman et al.	D6/566
D466,396 S *	12/2002	Snell	D6/566
D484,345 S *	12/2003	Clucas	D6/566
D499,286 S *	12/2004	Harwanko	D6/566
D555,366 S *	11/2007	Goodman et al.	D6/566
D565,882 S *	4/2008	Goodman et al.	D6/566
D575,973 S *	9/2008	Goodman et al.	D6/566
D634,938 S *	3/2011	Guindi	D6/566
D643,663 S *	8/2011	Goodman et al.	D6/566

D645,685 S *	9/2011	Goodman et al.	D6/566
D649,822 S *	12/2011	Goodman et al.	D6/566
D654,737 S *	2/2012	Guindi	D6/566

OTHER PUBLICATIONS

Curved Wrought Iron Wall Mounted Pot Rack, www.guadalupeforgedwroughtiron.ecrater.com.

* cited by examiner

Primary Examiner — Brian N Vinson

(74) *Attorney, Agent, or Firm* — Pearne & Gordon LLP

(57) **CLAIM**

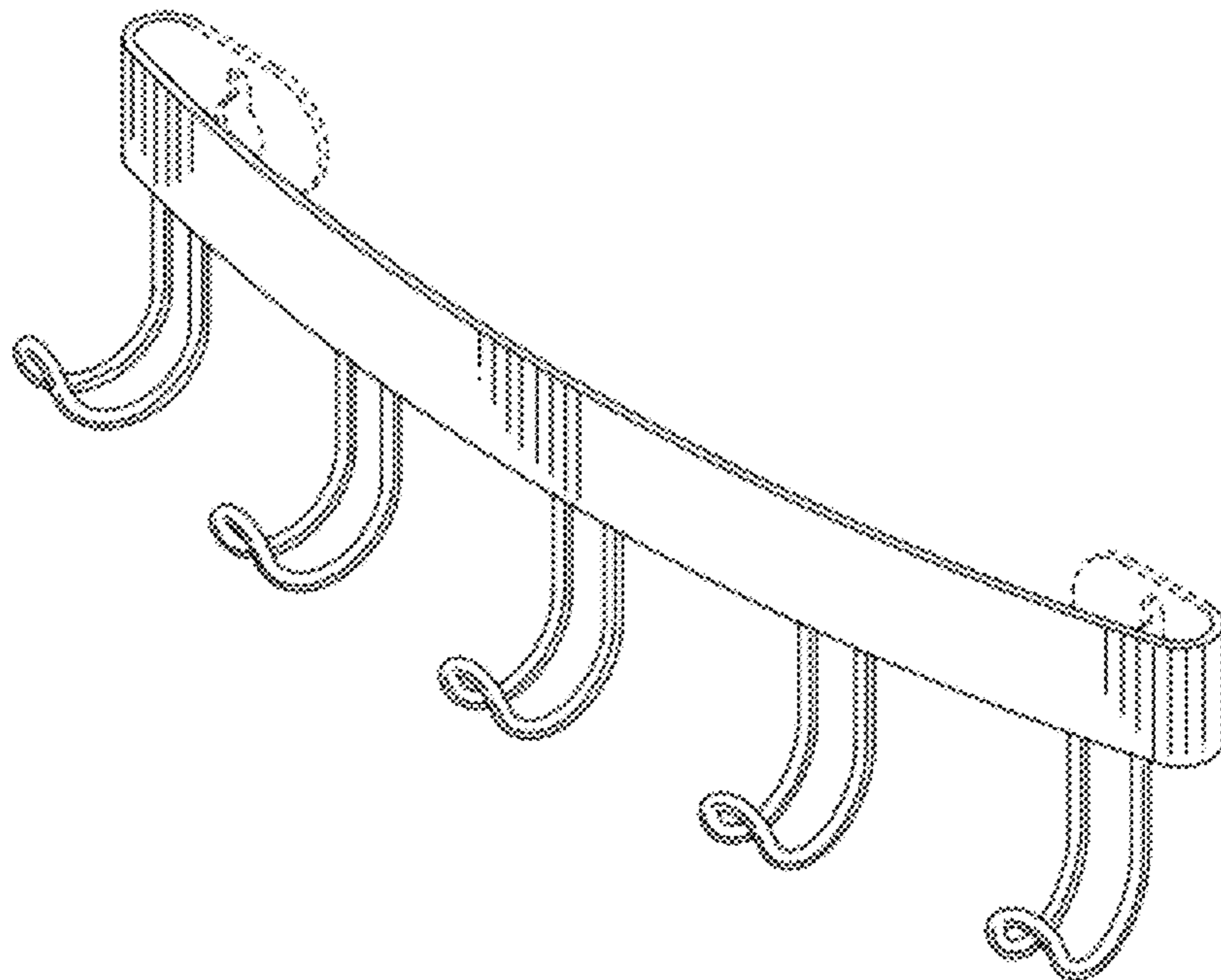
The ornamental design for a key rack, as shown and described.

DESCRIPTION

FIG. 1 is a perspective view of a key rack showing our new design;
 FIG. 2 is a front elevational view thereof;
 FIG. 3 is a rear elevational view thereof;
 FIG. 4 is a side elevational view thereof;
 FIG. 5 is a top plan view thereof;
 FIG. 6 is a bottom plan view thereof;
 FIG. 7 is a perspective view of a second embodiment of the design shown in FIG. 1;
 FIG. 8 is a top plan view thereof;
 FIG. 9 is a front elevational view thereof;
 FIG. 10 is a side elevational view thereof;
 FIG. 11 is a bottom plan view thereof; and,
 FIG. 12 is a rear elevational view thereof.

The broken-line disclosure in the views is understood to represent unclaimed portions of the article in which the claimed design is embodied.

1 Claim, 5 Drawing Sheets



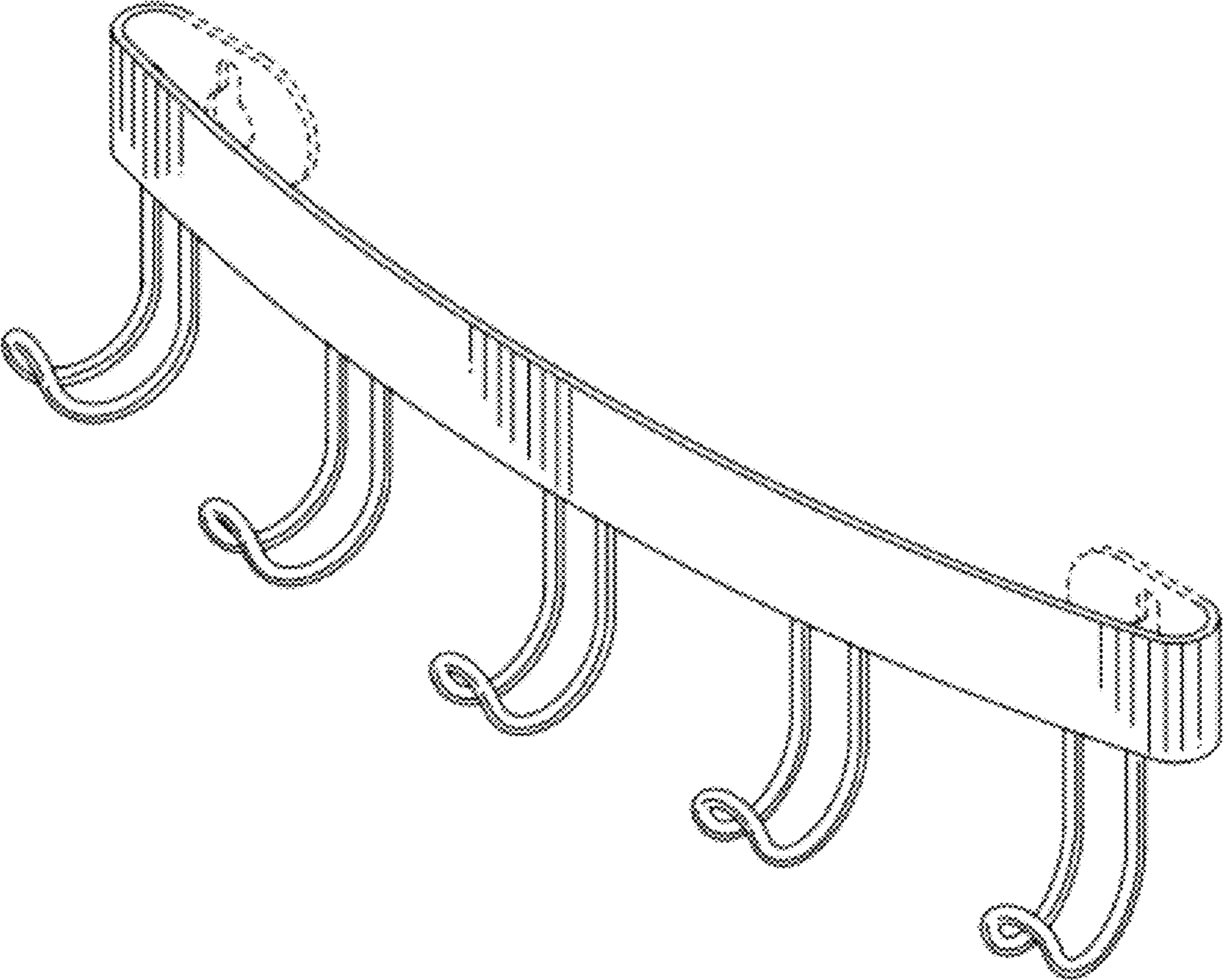


FIG. 1

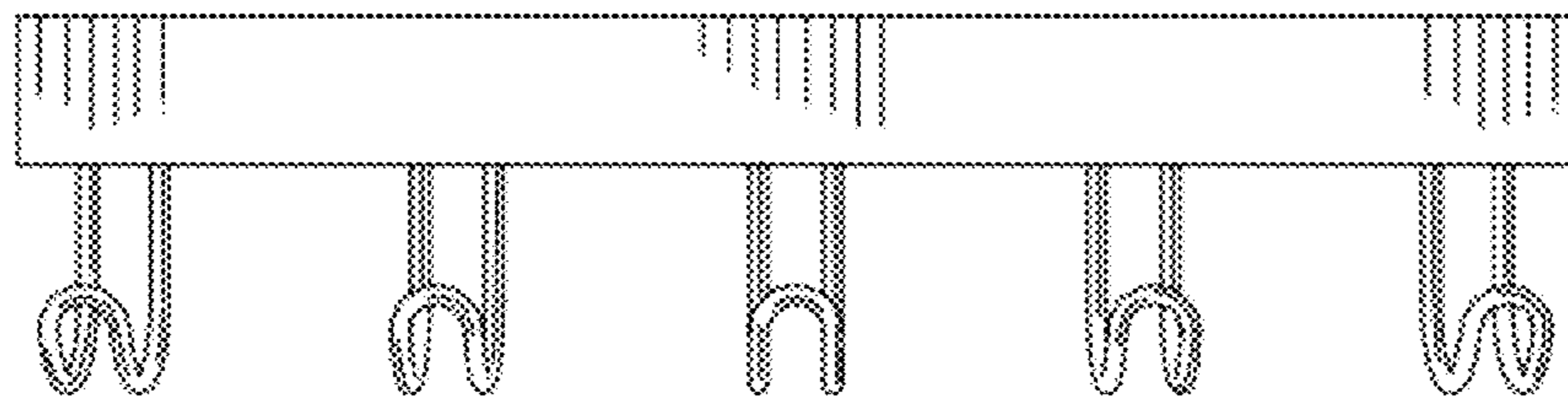


FIG. 2

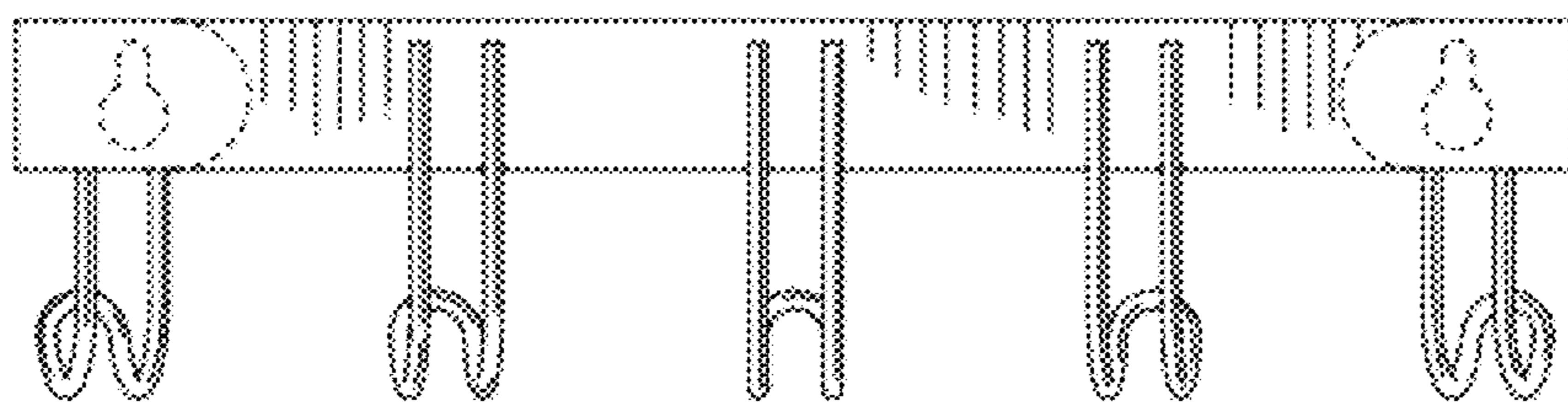


FIG. 3

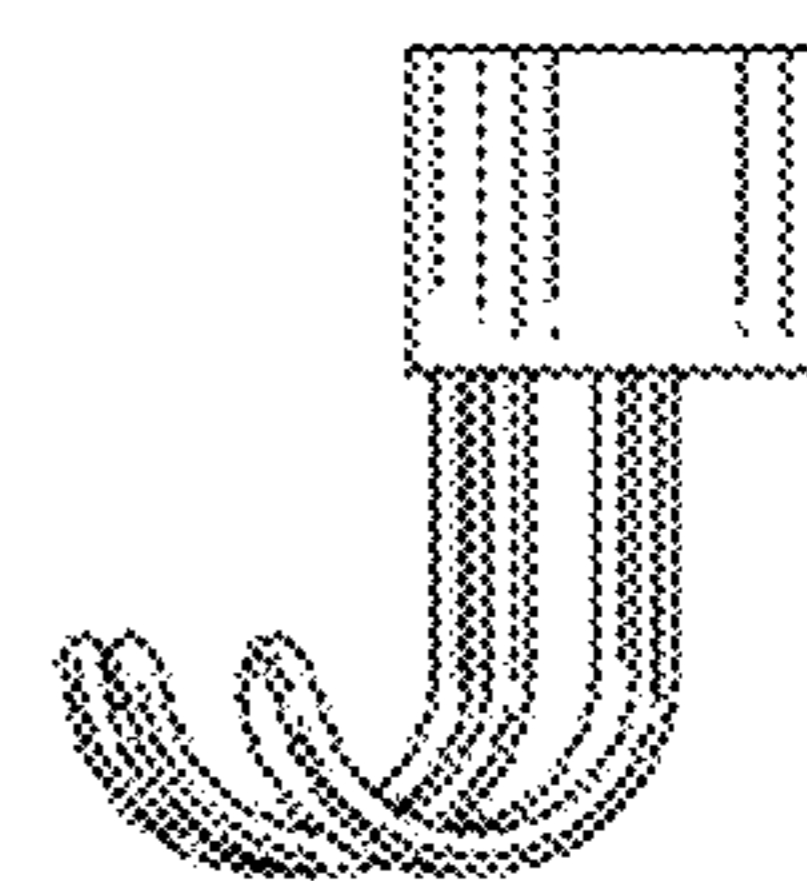


FIG. 4

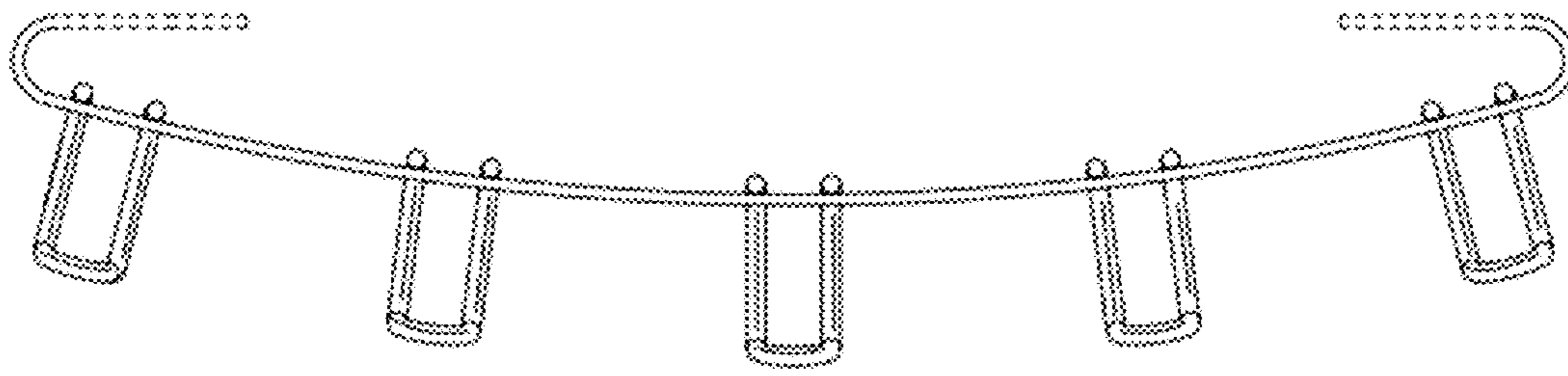


FIG. 5

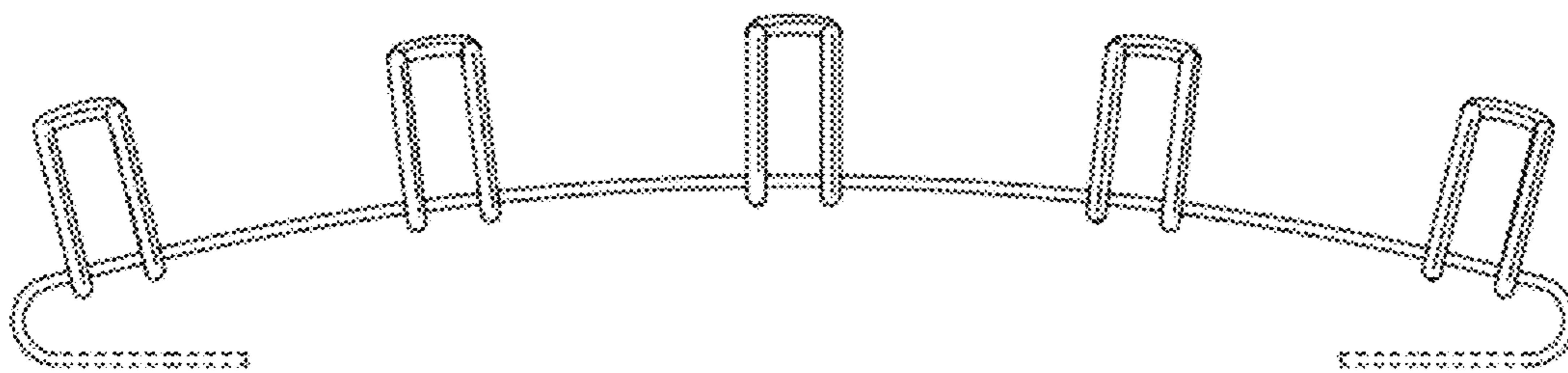


FIG. 6

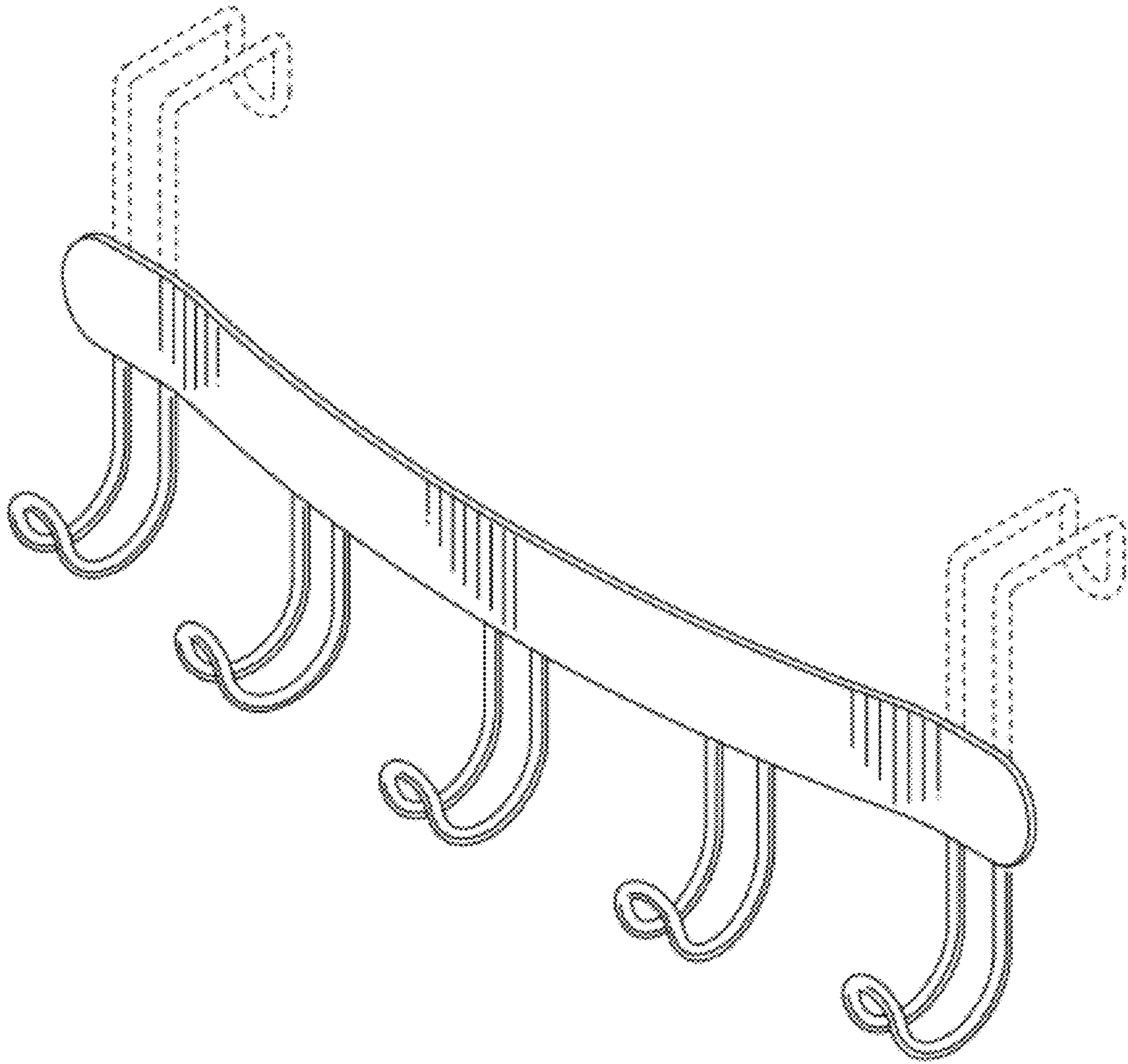


FIG. 7

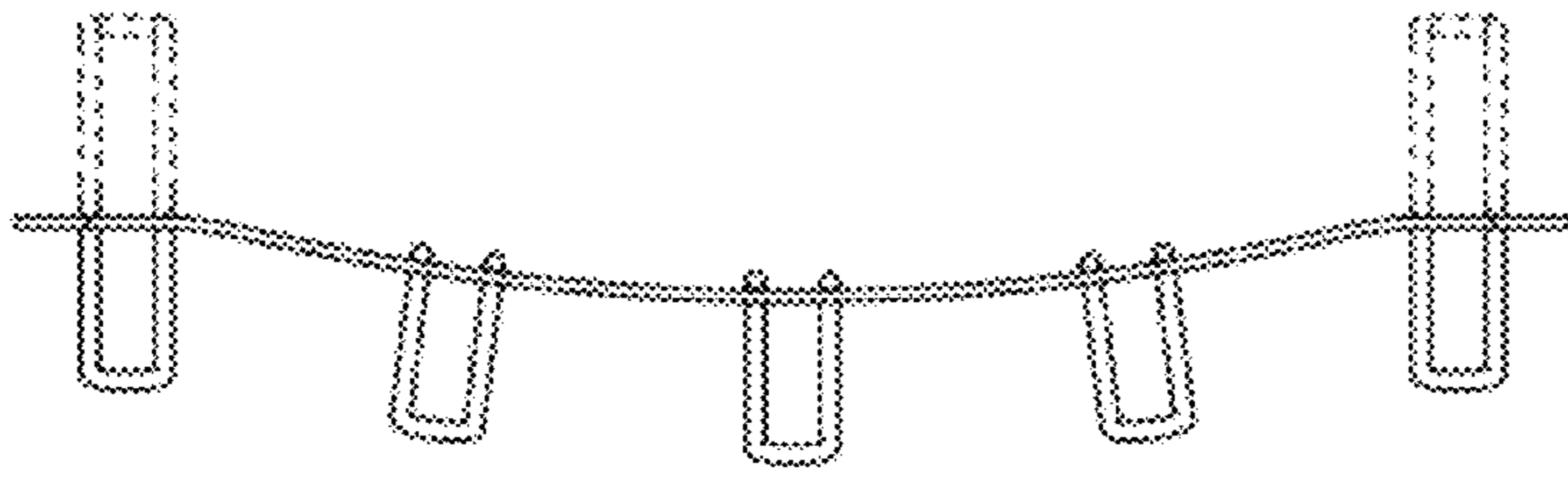


FIG. 8

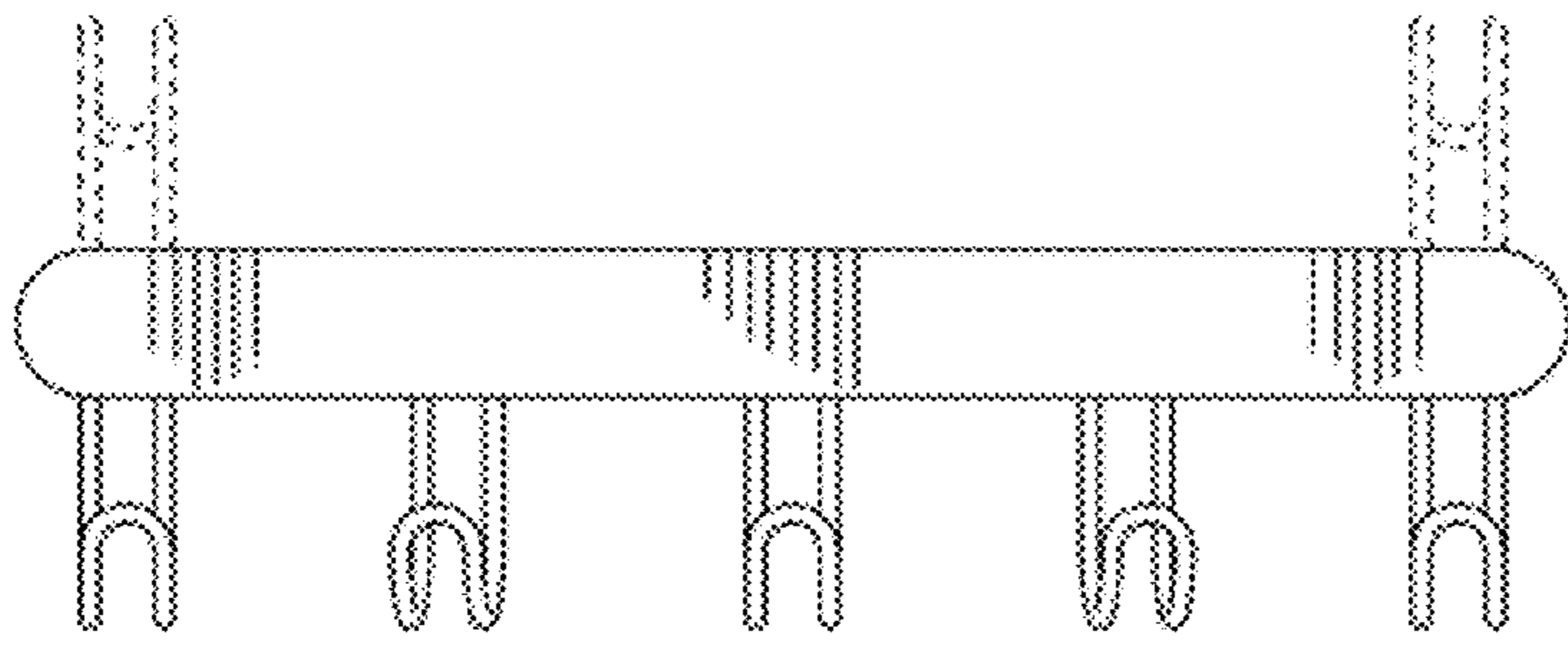


FIG. 9

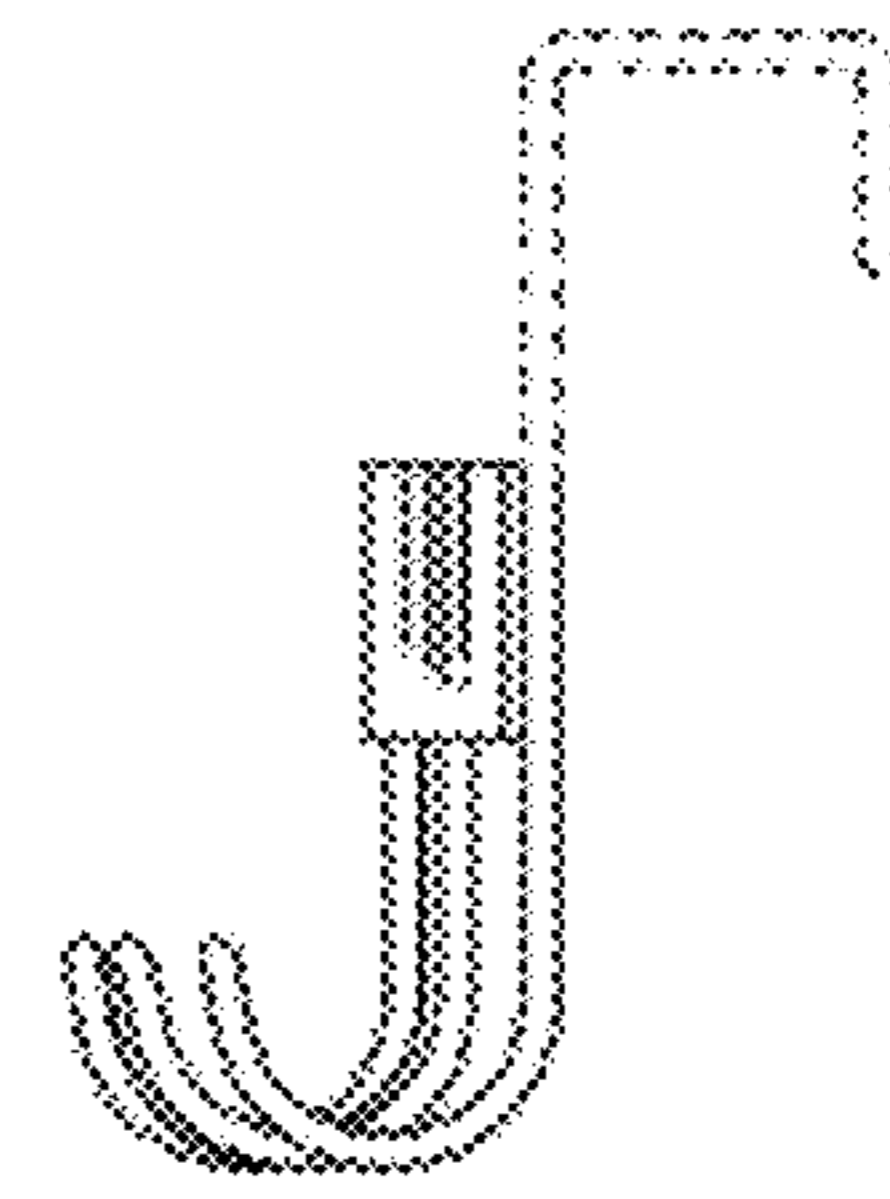


FIG. 10

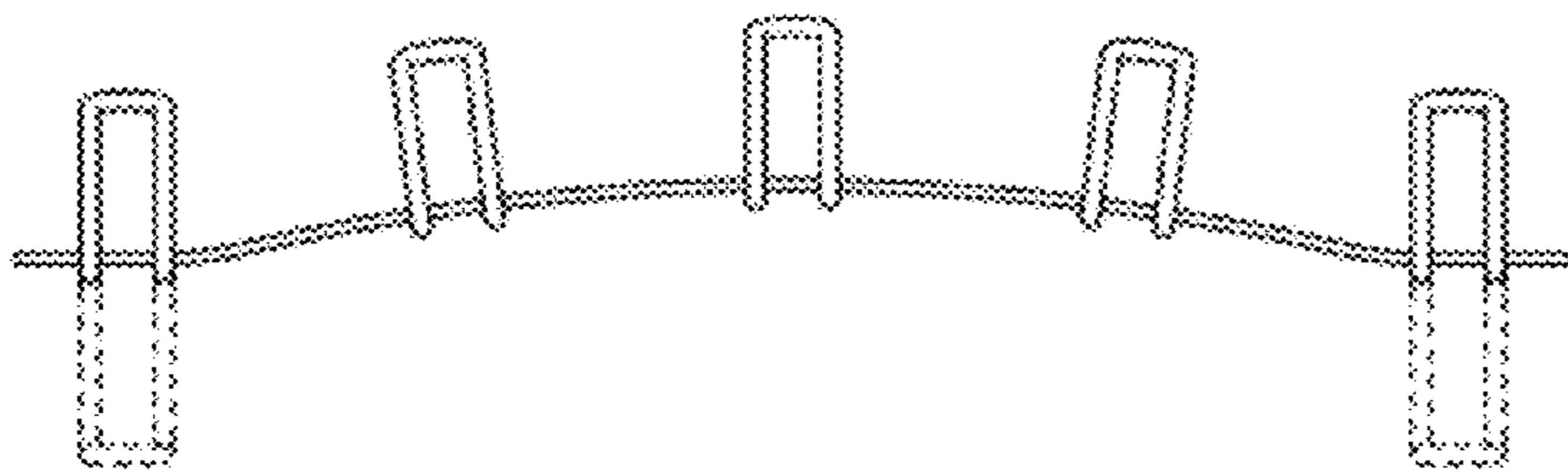


FIG. 11

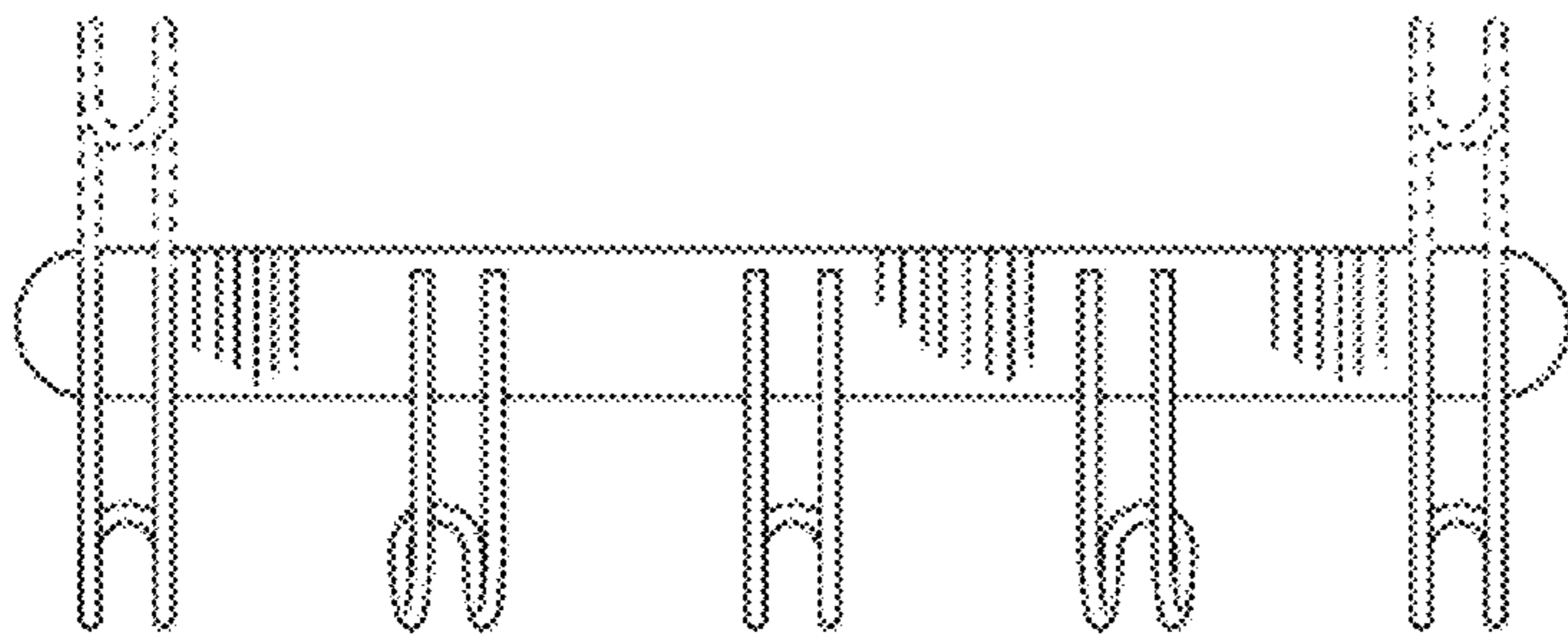


FIG. 12