



US00D666858S

(12) **United States Design Patent**
Goodman

(10) **Patent No.:** **US D666,858 S**
(45) **Date of Patent:** **** Sep. 11, 2012**

(54) **OVER-THE-CABINET ORGANIZER BAR**
(75) Inventor: **Sheldon H. Goodman**, Solon, OH (US)
(73) Assignee: **Spectrum Diversified Designs, Inc.**,
Streetsboro, OH (US)
(**) Term: **14 Years**
(21) Appl. No.: **29/412,705**

D643,663 S * 8/2011 Goodman et al. D6/566
D645,685 S * 9/2011 Goodman et al. D6/566
D649,822 S * 12/2011 Goodman et al. D6/566
D654,737 S * 2/2012 Guindi D6/566

(22) Filed: **Feb. 7, 2012**
(51) **LOC (9) Cl.** **06-04**
(52) **U.S. Cl.** **D6/566**
(58) **Field of Classification Search** D6/512-514,
D6/566, 553, 567, 569, 315, 320, 327; D8/349,
D8/354, 367, 372; 248/301-304, 309.1,
248/309.2; 211/13.1, 30, 32, 70.6, 56.01,
211/87.01, 181.1

OTHER PUBLICATIONS

Lynk Over the Door Bag Holder.
Interdesign Axis Over-The-Cabinet X7 Basket.
Richards Homewares 5 Hook and Basket Over-The-Door Coat Rack.

* cited by examiner

Primary Examiner — Brian N Vinson
(74) *Attorney, Agent, or Firm* — Pearne & Gordon LLP

See application file for complete search history.

(57) **CLAIM**
The ornamental design for an over-the-cabinet organizer bar,
as shown and described.

(56) **References Cited**

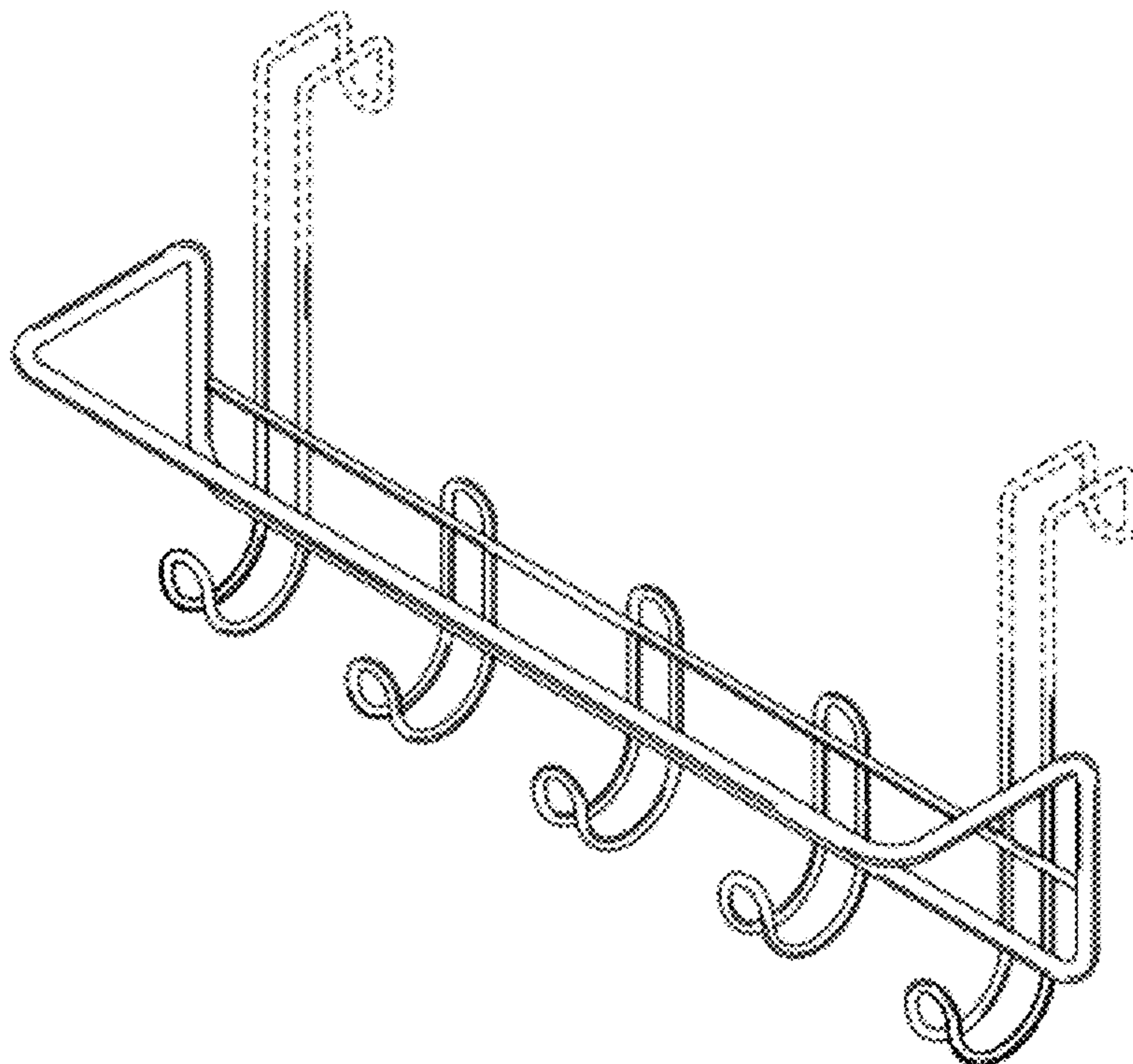
DESCRIPTION

U.S. PATENT DOCUMENTS

D337,345 S * 7/1993 Gracie D6/566
D363,208 S * 10/1995 Seidel D6/566
D465,406 S * 11/2002 Goodman et al. D6/566
D466,396 S * 12/2002 Snell D6/566
D484,345 S * 12/2003 Clucas D6/566
D499,286 S * 12/2004 Harwanko D6/566
D555,366 S * 11/2007 Goodman et al. D6/566
D565,882 S * 4/2008 Goodman et al. D6/566
D634,938 S * 3/2011 Guindi D6/566

FIG. 1 is a perspective view of an over-the-cabinet organizer bar showing my new design;
FIG. 2 is a rear elevational view thereof;
FIG. 3 is a front elevational view thereof;
FIG. 4 is a side elevational view thereof;
FIG. 5 is a bottom plan view thereof; and,
FIG. 6 is a top plan view thereof.
The broken-line disclosure in the views is understood to represent unclaimed portions of the article in which the claimed design is embodied.

1 Claim, 3 Drawing Sheets



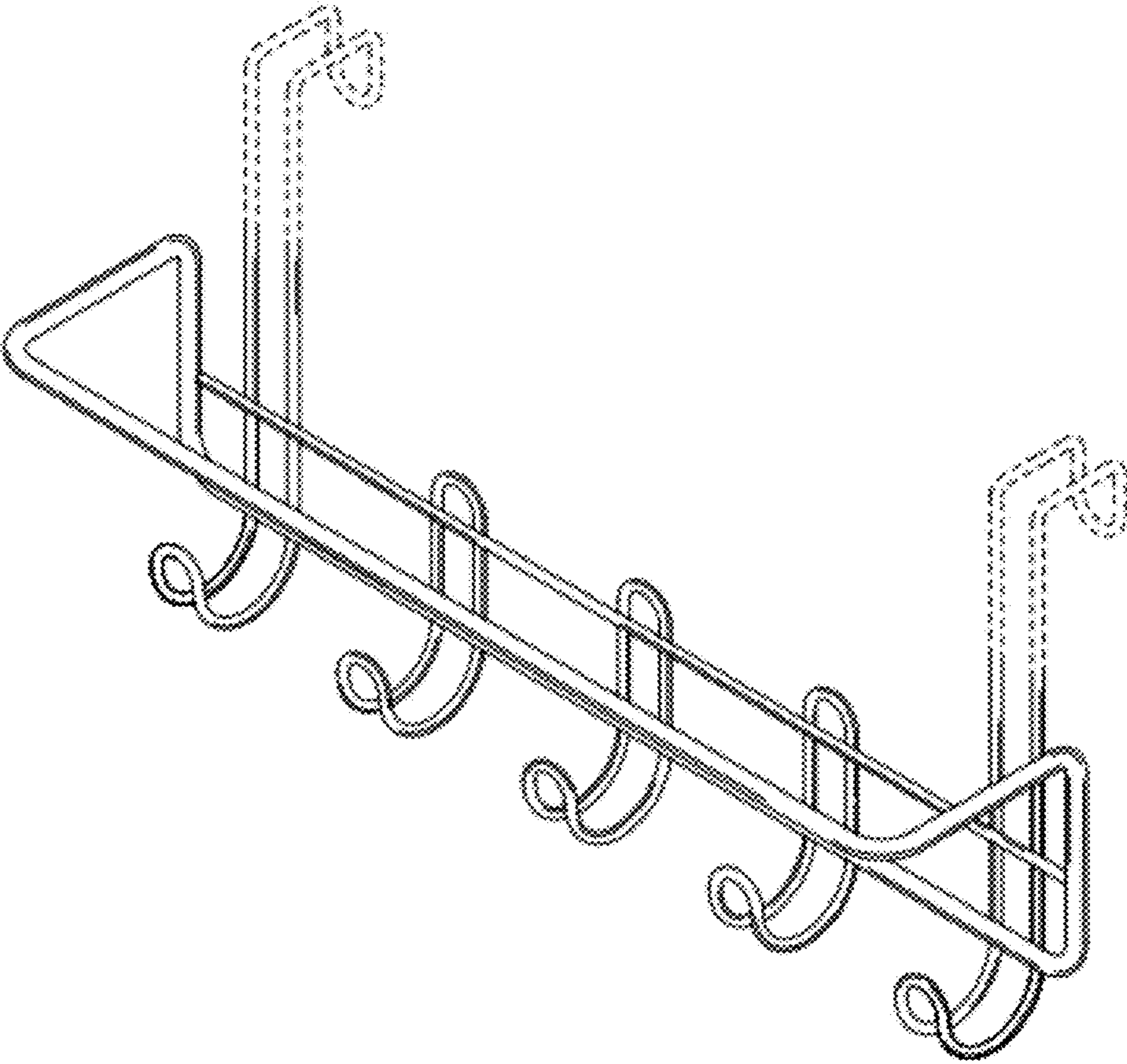


FIGURE 1

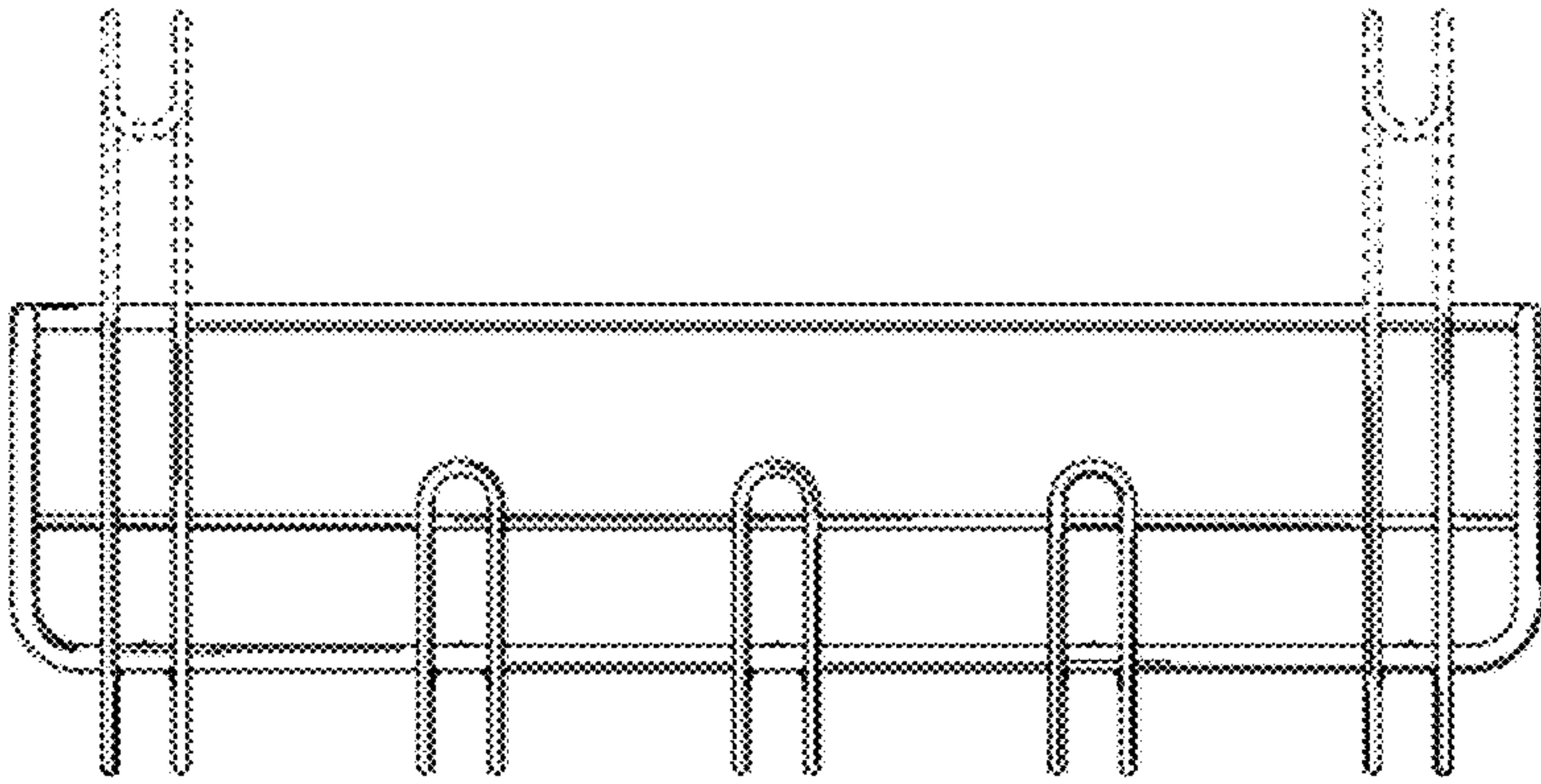


FIGURE 2

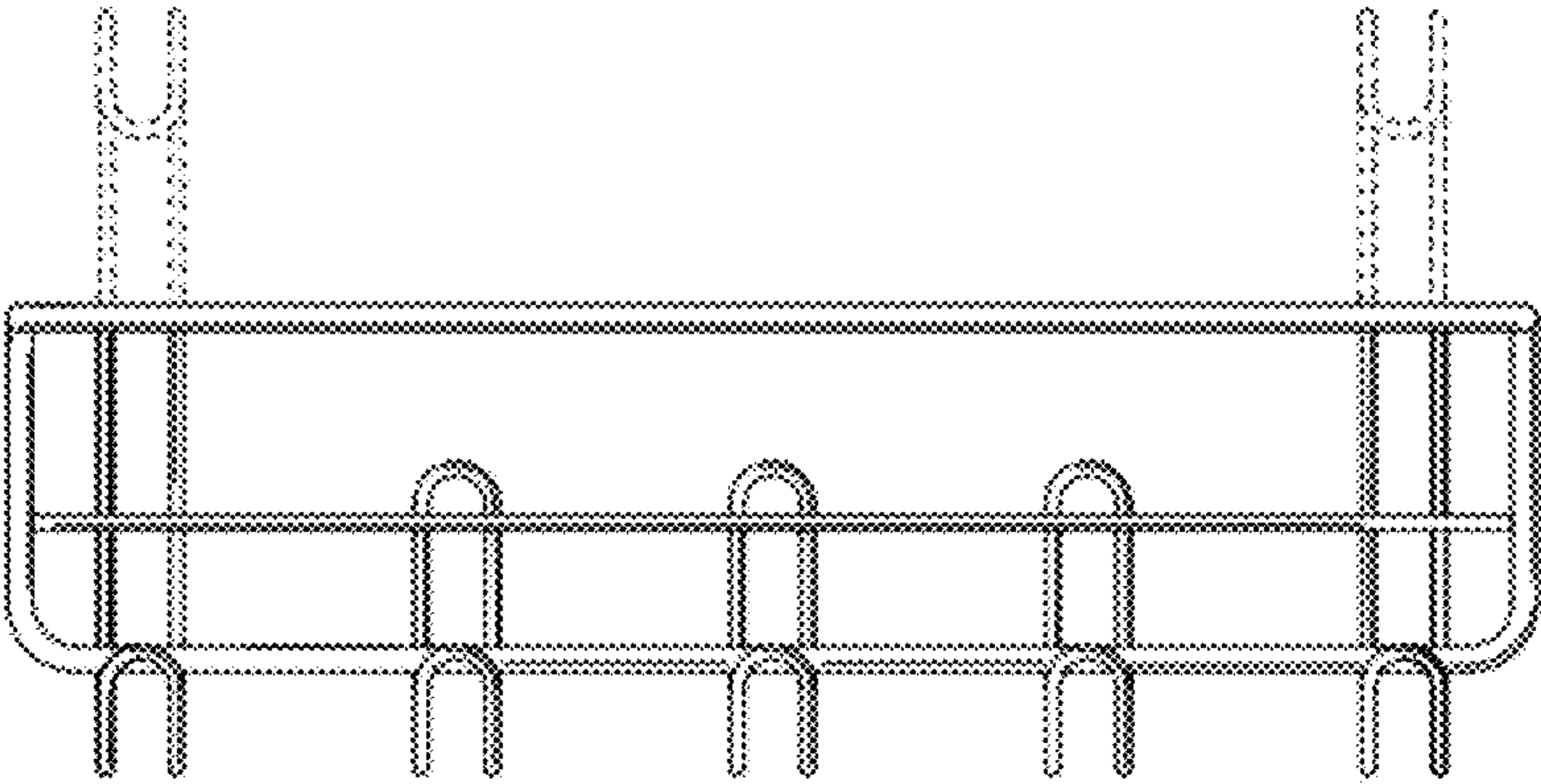


FIGURE 3

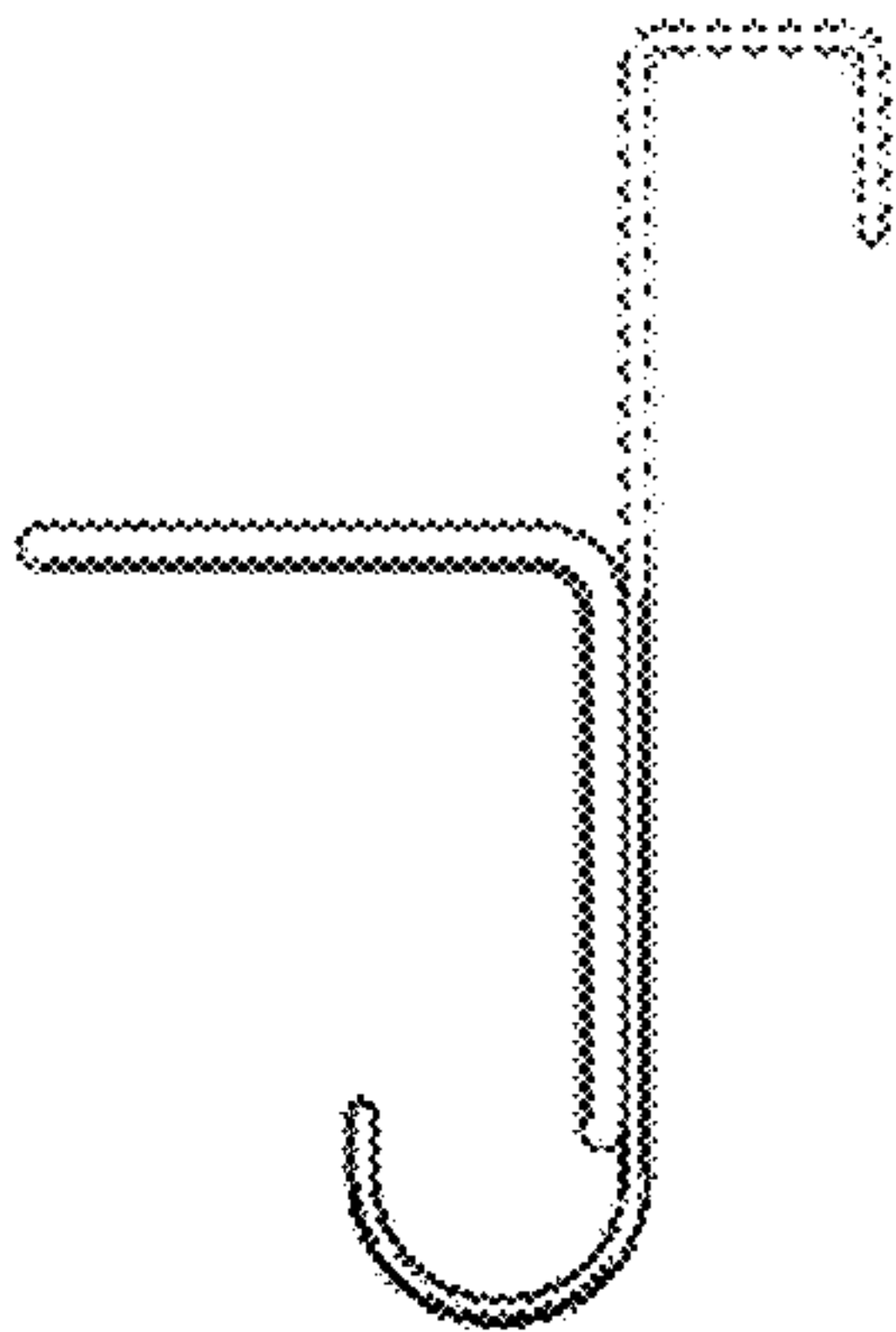


FIGURE 4

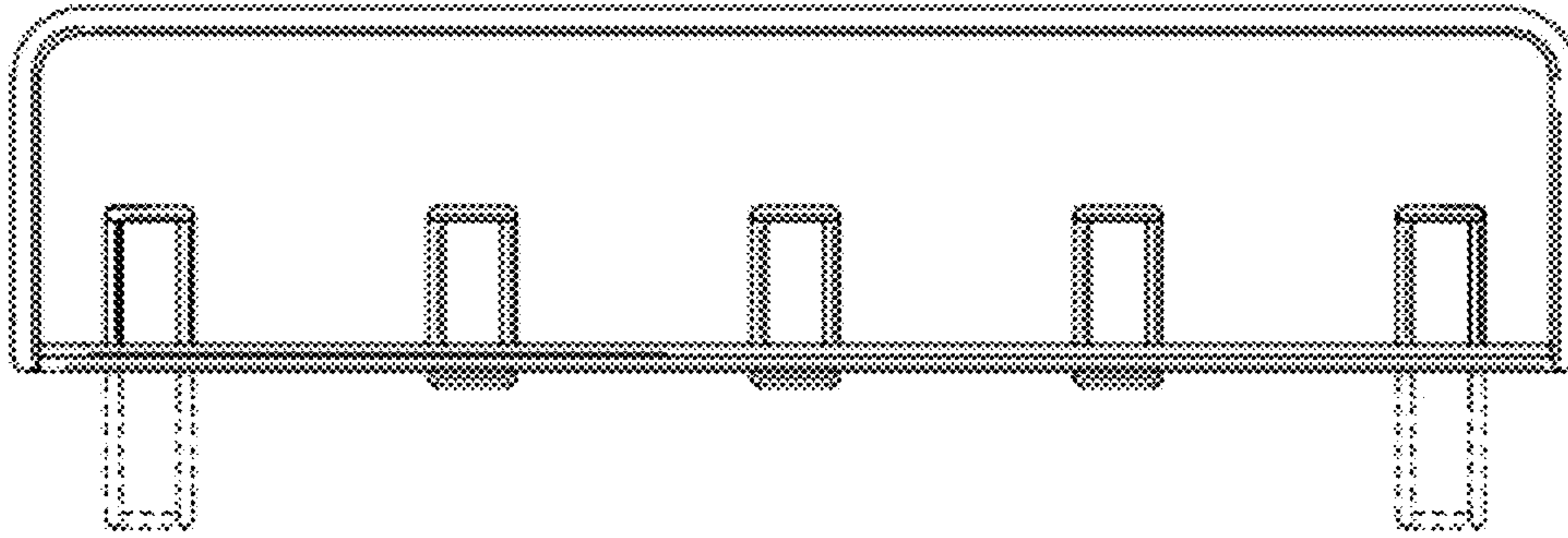


FIGURE 5

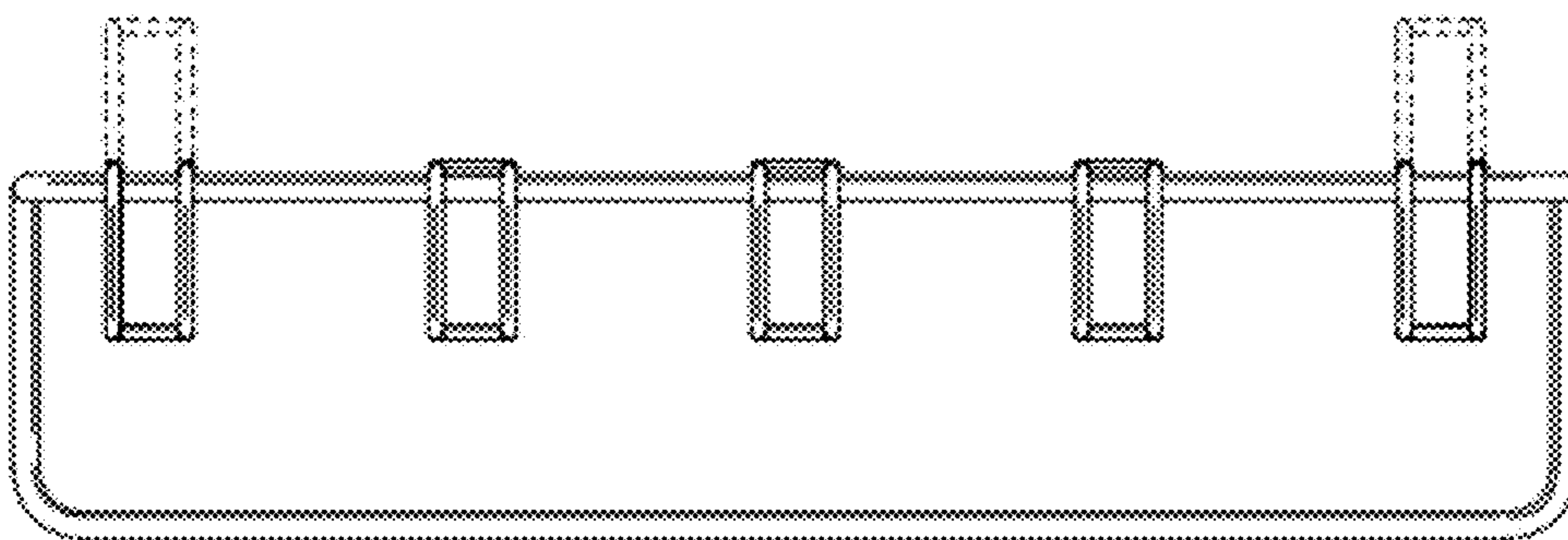


FIGURE 6