



US00D666856S

(12) **United States Design Patent**
Goodman et al.

(10) **Patent No.:** **US D666,856 S**

(45) **Date of Patent:** **** Sep. 11, 2012**

(54) **KEY RACK**

(75) Inventors: **Sheldon H. Goodman**, Solon, OH (US);
Elizabeth Cho, Evanston, IL (US)

(73) Assignee: **Spectrum Diversified Designs, Inc.**,
Streetsboro, OH (US)

(**) Term: **14 Years**

(21) Appl. No.: **29/412,446**

(22) Filed: **Feb. 3, 2012**

(51) **LOC (9) Cl.** **06-04**

(52) **U.S. Cl.** **D6/566**

(58) **Field of Classification Search** D6/512-514,
D6/566, 553, 567, 569, 315, 320, 327; D8/349,
D8/354, 367, 372; 248/301-304, 309.1,
248/309.2; 211/13.1, 30, 32, 70.6, 56.01,
211/87.01, 181.1

See application file for complete search history.

(56) **References Cited**

U.S. PATENT DOCUMENTS

D337,345 S	*	7/1993	Gracie	D6/566
D363,208 S	*	10/1995	Seidel	D6/566
D465,406 S	*	11/2002	Goodman et al.	D6/566
D466,396 S	*	12/2002	Snell	D6/566
D484,345 S	*	12/2003	Clucas	D6/566
D499,286 S	*	12/2004	Harwanko	D6/566
D555,366 S	*	11/2007	Goodman et al.	D6/566

D565,882 S	*	4/2008	Goodman et al.	D6/566
D575,973 S		9/2008	Goodman et al.		
D634,938 S	*	3/2011	Guindi	D6/566
D643,663 S	*	8/2011	Goodman et al.	D6/566
D645,685 S	*	9/2011	Goodman et al.	D6/566
D649,822 S	*	12/2011	Goodman et al.	D6/566
D654,737 S	*	2/2012	Guindi	D6/566

OTHER PUBLICATIONS

Blomus Tewo Key Board, www.allmodern.com/Blomus-Tewo-Key-Board.

Multicolored Key Rack, www.lkgoodwin.com.

Interdesign Formbu Mail and Key Rack, www.amazon.com/InterDesign-Formbu.

* cited by examiner

Primary Examiner — Brian N Vinson

(74) *Attorney, Agent, or Firm* — Pearne & Gordon LLP

(57) **CLAIM**

The ornamental design for a key rack, as shown and described.

DESCRIPTION

FIG. 1 is a perspective view of a key rack showing our new design;

FIG. 2 is a front elevational view thereof;

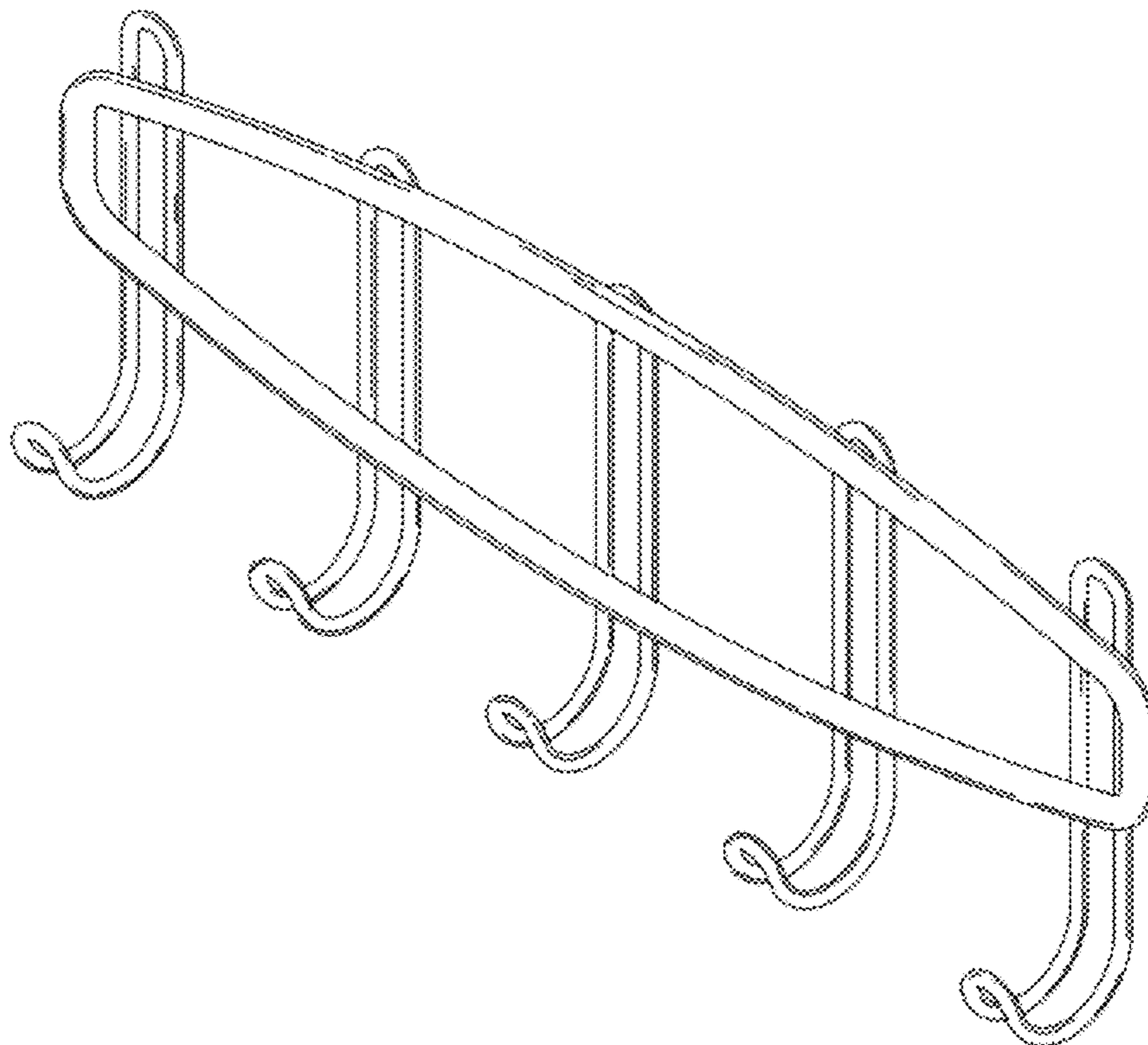
FIG. 3 is a rear elevational view thereof;

FIG. 4 is a side elevational view thereof;

FIG. 5 is a top plan view thereof; and,

FIG. 6 is a bottom plan view thereof.

1 Claim, 3 Drawing Sheets



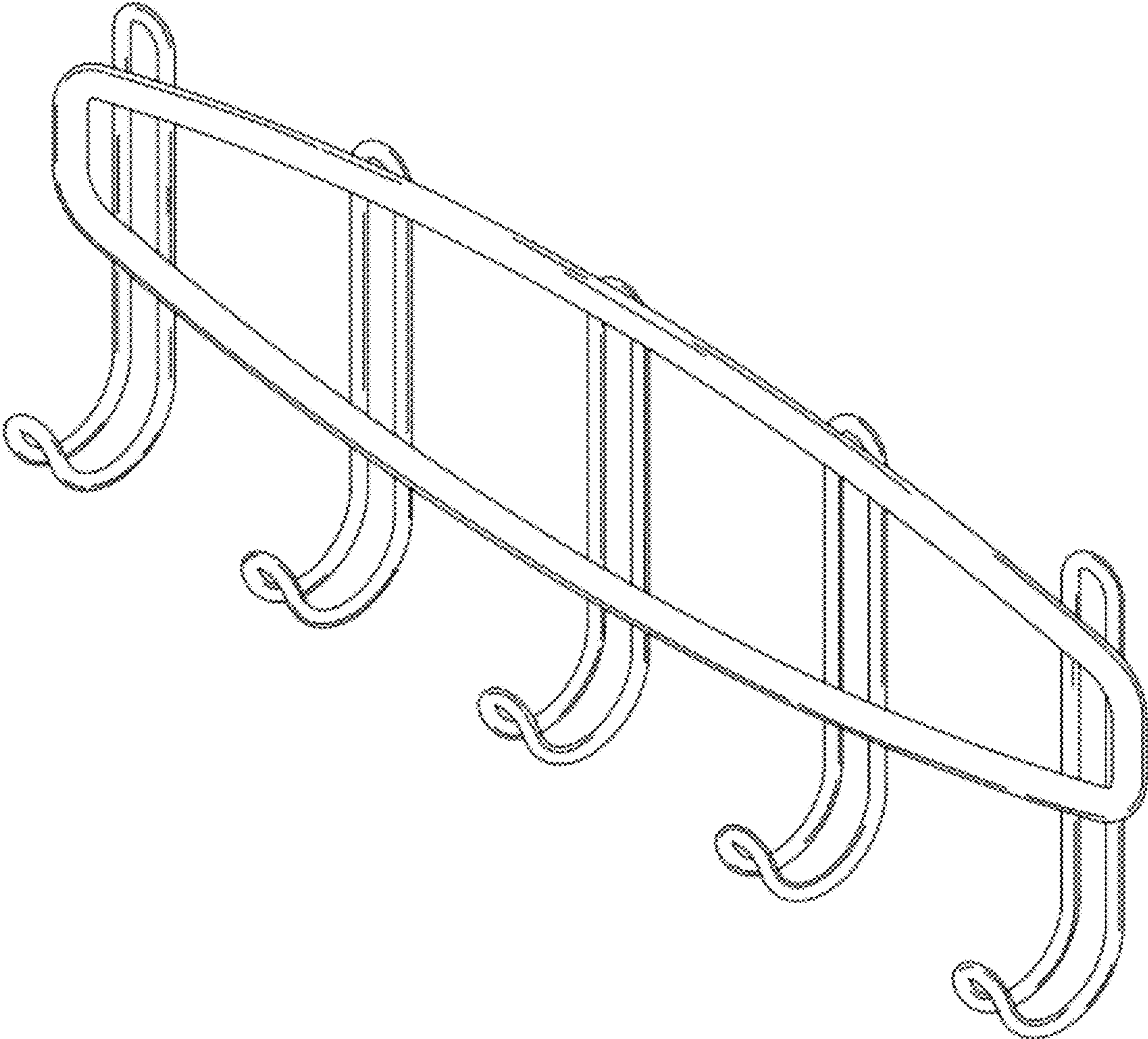


FIGURE 1

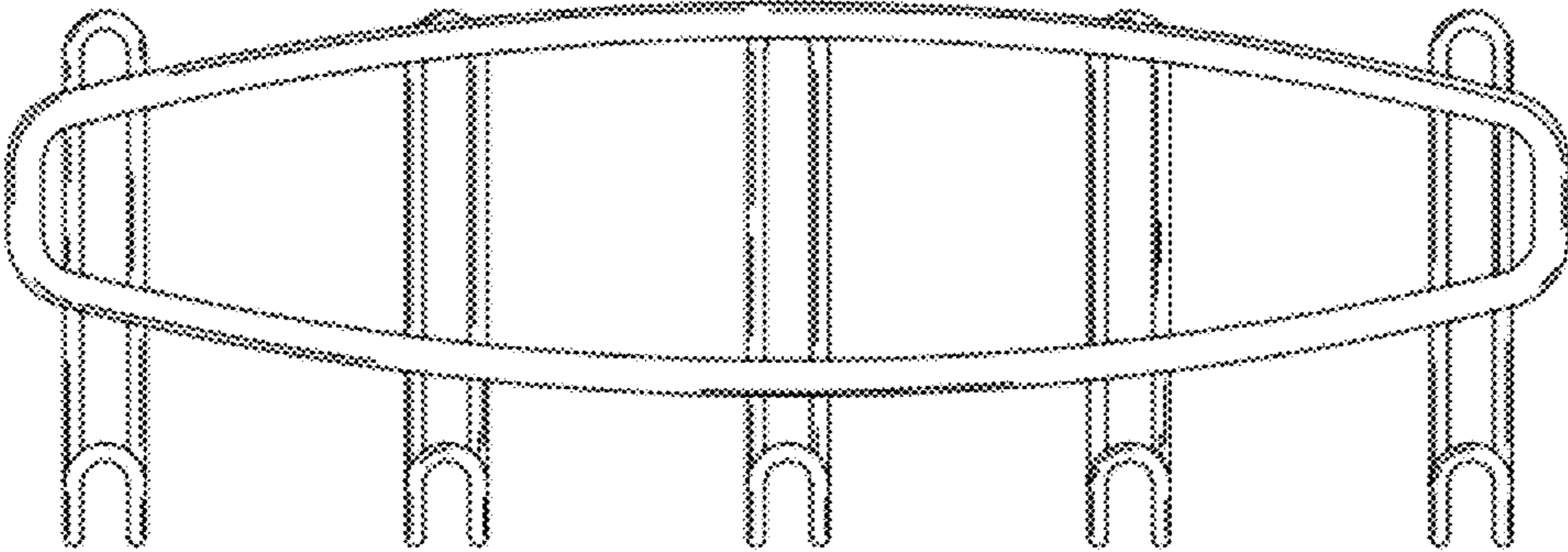


FIGURE 2

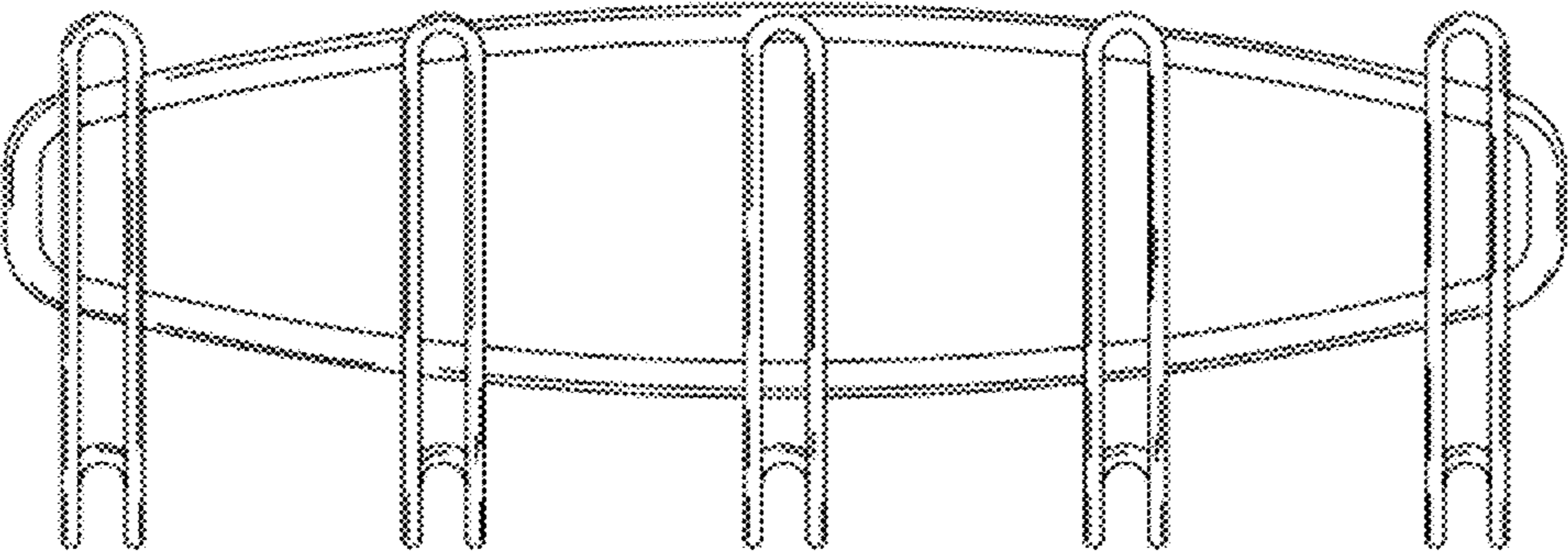


FIGURE 3



FIGURE 4

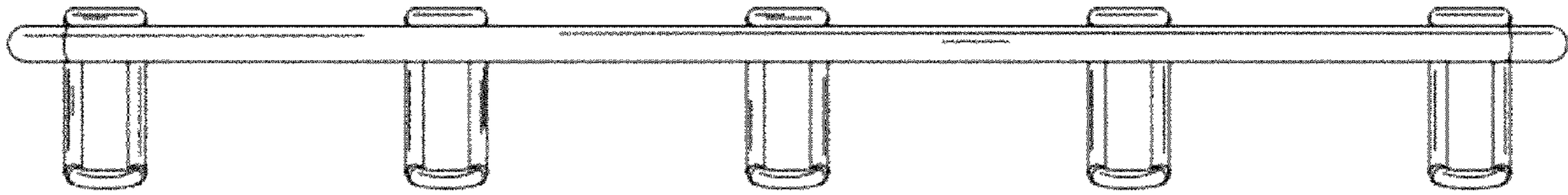


FIGURE 5

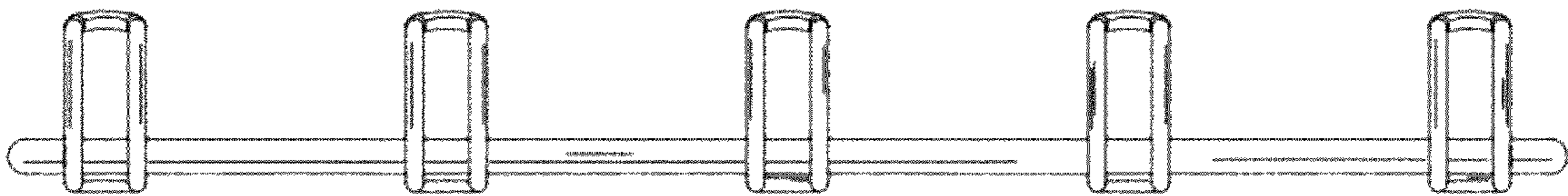


FIGURE 6