



US00D666855S

(12) **United States Design Patent**  
**Goodman et al.**

(10) **Patent No.:** **US D666,855 S**  
(45) **Date of Patent:** **\*\* Sep. 11, 2012**

(54) **MAIL AND KEY ORGANIZER**  
(75) Inventors: **Sheldon H. Goodman**, Solon, OH (US);  
**Elizabeth Cho**, Evanston, IL (US)

D645,685 S \* 9/2011 Goodman et al. .... D6/566  
D649,822 S \* 12/2011 Goodman et al. .... D6/566  
D654,737 S \* 2/2012 Guindi ..... D6/566

(73) Assignee: **Spectrum Diversified Designs, Inc.**,  
Streetsboro, OH (US)

**OTHER PUBLICATIONS**

Interdesign 54271 Wall Mount Mail and Key Rack, [www.amazon.com/Interdesign-54271](http://www.amazon.com/Interdesign-54271).  
Interdesign Formbu Mail and Key Rack, [www.amazon.com/InterDesign-Formbu](http://www.amazon.com/InterDesign-Formbu).  
One Eighty DesignMail and Key Rack, [www.organicbug.com/One-Eighty-Design-Mail-Key-Rack](http://www.organicbug.com/One-Eighty-Design-Mail-Key-Rack), p. 284.html.  
Umbra Lettro, <http://compare.ebay.com>.  
Umbra Magnetter, [www.umbra.com](http://www.umbra.com).

(\*\*) Term: **14 Years**

(21) Appl. No.: **29/412,435**

(22) Filed: **Feb. 3, 2012**

(51) **LOC (9) Cl.** ..... **06-04**

(52) **U.S. Cl.** ..... **D6/566**

(58) **Field of Classification Search** ..... D6/512-514,  
D6/566, 553, 567, 569, 315, 320, 327; D8/349,  
D8/354, 367, 372; 248/301-304, 309.1,  
248/309.2; 211/13.1, 30, 32, 70.6, 56.01,  
211/87.01, 181.1

See application file for complete search history.

\* cited by examiner

*Primary Examiner* — Brian N Vinson

(74) *Attorney, Agent, or Firm* — Pearne & Gordon LLP

(57) **CLAIM**

The ornamental design for a mail and key organizer, as shown and described.

**DESCRIPTION**

FIG. 1 is a perspective view of a mail and key organizer showing our new design;

FIG. 2 is a front elevational view thereof;

FIG. 3 is a rear elevational view thereof;

FIG. 4 is a side elevational view thereof;

FIG. 5 is a top plan view thereof; and,

FIG. 6 is a bottom plan view thereof.

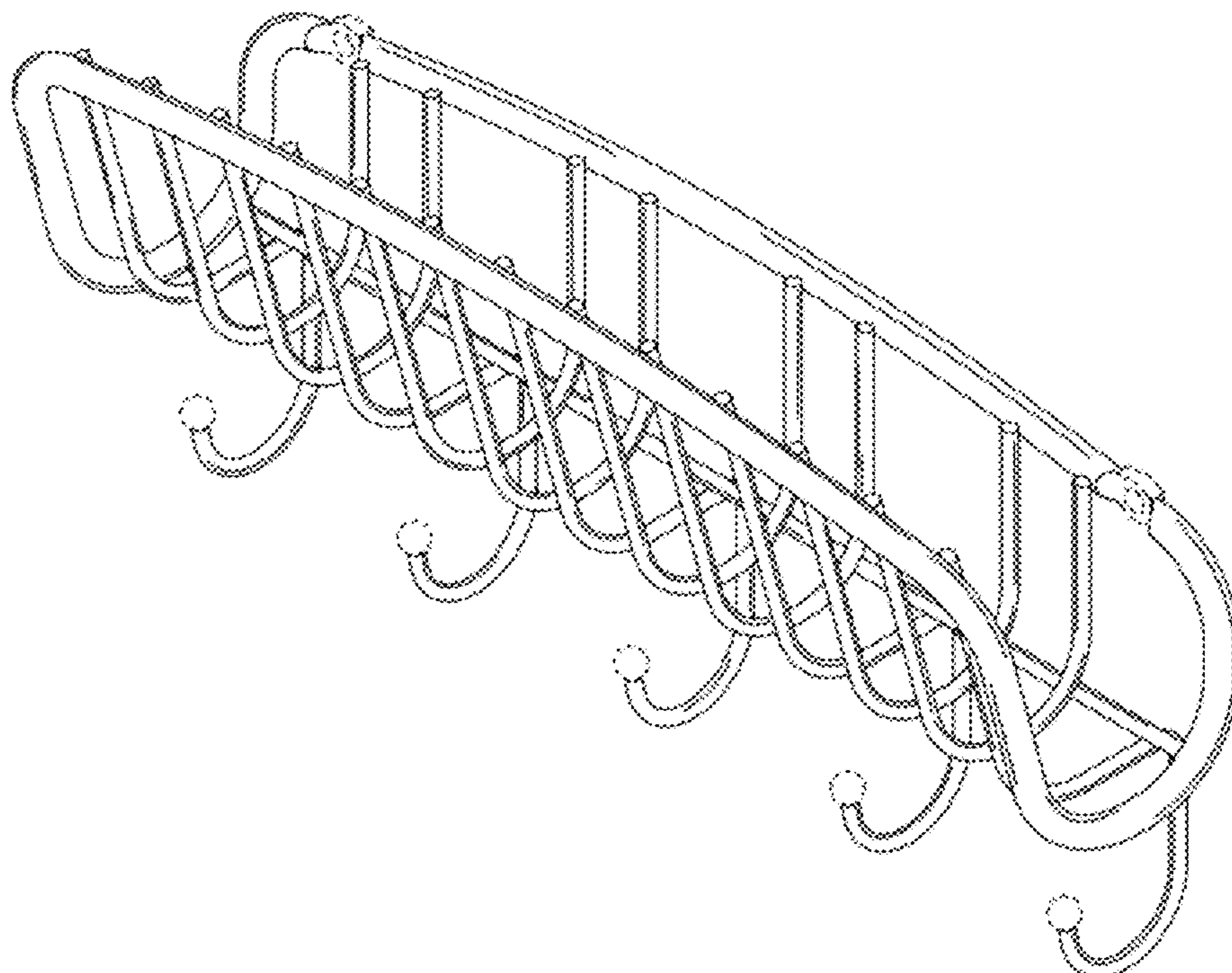
The broken-line disclosure in the views is understood to represent unclaimed portions of the article in which the claimed design is embodied.

(56) **References Cited**

**U.S. PATENT DOCUMENTS**

D337,345 S *	7/1993	Gracie .....	D6/566
D363,208 S *	10/1995	Seidel .....	D6/566
D465,406 S *	11/2002	Goodman et al. ....	D6/566
D466,396 S *	12/2002	Snell .....	D6/566
D484,345 S *	12/2003	Clucas .....	D6/566
D499,286 S *	12/2004	Harwanko .....	D6/566
D555,366 S *	11/2007	Goodman et al. ....	D6/566
D565,882 S *	4/2008	Goodman et al. ....	D6/566
D634,938 S *	3/2011	Guindi .....	D6/566
D643,663 S *	8/2011	Goodman et al. ....	D6/566

**1 Claim, 4 Drawing Sheets**



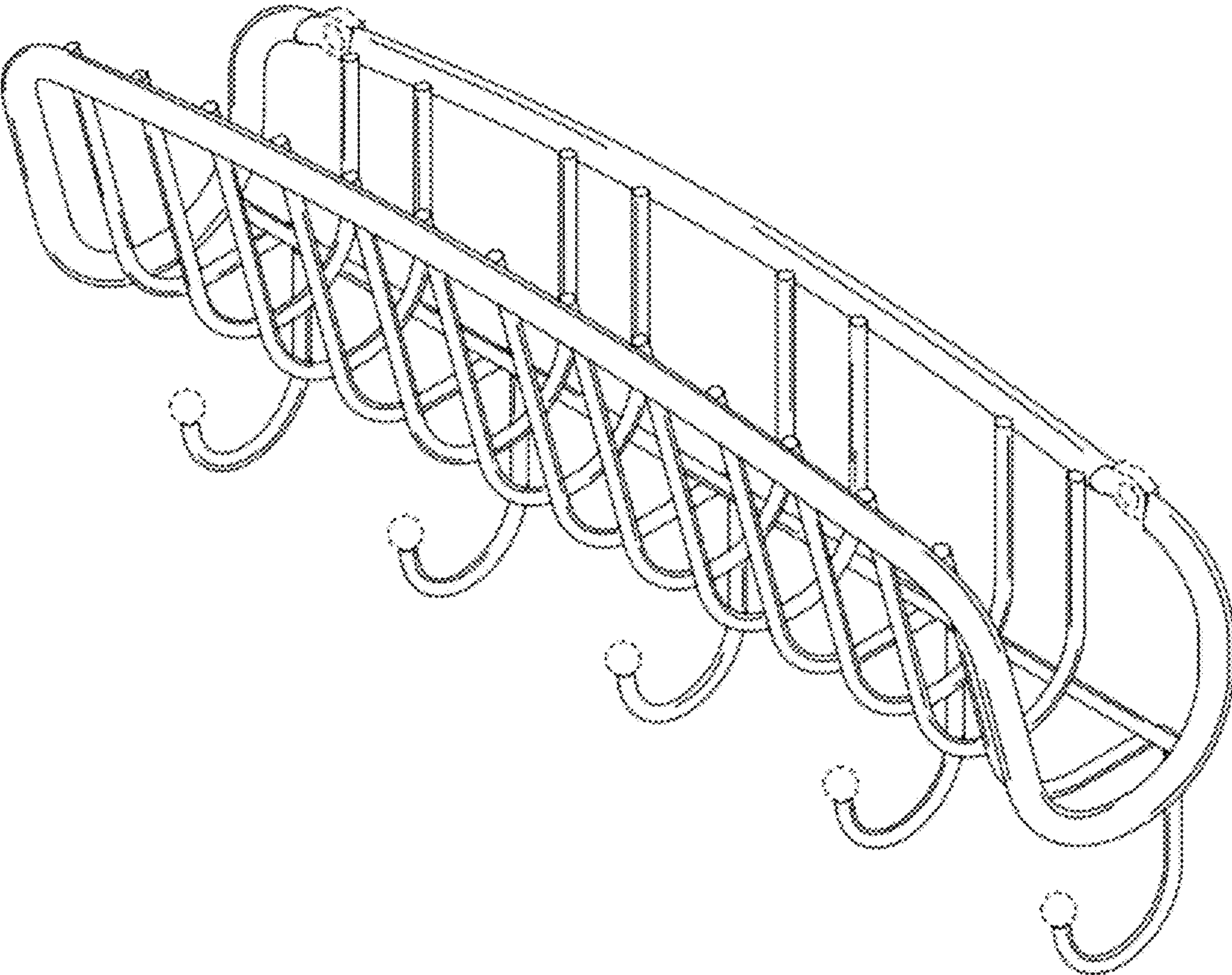


FIGURE 1



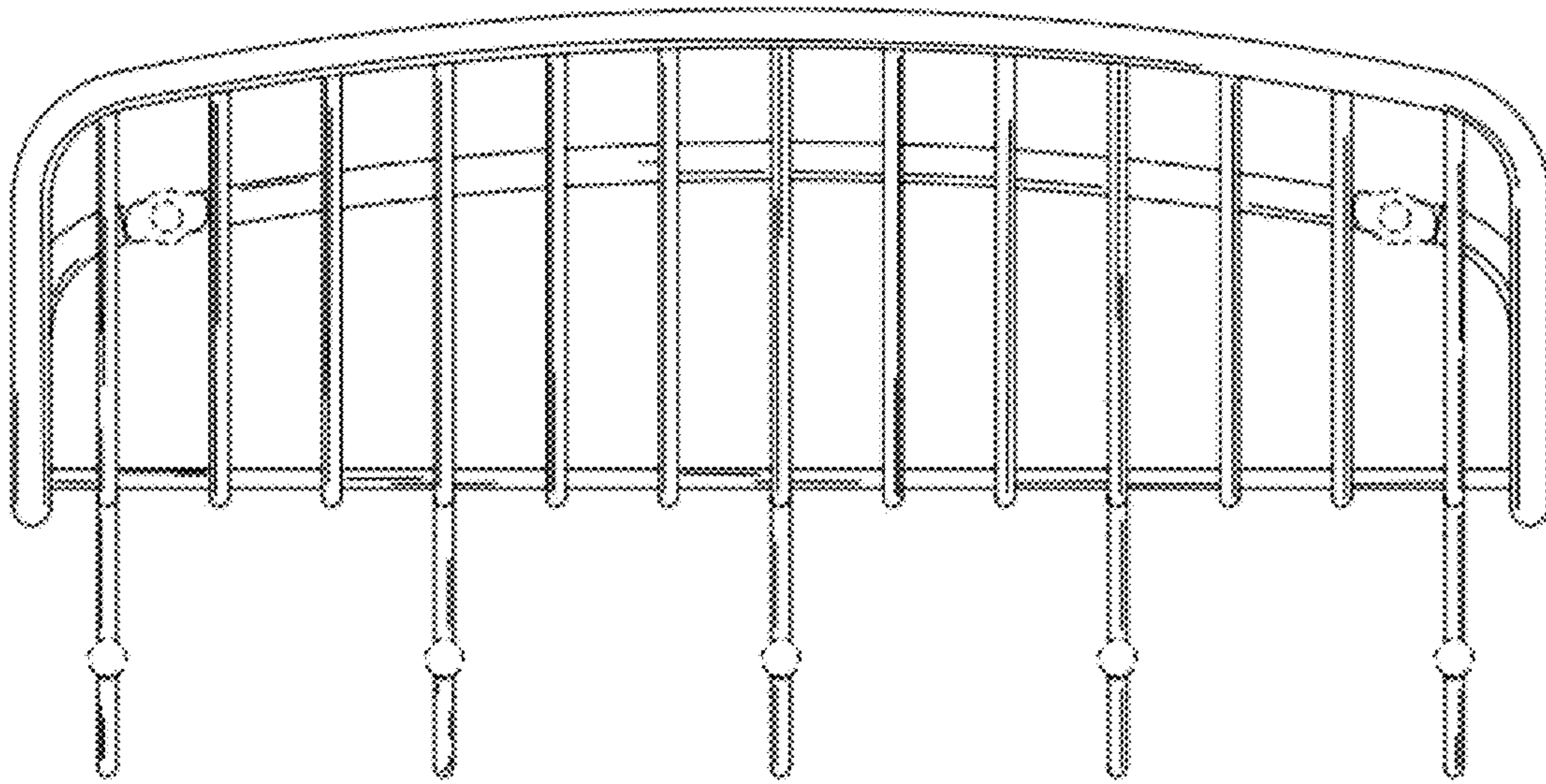


FIGURE 2

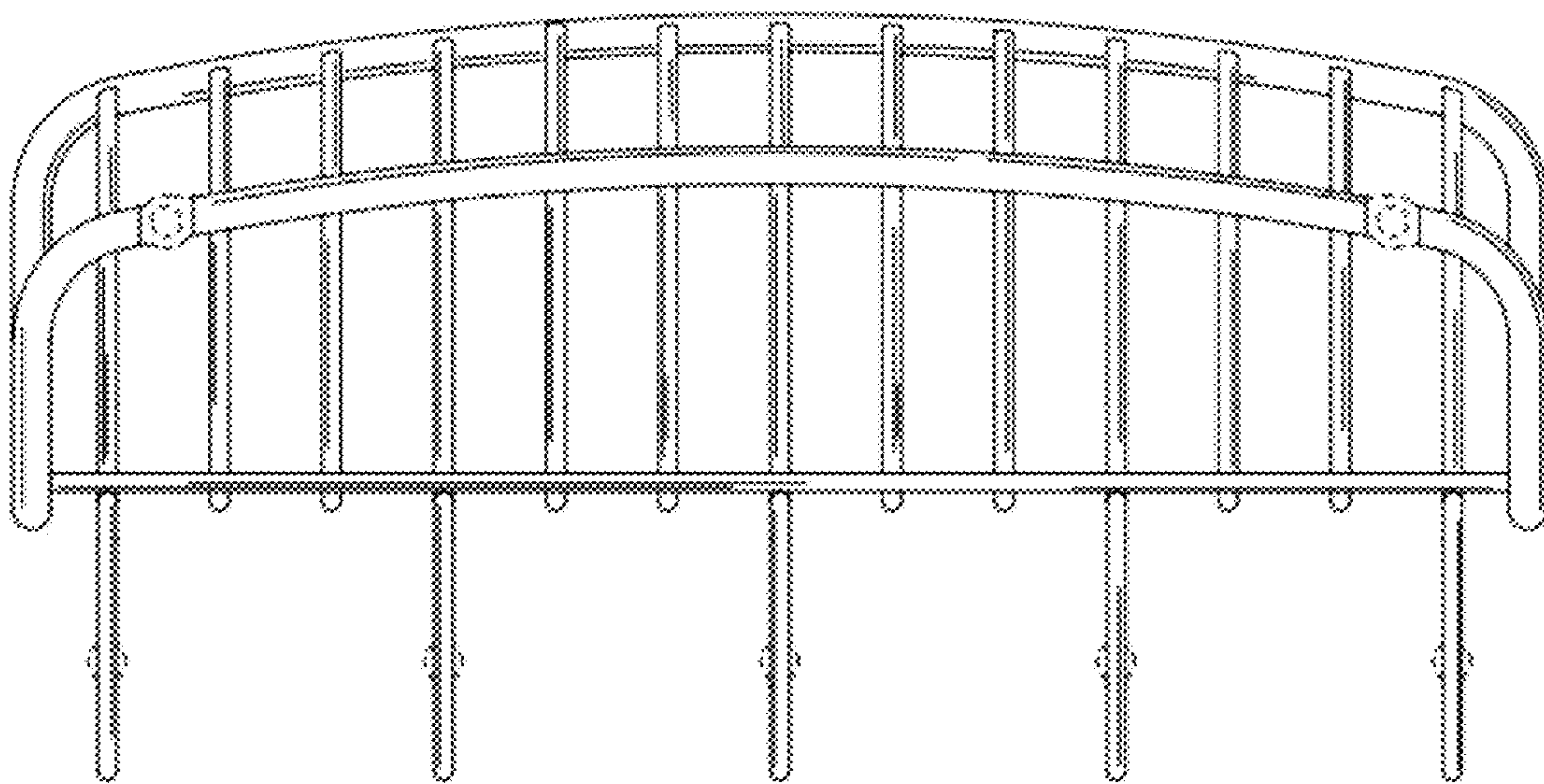


FIGURE 3

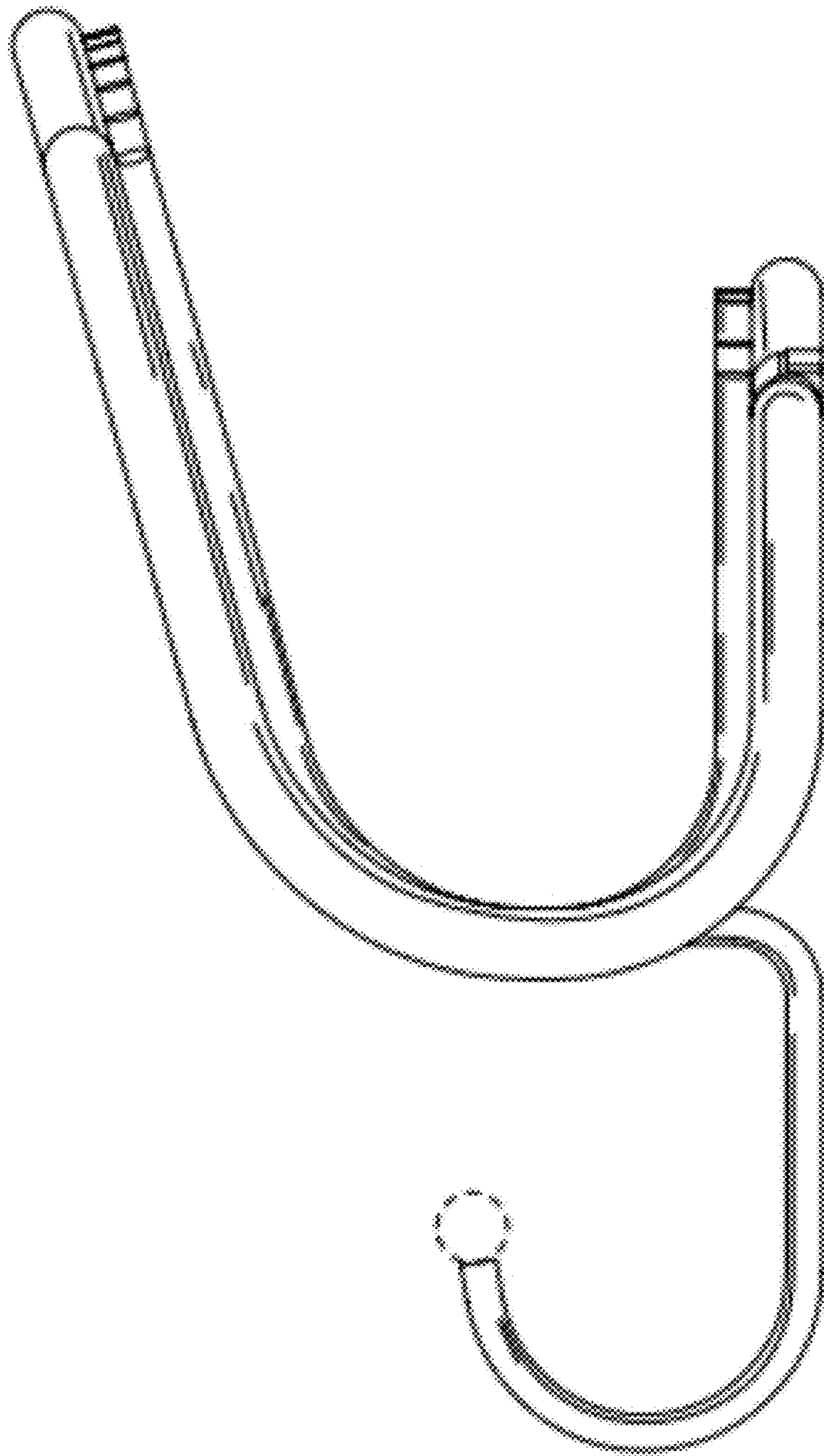


FIGURE 4

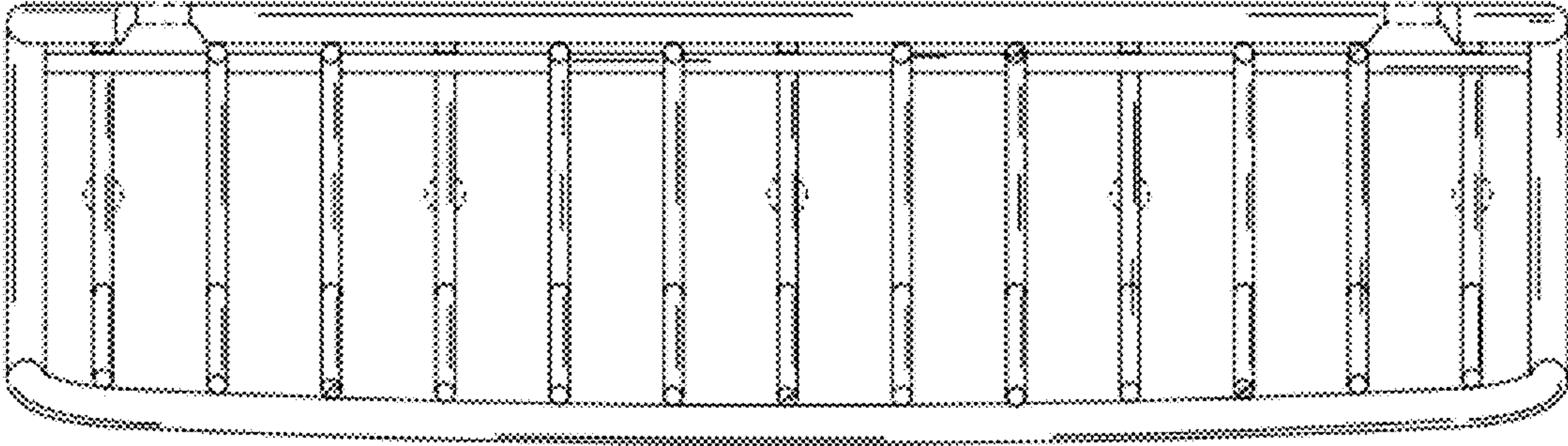


FIGURE 5

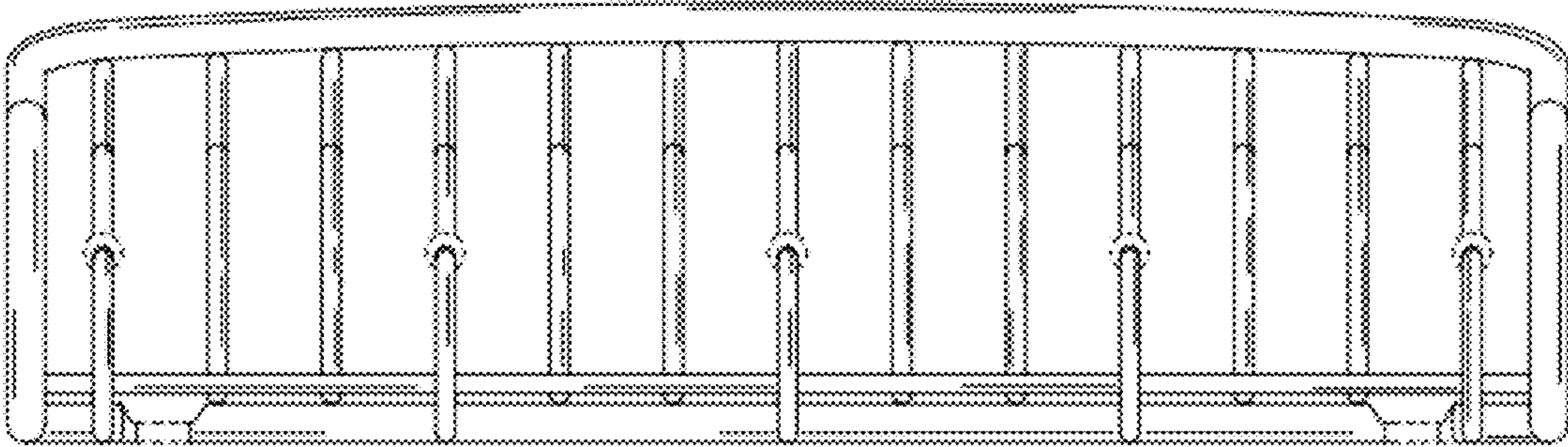


FIGURE 6