



US00D666853S

(12) **United States Design Patent**
Tunstall

(10) **Patent No.:** **US D666,853 S**

(45) **Date of Patent:** **** Sep. 11, 2012**

(54) **LID DISPENSER**

(75) Inventor: **Laura Tunstall**, Uckfield (GB)

(73) Assignee: **Mitchell & Cooper Limited**, Uckfield,
East Sussex (GB)

(**) Term: **14 Years**

(21) Appl. No.: **29/392,951**

(22) Filed: **May 27, 2011**

(30) **Foreign Application Priority Data**

Nov. 29, 2010 (EM) 001248322

(51) **LOC (9) Cl.** **20-02**

(52) **U.S. Cl.** **D6/515; D23/269**

(58) **Field of Classification Search** D3/203.2,
D3/203.1, 203.3, 203.4, 201, 205, 294; D6/515,
D6/512; 206/530-540, 581, 445; D21/392,
D21/394, 385; 221/152, 190, 196, 264, 266,
221/281; D23/269; D25/103; 40/27.5; 222/1;
29/854, 599; 164/97; 273/539; 156/242

See application file for complete search history.

(56) **References Cited**

U.S. PATENT DOCUMENTS

D35,064	S	*	9/1901	Pulcifer	D23/269
1,209,998	A	*	12/1916	Pinkert	40/27.5
2,995,011	A	*	8/1961	Kimmel	60/255
3,370,347	A	*	2/1968	Garwin et al.	29/599
D231,310	S	*	4/1974	Burgher	D23/269
4,319,696	A	*	3/1982	Stevens	D6/516
4,352,240	A	*	10/1982	Komada	29/854
D269,111	S	*	5/1983	Logsdon	D23/269
D277,246	S	*	1/1985	Sjostedt et al.	D6/523

(Continued)

Primary Examiner — Brian N Vinson

(74) *Attorney, Agent, or Firm* — Jane E. Harris; Ice Miller
LLP

(57) **CLAIM**

The ornamental design for a lid dispenser, as shown and described.

DESCRIPTION

FIG. 1 is a top plan view of a first embodiment of my new design for a lid dispenser;

FIG. 2 is an additional top plan view thereof;

FIG. 3 is a side view of the lid dispenser shown in FIG. 1;

FIG. 4 is a cross-sectional view of the lid dispenser along line FIG. 4-FIG. 4 shown in FIG. 2;

FIG. 5 shows a perspective view thereof;

FIG. 6 is a top plan view of a second embodiment of my new design for a lid dispenser;

FIG. 7 is an additional top plan view thereof;

FIG. 8 is a side view of the lid dispenser shown in FIG. 1;

FIG. 9 is a cross-sectional view of the lid dispenser along line FIG. 9-FIG. 9 shown in FIG. 7;

FIG. 10 shows a perspective view thereof;

FIG. 11 is a top plan view of a third embodiment of my new design for a lid dispenser;

FIG. 12 is an additional top plan view thereof;

FIG. 13 is a side view of the lid dispenser shown in FIG. 1;

FIG. 14 is a cross-sectional view of the lid dispenser along line FIG. 14-FIG. 14 shown in FIG. 12;

FIG. 15 shows a perspective view thereof;

FIG. 16 is a top plan view of a fourth embodiment of my new design for a lid dispenser;

FIG. 17 is an additional top plan view thereof;

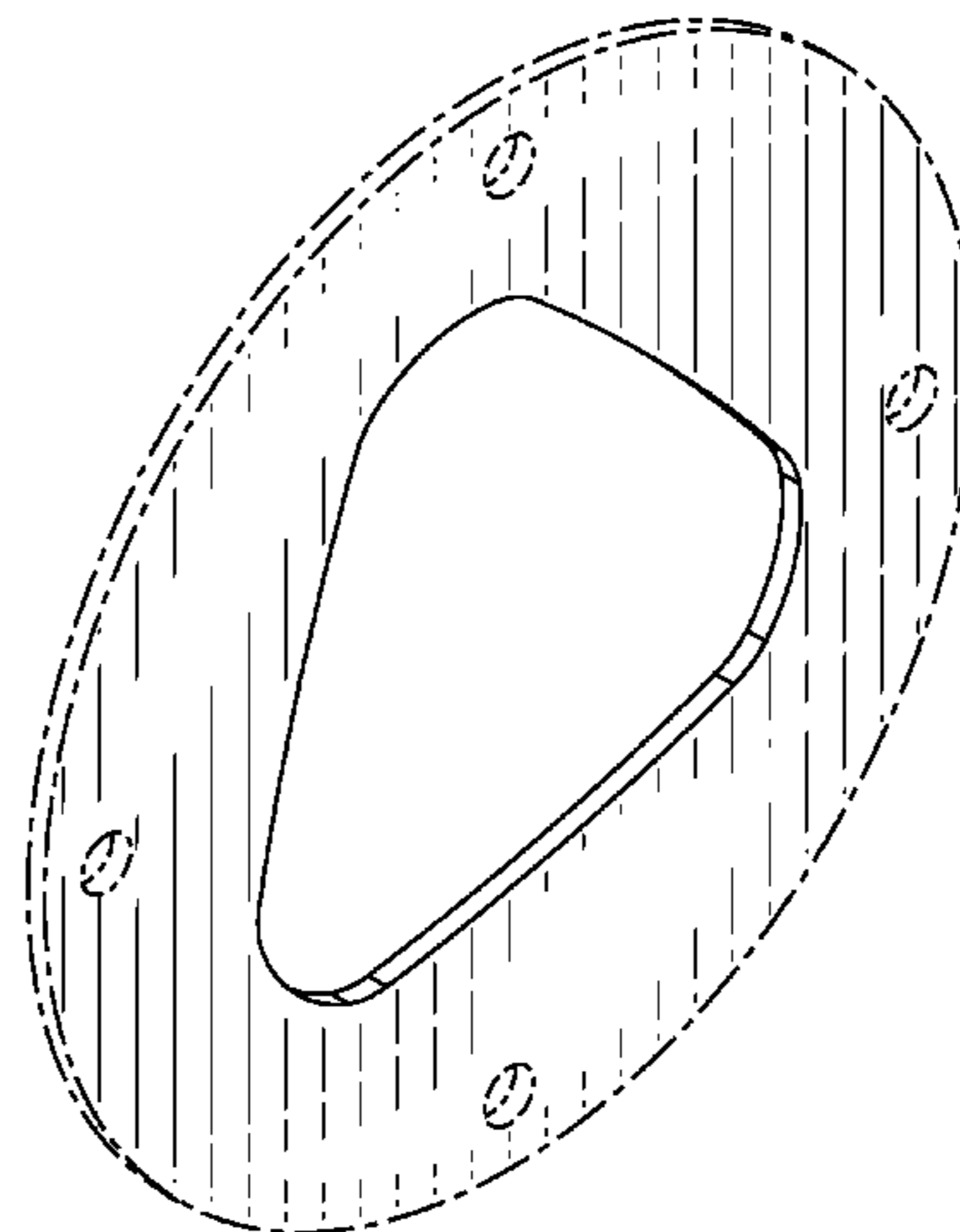
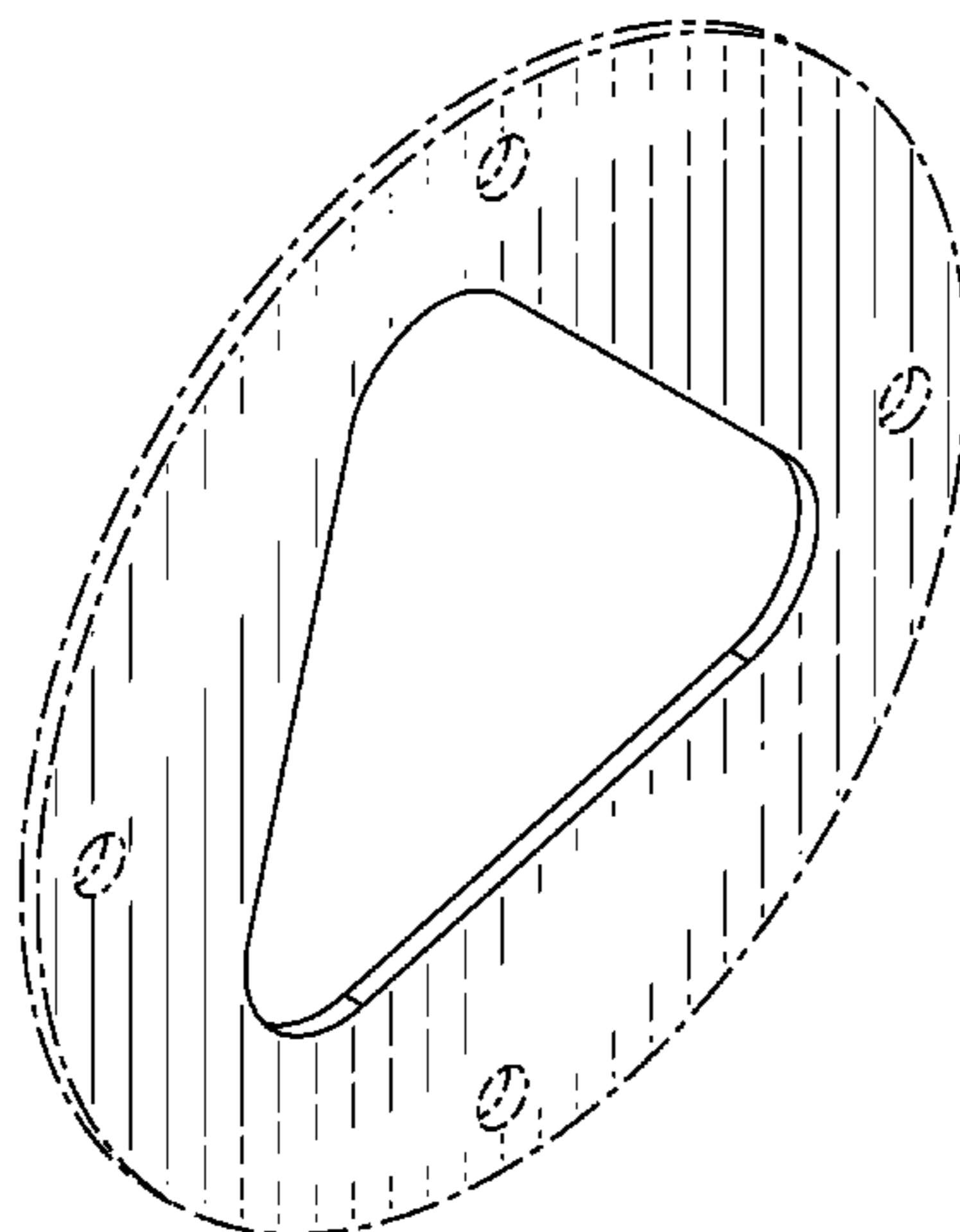
FIG. 18 is a side view of the lid dispenser shown in FIG. 1;

FIG. 19 is a cross-sectional view of the lid dispenser along line FIG. 19-FIG. 19 shown in FIG. 17; and,

FIG. 20 shows a perspective view thereof.

The broken lines shown in the drawings are intended to represent portions of the article in which the claimed design is embodied, but which form no part of the claimed design. Where a broken-line abuts surfaces provided with surface shading, that broken line is understood to represent an unclaimed boundary between claimed and unclaimed surfaces.

1 Claim, 16 Drawing Sheets



US D666,853 S

Page 2

U.S. PATENT DOCUMENTS

D298,596	S	*	11/1988	Suttles	D6/516	5,915,694	A	*	6/1999	Brum	273/359
D304,535	S	*	11/1989	White	D6/516	6,013,374	A	*	1/2000	Watanabe et al.	156/242
D339,015	S	*	9/1993	Giugiaro	D6/518	D533,079	S	*	12/2006	Berger	D6/515
5,354,528	A	*	10/1994	Akiyama et al.	164/97	D549,099	S	*	8/2007	Edwards	D6/518
D375,150	S	*	10/1996	Wainer	D23/269	D631,268	S	*	1/2011	Yang et al.	D6/518
D380,839	S	*	7/1997	Lint et al.	D25/103	D633,183	S	*	2/2011	Heintzman	D23/269
5,823,387	A	*	10/1998	Manadanas et al.	222/1	D634,138	S	*	3/2011	Wallace	D6/518
D403,543	S	*	1/1999	Grasso et al.	D6/518							

* cited by examiner

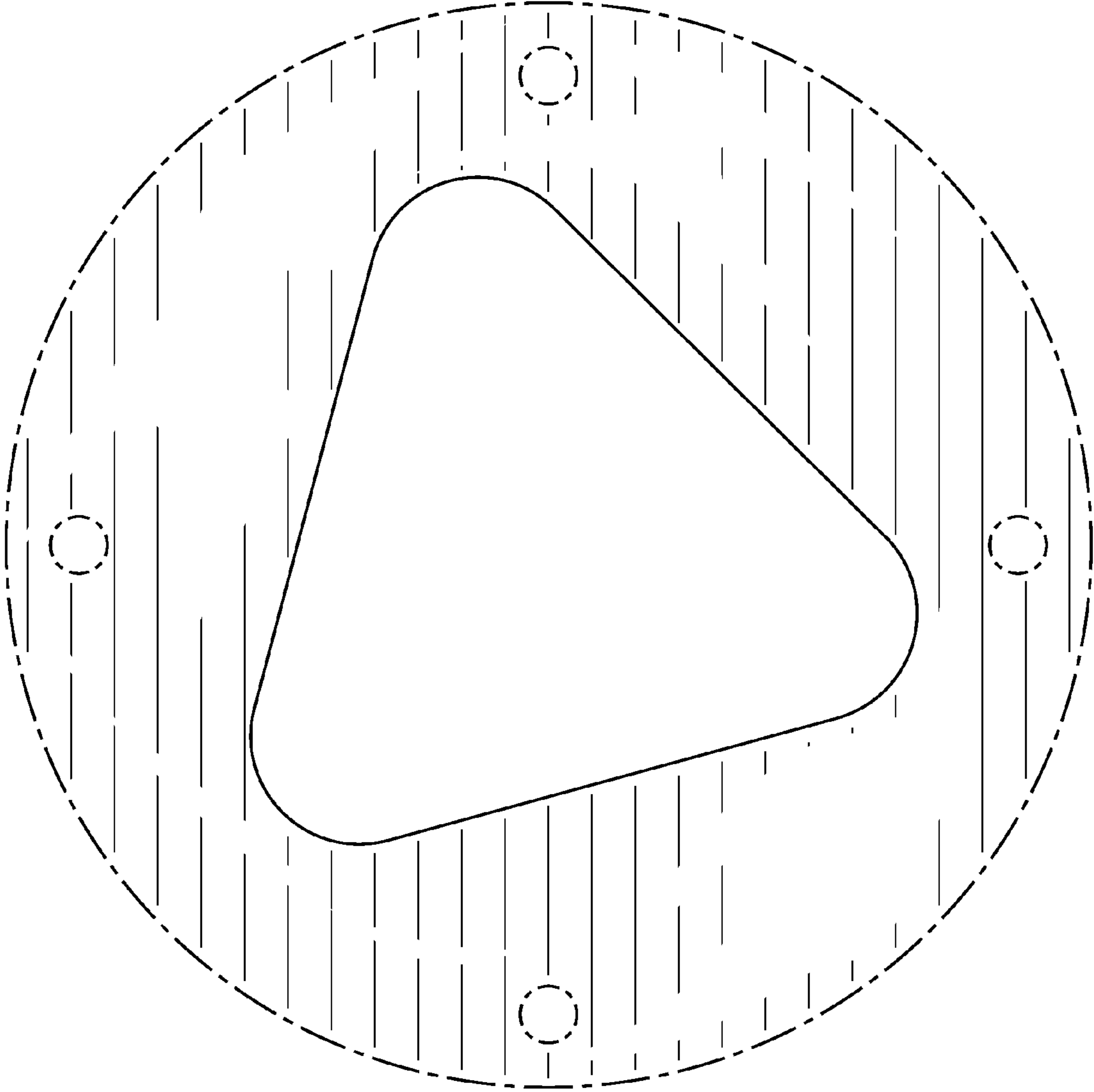


Fig. 1

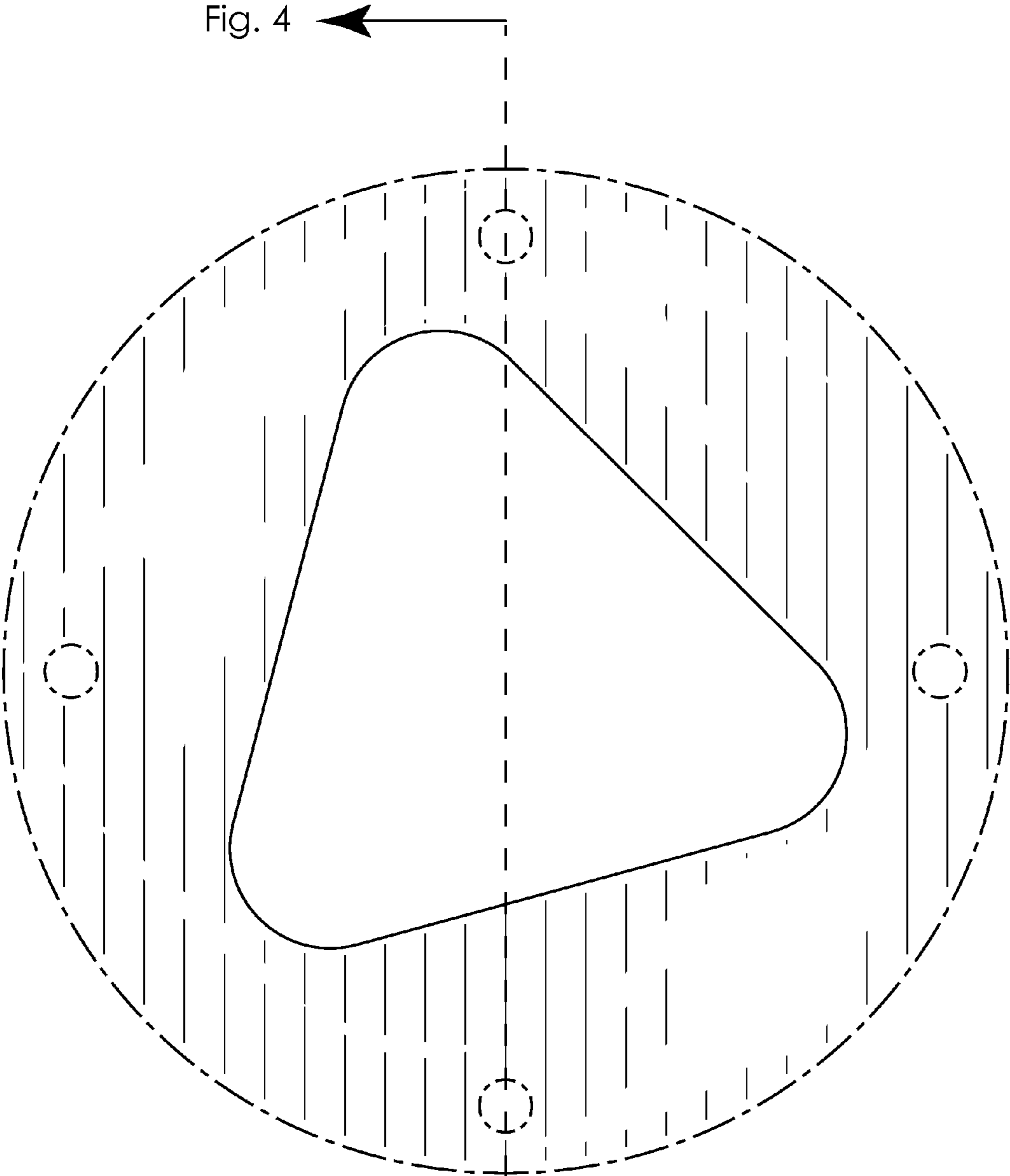


Fig. 4

Fig. 4

Fig. 2



Fig. 3



Fig. 4

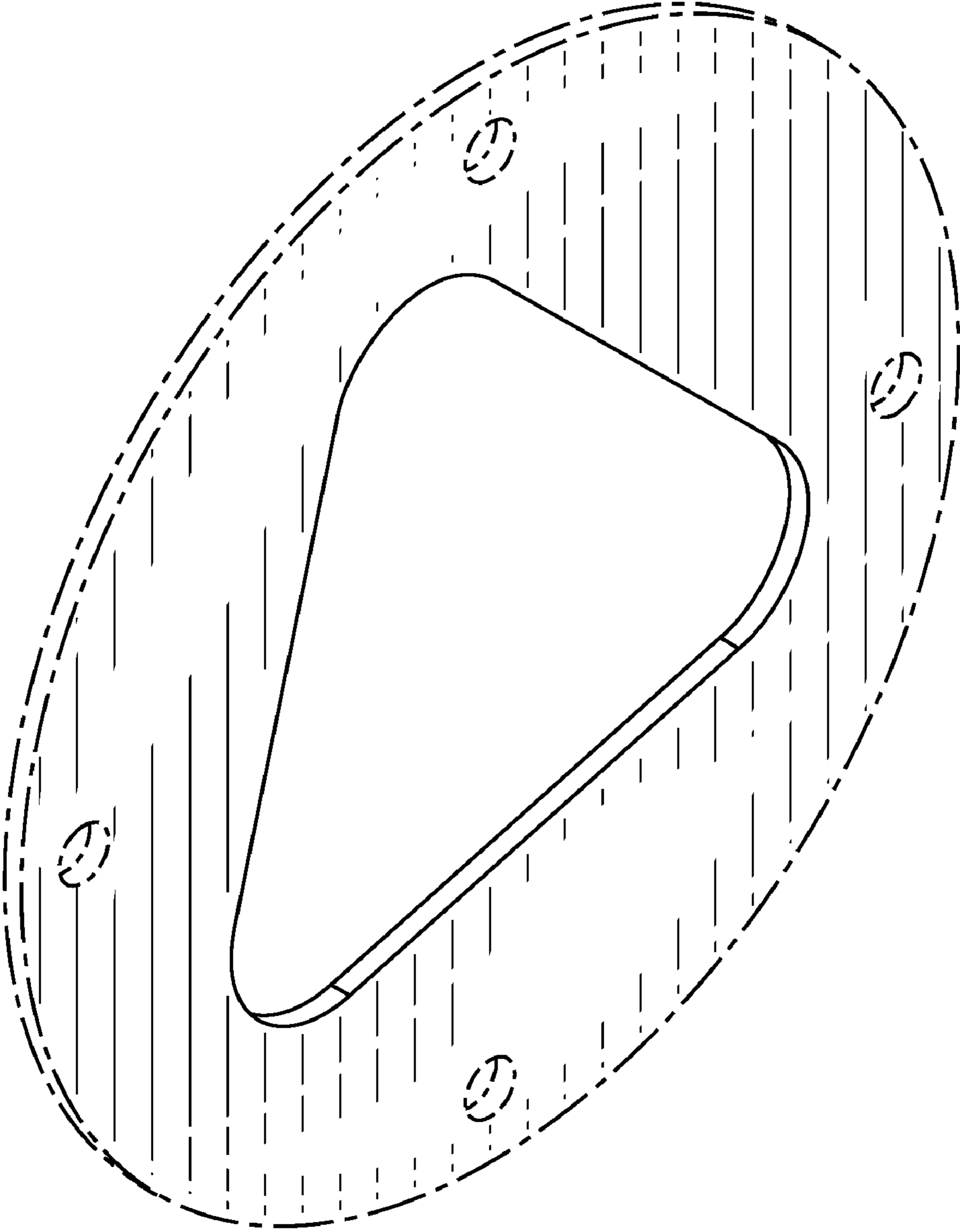


Fig. 5

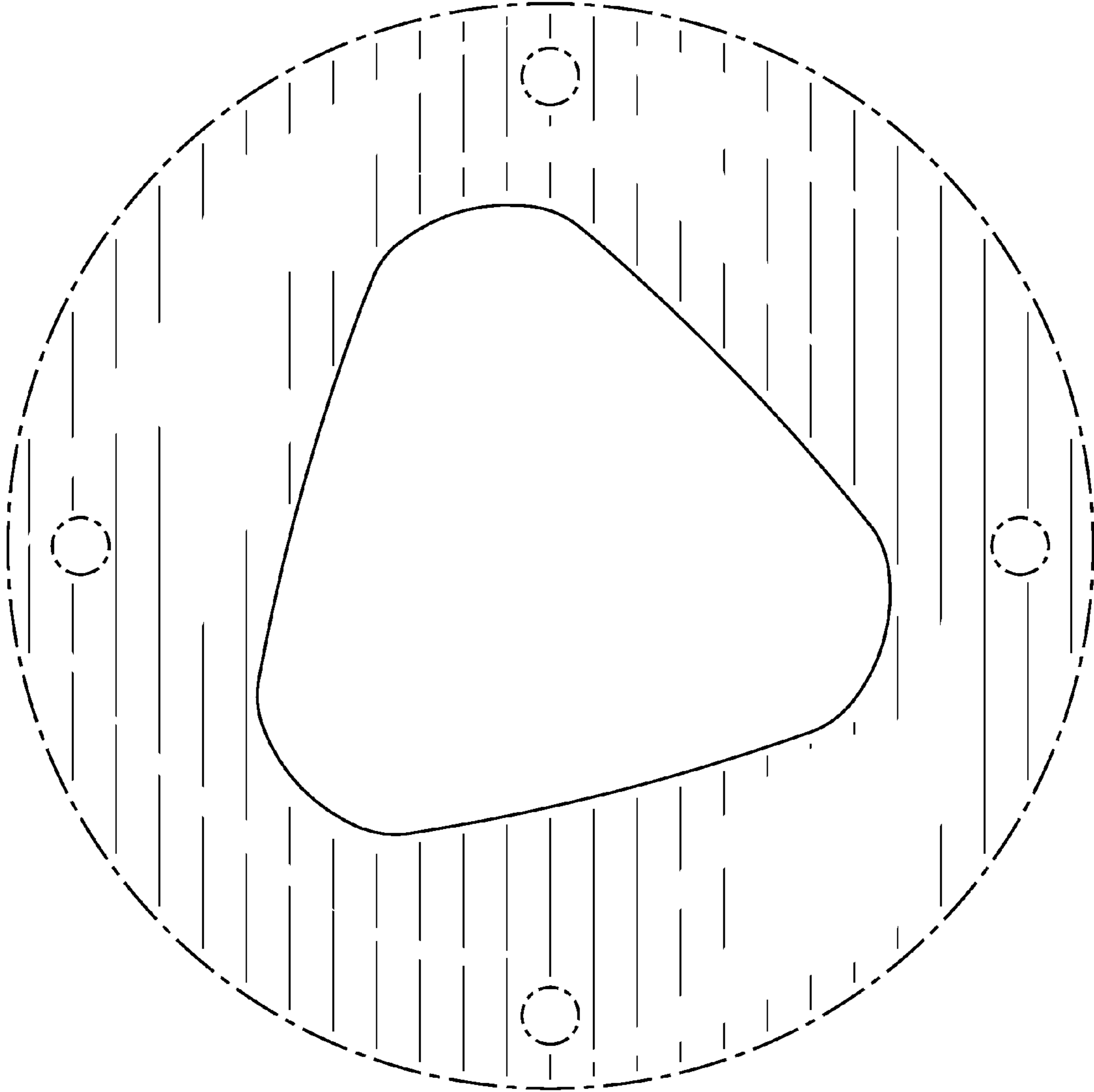


Fig. 6

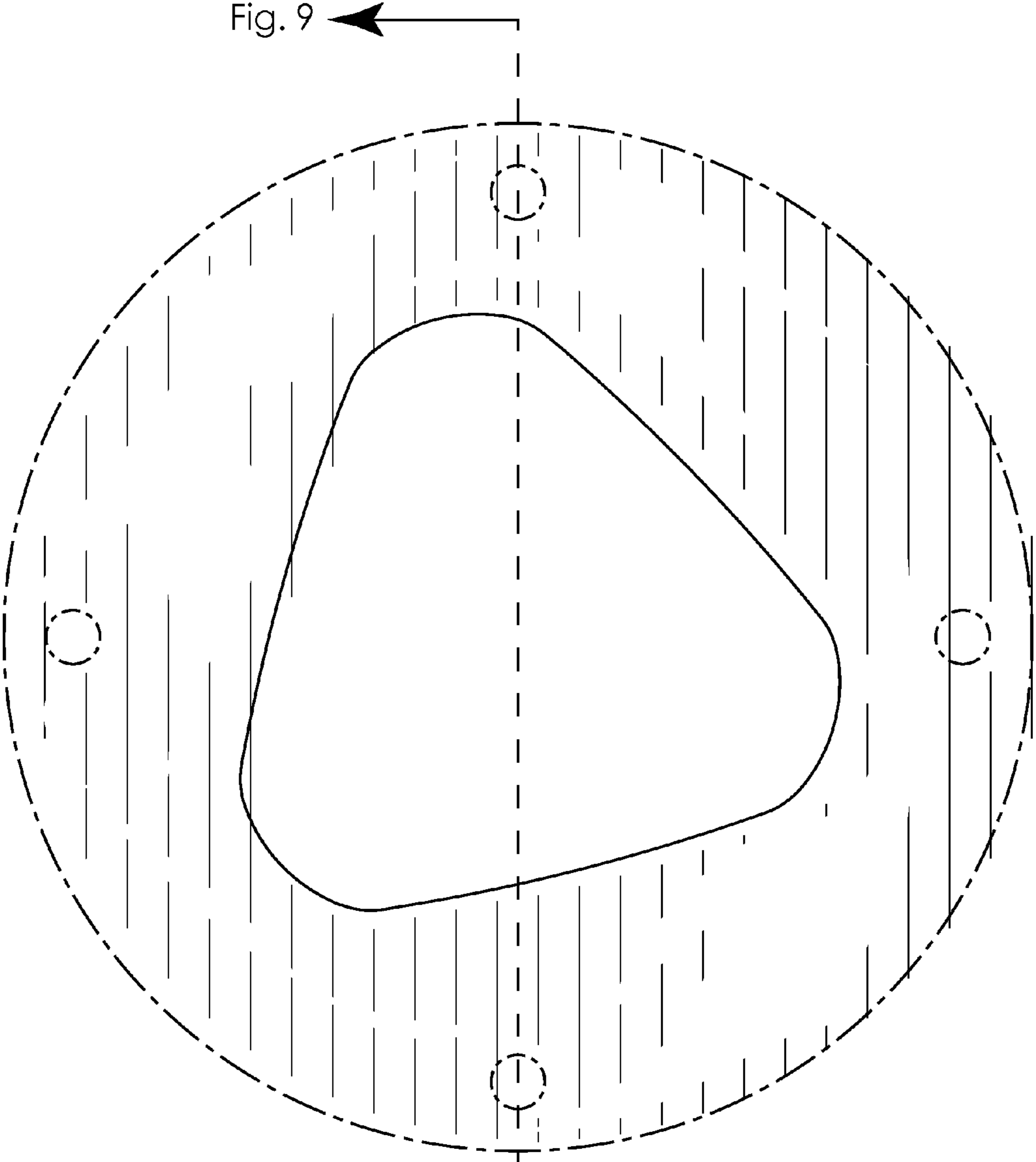


Fig. 9

Fig. 9

Fig. 7

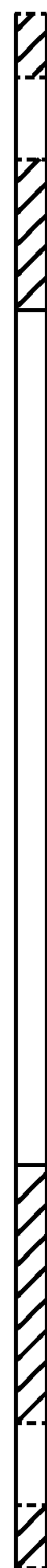


Fig. 8

Fig. 9

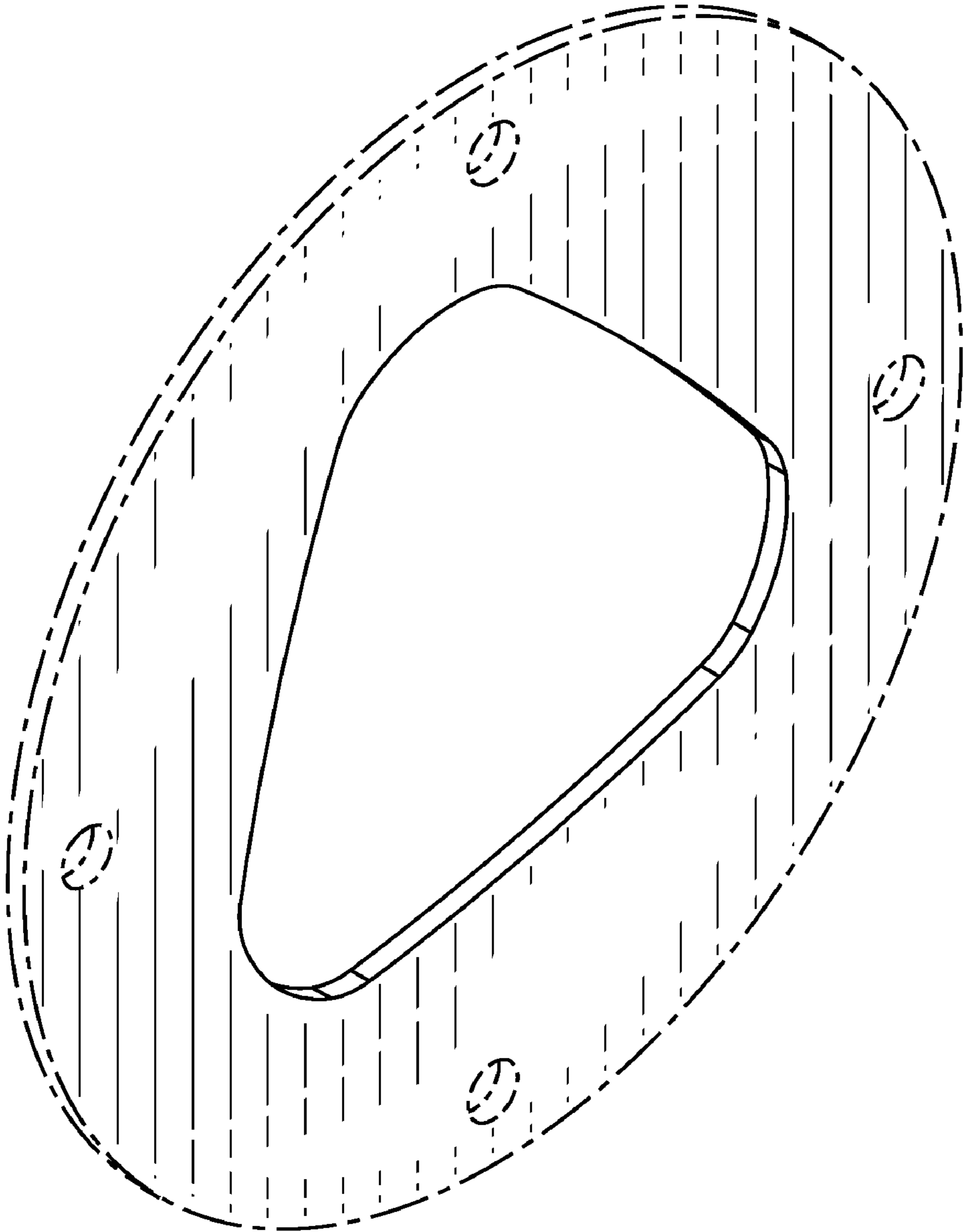


Fig. 10

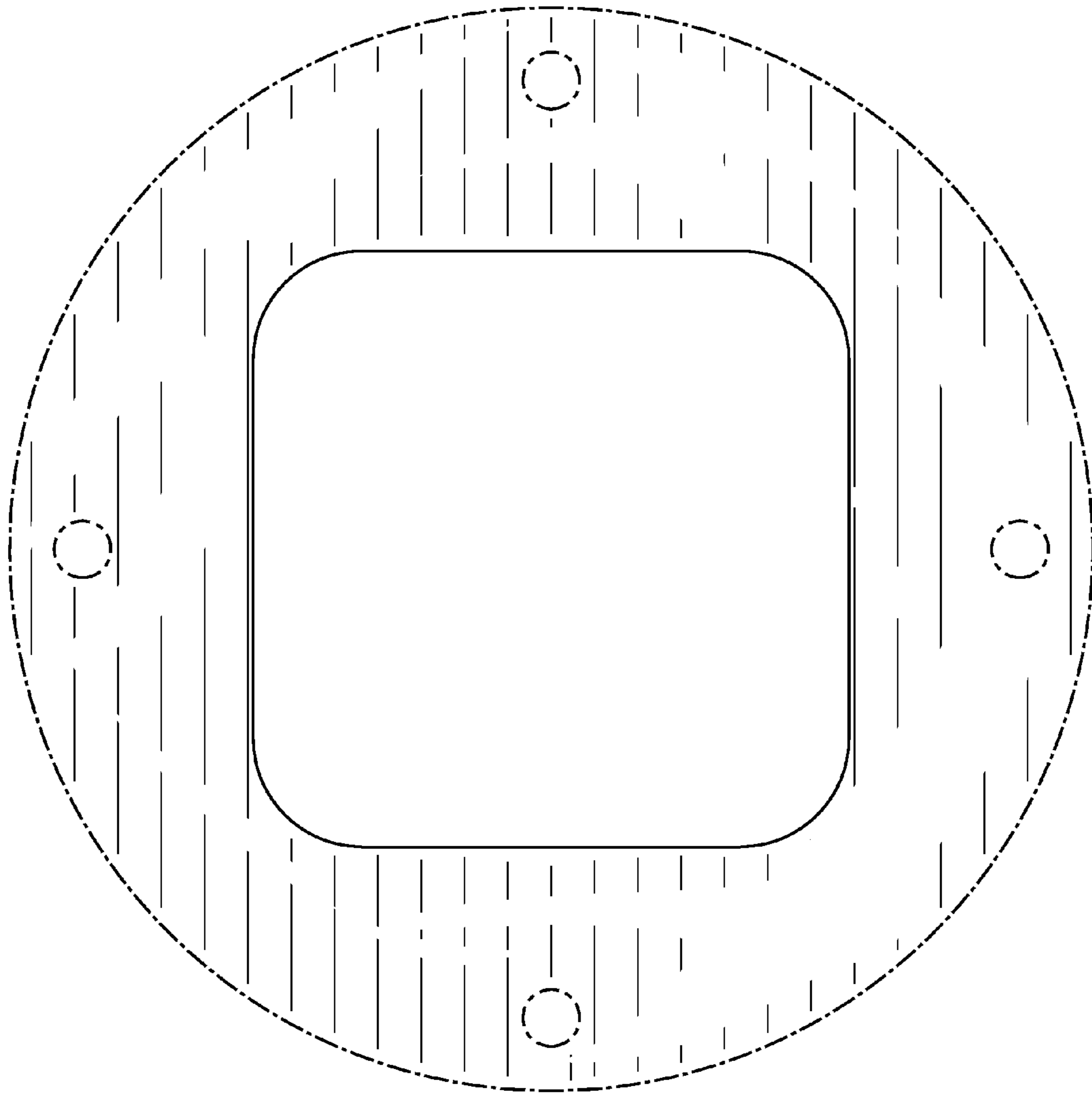


Fig. 11

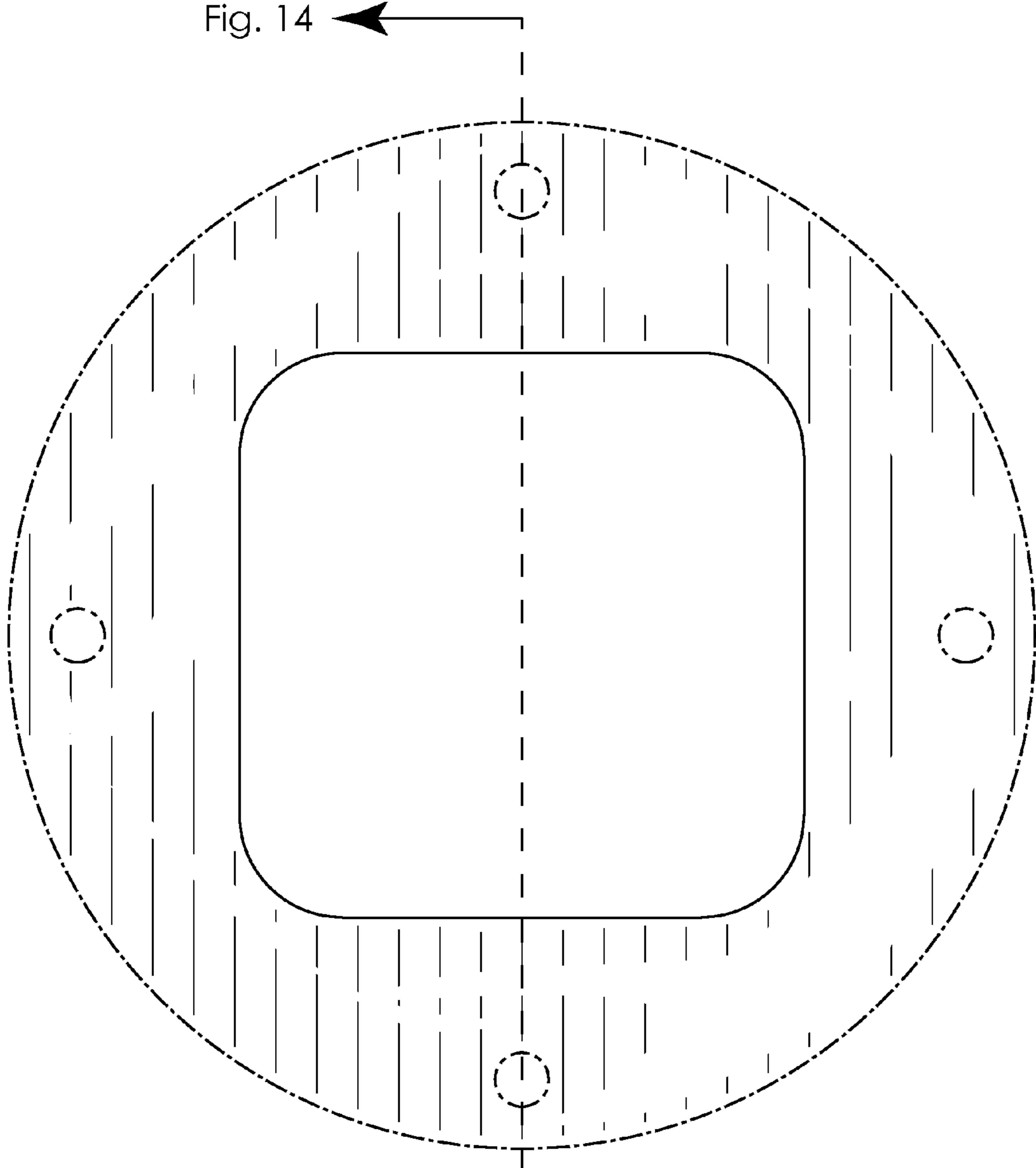


Fig. 14

Fig. 12



Fig. 13

Fig. 14

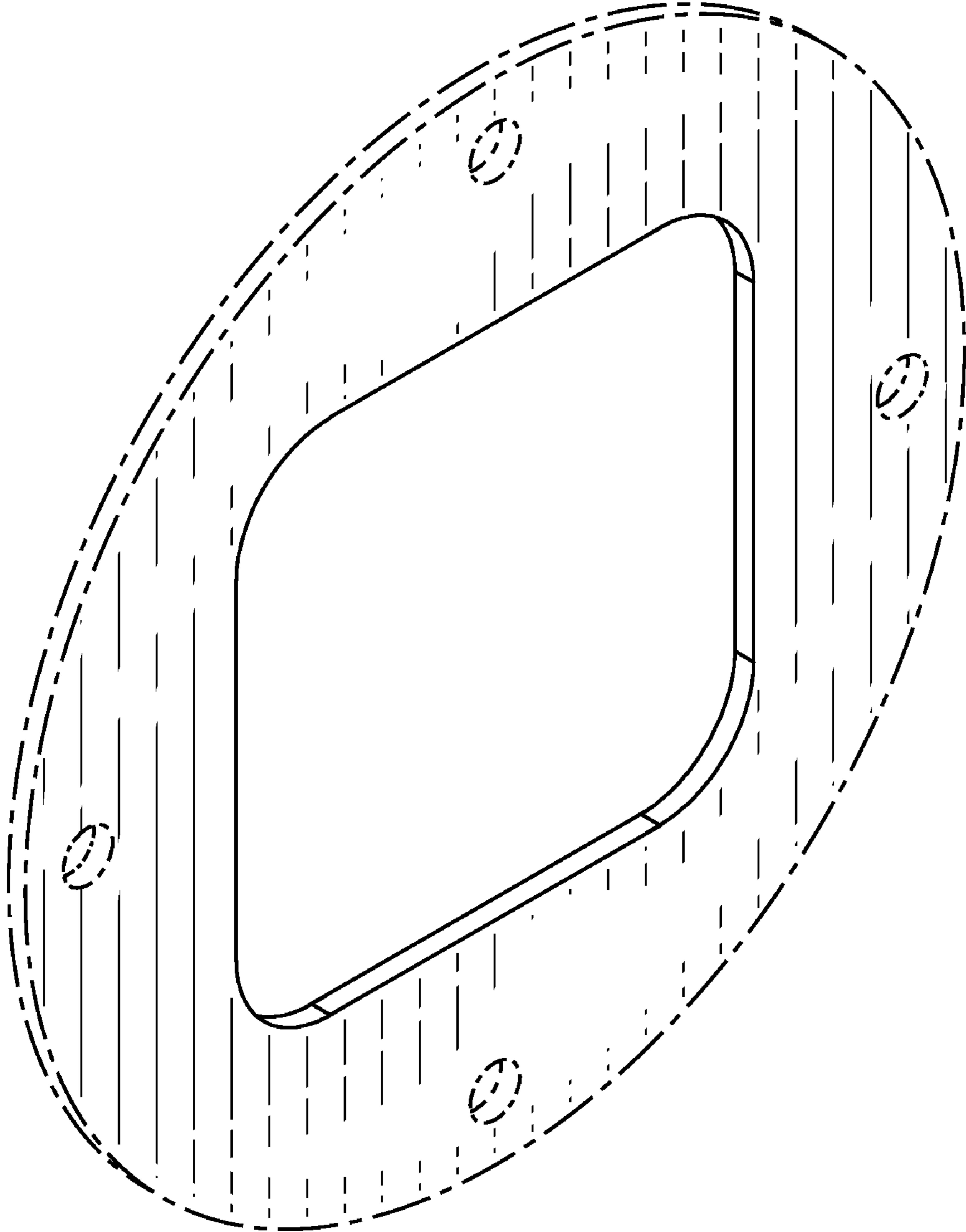


Fig. 15

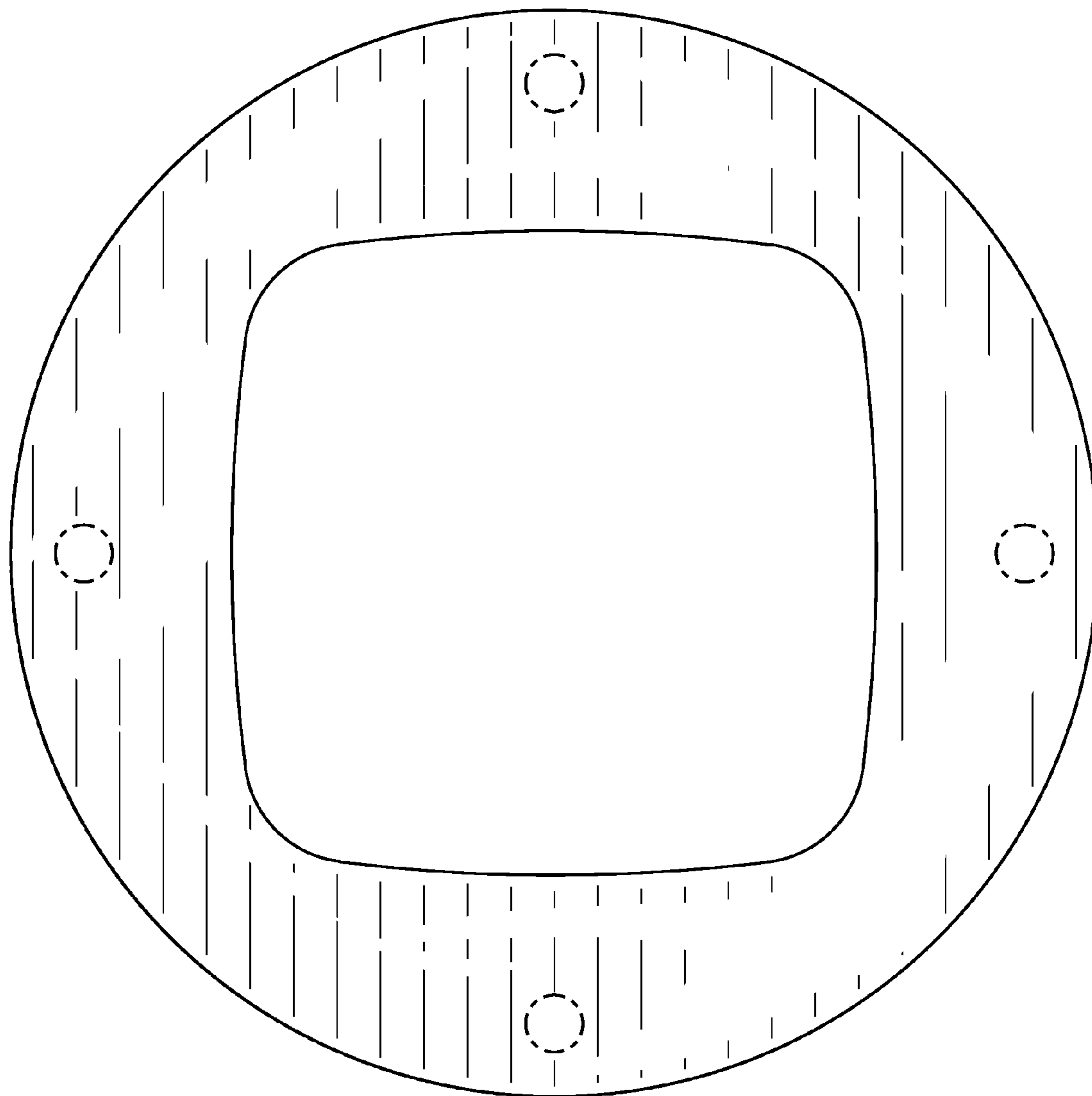


Fig. 16

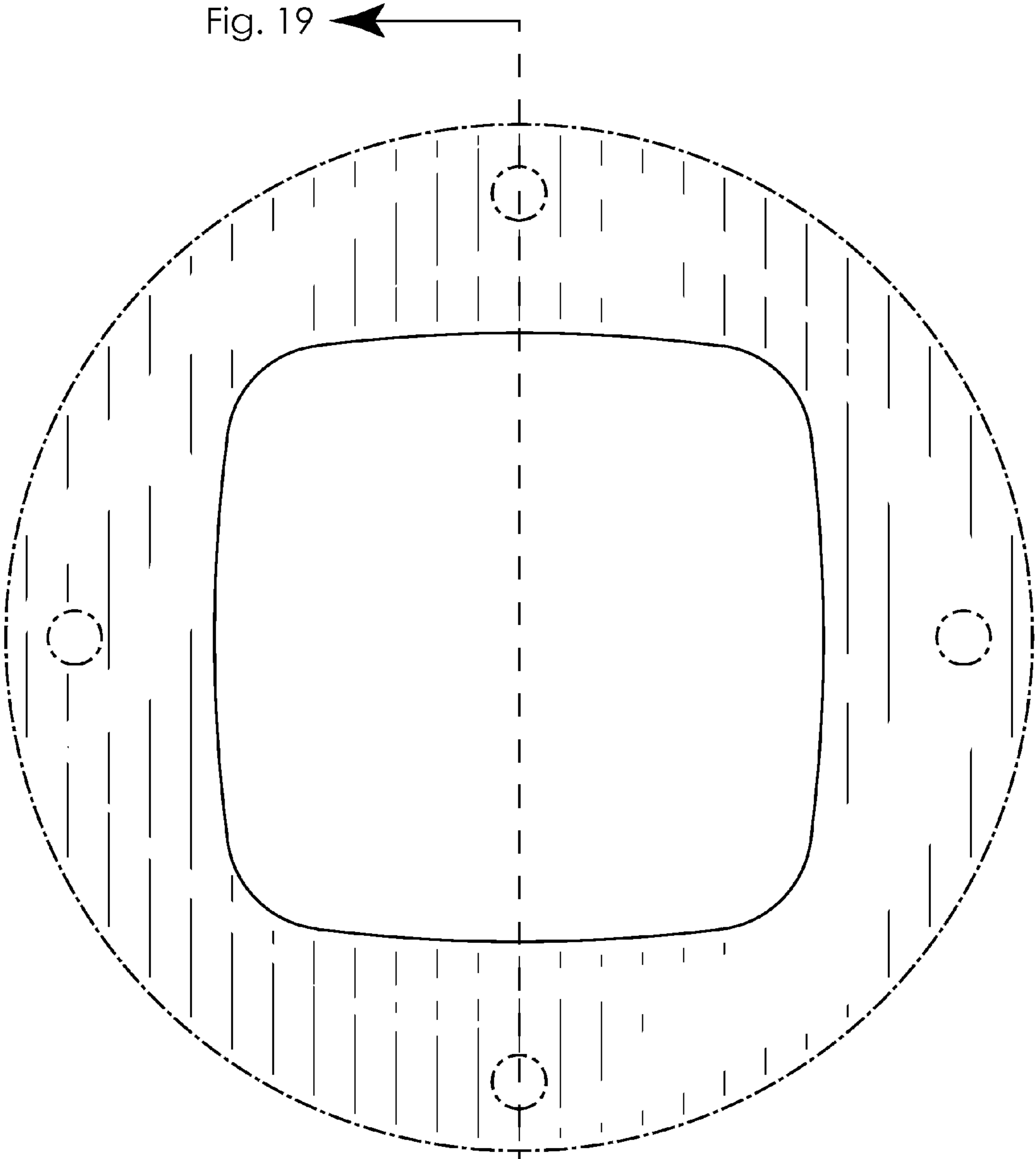


Fig. 19 ←

Fig. 17



Fig. 18

Fig. 19

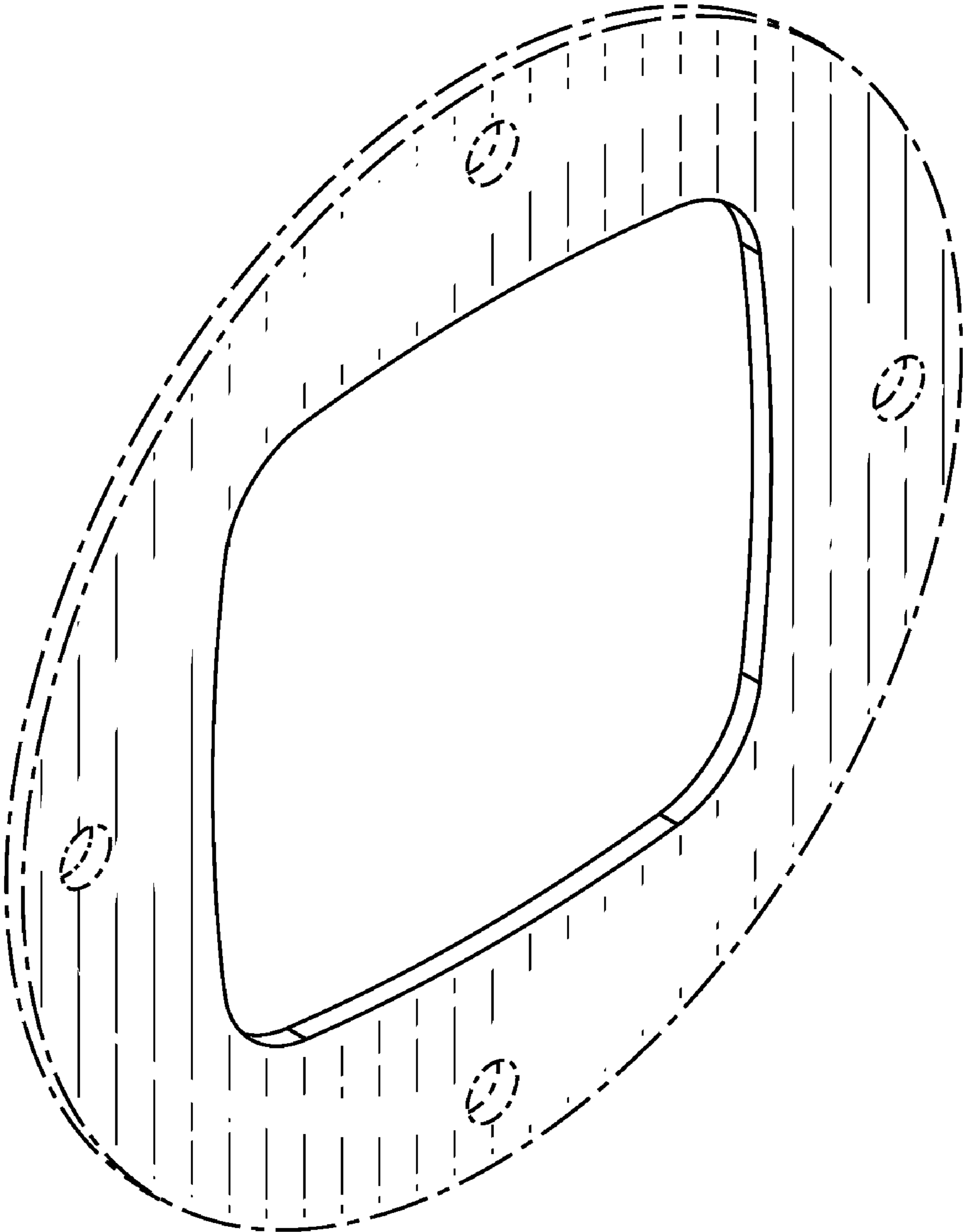


Fig. 20