



US00D666852S

(12) **United States Design Patent**
Gioe

(10) **Patent No.:** **US D666,852 S**

(45) **Date of Patent:** **** *Sep. 11, 2012**

(54) **BED**

(76) Inventor: **Anthony Gioe**, Pelham, NY (US)

(*) Notice: This patent is subject to a terminal disclaimer.

(**) Term: **14 Years**

(21) Appl. No.: **29/401,668**

(22) Filed: **Sep. 14, 2011**

(51) **LOC (9) Cl.** **06-06**

(52) **U.S. Cl.** **D6/508; D6/393**

(58) **Field of Classification Search** D6/382–385,
D6/388–395, 505–508, 503, 331; 5/93.1,
5/97, 98.2, 99.1, 53.1, 907, 279.1, 280, 281;
D21/520; D25/42

See application file for complete search history.

(56) **References Cited**

U.S. PATENT DOCUMENTS

D165,921 S * 2/1952 Ippolito D21/520
D403,542 S * 1/1999 Feldstein D6/503
6,618,878 B1 * 9/2003 McCoy et al. 5/95
D617,574 S * 6/2010 Lake D6/390

OTHER PUBLICATIONS

Yankee Stadium Inaugural Game Frieze—1923-1973, www. flickr.com.*

Wikipedia.com, Yankee-stadium-frieze.jpg., photo May 24, 2009.*

New York Yankees Partnership Executive Offices Yankee Stadium Bronx New York 10451, Design Only, U.S. Serial No. 77242605, filed Jul. 30, 2007, 2 pages.

New York Yankees Partnership Executive Offices Yankee Stadium Bronx New York 10451, Design Only, U.S. Serial No. 77242601, filed Jul. 30, 2007, 2 pages.

New York Yankees Partnership Executive Offices Yankee Stadium Bronx New York 10451, Design Only, U.S. Serial No. 77242597, filed Jul. 30, 2007, 2 pages.

New York Yankees Partnership Executive Offices Yankee Stadium Bronx New York 10451, Design Only, U.S. Serial No. 77242611, filed Jul. 30, 2007, 2 pages.

New York Yankees Partnership Executive Offices Yankee Stadium Bronx New York 10451, Design Only, U.S. Serial No. 77242606, filed Jul. 30, 2007, 2 pages.

New York Yankees Partnership Executive Offices Yankee Stadium Bronx New York 10451, Design Only, U.S. Serial No. 77242609, filed Jul. 30, 2007, 2 pages.

* cited by examiner

Primary Examiner — Janice Seeger

(74) *Attorney, Agent, or Firm* — Kyle M. Zeller; King & Spalding LLP

(57) **CLAIM**

The ornamental design for a bed, as shown and described.

DESCRIPTION

FIG. 1 is a perspective view of a bed according to the invention;

FIG. 2 is a front view of a bed showing my new design;

FIG. 3 is a rear view thereof;

FIG. 4 is a side view thereof;

FIG. 5 is side opposite that shown in FIG. 4; and,

FIG. 6 is a top plan view thereof.

The portions of the figures illustrated in broken lines are provided for illustrative purposes only and form no part of the claimed design.

Portions of the frieze forming part of the claimed design may include elements of one or more current or prior trademarks of New York Yankees Partnership, Executive Offices, Yankee Stadium, One East 161st Street, Bronx, NY 10451.

1 Claim, 6 Drawing Sheets

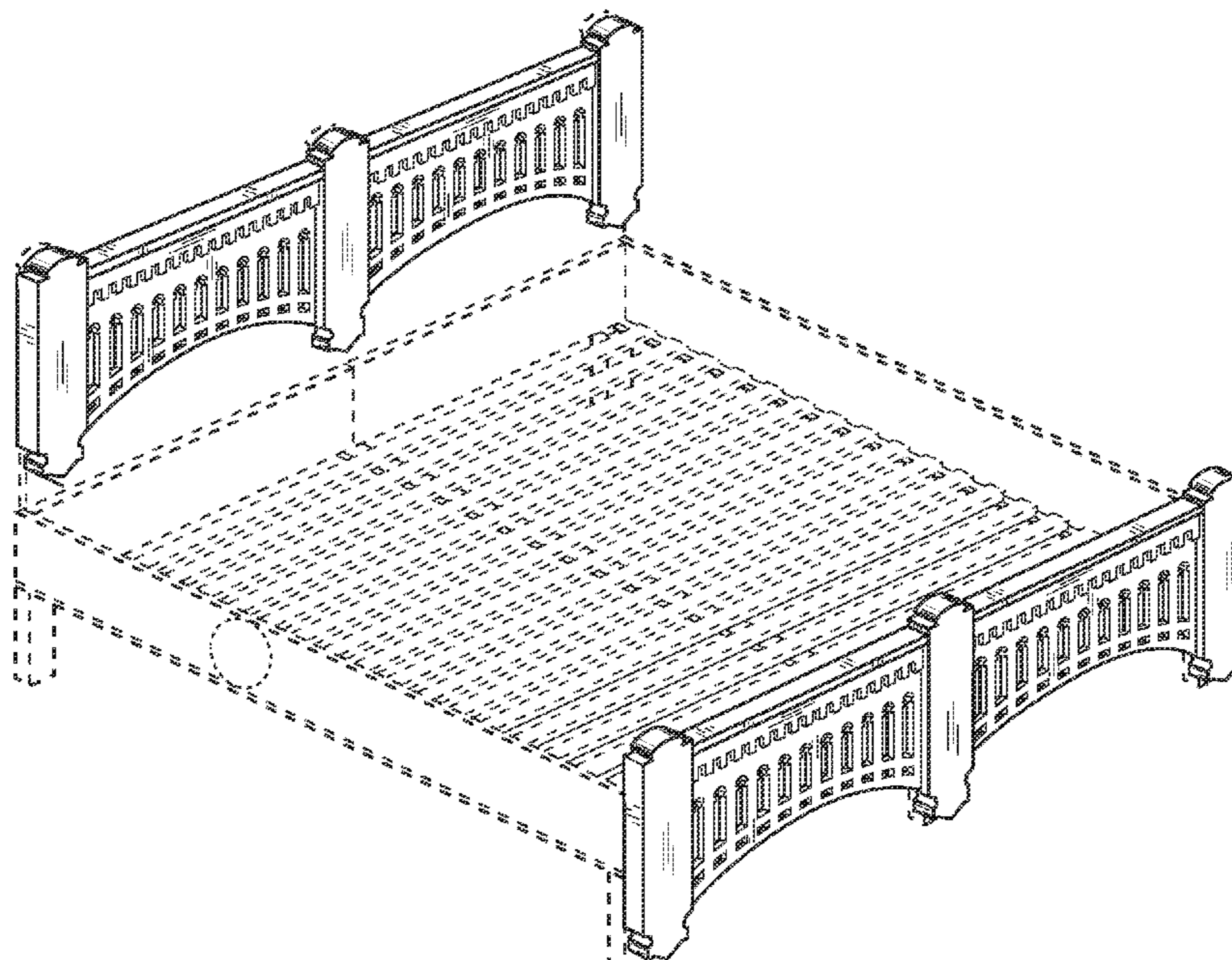


FIG. 1

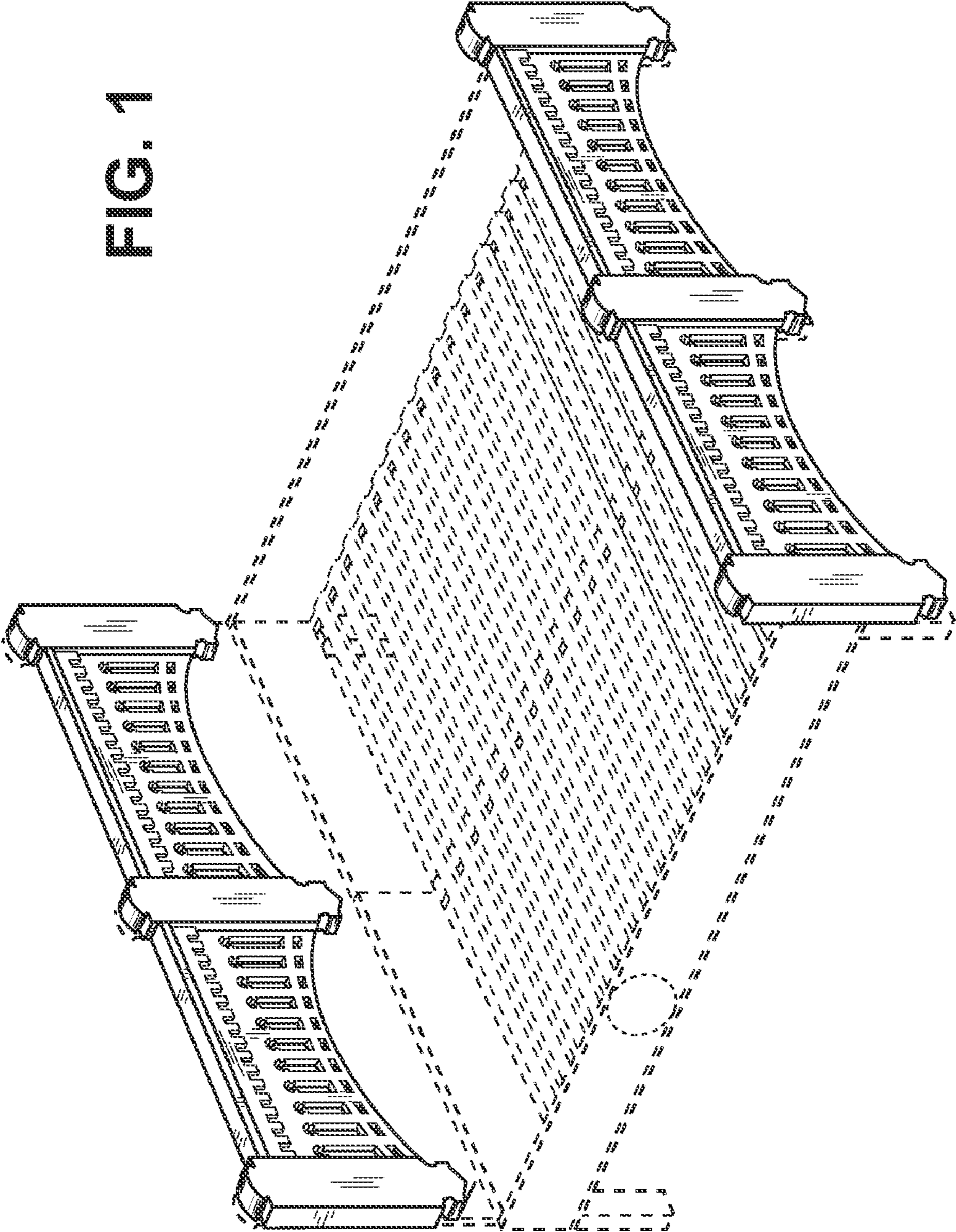


FIG. 2

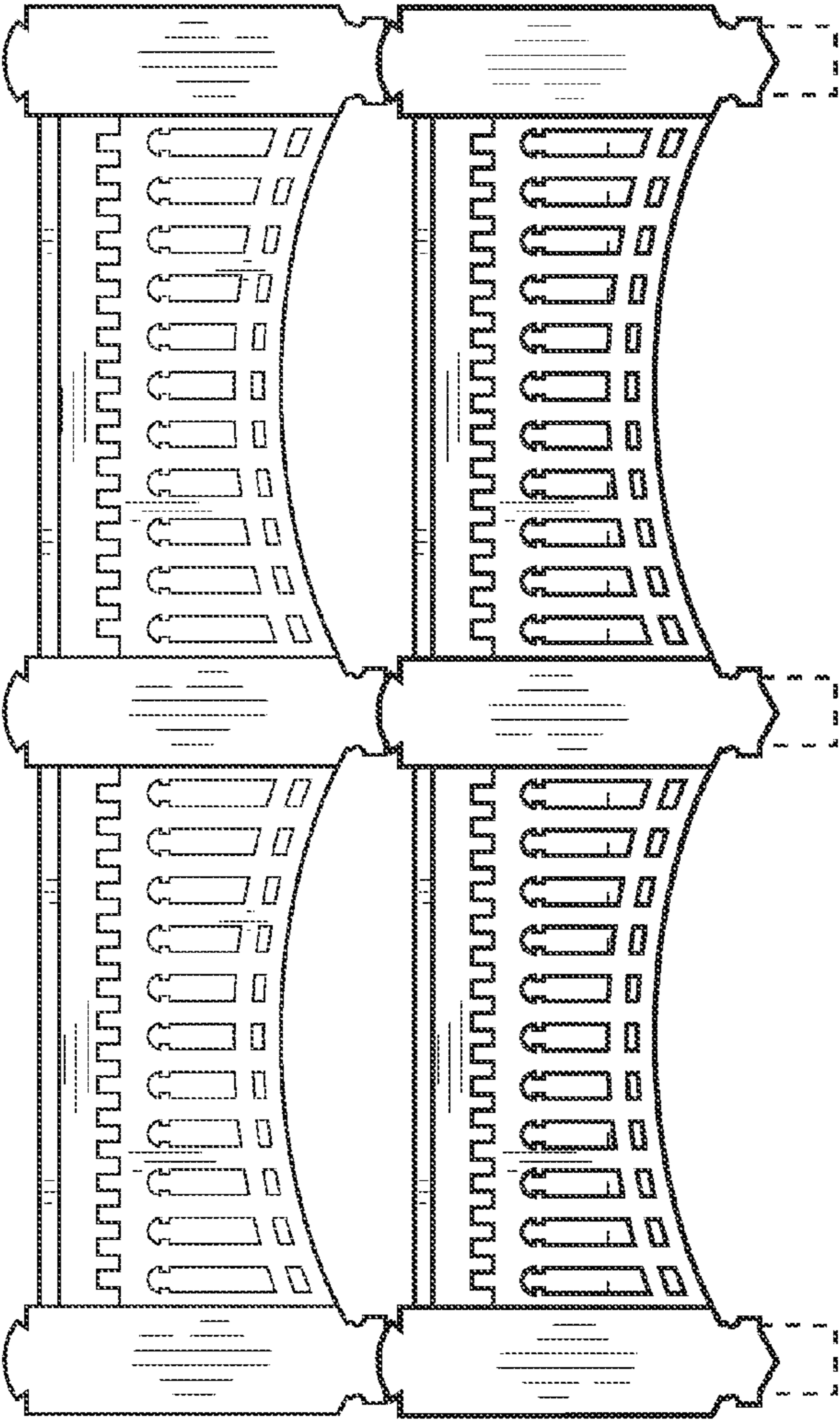


FIG. 3

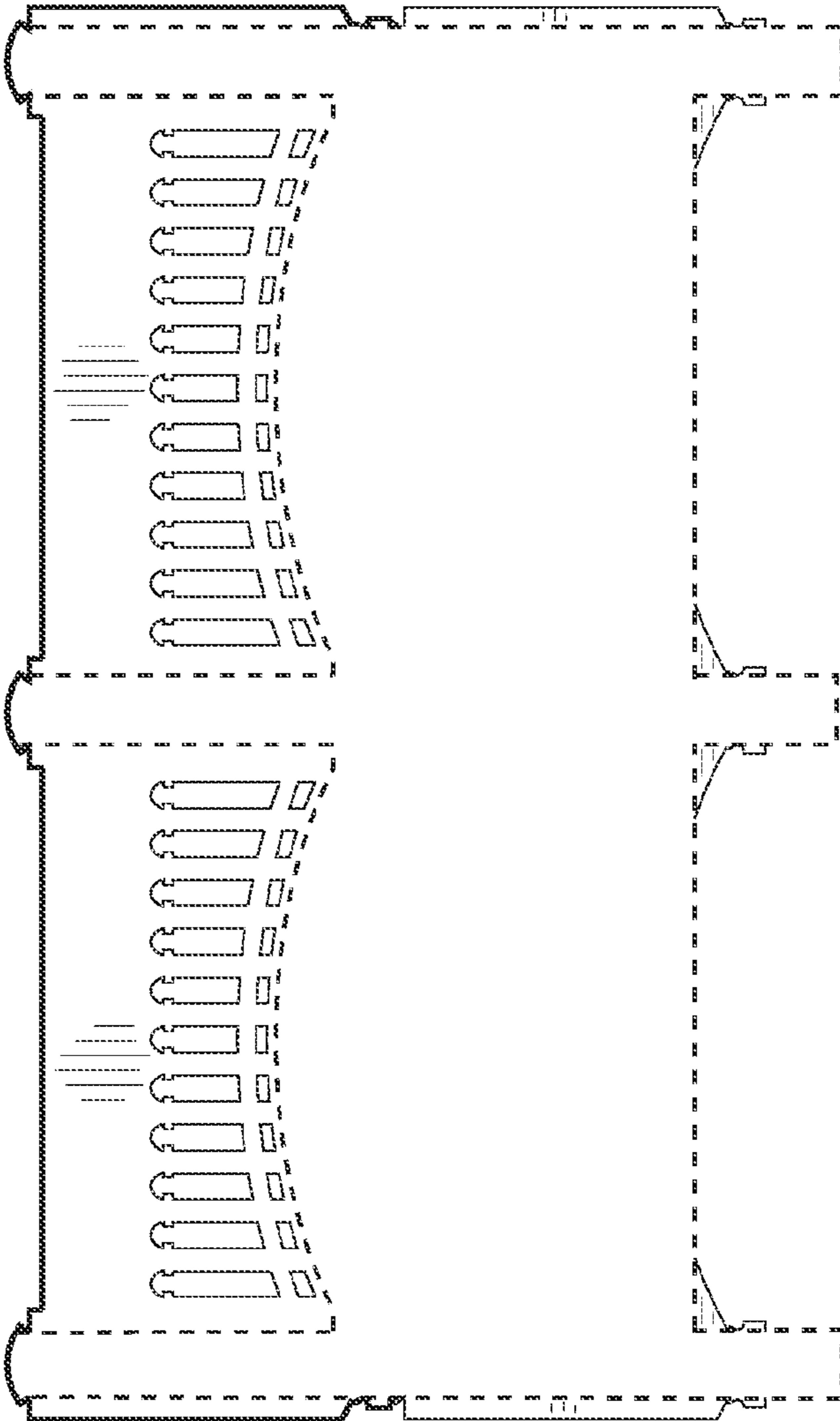


FIG. 4

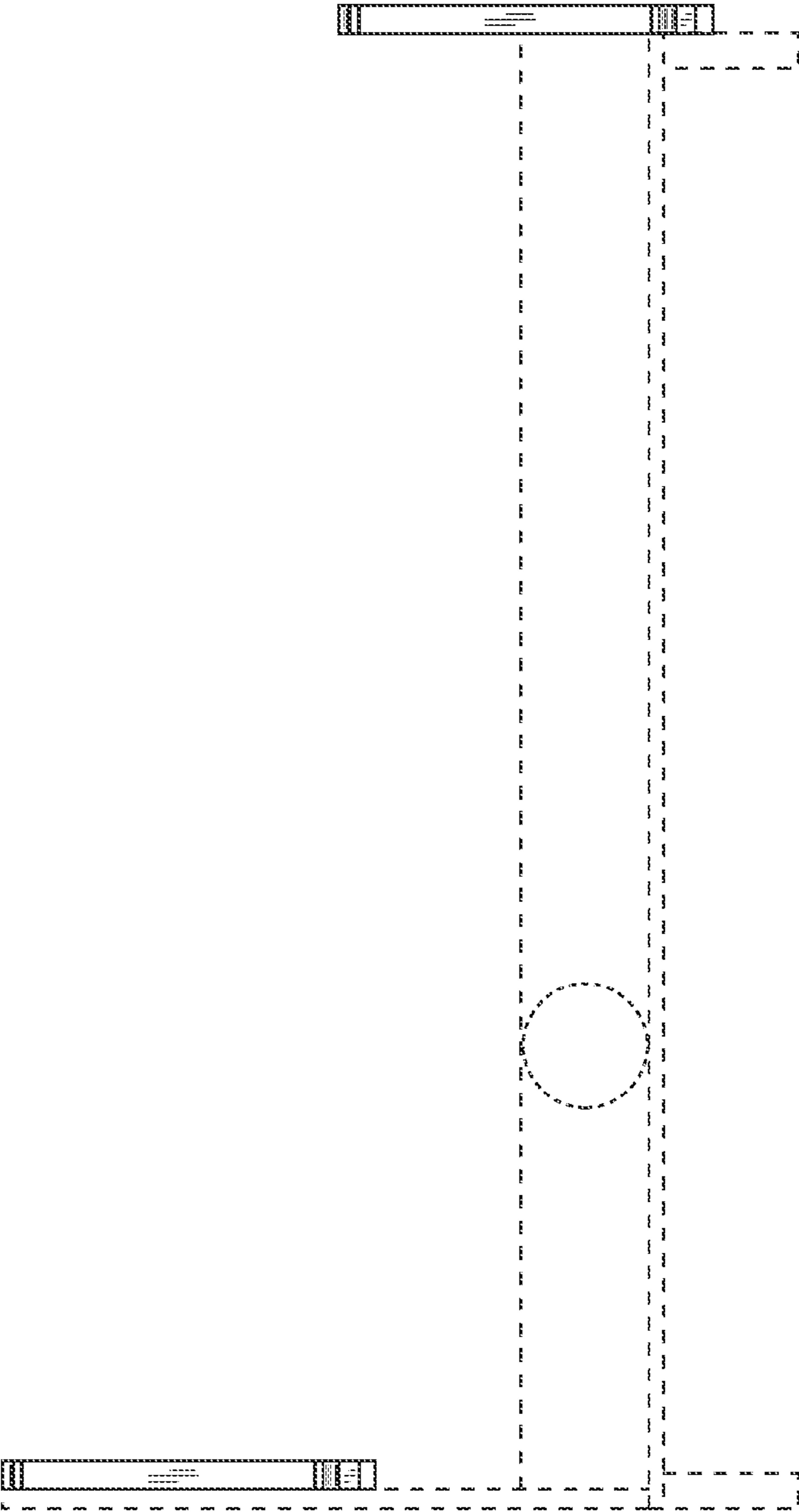
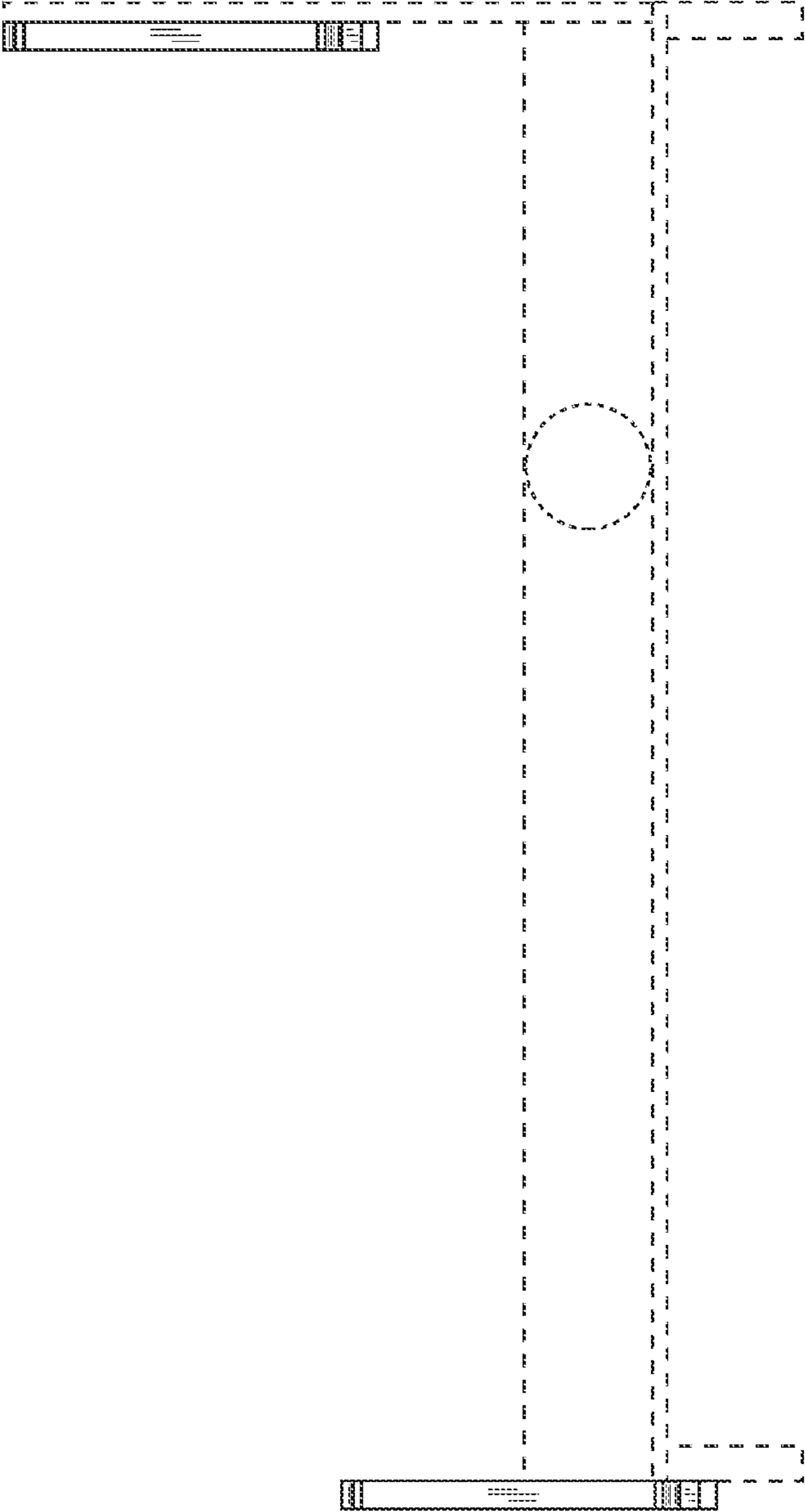


FIG. 5



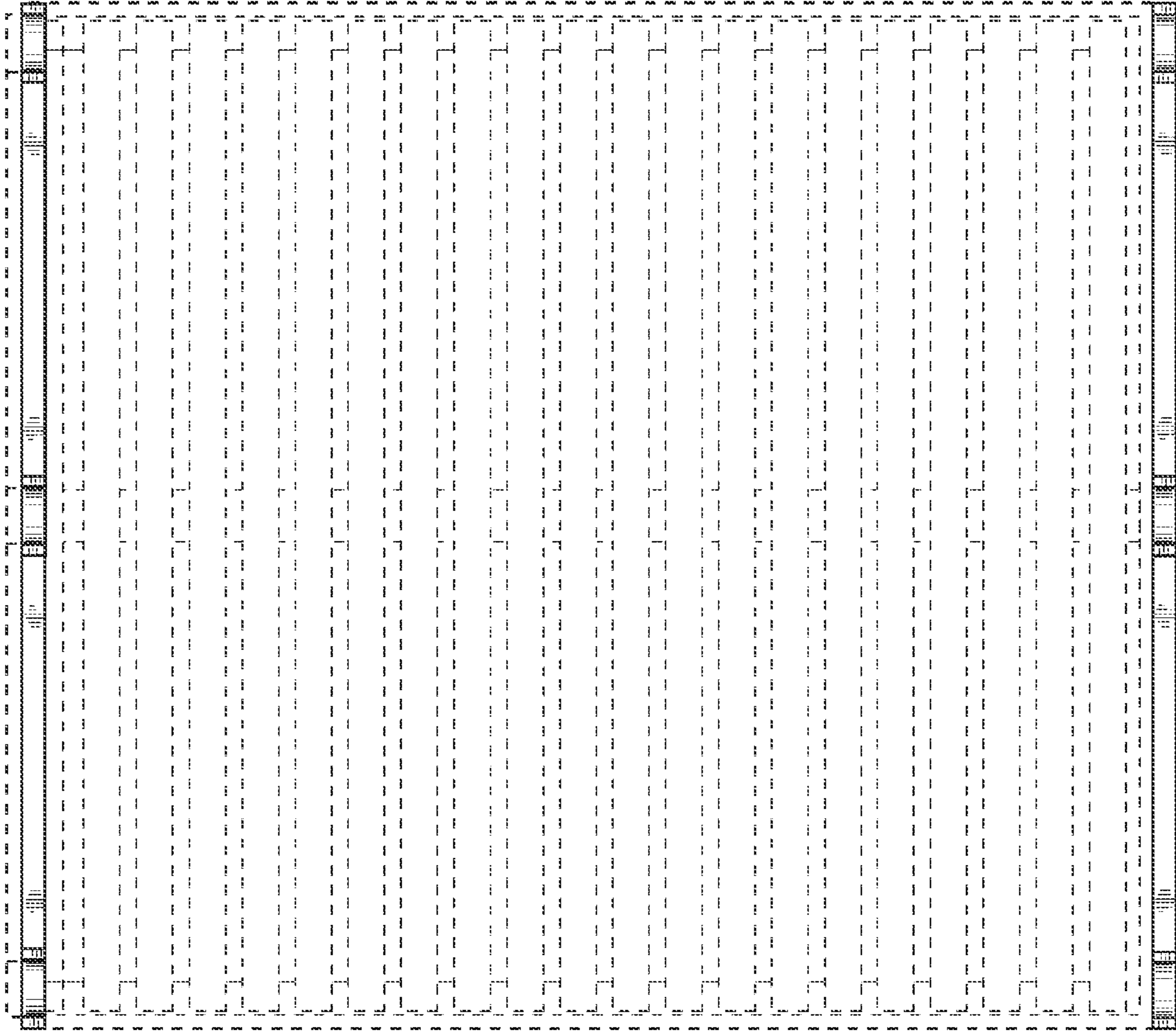


FIG. 6