



US00D666851S

(12) **United States Design Patent**  
**Gioe**

(10) **Patent No.:** **US D666,851 S**

(45) **Date of Patent:** **\*\* \*Sep. 11, 2012**

(54) **BED**

(76) Inventor: **Anthony Gioe**, Pelham, NY (US)

(\*) Notice: This patent is subject to a terminal disclaimer.

(\*\*) Term: **14 Years**

(21) Appl. No.: **29/401,606**

(22) Filed: **Sep. 13, 2011**

(51) **LOC (9) Cl.** ..... **06-06**

(52) **U.S. Cl.** ..... **D6/508; D6/393**

(58) **Field of Classification Search** ..... D6/382,  
D6/384, 385, 388-395, 505-508, 503, 331;  
5/93.1, 97, 98.2, 99.1, 53.1, 907, 279.1, 280,  
5/281; D21/520; D25/42

See application file for complete search history.

(56) **References Cited**

**U.S. PATENT DOCUMENTS**

D165,921 S *	2/1952	Ippolito	.....	D21/520
D403,542 S *	1/1999	Feldstein	.....	D6/503
6,618,878 B1 *	9/2003	McCoy et al.	.....	5/95
D617,574 S *	6/2010	Lake	.....	D6/390

**OTHER PUBLICATIONS**

Yankee Stadium Inaugural Game Frieze—1923-1973, www. flickr.com.\*

Wikipedia.com, Yankee-stadium-frieze.jpg, photo May 24, 2009.\*

New York Yankees Partnership Executive Offices Yankee Stadium Bronx New York 10451, Design Only, U.S. Serial No. 77242605, filed Jul. 30, 2007, 2 pages.

New York Yankees Partnership Executive Offices Yankee Stadium Bronx New York 10451, Design Only, U.S. Serial No. 77242601, filed Jul. 30, 2007, 2 pages.

New York Yankees Partnership Executive Offices Yankee Stadium Bronx New York 10451, Design Only, U.S. Serial No. 77242597, filed Jul. 30, 2007, 2 pages.

New York Yankees Partnership Executive Offices Yankee Stadium Bronx New York 10451, Design Only, U.S. Serial No. 77242611, filed Jul. 30, 2007, 2 pages.

New York Yankees Partnership Executive Offices Yankee Stadium Bronx New York 10451, Design Only, U.S. Serial No. 77242606, filed Jul. 30, 2007, 2 pages.

New York Yankees Partnership Executive Offices Yankee Stadium Bronx New York 10451, Design Only, U.S. Serial No. 77242609, filed Jul. 30, 2007, 2 pages.

\* cited by examiner

*Primary Examiner* — Janice Seeger

(74) *Attorney, Agent, or Firm* — Kyle M. Zeller; King & Spalding LLP

(57) **CLAIM**

The ornamental design for a bed, as shown and described.

**DESCRIPTION**

FIG. 1 is a perspective view of a bed according to the invention;

FIG. 2 is a front view of a bed showing my new design;

FIG. 3 is a rear view thereof;

FIG. 4 is a side view thereof;

FIG. 5 is side opposite that shown in FIG. 4;

FIG. 6 is a top plan view thereof; and,

FIG. 7 is a bottom plan view thereof.

The portions of the figures illustrated in broken lines are provided for illustrative purposes only and form no part of the claimed design.

**1 Claim, 7 Drawing Sheets**

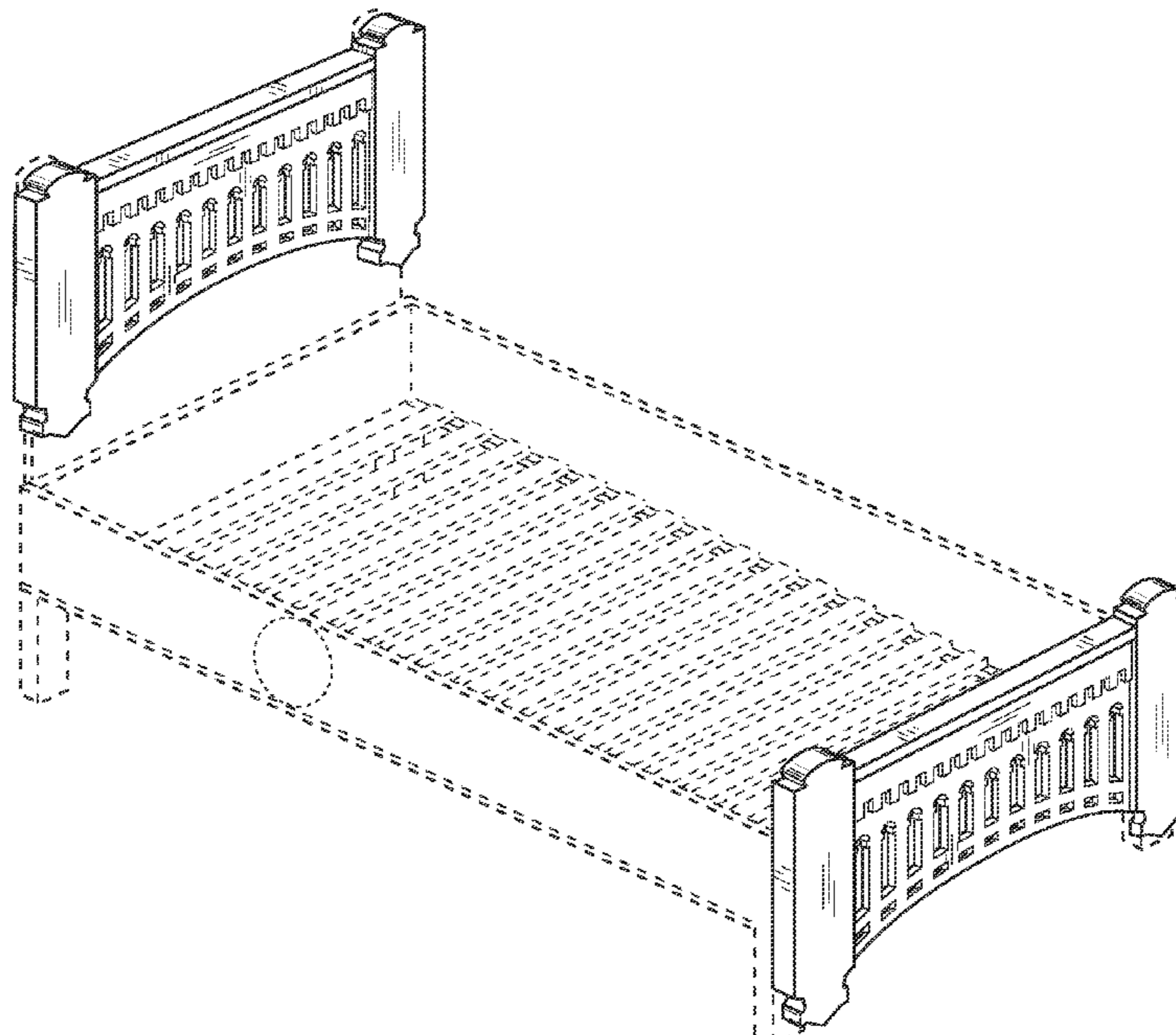


FIG. 1

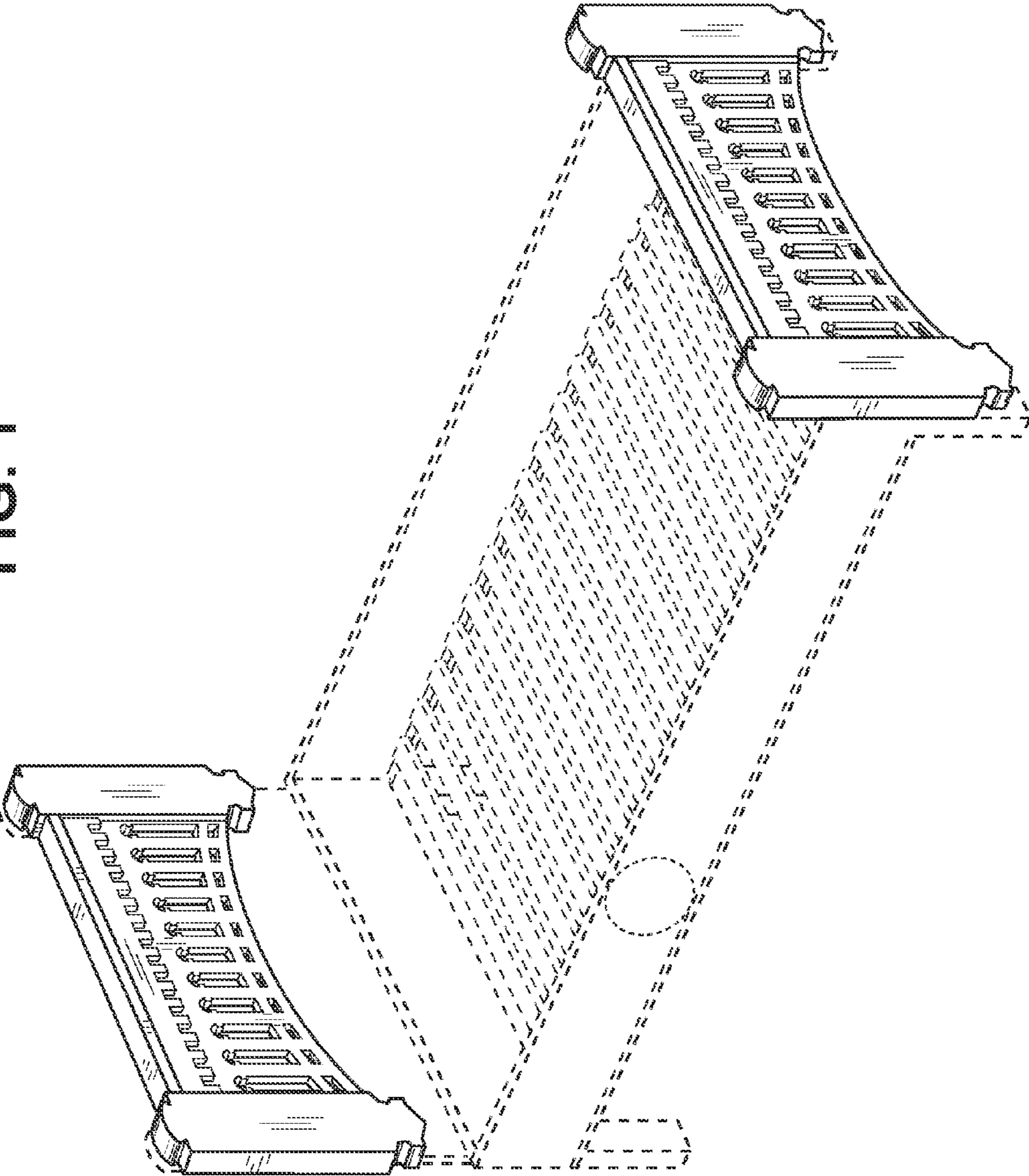


FIG. 2

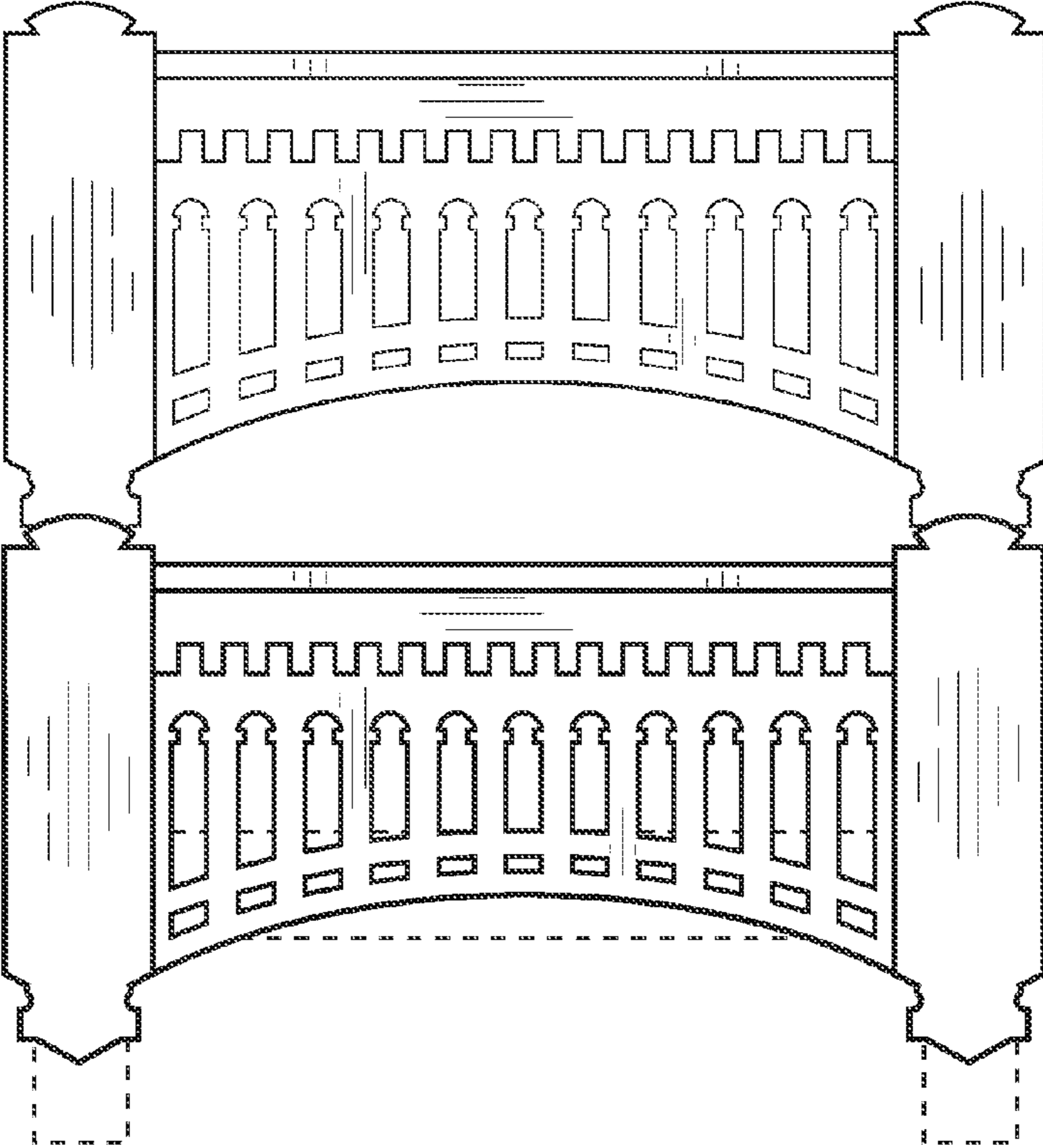


FIG. 3

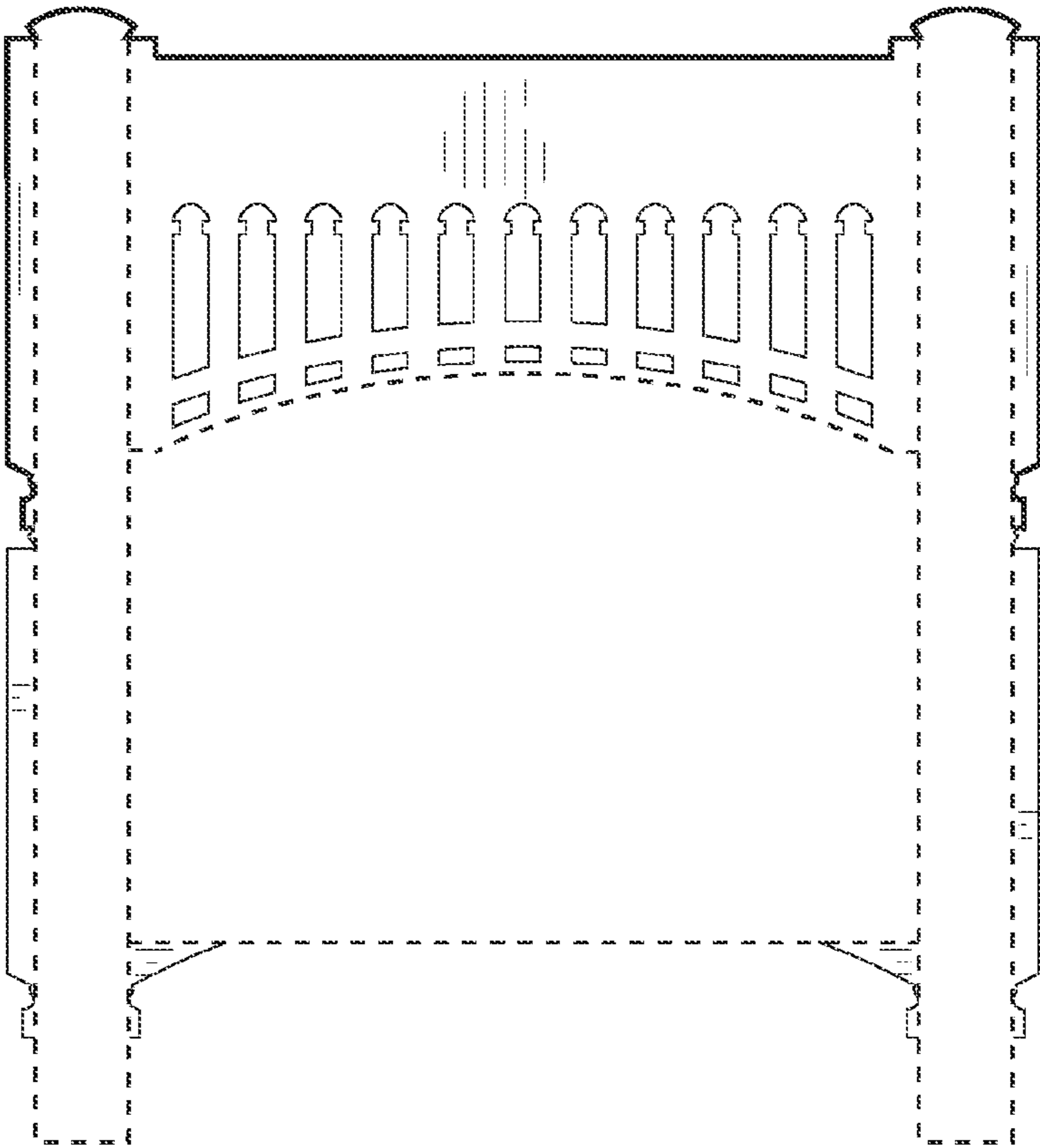


FIG. 4

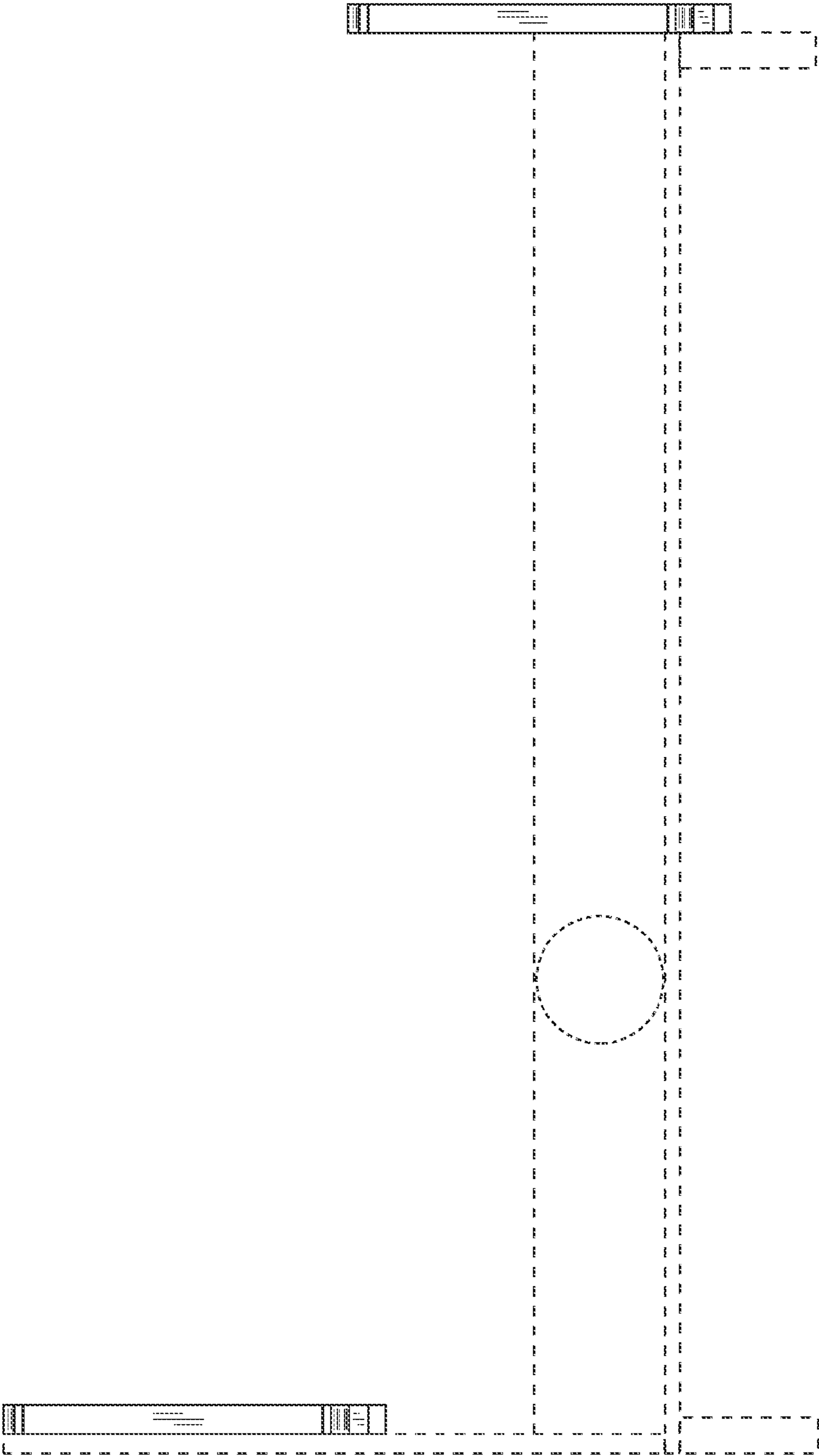
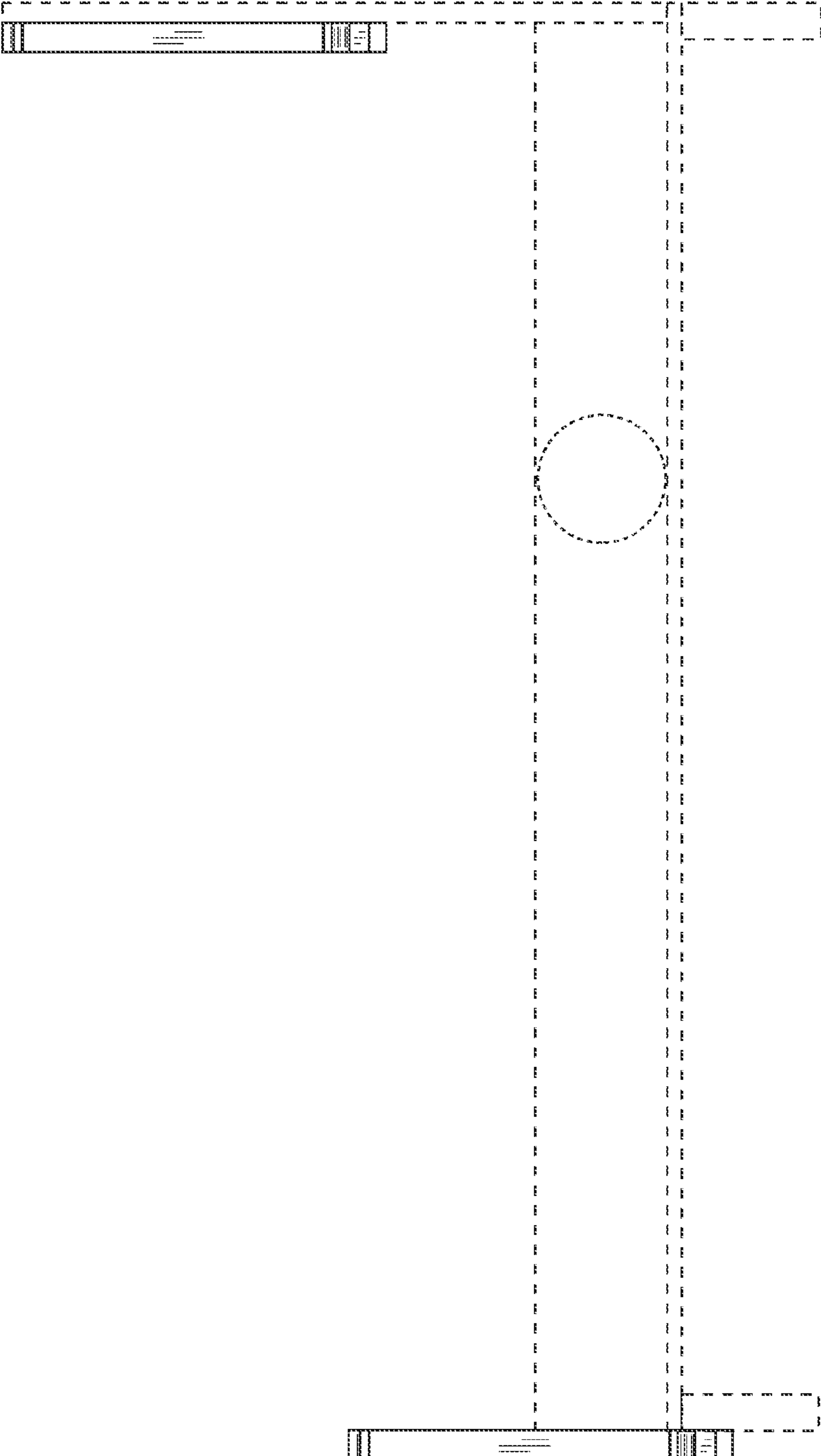


FIG. 5



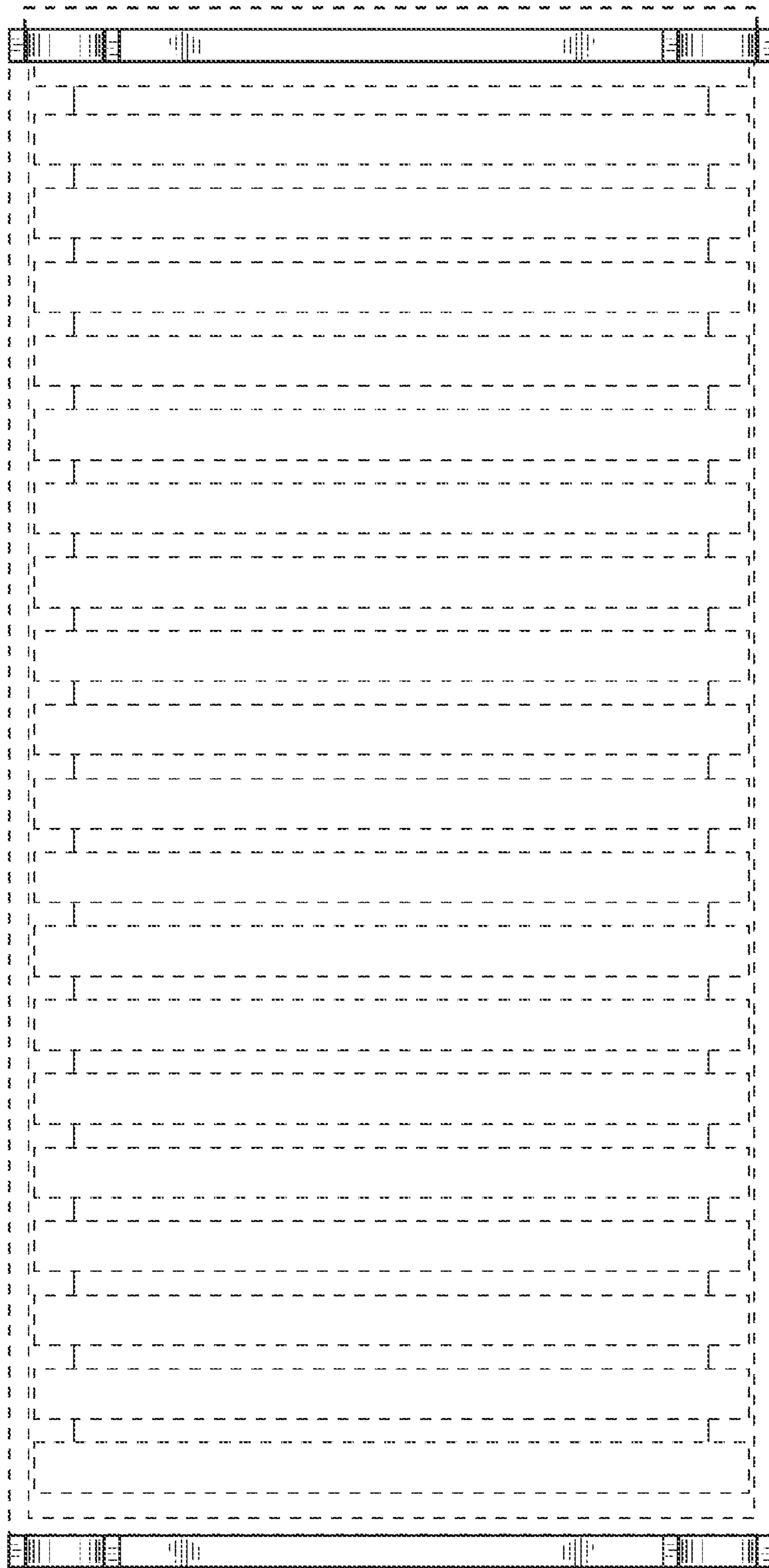


FIG. 6

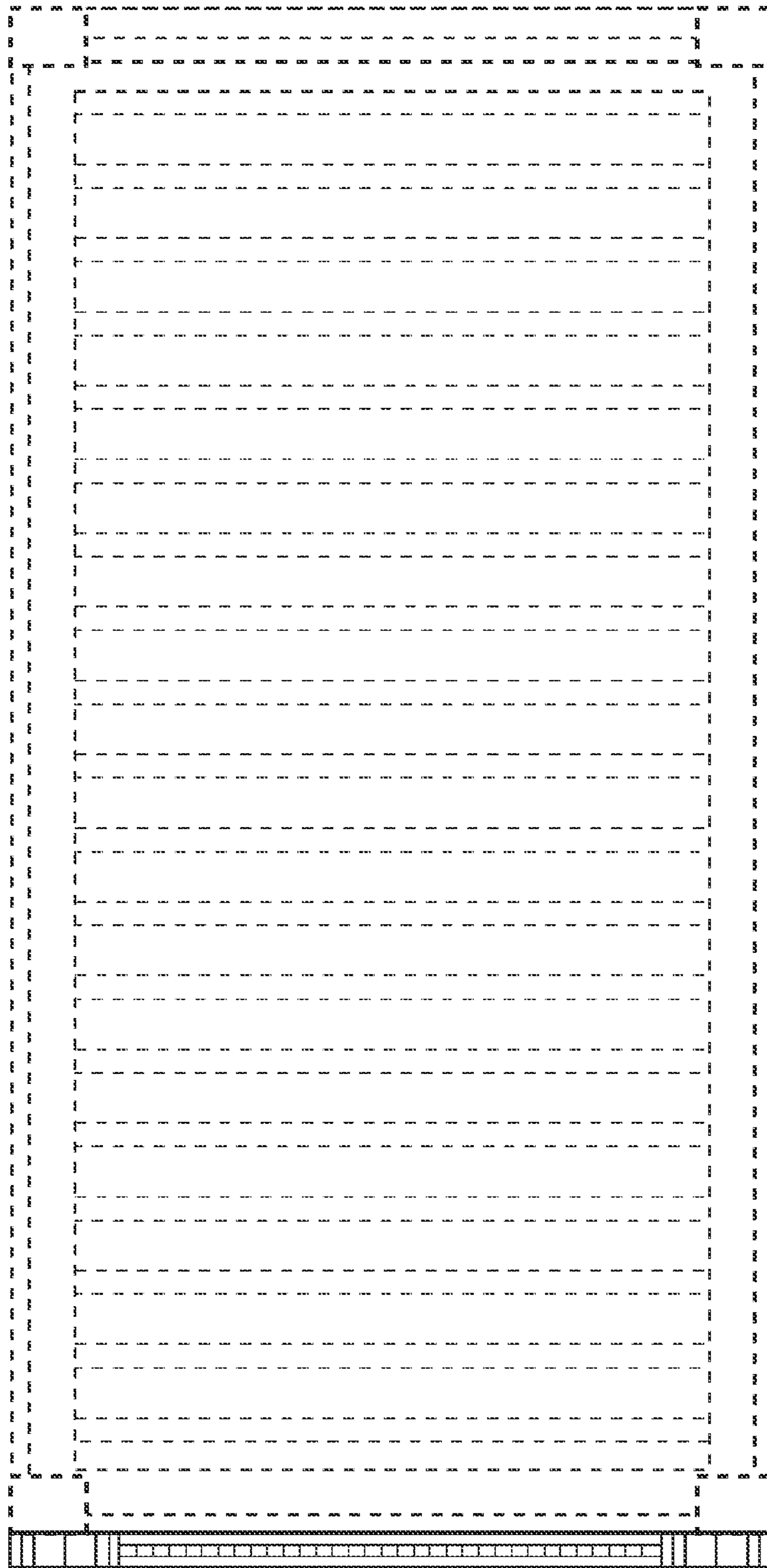


FIG. 7