

US00D666850S

(12) **United States Design Patent**  
**Muller**

(10) **Patent No.:** **US D666,850 S**

(45) **Date of Patent:** **\*\* Sep. 11, 2012**

- (54) **TABLE BASE**
- (75) Inventor: **Carl A. Muller**, Huntington Beach, CA (US)
- (73) Assignee: **Elite Manufacturing Corporation**, Santa Fe Springs, CA (US)
- (\*\*) Term: **14 Years**
- (21) Appl. No.: **29/411,956**
- (22) Filed: **Jan. 27, 2012**
- (51) **LOC (9) Cl.** ..... **06-06**
- (52) **U.S. Cl.** ..... **D6/495; D6/482**
- (58) **Field of Classification Search** ..... D6/480-489, D6/495-499, 477, 479, 450-451; 108/150, 108/152, 153.1, 156, 161; 248/188, 188.1, 248/188.8  
See application file for complete search history.

D502,825 S	3/2005	Muller	
D509,385 S	9/2005	Muller	
D511,912 S *	11/2005	Blonder	..... D6/486
D519,761 S	5/2006	Muller	
D526,821 S	8/2006	Muller	
D530,546 S	10/2006	Muller	
D541,560 S	5/2007	Muller	
D543,733 S	6/2007	Muller	
D545,087 S	6/2007	Muller	
D559,019 S *	1/2008	Roberts	..... D6/495
D563,123 S	3/2008	Muller	
D566,996 S	4/2008	Muller	
D566,997 S	4/2008	Muller	
D573,376 S	7/2008	Muller	
D573,377 S	7/2008	Muller	
D574,640 S	8/2008	Muller	
D578,322 S	10/2008	Muller	

(Continued)

**OTHER PUBLICATIONS**

Opus Oval Table, Console Table, and Cocktail Table, available from Johnston Casuals, North Wilkesboro, North Carolina, 2-pages, at least as early as Jul. 2010.

*Primary Examiner* — Janice Seeger

(74) *Attorney, Agent, or Firm* — Heslin Rothenberg Farley & Mesiti P.C.

(56) **References Cited**

**U.S. PATENT DOCUMENTS**

3,705,556 A *	12/1972	Kelly	..... 108/147.22
D373,269 S	9/1996	Muller	
D382,422 S	8/1997	Muller	
D384,529 S	10/1997	Muller	
D384,839 S	10/1997	Muller	
D388,979 S *	1/1998	Walters et al.	..... D6/480
D389,347 S	1/1998	Muller	
D389,674 S	1/1998	Muller	
D402,142 S	12/1998	Muller	
D402,487 S	12/1998	Muller	
D404,594 S	1/1999	Muller	
D408,652 S	4/1999	Muller	
D420,529 S	2/2000	Muller	
D433,254 S	11/2000	Muller	
D446,974 S	8/2001	Muller	
D469,990 S	2/2003	Muller	
D470,341 S	2/2003	Muller	
D470,345 S	2/2003	Muller	
D471,742 S	3/2003	Muller	
D491,387 S	6/2004	Muller	
D491,388 S	6/2004	Muller	

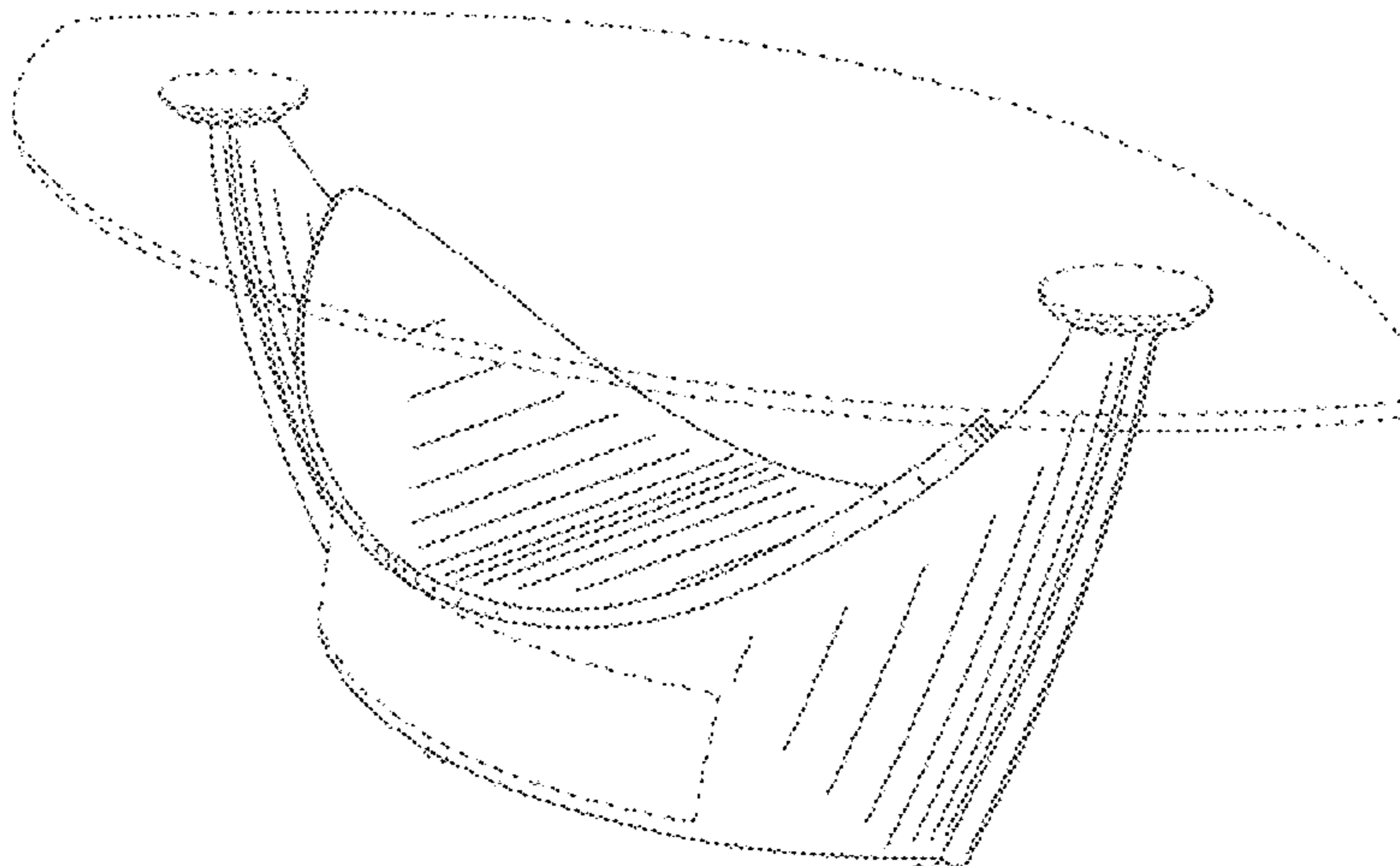
(57) **CLAIM**

The ornamental design for a table base, as shown and described.

**DESCRIPTION**

FIG. 1 is a perspective view of a table base in accordance with the new design;  
FIG. 2 is a front elevational view thereof;  
FIG. 3 is a right side elevational view thereof;  
FIG. 4 is a left side elevational view thereof;  
FIG. 5 is a rear elevational view thereof; and,  
FIG. 6 is a top view thereof.  
The broken lines in the figures are for illustrative purposes only and form no part of the claimed design.

**1 Claim, 6 Drawing Sheets**



# US D666,850 S

Page 2

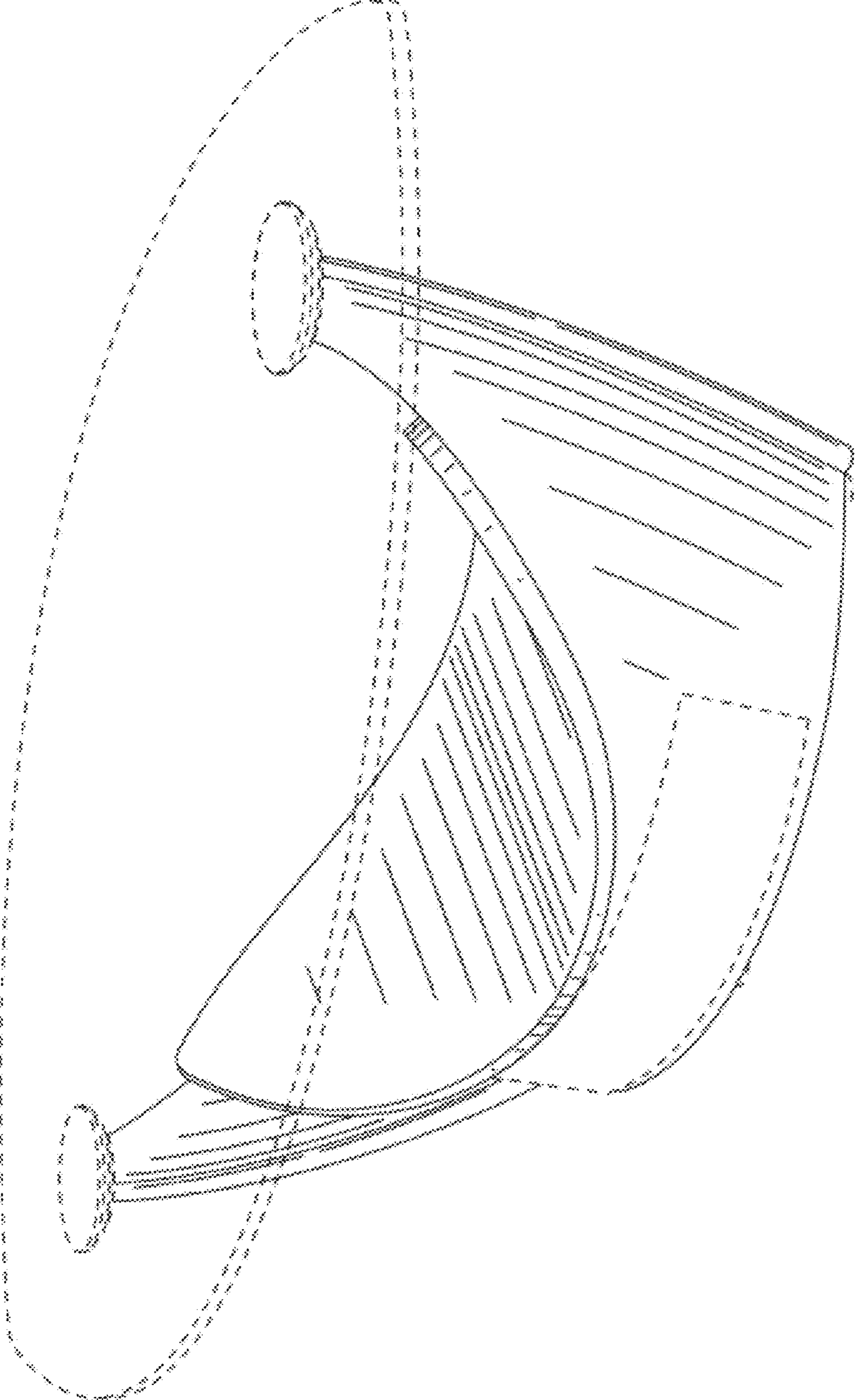
---

## U.S. PATENT DOCUMENTS

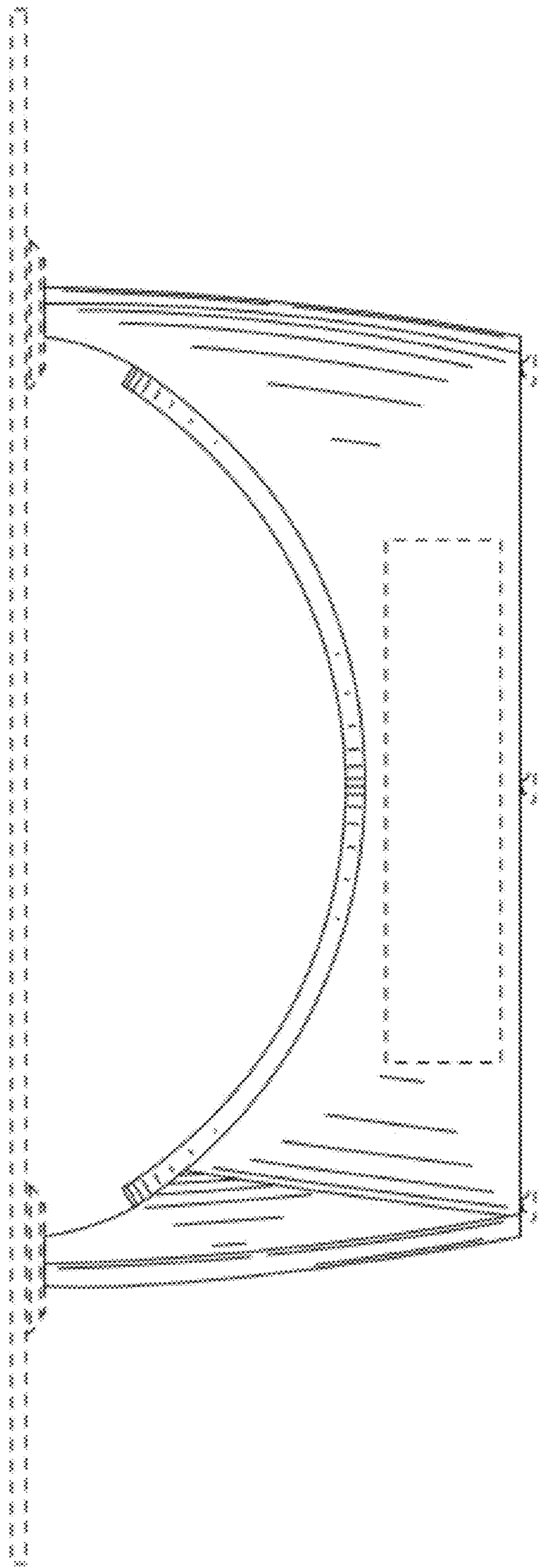
D578,323 S 10/2008 Muller  
D604,066 S 11/2009 Muller  
D604,533 S 11/2009 Muller  
D613,097 S 4/2010 Muller

D613,974 S 4/2010 Muller  
D646,081 S 10/2011 Muller  
D650,204 S 12/2011 Muller

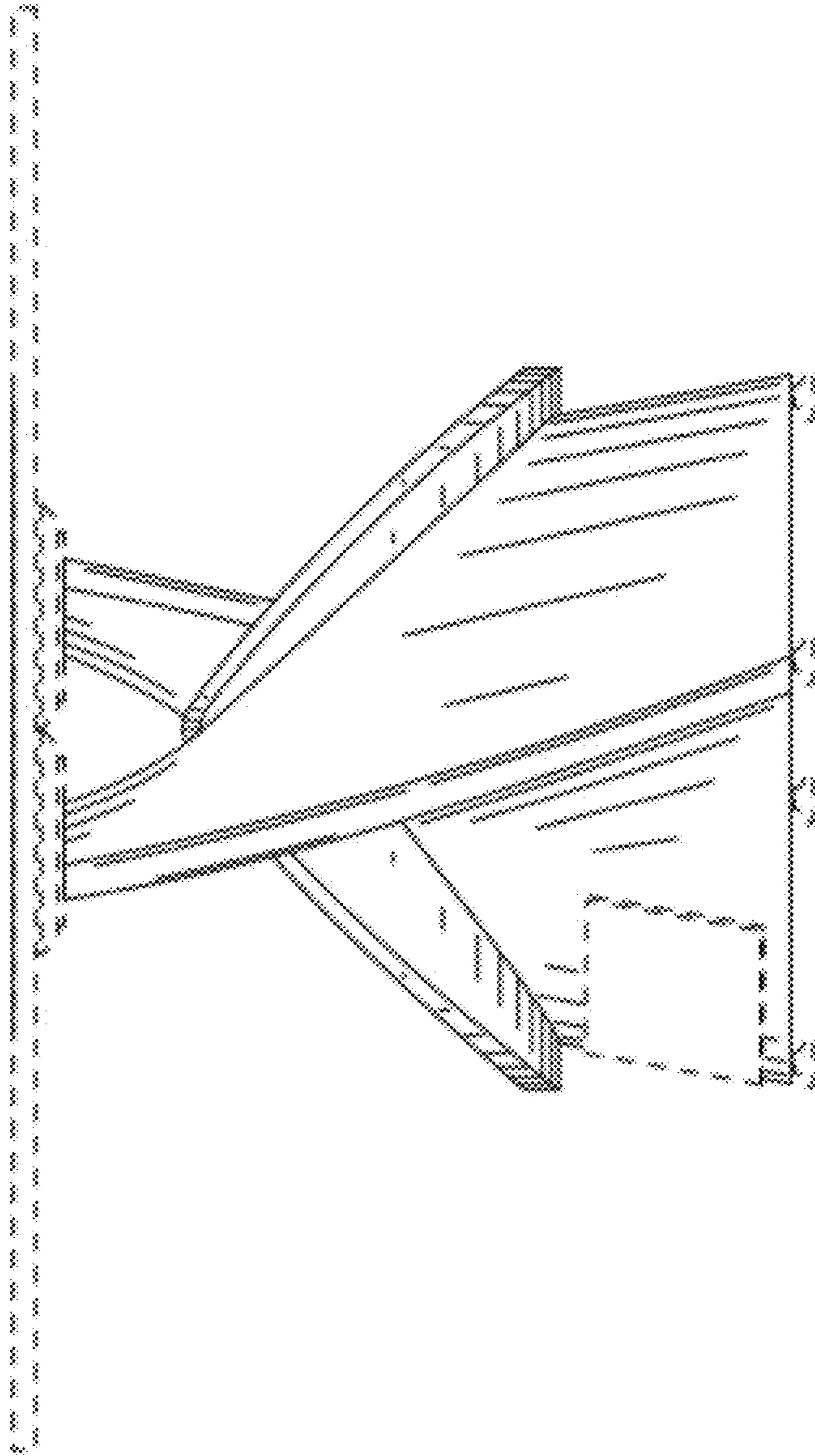
\* cited by examiner



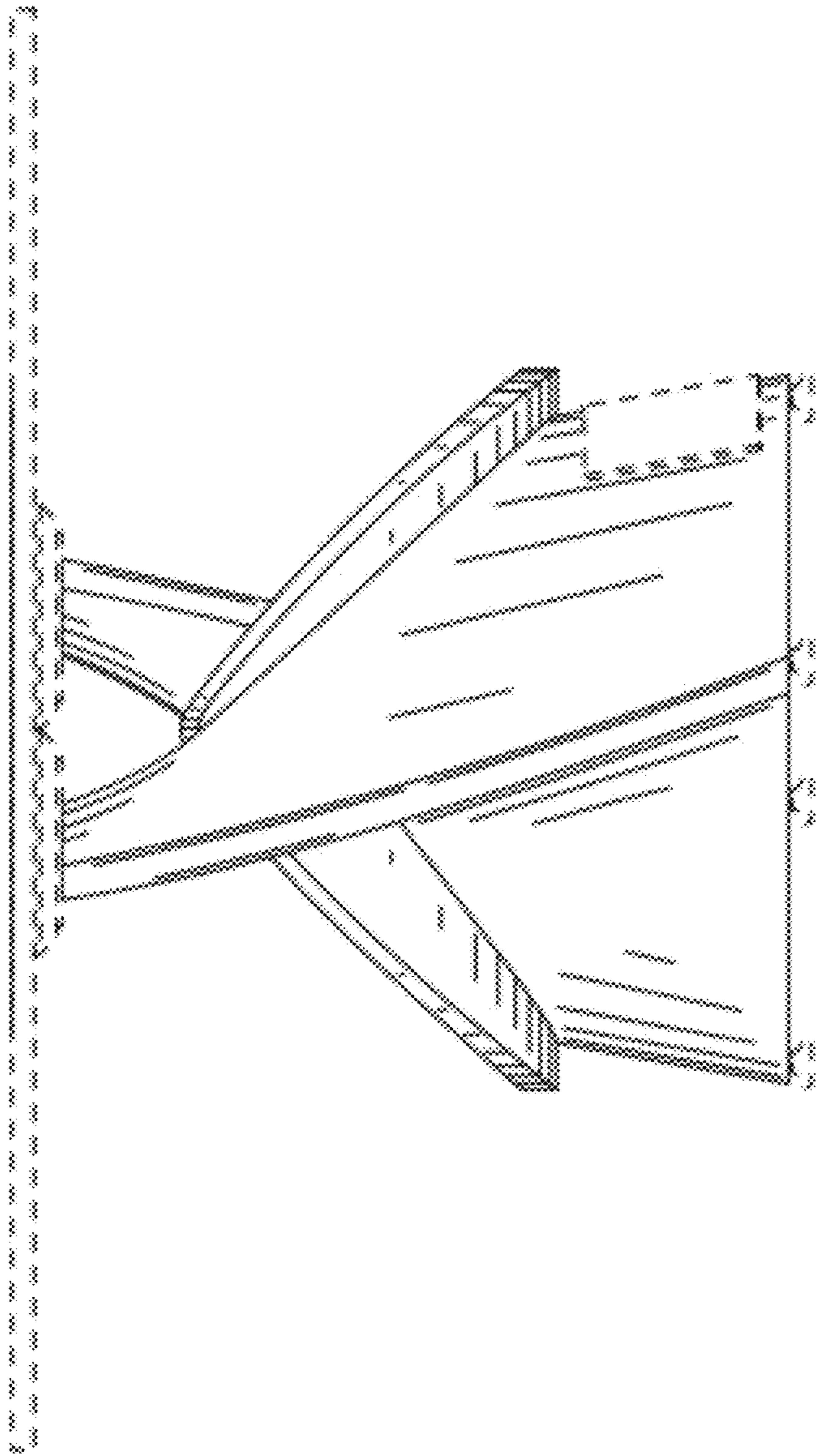
**FIG. 1**



**FIG. 2**



**FIG. 3**



**FIG. 4**

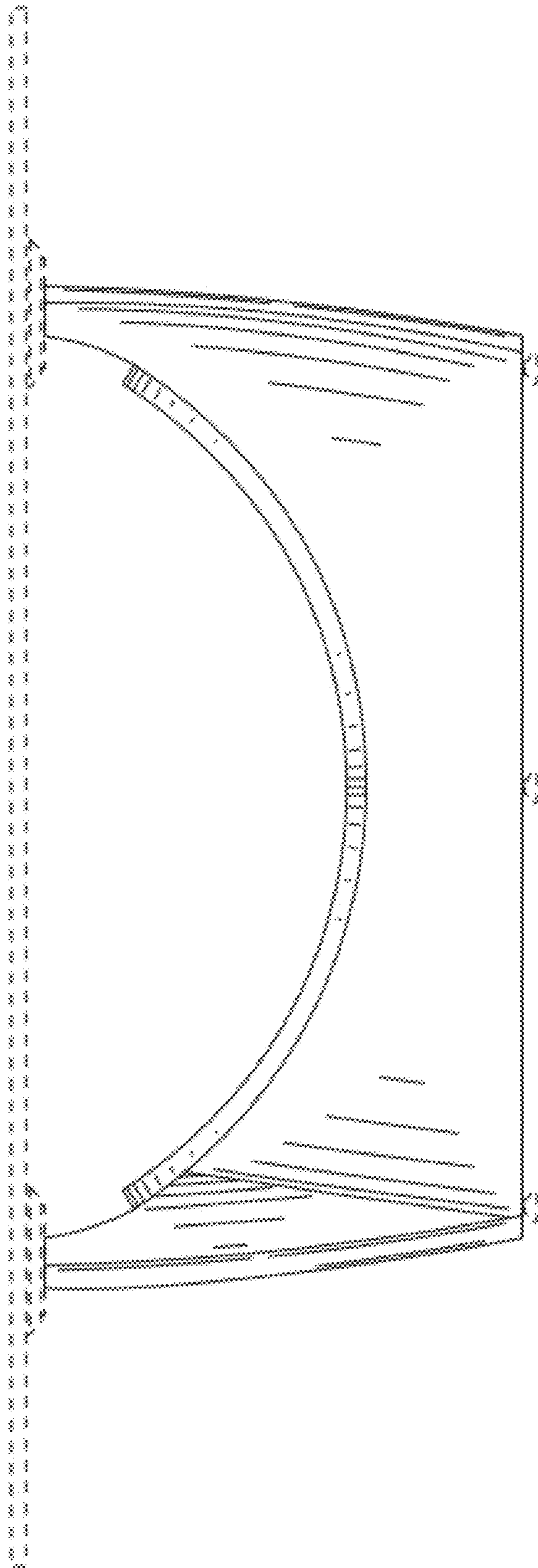
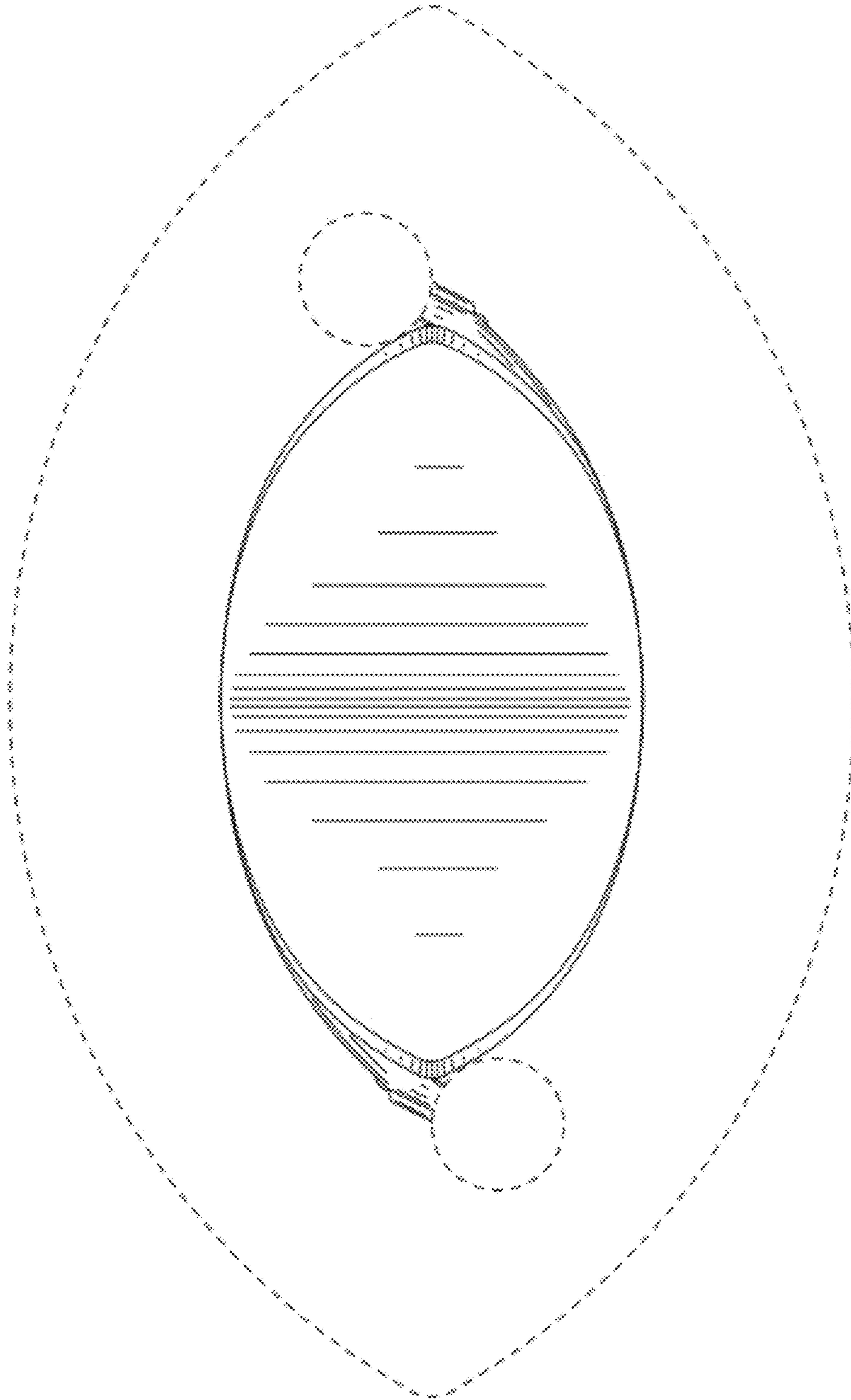


FIG. 5



**FIG. 6**