

US00D666849S

(12) **United States Design Patent**  
**Muller**

(10) **Patent No.:** **US D666,849 S**

(45) **Date of Patent:** **\*\* Sep. 11, 2012**

(54) **TABLE BASE**  
(75) Inventor: **Carl A. Muller**, Huntington Beach, CA  
(US)  
(73) Assignee: **Elite Manufacturing Corporation**,  
Santa Fe Springs, CA (US)  
(\*\*) Term: **14 Years**  
(21) Appl. No.: **29/411,953**  
(22) Filed: **Jan. 27, 2012**  
(51) **LOC (9) Cl.** ..... **06-06**  
(52) **U.S. Cl.** ..... **D6/495; D6/482**  
(58) **Field of Classification Search** ..... D6/480-489,  
D6/495-499, 477, 479, 450-451; 108/150,  
108/152, 153.1, 156, 161; 248/188, 188.1,  
248/188.8

See application file for complete search history.

(56) **References Cited**

**U.S. PATENT DOCUMENTS**

D200,713 S \* 3/1965 Pearsall ..... D6/498  
D258,104 S \* 2/1981 Baker ..... D6/488  
D373,269 S 9/1996 Muller  
D382,422 S 8/1997 Muller  
D384,529 S 10/1997 Muller  
D384,839 S 10/1997 Muller  
D389,347 S 1/1998 Muller  
D389,674 S 1/1998 Muller  
D402,142 S 12/1998 Muller  
D402,487 S 12/1998 Muller  
D404,594 S 1/1999 Muller  
D408,652 S 4/1999 Muller  
D420,529 S 2/2000 Muller  
D433,254 S 11/2000 Muller  
D446,974 S 8/2001 Muller  
D469,990 S 2/2003 Muller  
D470,341 S 2/2003 Muller  
D470,345 S 2/2003 Muller  
D471,742 S 3/2003 Muller  
D491,387 S 6/2004 Muller  
D491,388 S 6/2004 Muller  
D502,825 S 3/2005 Muller

D509,385 S 9/2005 Muller  
D519,761 S 5/2006 Muller  
D526,821 S 8/2006 Muller  
D530,546 S 10/2006 Muller  
D541,560 S 5/2007 Muller  
D543,733 S 6/2007 Muller  
D545,087 S 6/2007 Muller  
D563,123 S 3/2008 Muller  
D566,996 S 4/2008 Muller  
D566,997 S 4/2008 Muller  
D573,376 S 7/2008 Muller  
D573,377 S 7/2008 Muller  
D574,640 S 8/2008 Muller  
D578,322 S 10/2008 Muller  
D578,323 S 10/2008 Muller  
D578,325 S \* 10/2008 Warriner ..... D6/495

(Continued)

**OTHER PUBLICATIONS**

Raquel Table, designed by Miguel Angel Ciganda, manufactured by  
Martinez Otero, S.L. Spain, 1-page, at least as early as Mar. 13, 2009.

(Continued)

*Primary Examiner* — Janice Seeger

(74) *Attorney, Agent, or Firm* — Heslin Rothenberg  
Farley & Mesiti P.C.

(57) **CLAIM**

The ornamental design for a table base, as shown and  
described.

**DESCRIPTION**

FIG. 1 is a perspective view of a table base in accordance with  
the new design;

FIG. 2 is a front elevational view thereof;

FIG. 3 is a right side elevational view thereof;

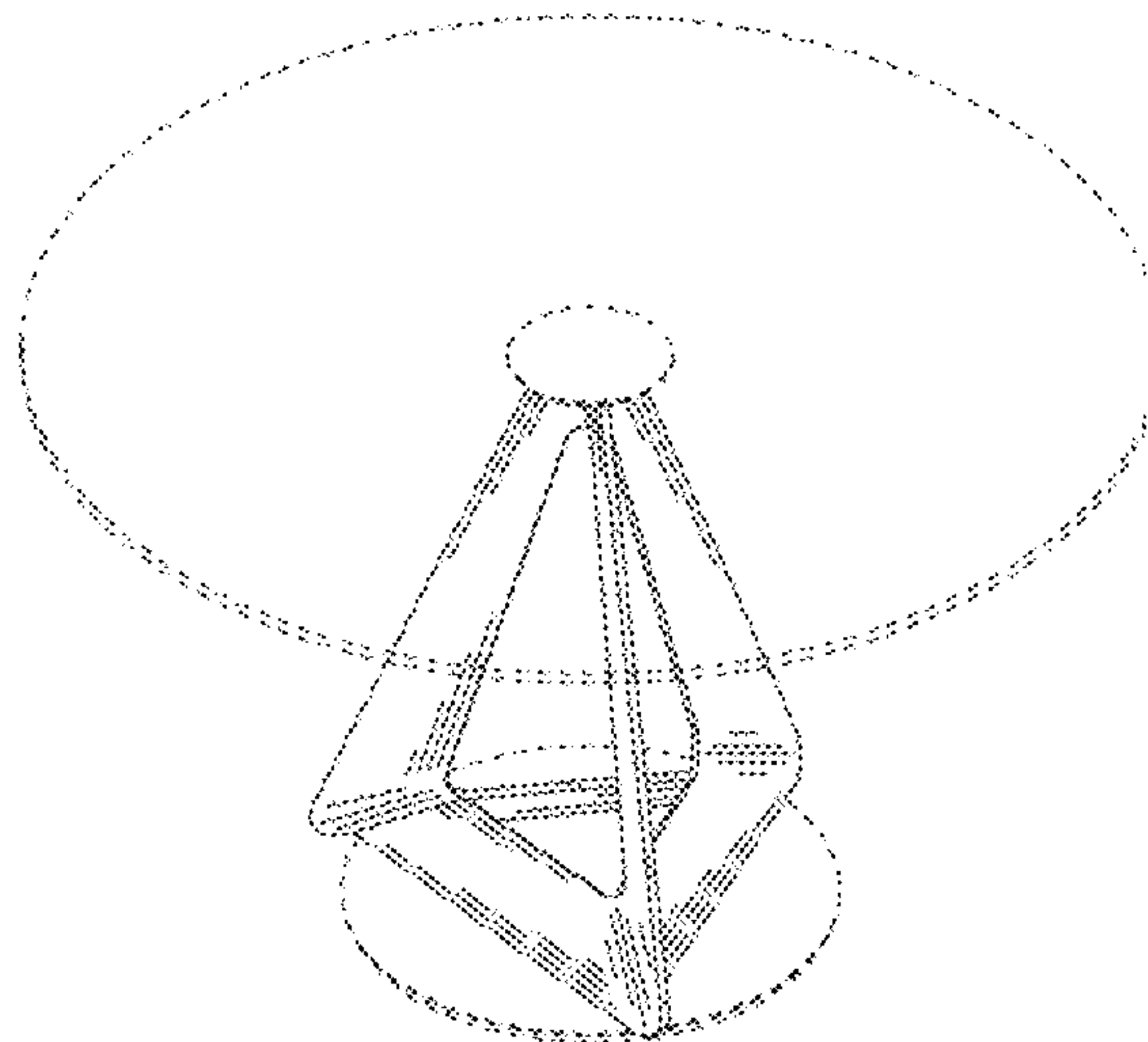
FIG. 4 is a left side elevational view thereof;

FIG. 5 is a rear elevational view thereof; and,

FIG. 6 is a top view thereof.

The broken lines in the figures are for illustrative purposes  
only and form no part of the claimed design.

**1 Claim, 6 Drawing Sheets**



# US D666,849 S

Page 2

---

## U.S. PATENT DOCUMENTS

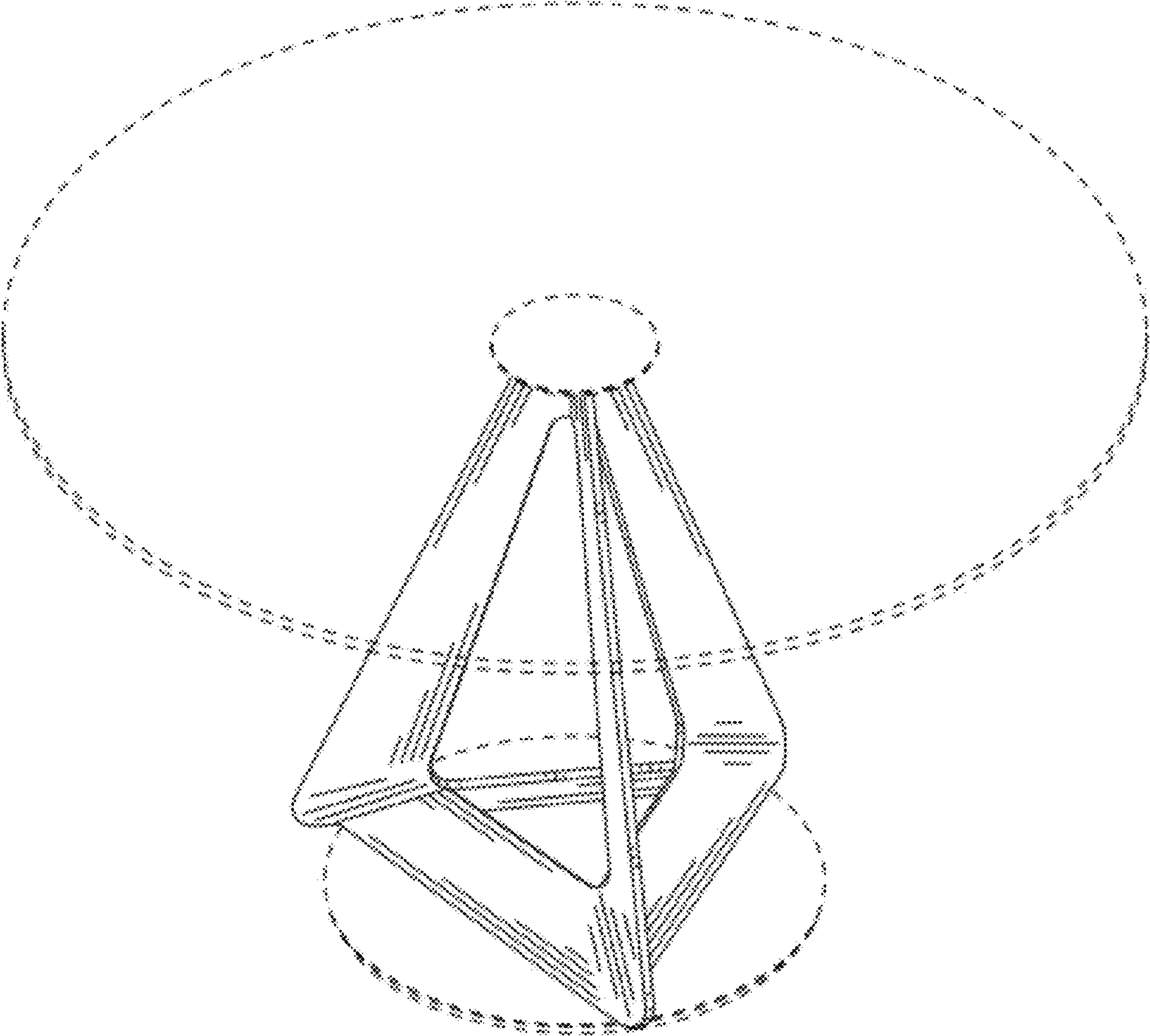
D604,066 S	11/2009	Muller
D604,533 S	11/2009	Muller
D613,097 S	4/2010	Muller
D613,974 S	4/2010	Muller
D646,081 S	10/2011	Muller
D650,204 S	12/2011	Muller

## OTHER PUBLICATIONS

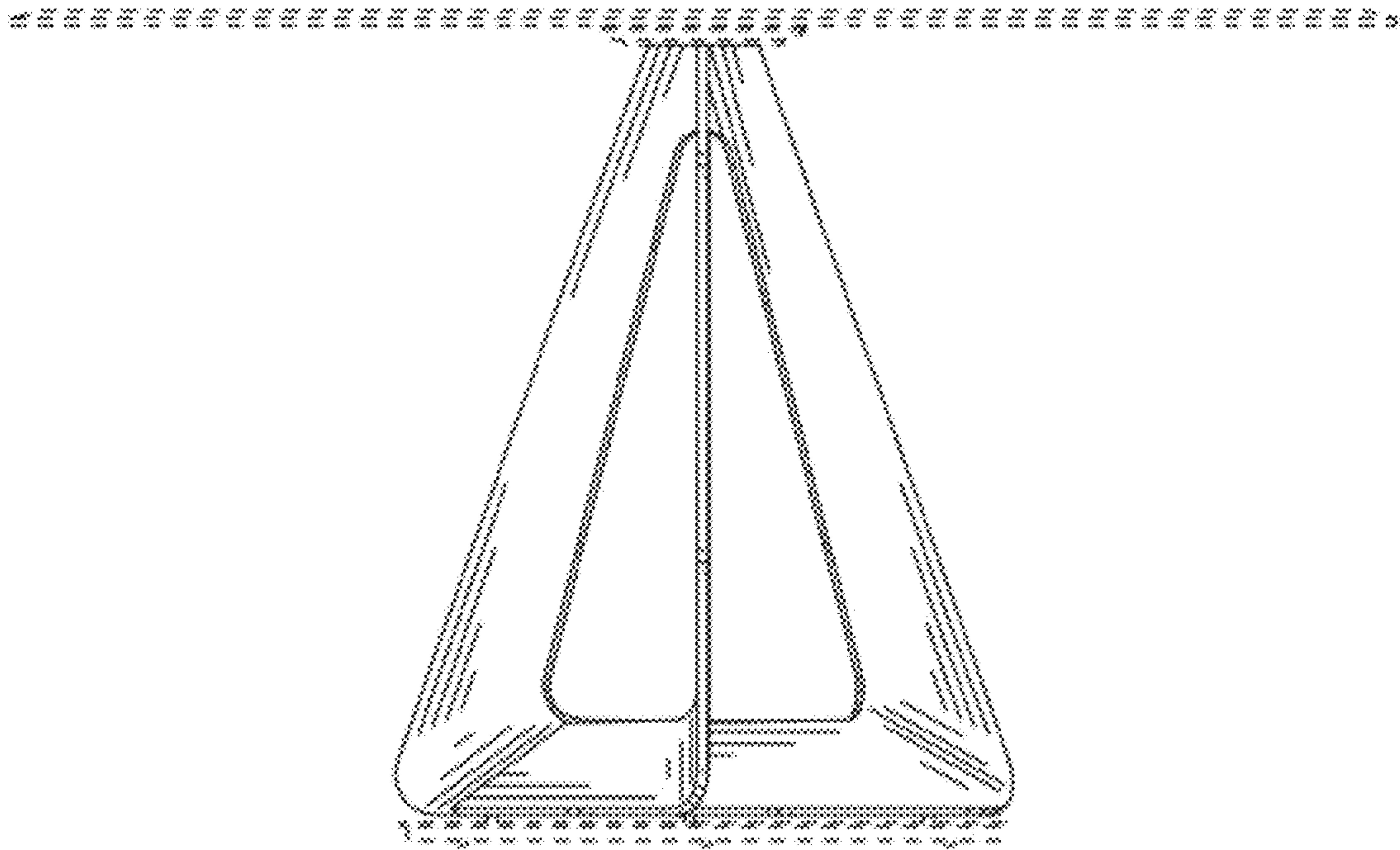
Ekko Tables, designed by Wolfgang C R Mezger, available from Davis Furniture, High Point, North Carolina, 7-page brochure and 1-page printout of Internet page regarding introduction at the NeoCon Show in Chicago, Illinois in Jun. 2011.

Iblea Table, designed by Gordon Guillaumier, manufactured by Desalto, Italy, 2-page, at least as early as 2007.

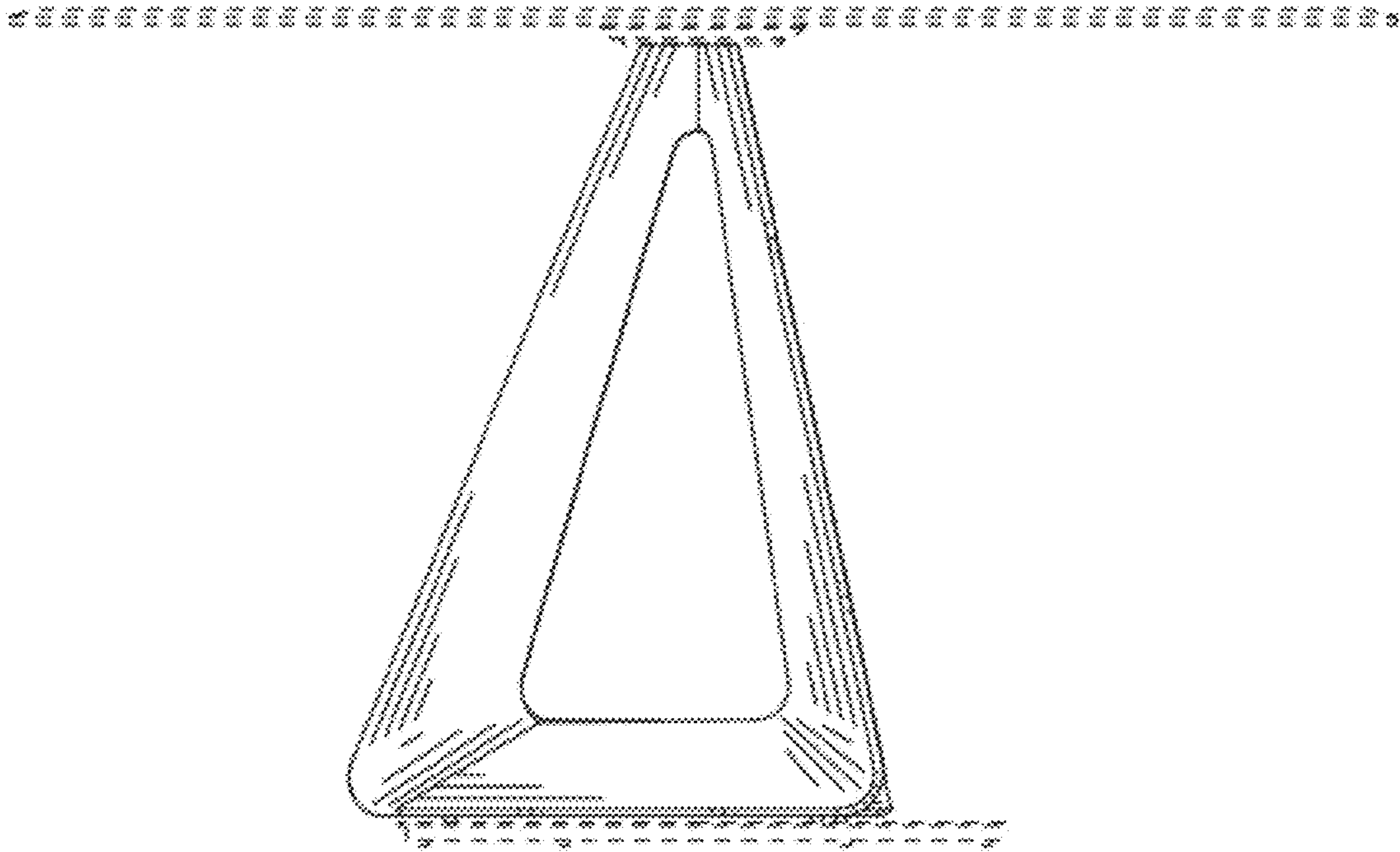
\* cited by examiner



**FIG. 1**

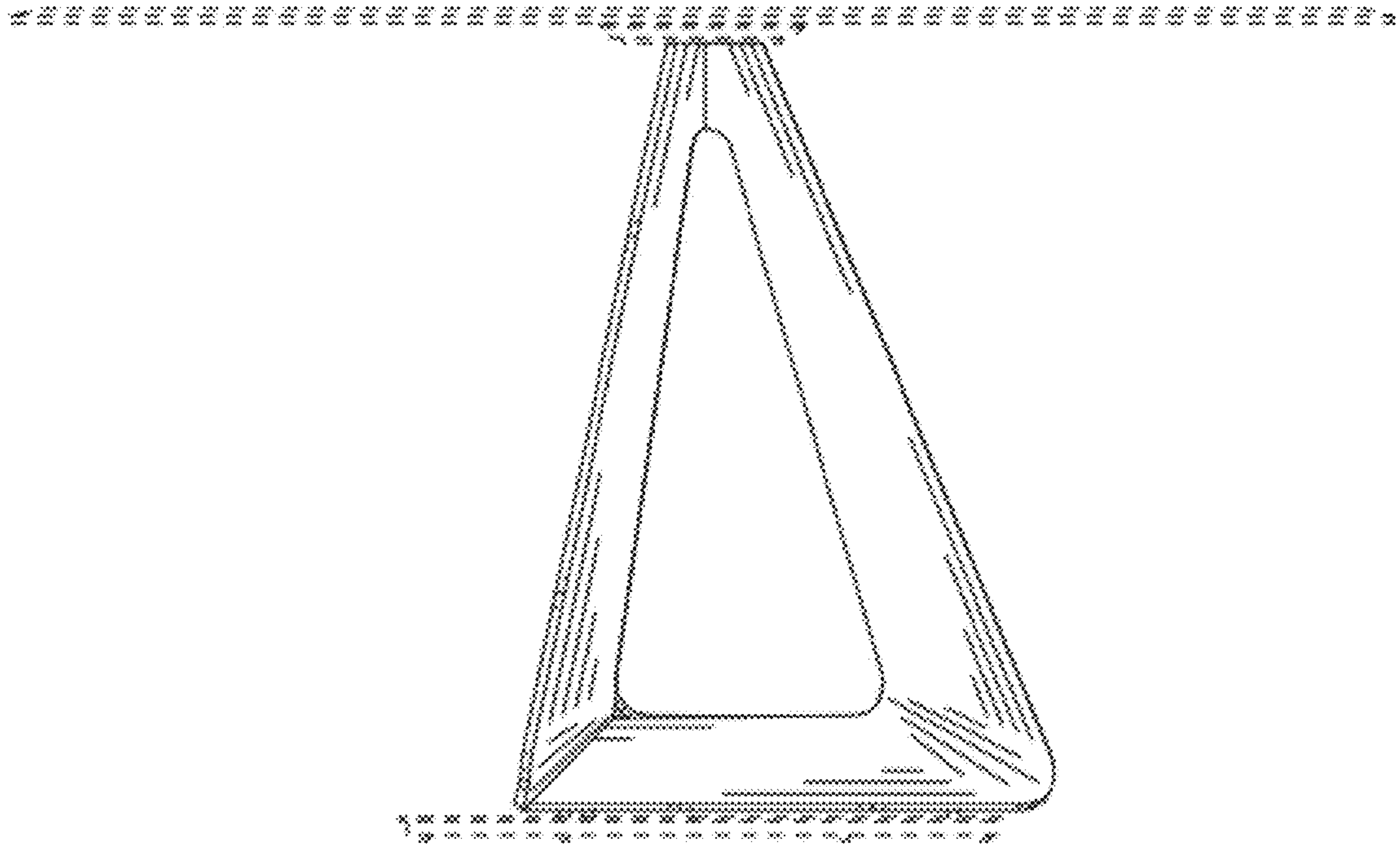


**FIG. 2**

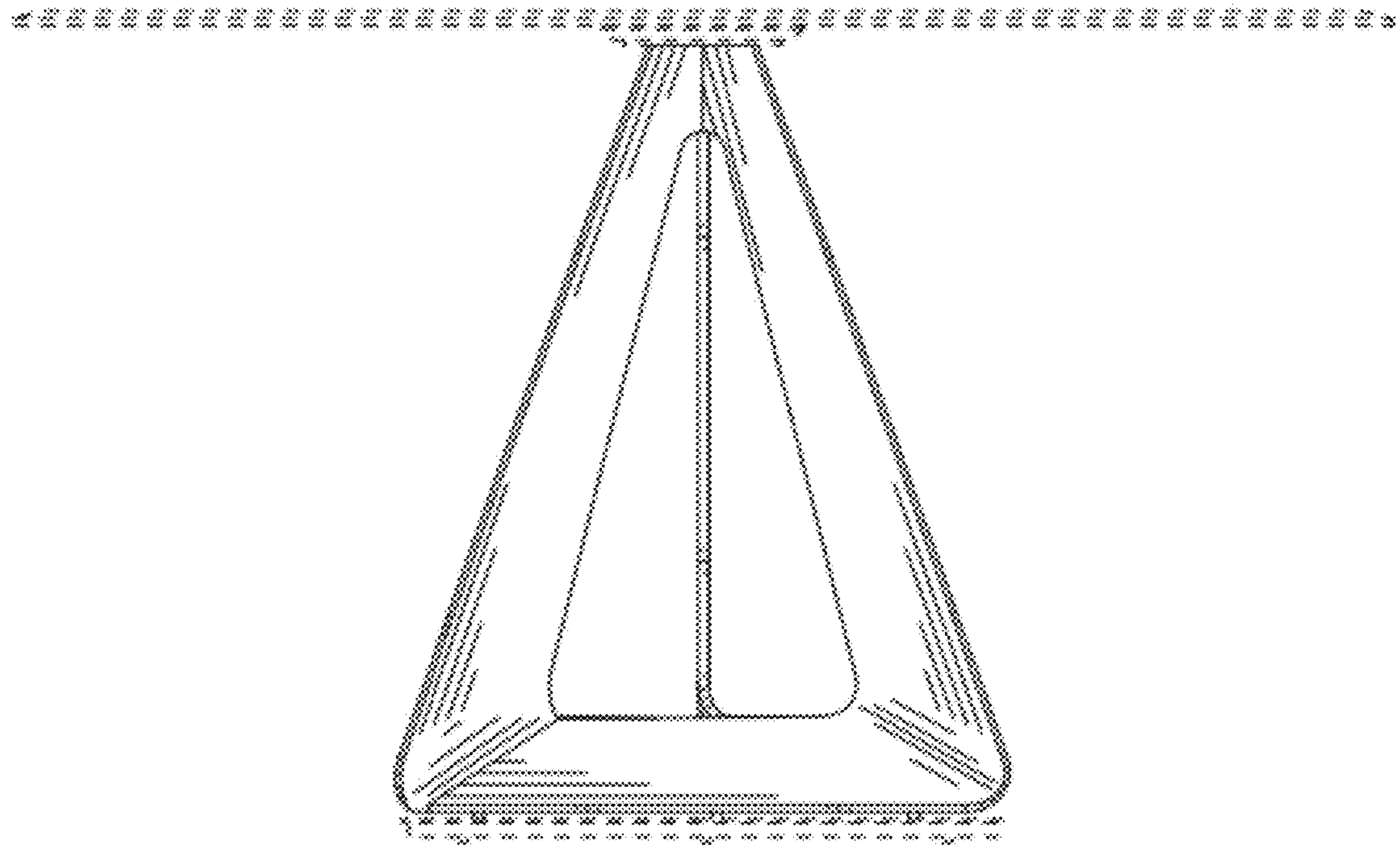


**FIG. 3**

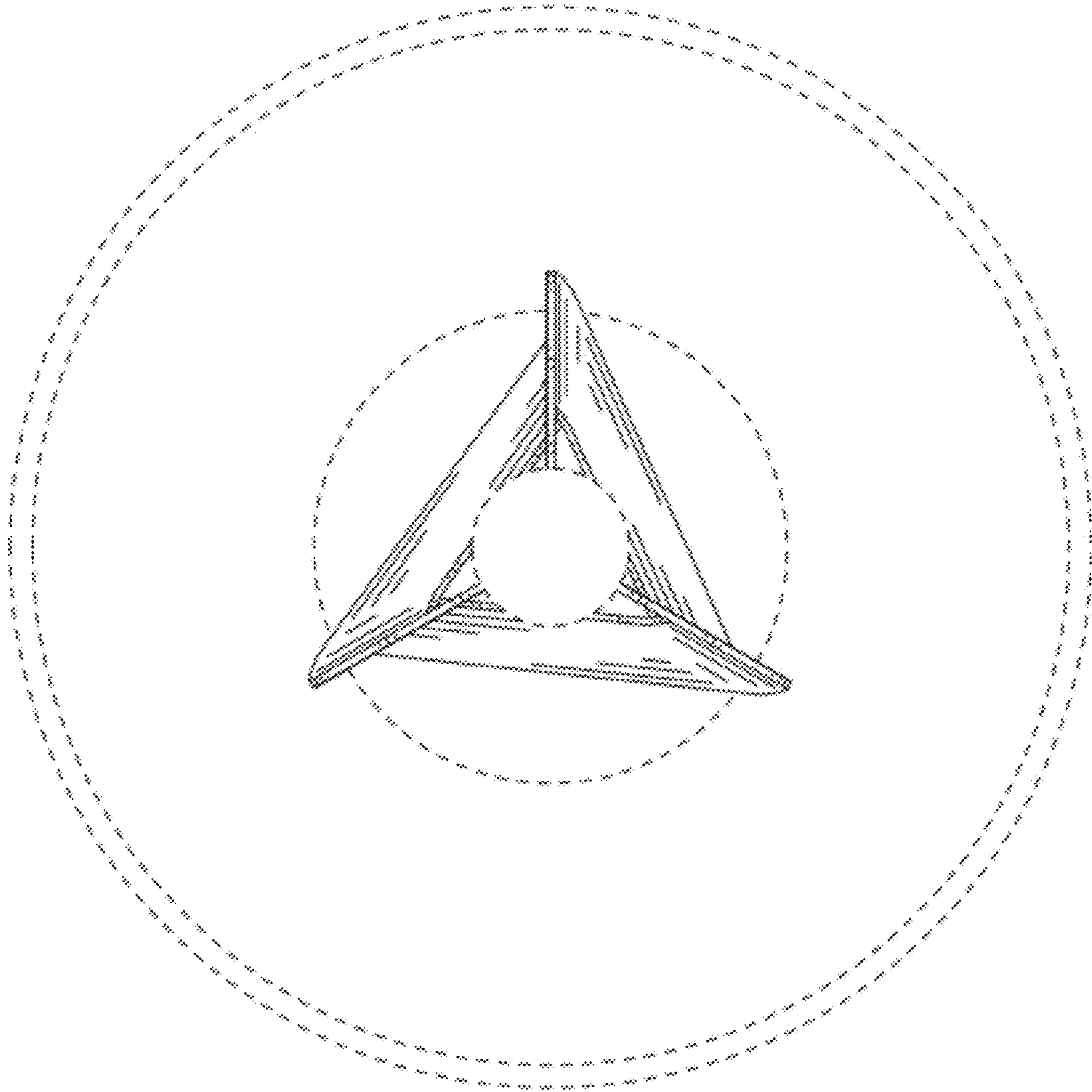




**FIG. 4**



**FIG. 5**



**FIG. 6**