



US00D666848S

(12) **United States Design Patent**
Longenecker et al.

(10) **Patent No.:** **US D666,848 S**

(45) **Date of Patent:** **** Sep. 11, 2012**

(54) **PLAYYARD FRAME RAIL**

(75) Inventors: **Michael L. Longenecker**, Lancaster, PA (US); **Jeff G. Greger**, Lititz, PA (US)

(73) Assignee: **Artsana USA, Inc.**, Lancaster, PA (US)

(**) Term: **14 Years**

(21) Appl. No.: **29/376,275**

(22) Filed: **Oct. 5, 2010**

(51) **LOC (9) Cl.** **06-06**

(52) **U.S. Cl.** **D6/495; D6/503**

(58) **Field of Classification Search** D6/331,
D6/390, 391, 495, 503; D25/122, 124; 5/93.1,
5/99.1, 98.1

See application file for complete search history.

(56) **References Cited**

U.S. PATENT DOCUMENTS

3,605,137	A	*	9/1971	Stollenwerk	5/625
D337,257	S	*	7/1993	Danieli	D8/376
D415,574	S	*	10/1999	Shrira	D25/61
D448,218	S	*	9/2001	Celestina-Krevh	D6/495
D534,749	S	*	1/2007	Wang	D6/503
D550,003	S	*	9/2007	Fiore et al.	D6/503
D604,151	S	*	11/2009	Kollman et al.	D8/376

OTHER PUBLICATIONS

Chicco Lullaby LX Playyard Product Manual (2007).

* cited by examiner

Primary Examiner — Janice Seeger

(74) *Attorney, Agent, or Firm* — Volpe and Koenig, P.C.

(57) **CLAIM**

The ornamental design for playyard frame rail, as shown and described.

DESCRIPTION

FIG. 1 is a perspective view of an embodiment of a playyard frame rail in accordance with the present invention;

FIG. 2 is a fragmentary perspective view of the design shown in FIG. 1;

FIG. 3 is a fragmentary perspective view of the top portion of the design shown in FIG. 2;

FIG. 4 is a front elevational view of the design shown in FIG. 3;

FIG. 5 is a left side elevational view of the design shown in FIG. 3;

FIG. 6 is a right side elevational view of the design shown in FIG. 3;

FIG. 7 is a rear elevational view of the design shown in FIG. 3;

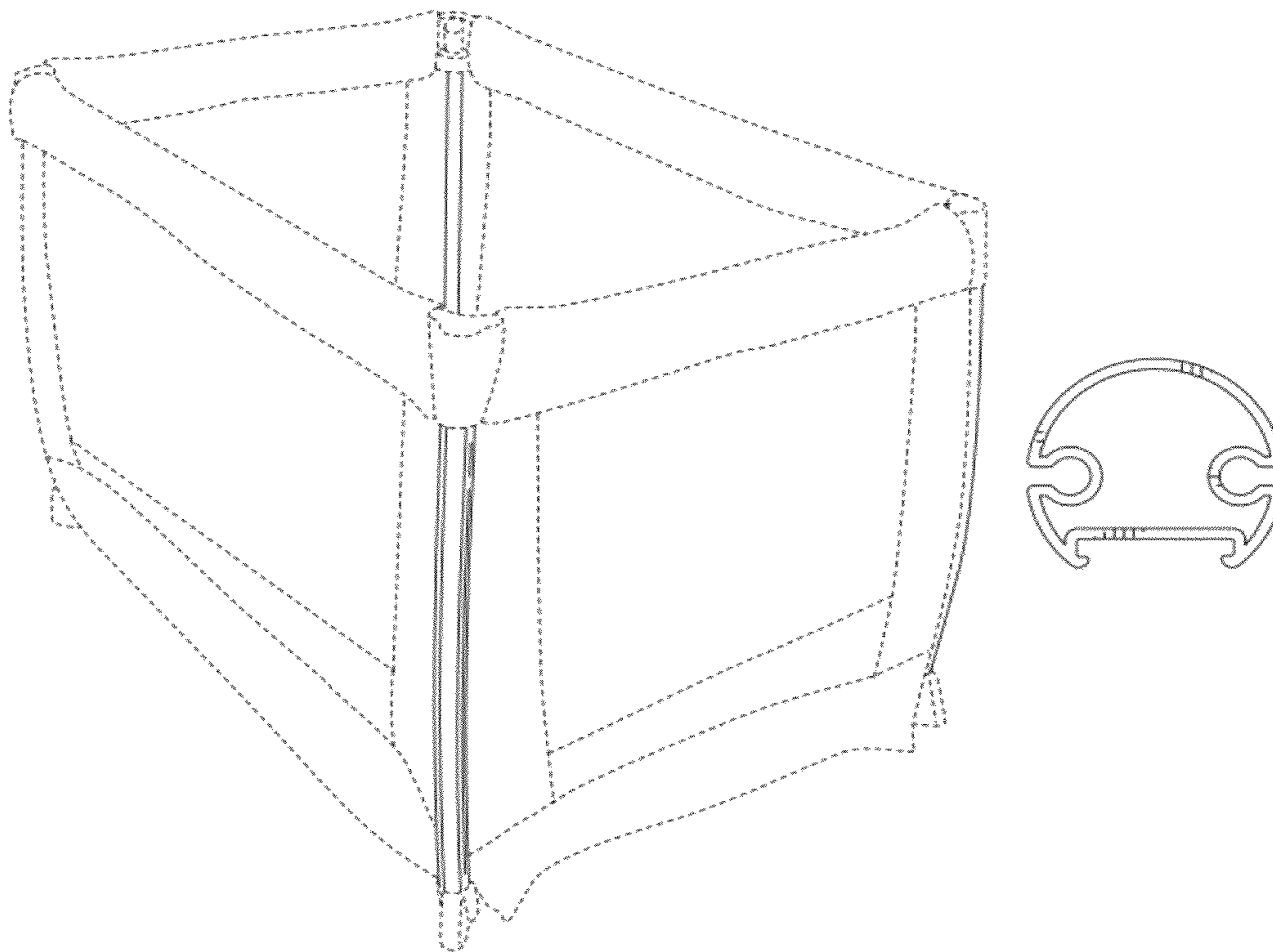
FIG. 8 is a top plan view of the design shown in FIG. 3;

FIG. 9 is a bottom plan view of the design shown in FIG. 3; and,

FIG. 10 is a top plan view of the design shown in FIG. 3, showing softgoods and decorative material arranged in the grooves of the tubing.

The broken lines illustrate environmental structure and form no part of the claimed design.

1 Claim, 8 Drawing Sheets



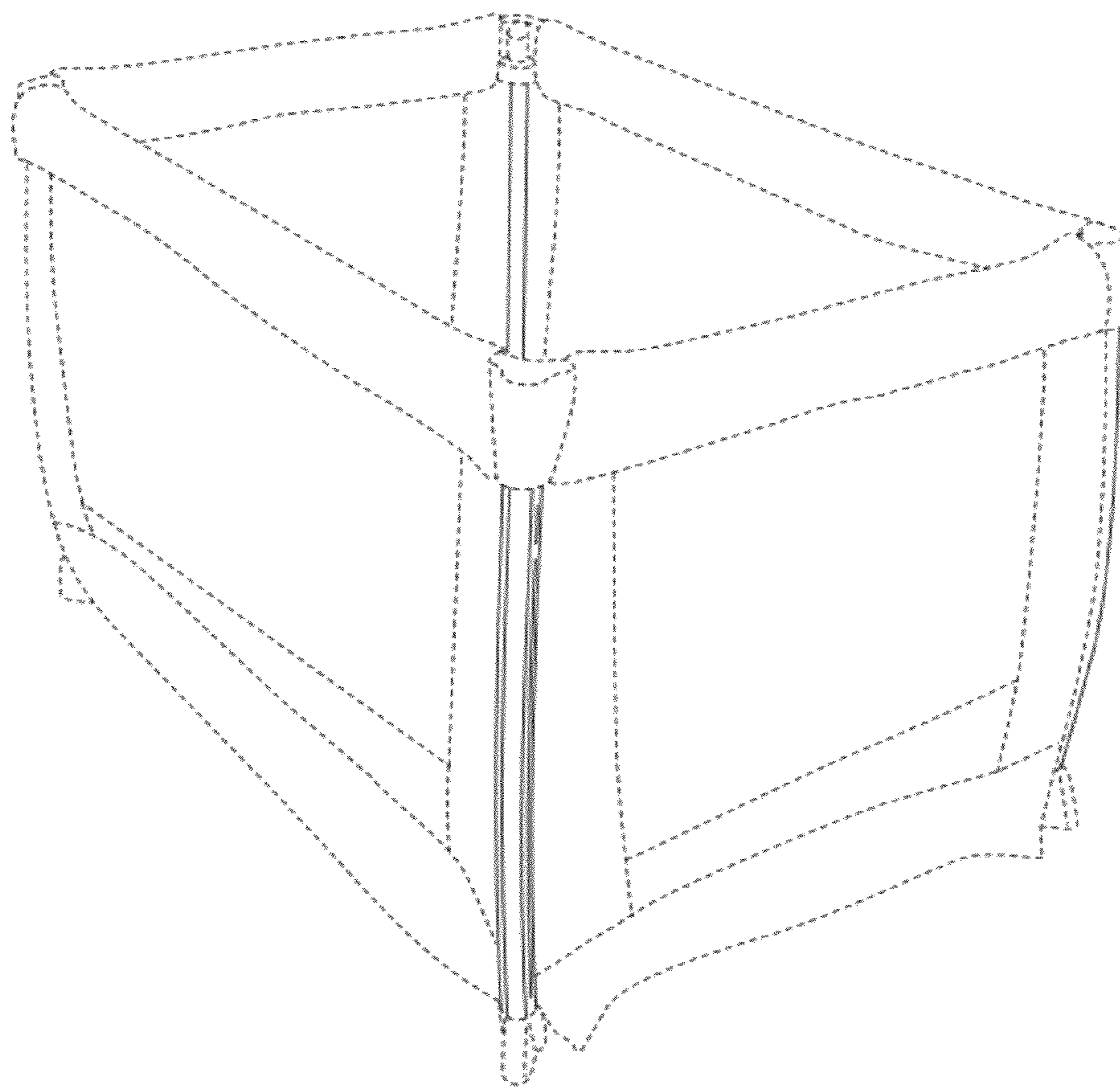


FIG. 1

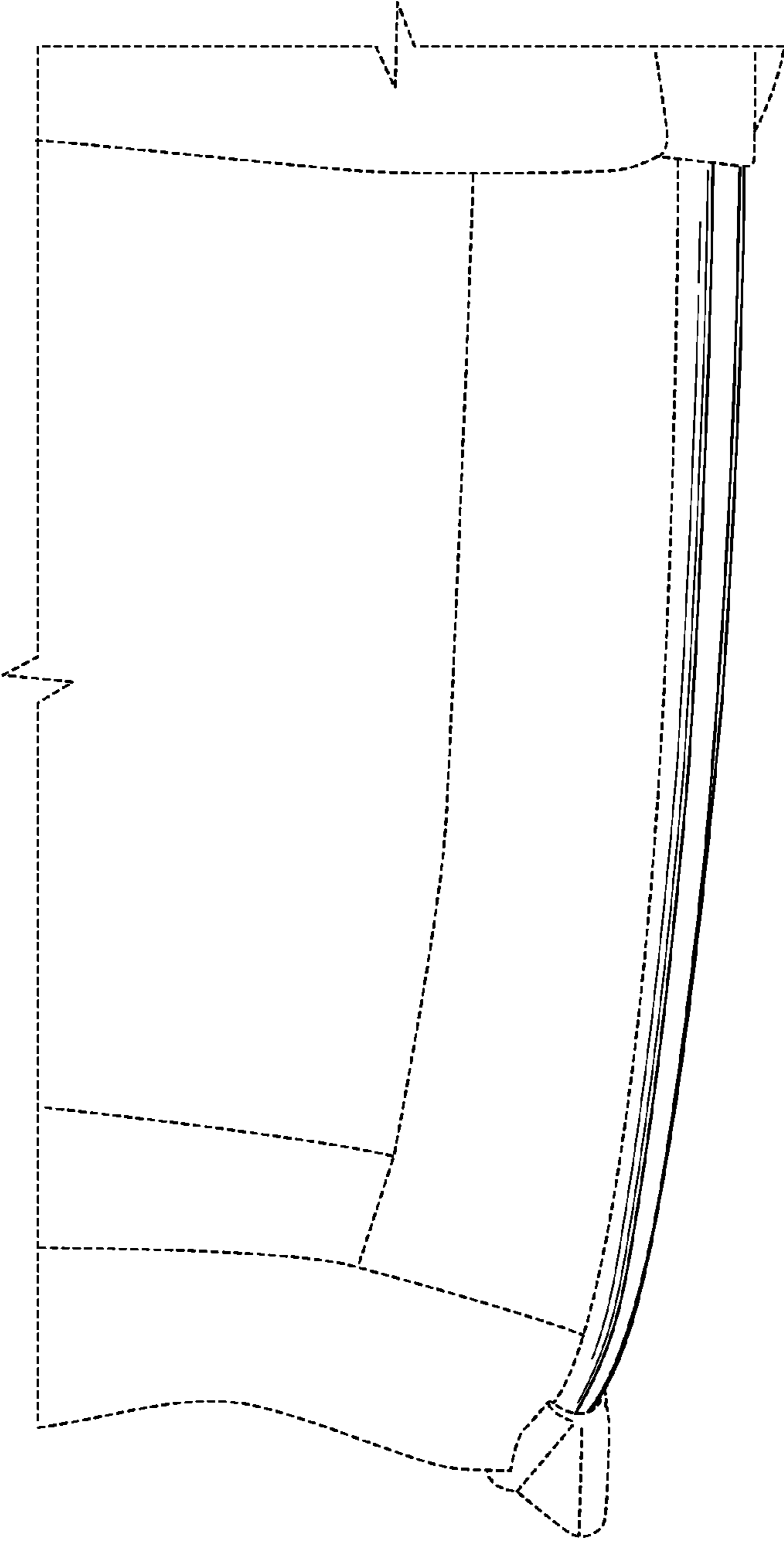


FIG. 2

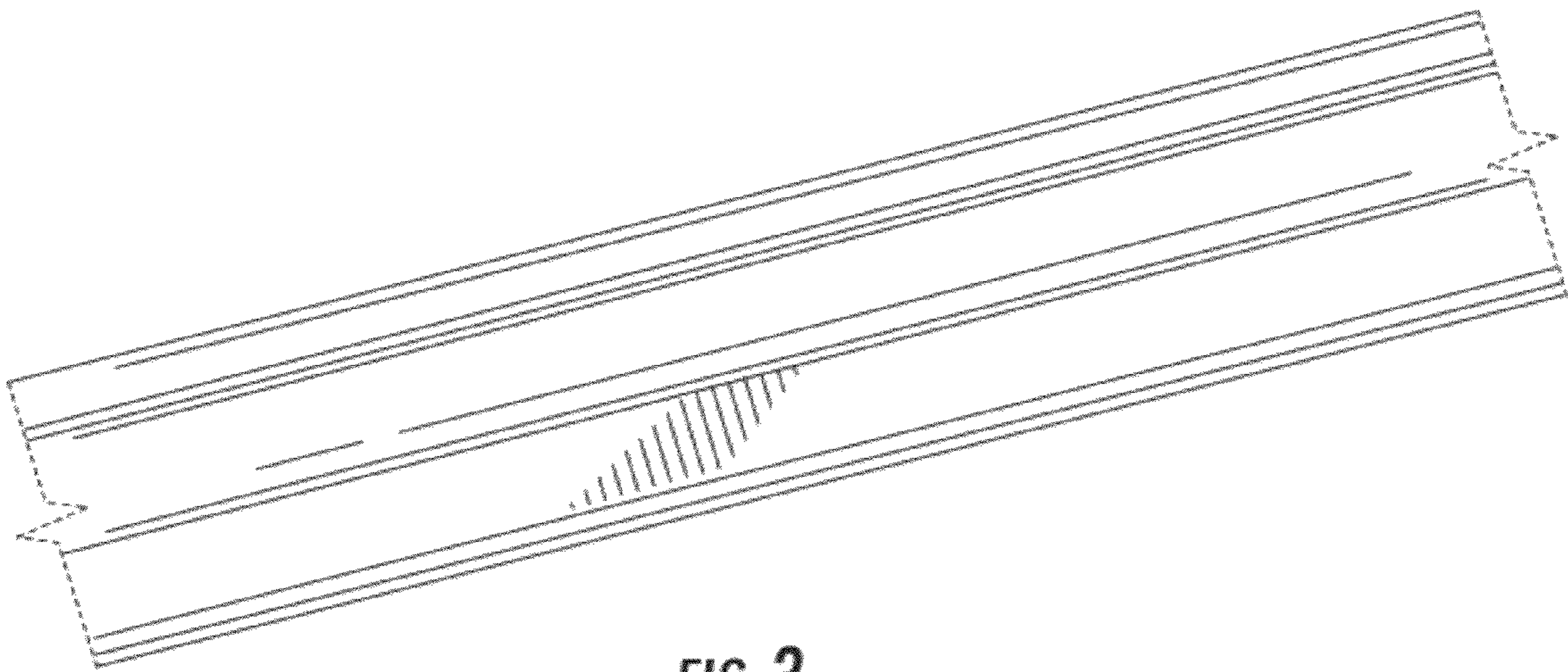


FIG. 3

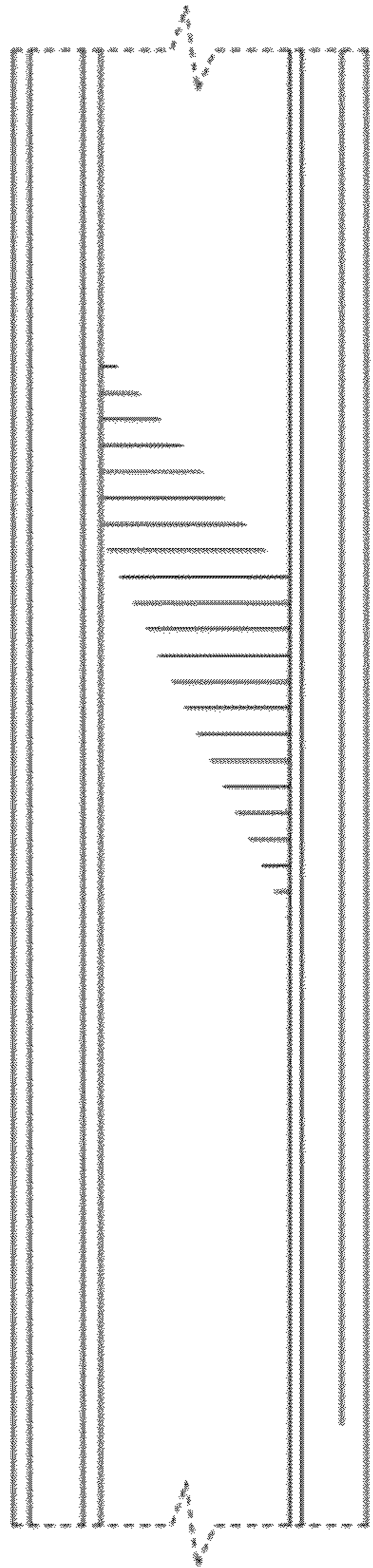


FIG. 4

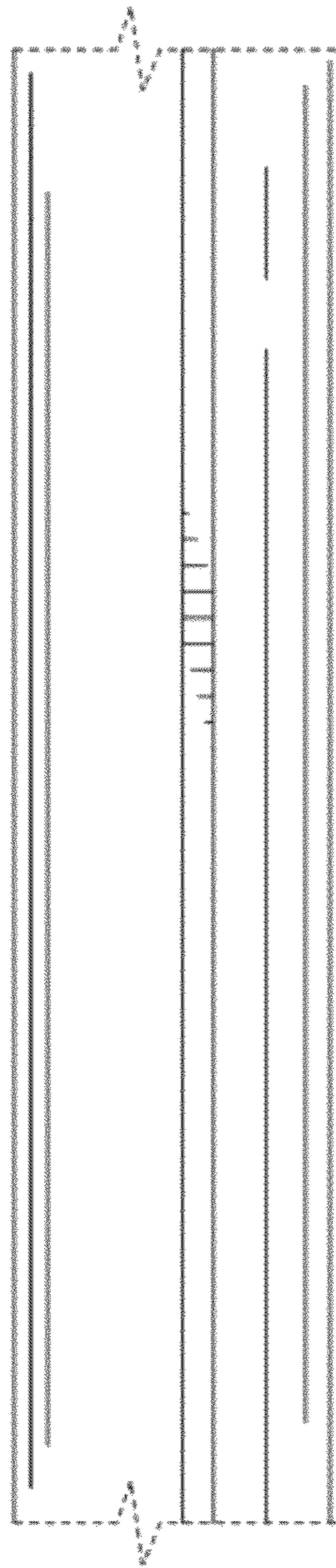


FIG. 5

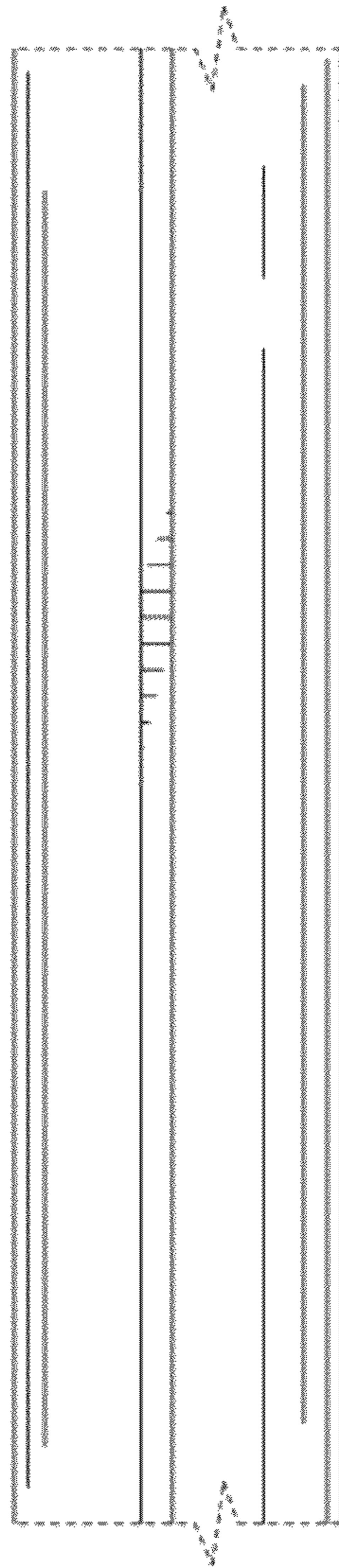


FIG. 6

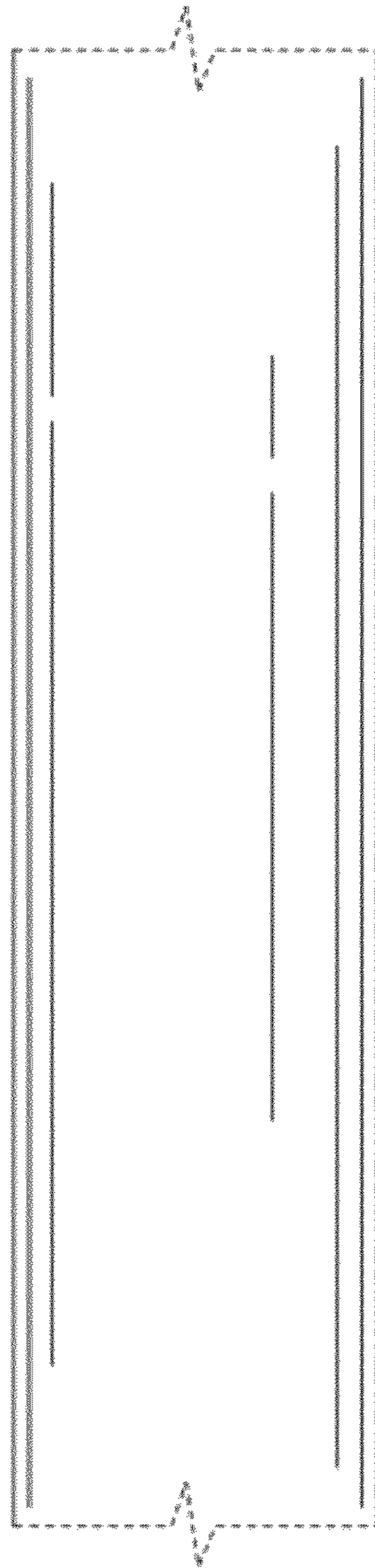


FIG. 7

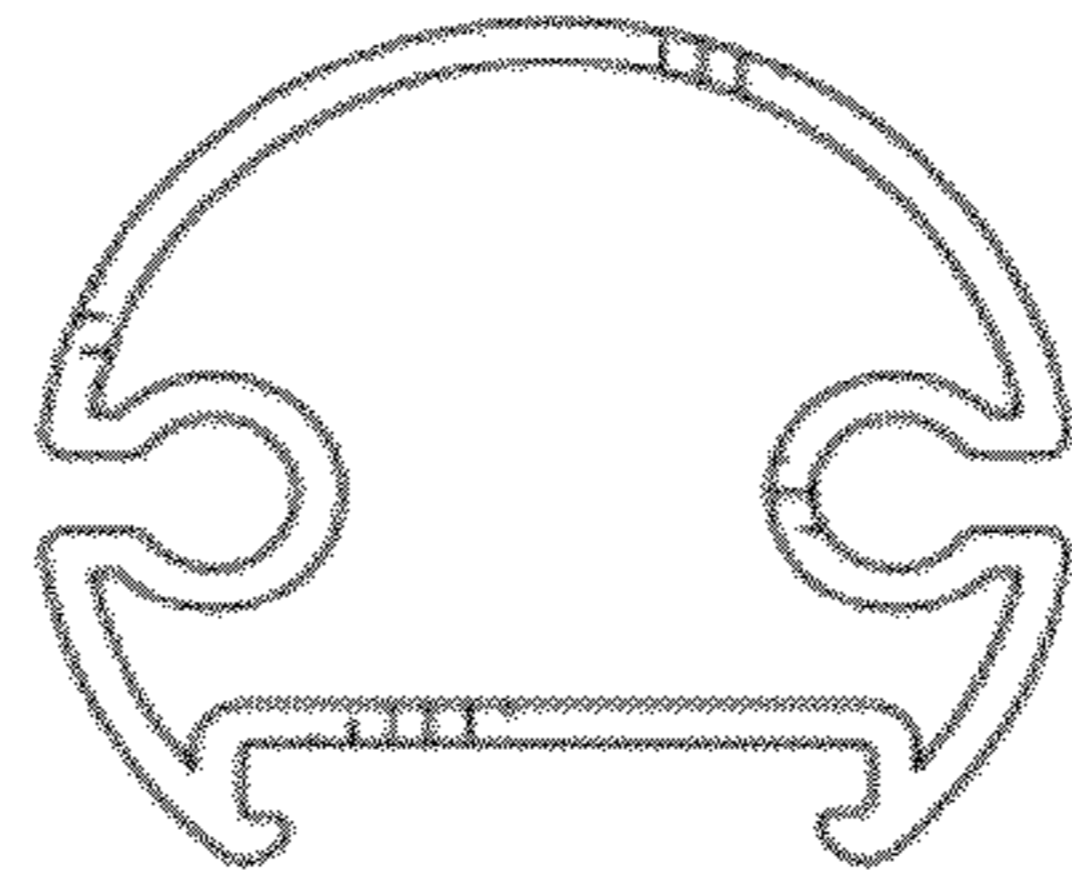


FIG. 8

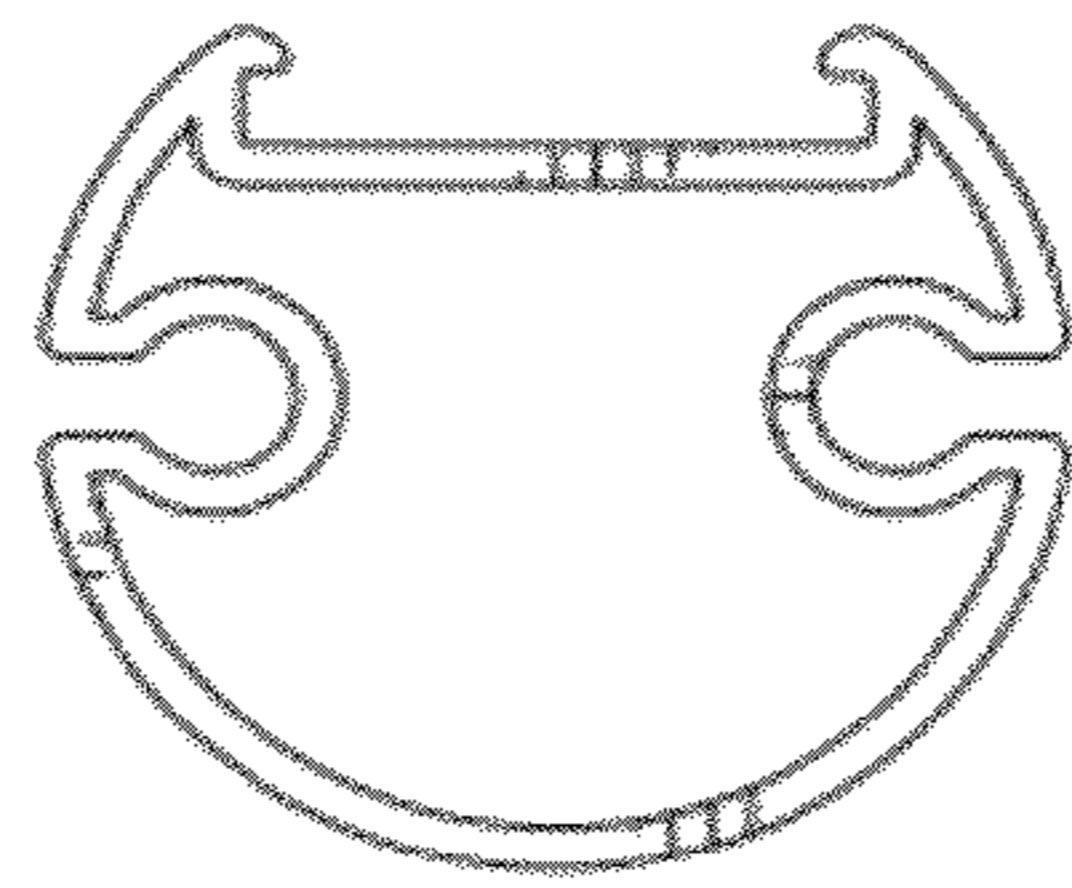


FIG. 9

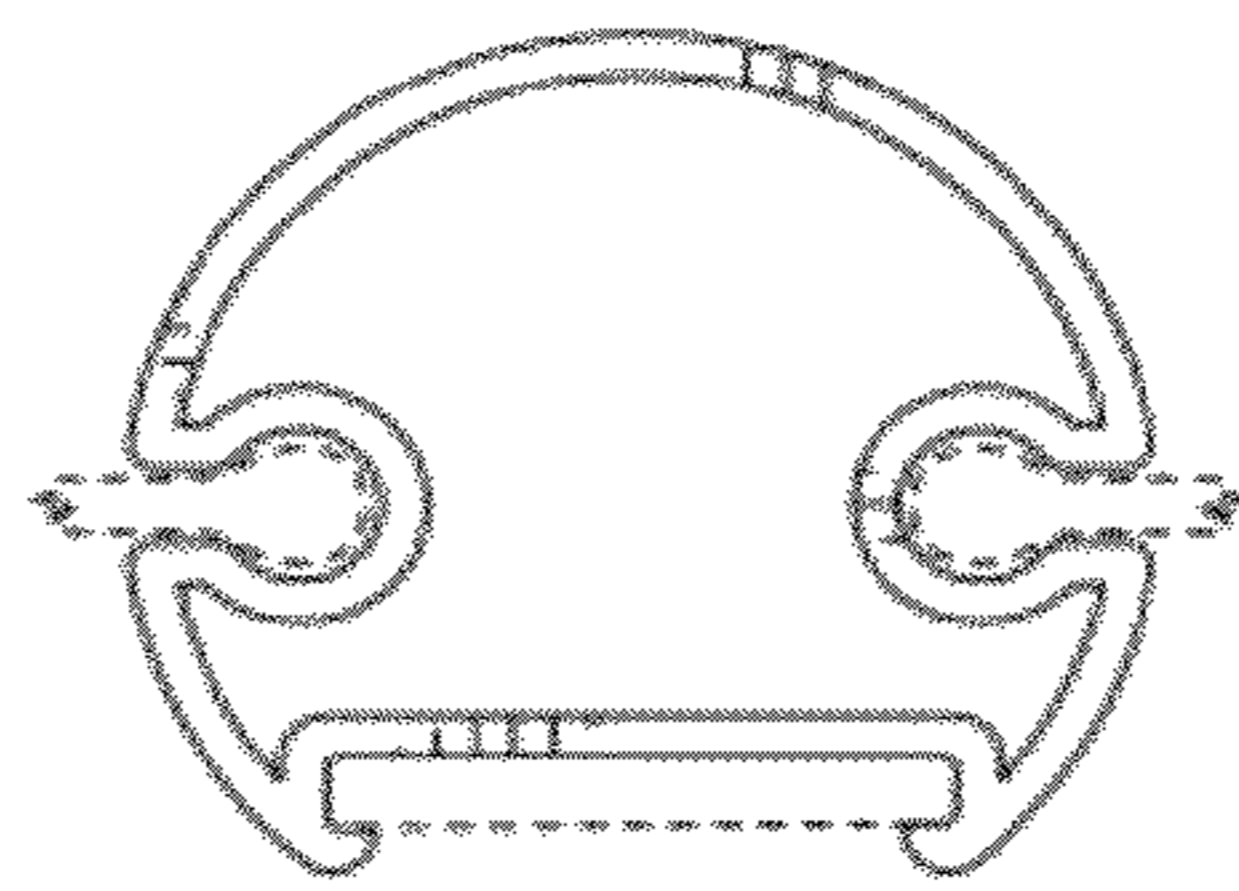


FIG. 10