

US00D666847S

(12) **United States Design Patent**  
**Metcalf et al.**

(10) **Patent No.:** **US D666,847 S**  
(45) **Date of Patent:** **\*\* Sep. 11, 2012**

(54) **LOUNGE END**

(75) Inventors: **Keith E. Metcalf**, Jasper, IN (US); **Todd E. Boyd**, Jasper, IN (US); **Dennis J. Lechner**, Jasper, IN (US); **Stanley J. Epple**, Jasper, IN (US); **Jeffrey P. Bueltel**, Huntingburg, IN (US)

(73) Assignee: **Kimball International, Inc.**, Jasper, IN (US)

(\*\*) Term: **14 Years**

(21) Appl. No.: **29/383,525**

(22) Filed: **Jan. 19, 2011**

(51) **LOC (9) Cl.** ..... **06-01**

(52) **U.S. Cl.** ..... **D6/492**

(58) **Field of Classification Search** ..... D6/334,  
D6/335, 337, 374, 379, 380, 381, 491, 492,  
D6/495, 500-502, 341; 297/118, 300.1,  
297/302.1, 311, 313, 353, 354.1, 445.1, 446.1,  
297/446.2, 447.4, 464, 465, 900, DIG. 2,  
297/DIG. 7; 5/12.1, 12.2

See application file for complete search history.

(56) **References Cited**

**U.S. PATENT DOCUMENTS**

D132,876 S	6/1942	Cooper	
2,793,685 A *	5/1957	Spitz	297/411.27
D199,788 S *	12/1964	Pearl	D6/334
3,328,810 A	7/1967	Berman	
D240,481 S	7/1976	Fister, Jr.	
D241,795 S *	10/1976	Fister, Jr.	D6/334
D252,490 S *	7/1979	Petersilie	D6/334
4,212,090 A	7/1980	Ehrlich	
D259,601 S *	6/1981	Marks	D6/334
D261,953 S *	11/1981	Aronowitz et al.	D6/364
D261,954 S *	11/1981	Aronowitz et al.	D6/364
D262,163 S	12/1981	Aronowitz et al.	
D262,164 S *	12/1981	Aronowitz et al.	D6/364
D264,026 S	4/1982	Mascheroni	
D273,156 S *	3/1984	Dubbin et al.	D6/334

D273,254 S	4/1984	Fairaizen	
D281,655 S *	12/1985	Carter	D6/334
D282,423 S *	2/1986	Carter	D6/449
D284,142 S *	6/1986	Raftery	D6/334
D289,466 S *	4/1987	Leib	D6/335
D313,893 S *	1/1991	Hopfer	D6/334
D327,174 S *	6/1992	Hopfer	D6/334
D336,377 S *	6/1993	Gibson	D6/334
D390,017 S *	2/1998	Lewis	D6/334
D422,810 S	4/2000	Rasp	
D427,448 S	7/2000	Natuzzi et al.	
D495,893 S	9/2004	Ricci	
6,824,220 B1 *	11/2004	Davison	297/440.14
D525,802 S	8/2006	Spear	
D538,549 S	3/2007	Spear	
D547,967 S	8/2007	Oldham	
D549,010 S	8/2007	Sorci	

(Continued)

**OTHER PUBLICATIONS**

Turnstone "Lincoln" Product Information, at least as early as Jun. 11, 2010.

(Continued)

*Primary Examiner* — Sandra Snapp

(74) *Attorney, Agent, or Firm* — Faegre Baker Daniels LLP

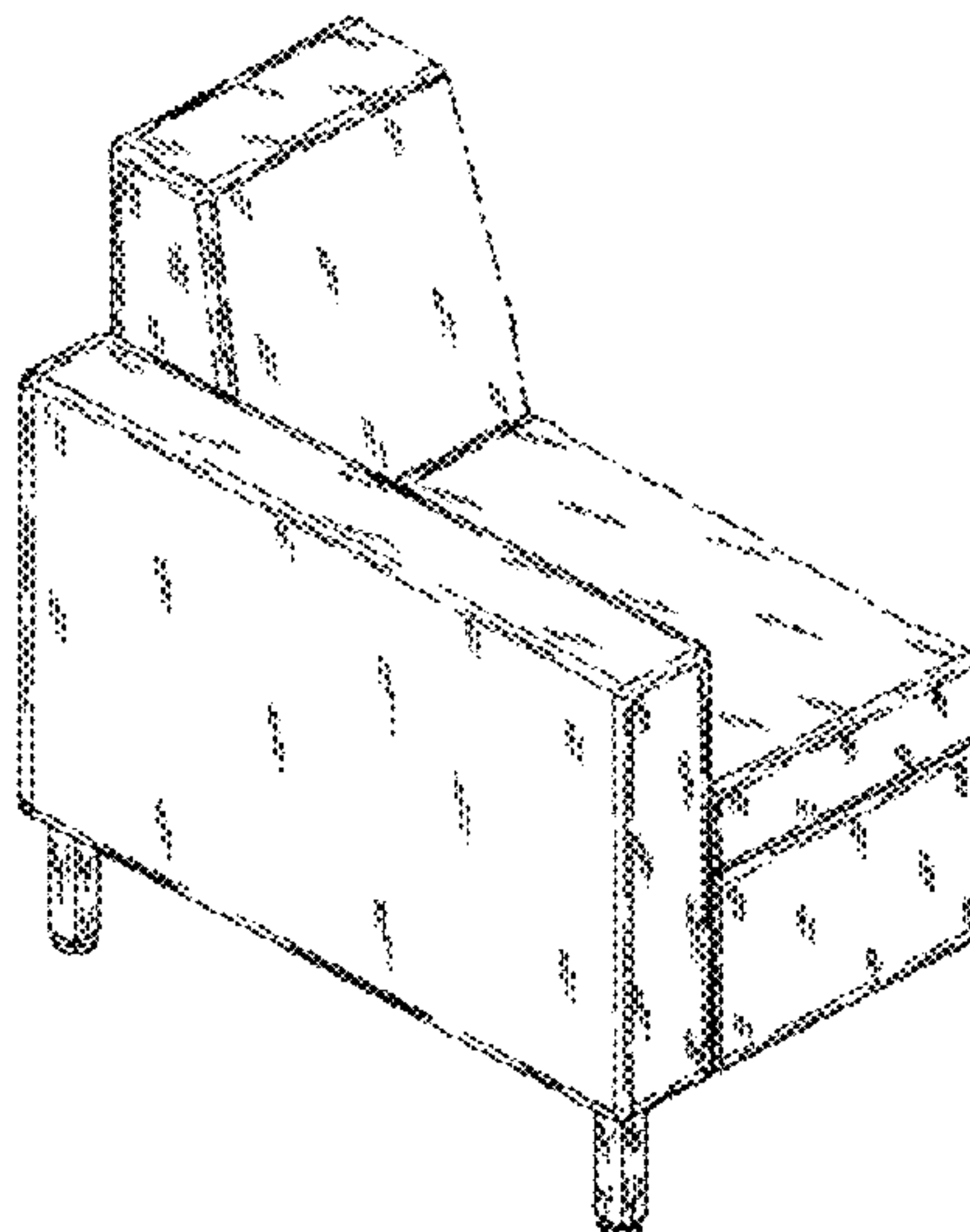
(57) **CLAIM**

The ornamental design for a lounge end, as shown and described.

**DESCRIPTION**

FIG. 1 is a front perspective view of a lounge end according to our new design;  
FIG. 2 is a front view thereof;  
FIG. 3 is a rear view thereof;  
FIG. 4 is a side view thereof; and,  
FIG. 5 is a top view thereof.  
The bottom of the lounge end is plain and unornamented. The dot-dashed lines shown in the drawings define the bounds of the claimed design and form no part thereof.

**1 Claim, 3 Drawing Sheets**



U.S. PATENT DOCUMENTS

D549,470 S 8/2007 Hutton  
D572,932 S 7/2008 van Ierssel et al.  
D578,798 S 10/2008 Ricci  
D583,585 S 12/2008 Weiss  
D584,524 S 1/2009 Ricci  
D585,200 S 1/2009 Lissoni  
D586,590 S 2/2009 Schweikarth et al.  
D590,623 S 4/2009 Natuzzi  
D597,328 S 8/2009 Schweikarth et al.  
D600,037 S 9/2009 Natuzzi  
D601,825 S 10/2009 Starck  
D609,034 S 2/2010 Lissoni  
D614,876 S 5/2010 Metcalf et al.  
D618,935 S 7/2010 Metcalf et al.

OTHER PUBLICATIONS

Haworth "Tuxedo" Product Information, at least as early as Jun. 11, 2010.  
Keilhauer, Laughton Series "Grand" Product Information, at least as early as Jun. 11, 2010.  
Martin Bratrud "Muirfield" Product Information, at least as early as Jun. 11, 2010.

Teknion "Freesia" Product Information, at least as early as Jun. 11, 2010.  
National "Pennant" Product Information, at least as early as Jun. 11, 2010.  
Brandrud "Reflect" Product Information, at least as early as Jun. 11, 2010.  
Dar-Ran "Filmore" Product Information, at least as early as Jun. 11, 2010.  
Krug "Sloan" Product Information, at least as early as Jun. 11, 2010.  
Lowenstein "Cubic" Product Information, at least as early as Jun. 11, 2010.  
Gunlocke "New Yorker" Product Information, at least as early as Jun. 11, 2010.  
Coalesse "Palermo" Product Information, at least as early as Jun. 11, 2010.  
Bernhardt "B1" Product Information, at least as early as Jun. 11, 2010.  
Turnstone "Campfire" Product Information, at least as early as Jun. 11, 2010.  
Teknion "dna" Product Information, at least as early as Jun. 11, 2010.

\* cited by examiner

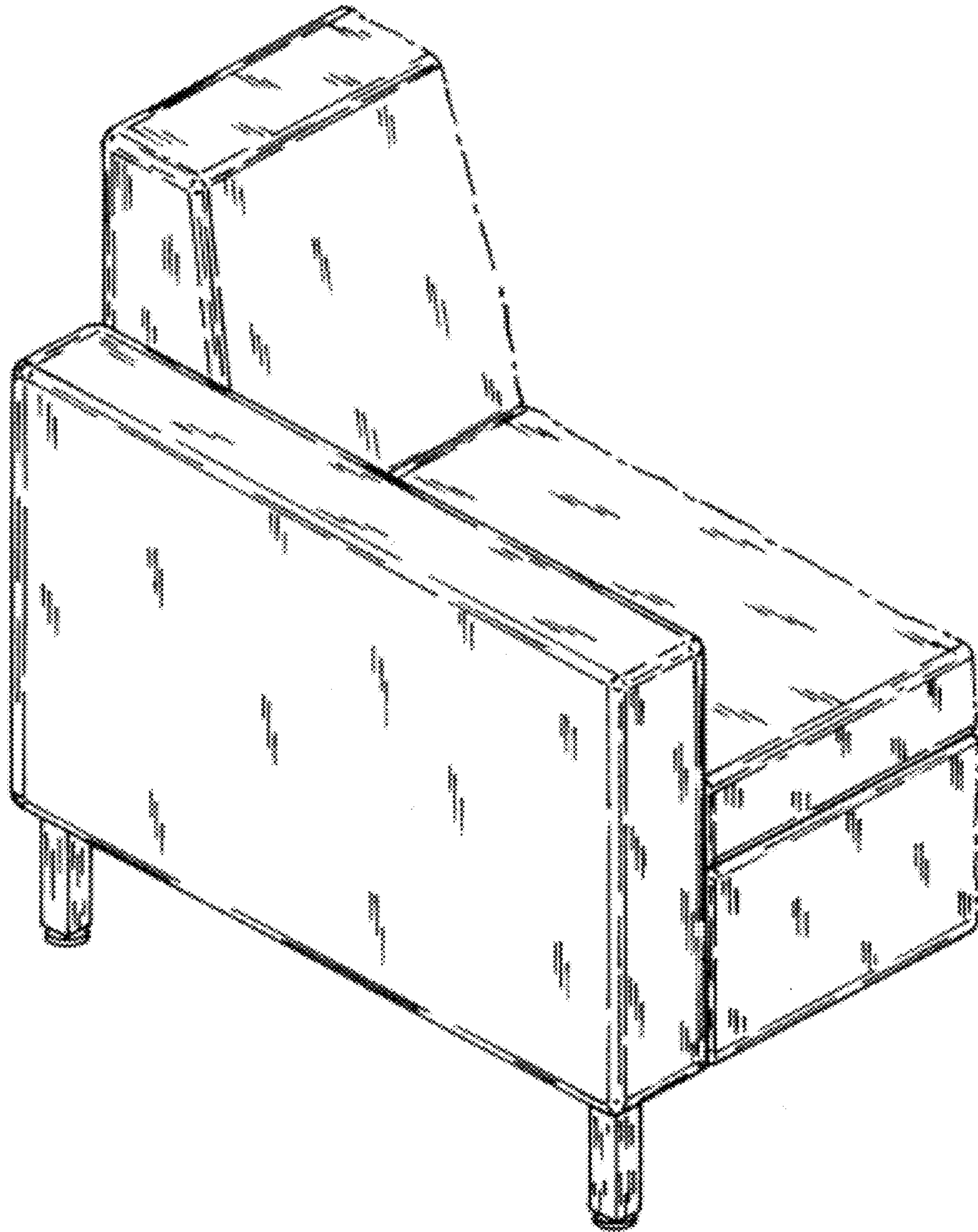


FIG. 1



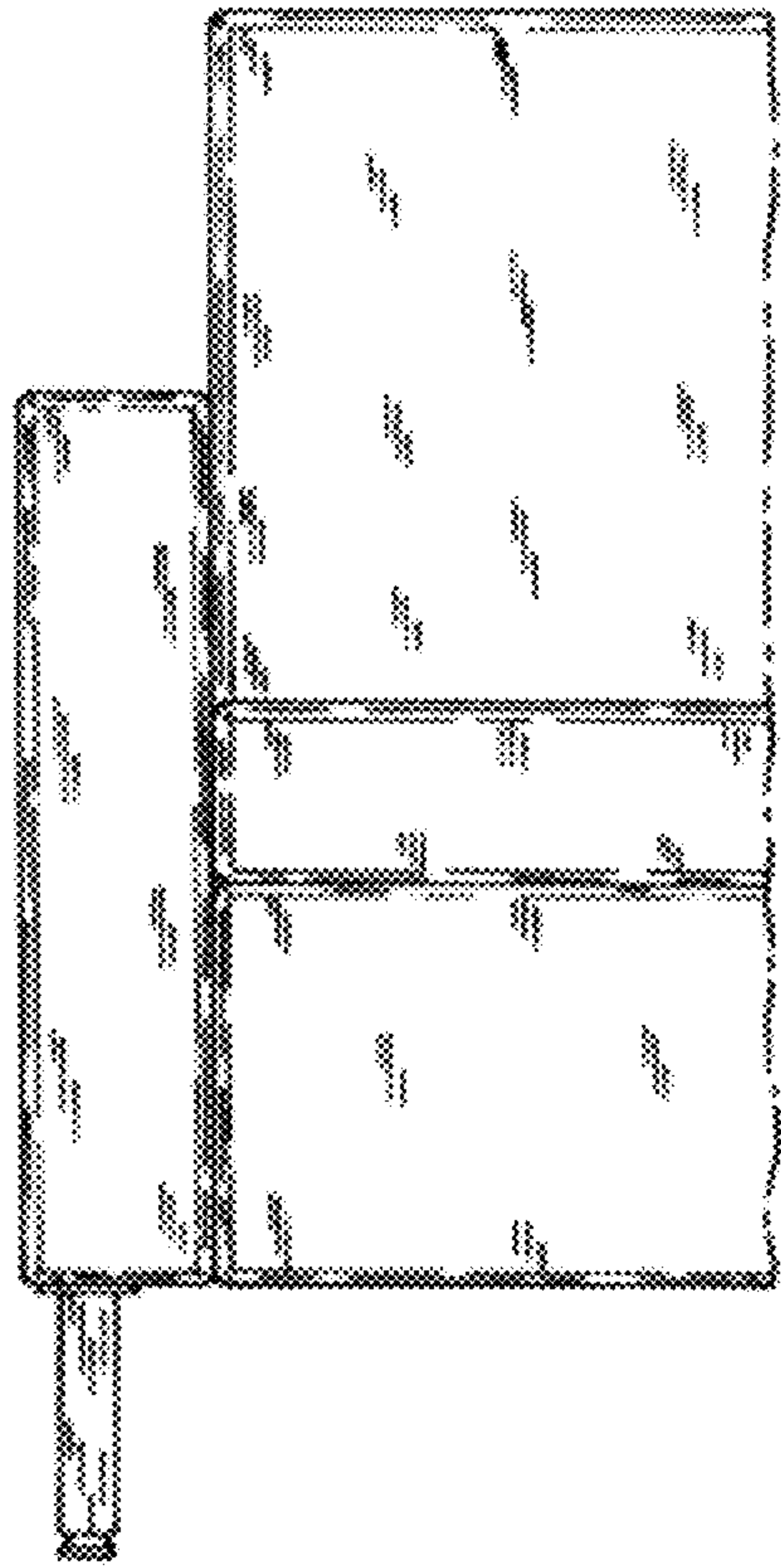


FIG. 2

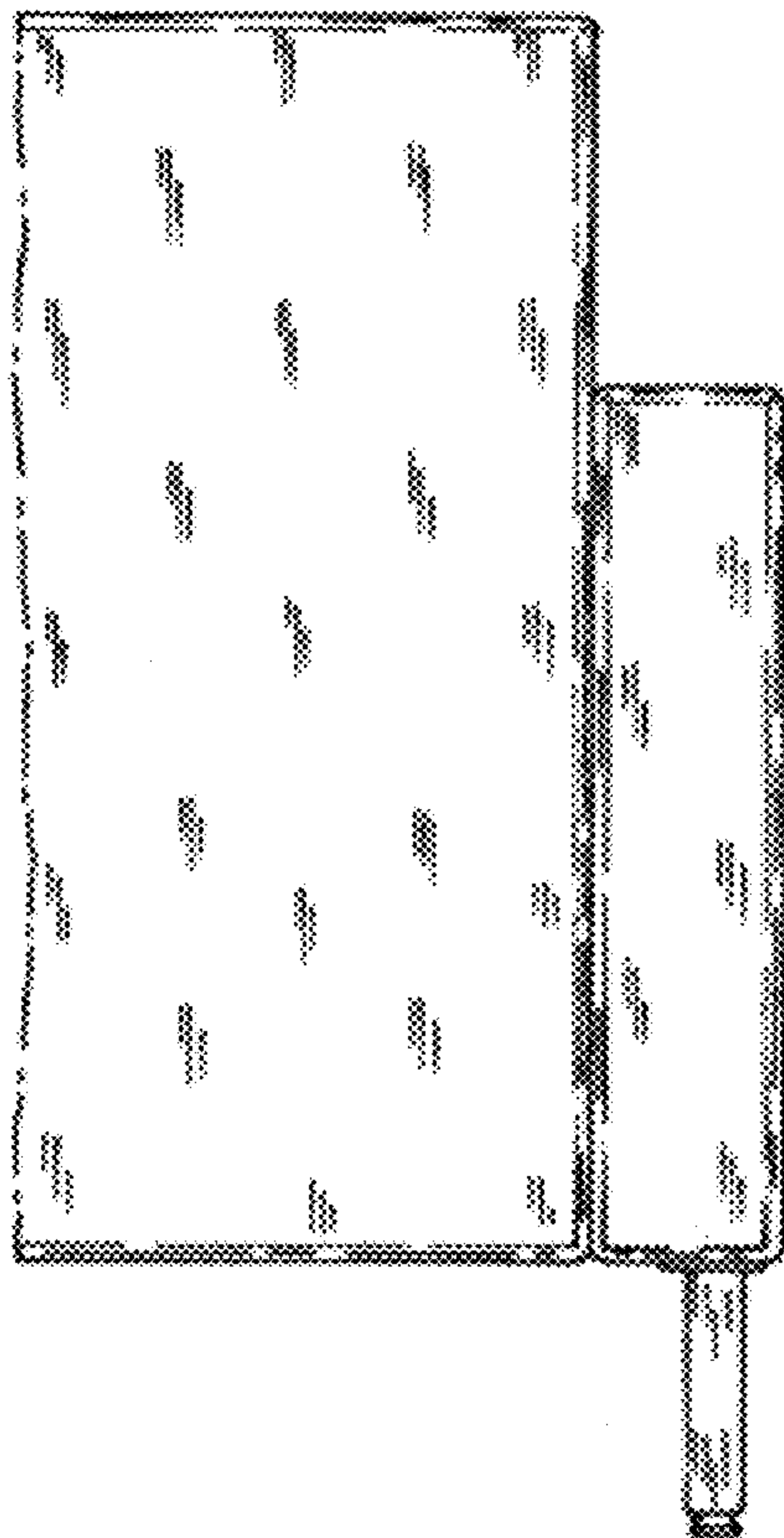


FIG. 3

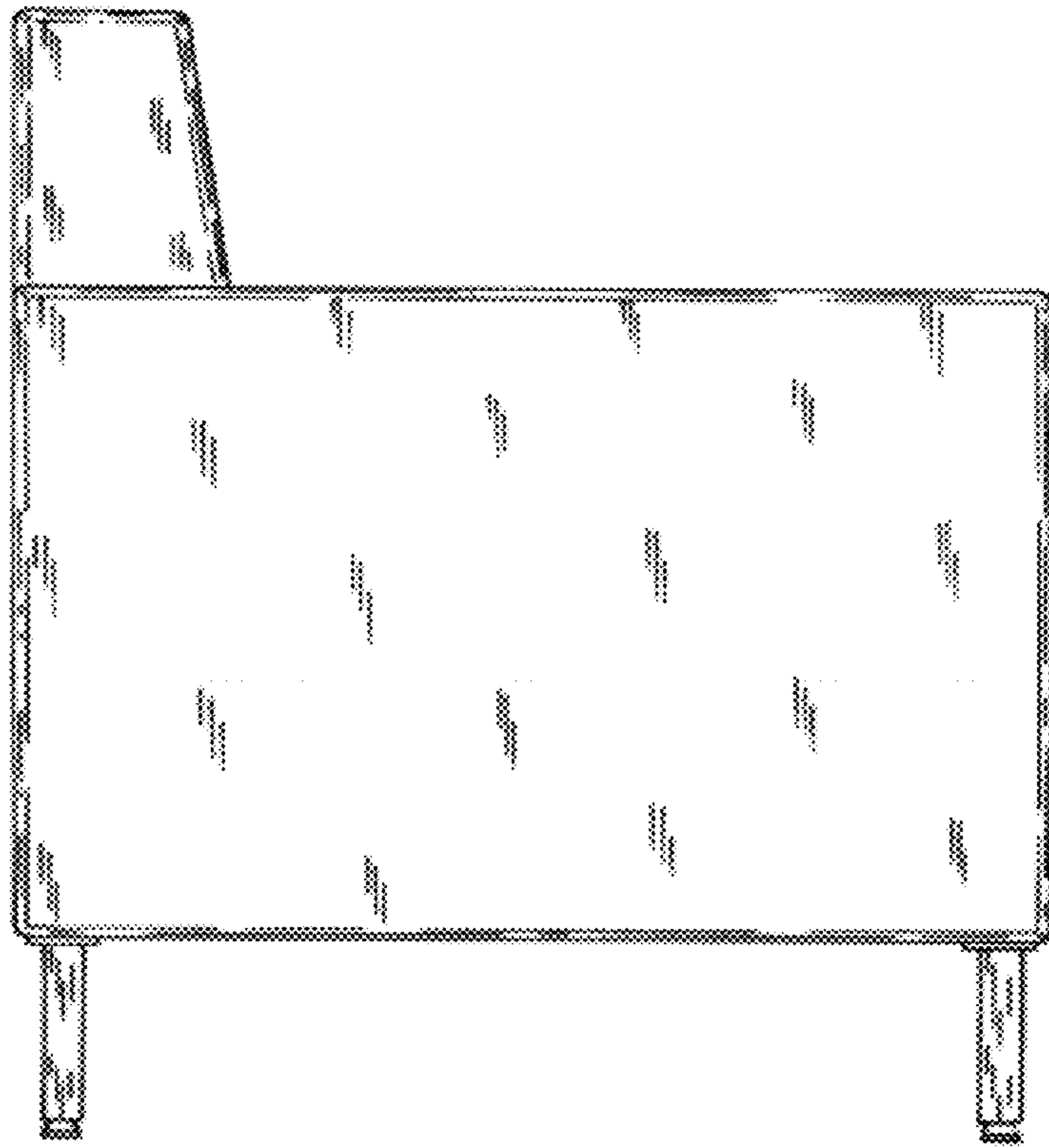


FIG. 4

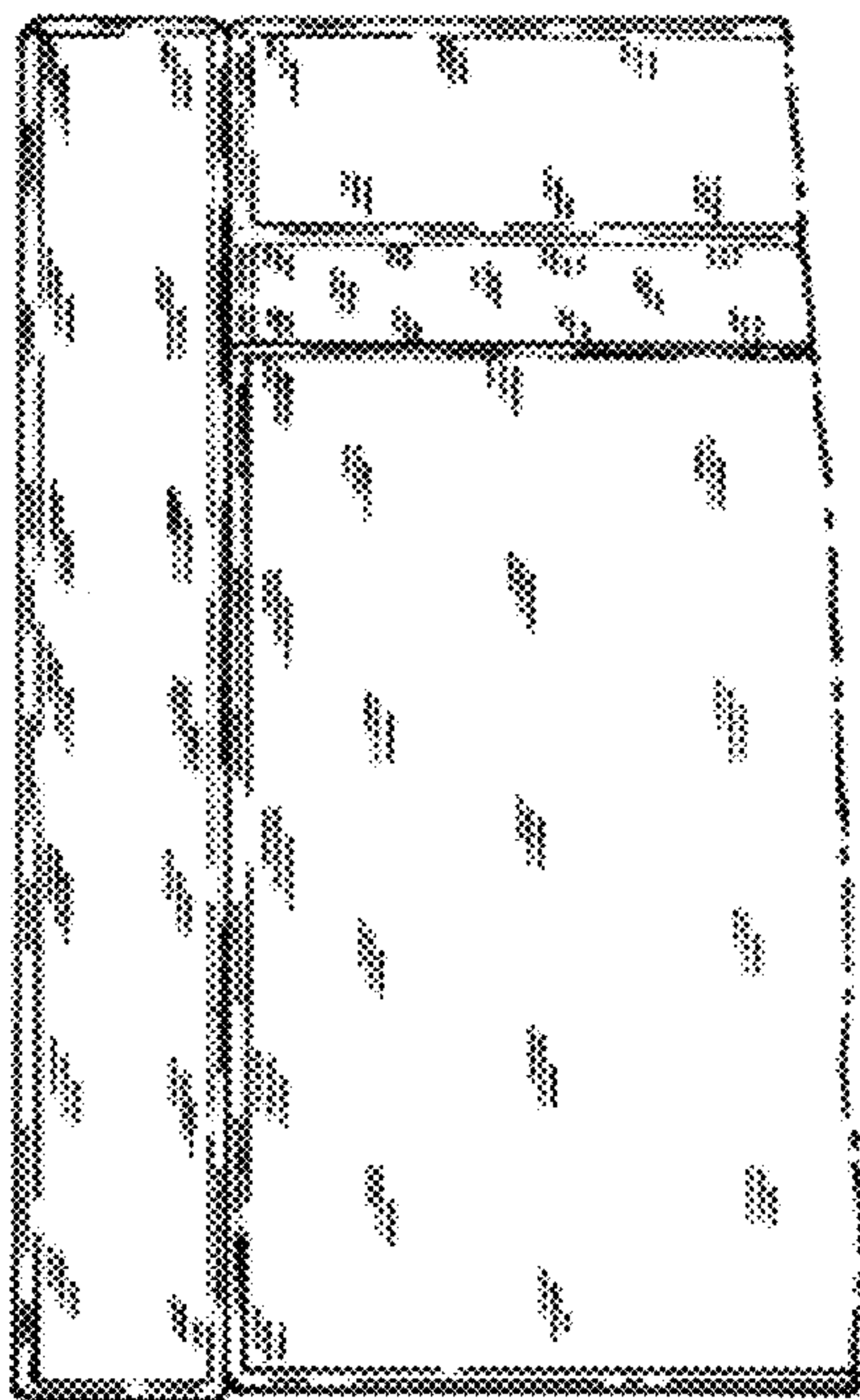


FIG. 5