

US00D666841S

(12) **United States Design Patent**  
**Czumaj-Bront et al.**

(10) **Patent No.:** **US D666,841 S**  
(45) **Date of Patent:** **\*\* Sep. 11, 2012**

(54) **OFFICE CHAIR**

(75) Inventors: **Nicolai Czumaj-Bront**, Grand Rapids, MI (US); **Michael W. Welsh**, Rockford, MI (US)

(73) Assignee: **Haworth Inc.**, Holland, MI (US)

(\*\*) Term: **14 Years**

(21) Appl. No.: **29/419,209**

(22) Filed: **Apr. 26, 2012**

**Related U.S. Application Data**

(62) Division of application No. 29/411,128, filed on Jan. 17, 2012, now Pat. No. Des. 662,331, which is a division of application No. 29/349,720, filed on Apr. 26, 2010, now Pat. No. Des. 655,522.

(51) **LOC (9) Cl.** ..... **06-01**

(52) **U.S. Cl.** ..... **D6/366**

(58) **Field of Classification Search** ..... D6/334-336, D6/360-369, 373-374, 379-380, 498, 500-502, D6/601; 297/284.1-284.5, 291, 297, 300.2, 297/303.1, 411.2, 411.27-411.29, 452.13, 297/452.19, 452.21, 452.29, 452.3, 452.56, 297/452.63

See application file for complete search history.

(56) **References Cited**

**U.S. PATENT DOCUMENTS**

|              |         |                   |       |        |
|--------------|---------|-------------------|-------|--------|
| D410,799 S * | 6/1999  | Meda              | ..... | D6/366 |
| D418,316 S   | 1/2000  | Vogtherr          |       |        |
| D444,309 S   | 7/2001  | Nagamitsu         |       |        |
| D446,397 S   | 8/2001  | Pennington et al. |       |        |
| D476,493 S   | 7/2003  | Nagamitsu         |       |        |
| D476,820 S   | 7/2003  | Nagamitsu         |       |        |
| D476,821 S   | 7/2003  | Koepke et al.     |       |        |
| D477,469 S * | 7/2003  | Brooks            | ..... | D6/366 |
| D479,416 S   | 9/2003  | Raftery           |       |        |
| D482,220 S   | 11/2003 | Grove             |       |        |
| D486,315 S * | 2/2004  | Beaulieu et al.   | ..... | D6/366 |
| D505,024 S   | 5/2005  | Bellin            |       |        |
| 6,935,689 B2 | 8/2005  | Horiki et al.     |       |        |
| D509,671 S   | 9/2005  | Olson et al.      |       |        |

|              |         |                    |       |        |
|--------------|---------|--------------------|-------|--------|
| D509,969 S   | 9/2005  | Loew et al.        |       |        |
| D528,811 S   | 9/2006  | Giugiaro           |       |        |
| D534,383 S   | 1/2007  | Chu                |       |        |
| D535,112 S * | 1/2007  | Bernett et al.     | ..... | D6/366 |
| D536,890 S   | 2/2007  | Loew et al.        |       |        |
| D543,041 S   | 5/2007  | Hara               |       |        |
| D543,042 S   | 5/2007  | Hara               |       |        |
| D543,736 S   | 6/2007  | Shields            |       |        |
| D553,376 S * | 10/2007 | Nakamura et al.    | ..... | D6/366 |
| D557,917 S   | 12/2007 | Nakamura et al.    |       |        |
| D558,994 S   | 1/2008  | Machael et al.     |       |        |
| D559,573 S   | 1/2008  | Igarashi           |       |        |
| D559,574 S   | 1/2008  | Igarashi           |       |        |
| D561,499 S   | 2/2008  | Schweikarth et al. |       |        |
| D563,687 S   | 3/2008  | Neil               |       |        |
| D567,521 S * | 4/2008  | Igarashi           | ..... | D6/366 |
| D567,522 S   | 4/2008  | Igarashi           |       |        |
| D567,523 S * | 4/2008  | Hara               | ..... | D6/366 |
| D568,623 S   | 5/2008  | Dauphin            |       |        |
| D571,568 S   | 6/2008  | Overthun et al.    |       |        |
| D576,812 S   | 9/2008  | Van Severen        |       |        |
| D576,814 S   | 9/2008  | Baldanzi et al.    |       |        |

(Continued)

*Primary Examiner* — Ricky Pham

(74) *Attorney, Agent, or Firm* — Warner Norcross & Judd LLP

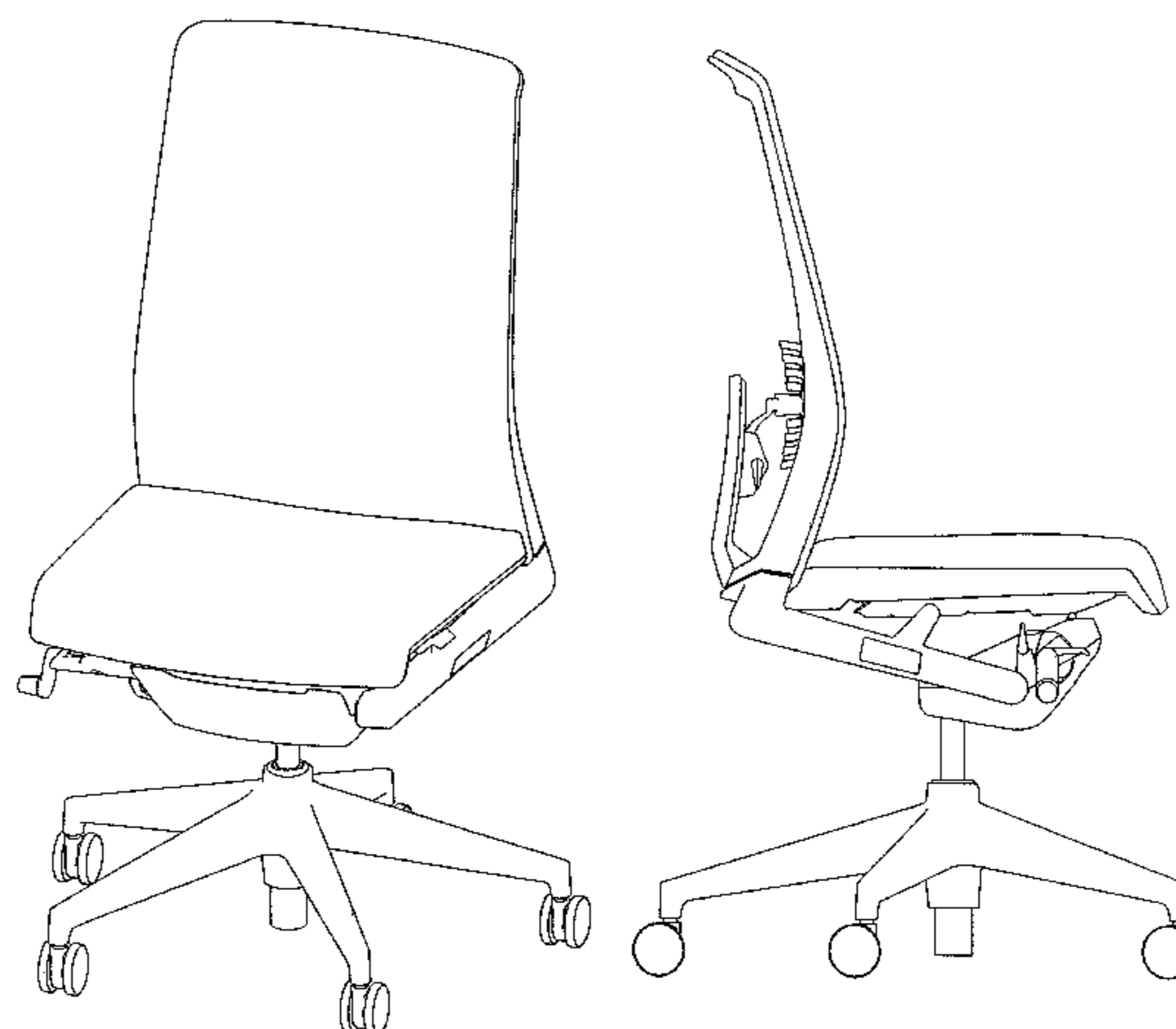
(57) **CLAIM**

An ornamental design for an office chair, as shown and described in the attached drawings.

**DESCRIPTION**

FIG. 1 is a right, front perspective view of a first embodiment of an office chair embodying our design;  
FIG. 2 is a front view thereof;  
FIG. 3 is a rear view thereof;  
FIG. 4 is a left side view thereof;  
FIG. 5 is a right side view thereof;  
FIG. 6 is a right, front perspective view of a second embodiment of an office chair embodying our design;  
FIG. 7 is a front view thereof;  
FIG. 8 is a rear view thereof;  
FIG. 9 is a left side view thereof; and,  
FIG. 10 is a right side view thereof.

**1 Claim, 10 Drawing Sheets**



# US D666,841 S

Page 2

## U.S. PATENT DOCUMENTS

|                   |         |                          |           |
|-------------------|---------|--------------------------|-----------|
| D577,934 S        | 10/2008 | Raftery et al.           |           |
| D582,170 S        | 12/2008 | Chi                      |           |
| D583,581 S *      | 12/2008 | Hara .....               | D6/366    |
| D590,613 S *      | 4/2009  | Ueda .....               | D6/366    |
| D595,970 S        | 7/2009  | Ueda                     |           |
| D595,971 S        | 7/2009  | Ueda                     |           |
| D596,418 S        | 7/2009  | Ueda                     |           |
| D597,349 S        | 8/2009  | Wilkinson et al.         |           |
| D600,462 S        | 9/2009  | Ooki et al.              |           |
| D601,372 S        | 10/2009 | Kim                      |           |
| D607,653 S        | 1/2010  | Wilkinson et al.         |           |
| D607,672 S        | 1/2010  | Kubryk                   |           |
| D609,021 S        | 2/2010  | Ooki et al.              |           |
| D609,482 S *      | 2/2010  | Englisch et al. ....     | D6/366    |
| D613,086 S *      | 4/2010  | Fujita .....             | D6/366    |
| D613,088 S *      | 4/2010  | Fujita .....             | D6/366    |
| D618,469 S *      | 6/2010  | Romero .....             | D6/366    |
| D634,558 S        | 3/2011  | Deisig                   |           |
| D636,614 S *      | 4/2011  | Sander et al. ....       | D6/366    |
| D646,093 S        | 10/2011 | Collinson                |           |
| D646,914 S *      | 10/2011 | Gaschy .....             | D6/500    |
| D647,717 S *      | 11/2011 | Zund et al. ....         | D6/366    |
| D648,147 S *      | 11/2011 | Izawa .....              | D6/366    |
| D648,552 S        | 11/2011 | Izawa                    |           |
| D652,646 S        | 1/2012  | Fujita                   |           |
| D652,647 S *      | 1/2012  | Schaack .....            | D6/366    |
| D653,044 S *      | 1/2012  | Schaack .....            | D6/366    |
| D653,045 S *      | 1/2012  | Schaack .....            | D6/366    |
| D654,280 S        | 2/2012  | Fujita                   |           |
| D654,709 S        | 2/2012  | Fujita                   |           |
| D654,710 S        | 2/2012  | Fujita                   |           |
| D654,711 S        | 2/2012  | Fujita                   |           |
| D655,522 S        | 3/2012  | Czumaj-Bront et al.      |           |
| D656,329 S *      | 3/2012  | Nakamura et al. ....     | D6/366    |
| D656,752 S *      | 4/2012  | Moll .....               | D6/366    |
| D659,417 S *      | 5/2012  | Schmitz et al. ....      | D6/366    |
| D662,330 S *      | 6/2012  | Tanaka et al. ....       | D6/366    |
| D662,331 S *      | 6/2012  | Czumaj-Bront et al. .... | D6/366    |
| 2005/0035638 A1 * | 2/2005  | Pennington et al. ....   | 297/300.2 |

\* cited by examiner

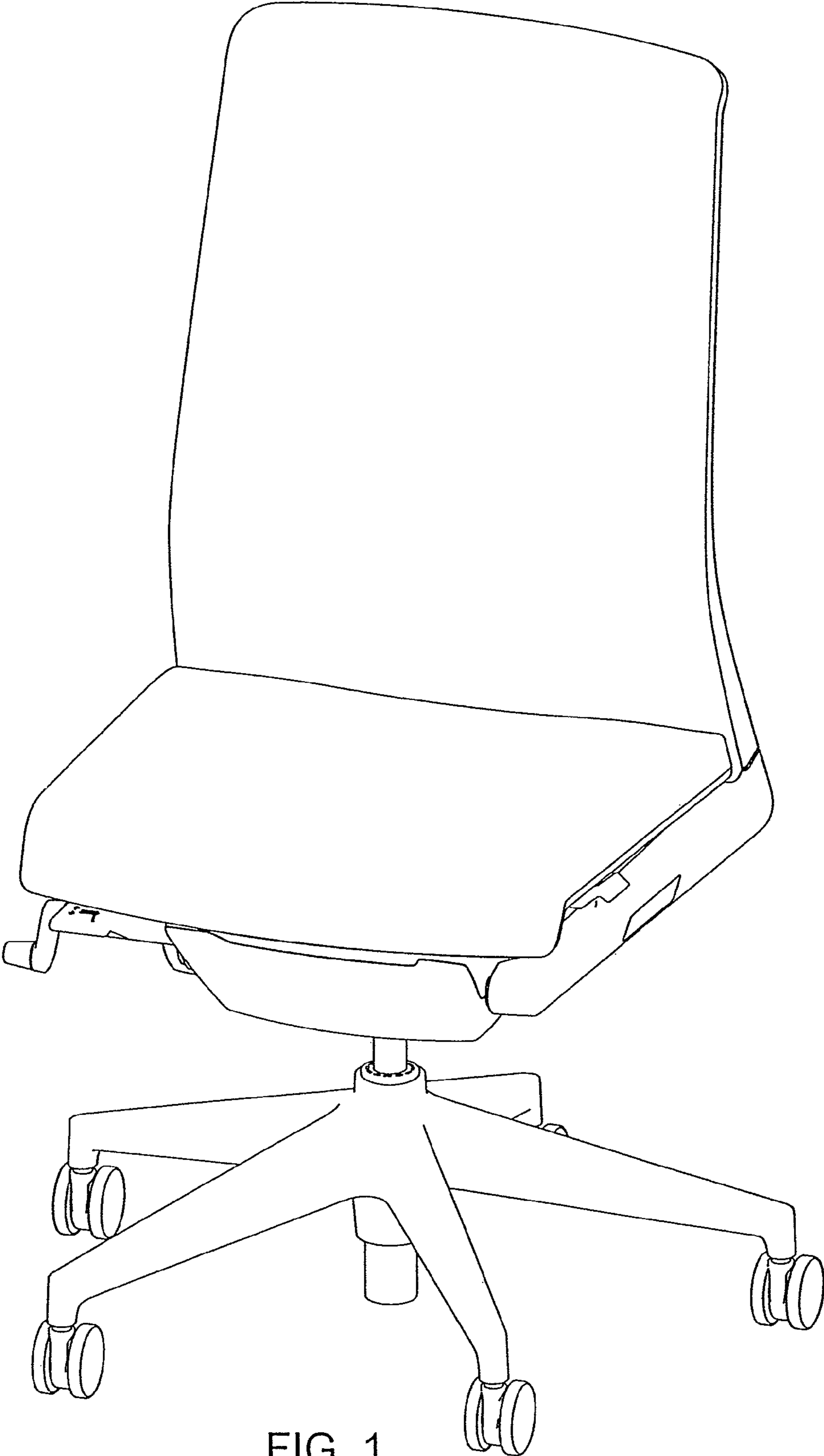


FIG. 1

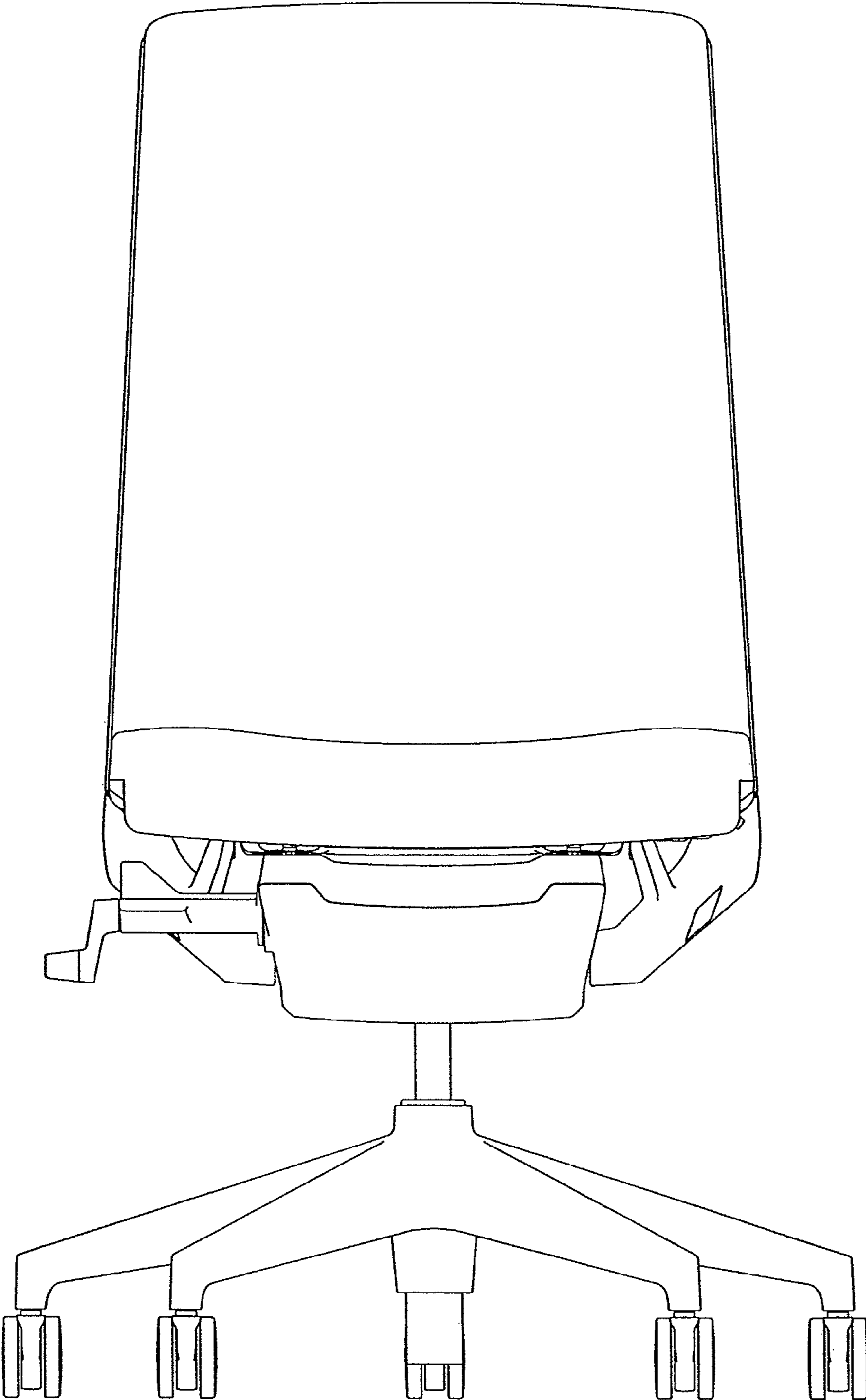


FIG. 2

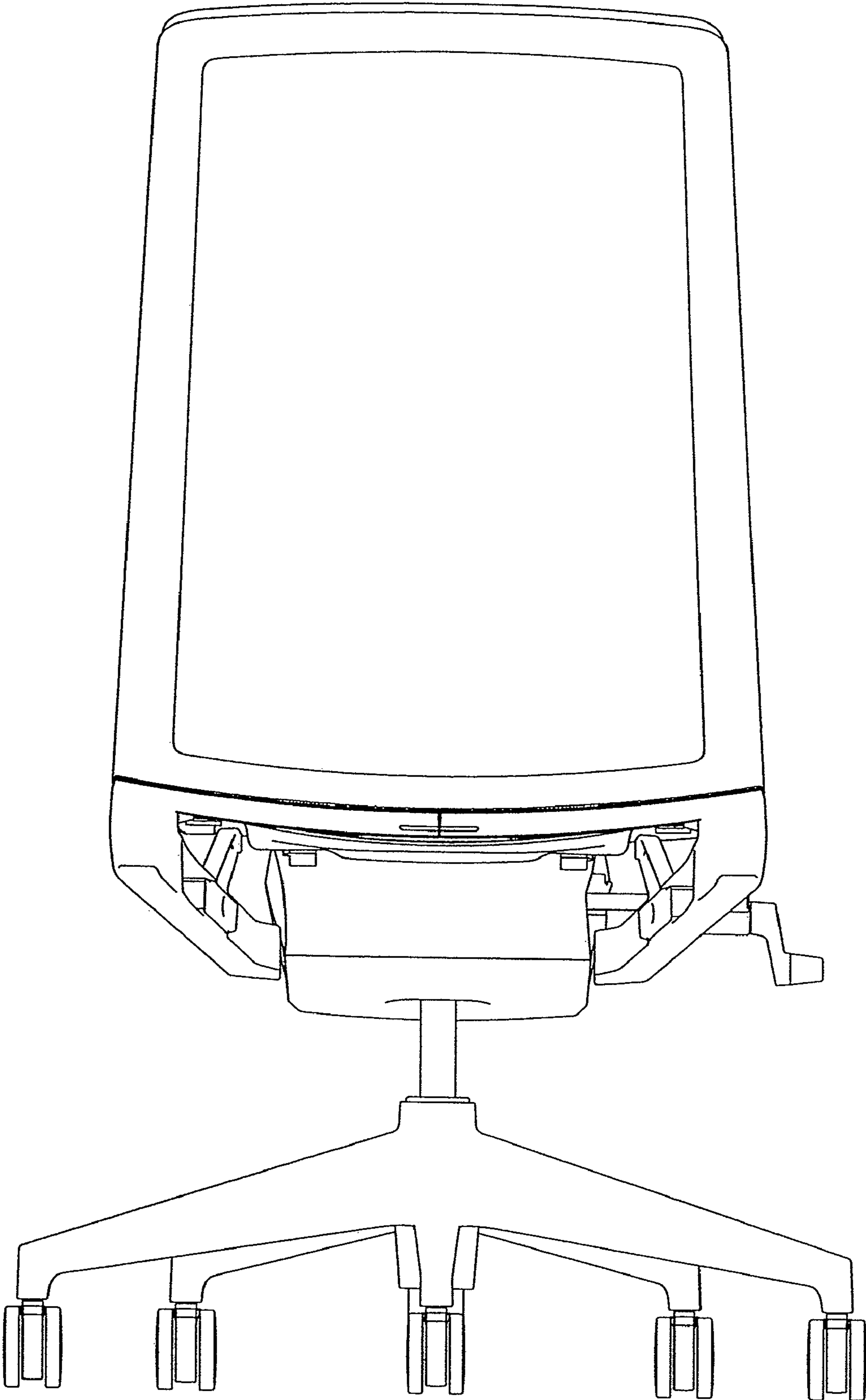


FIG. 3

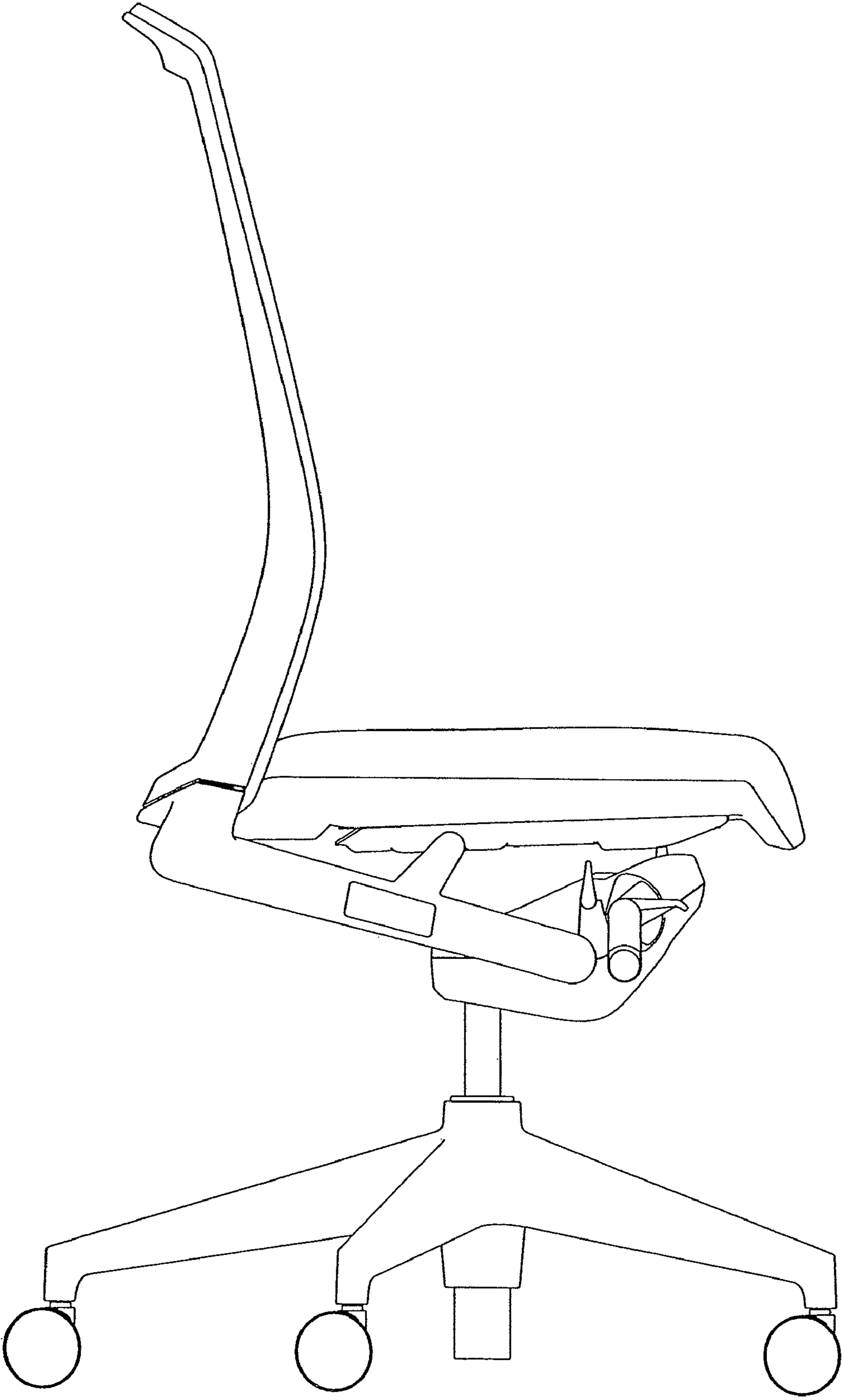


FIG. 4

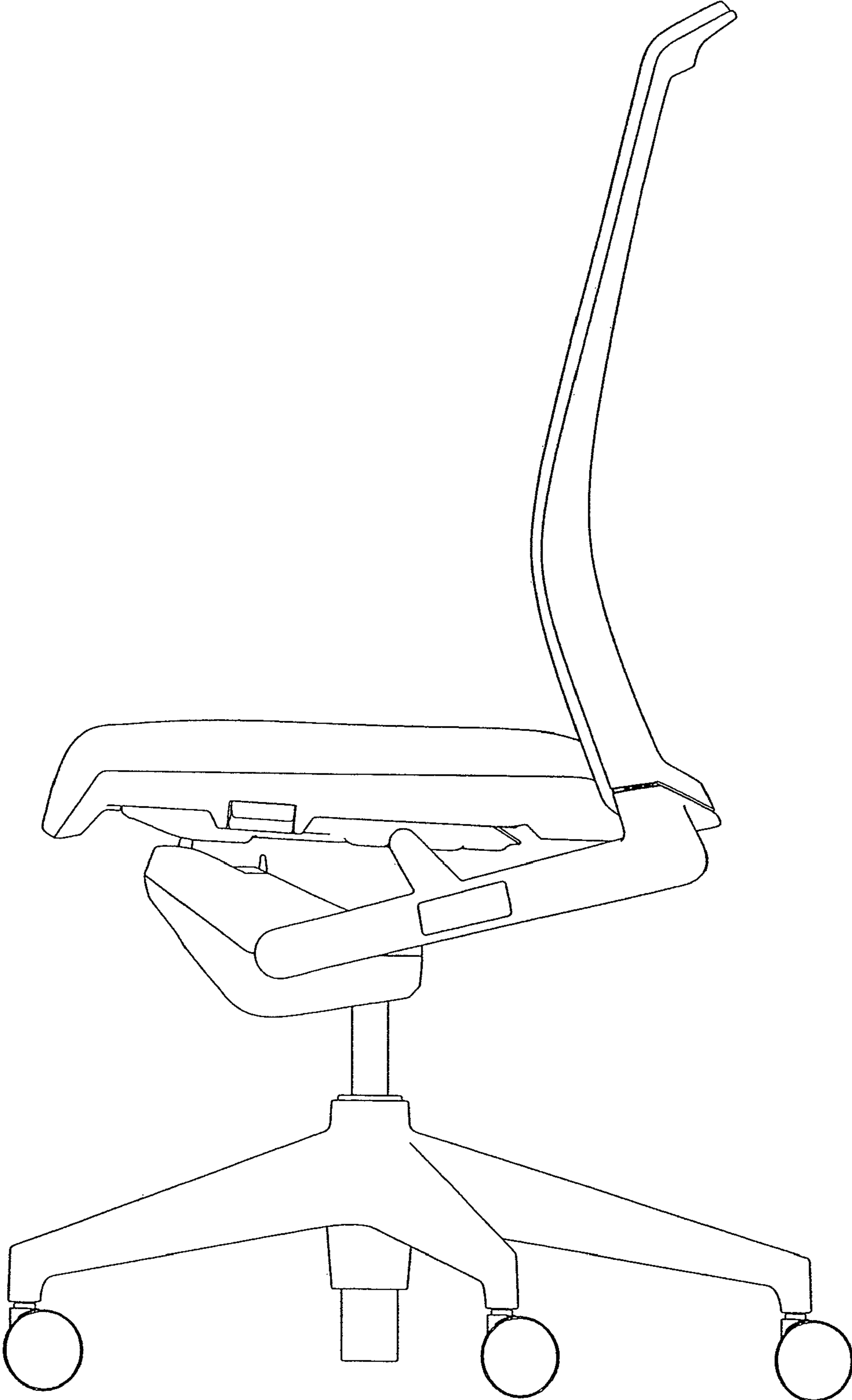


FIG. 5

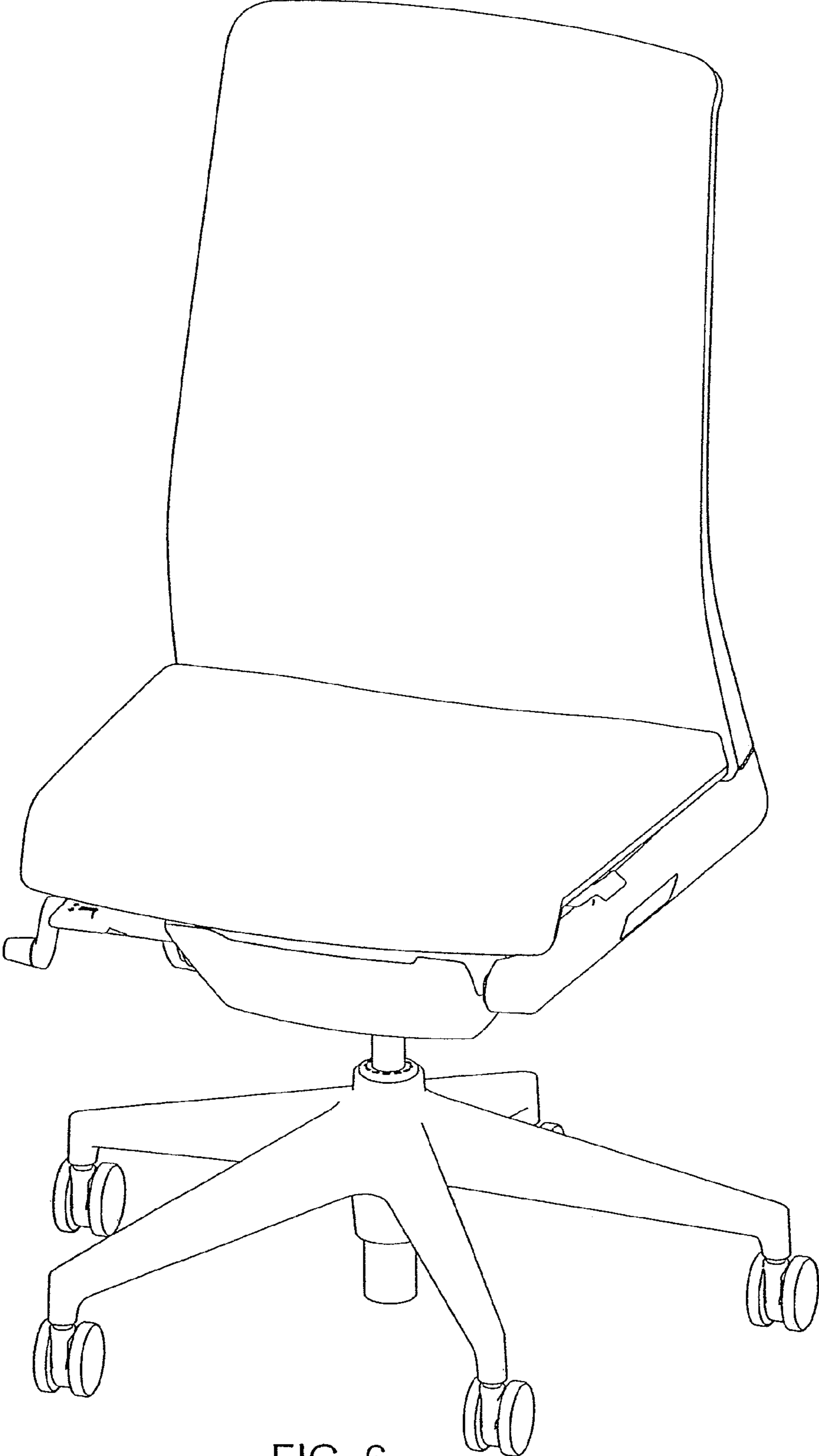


FIG. 6



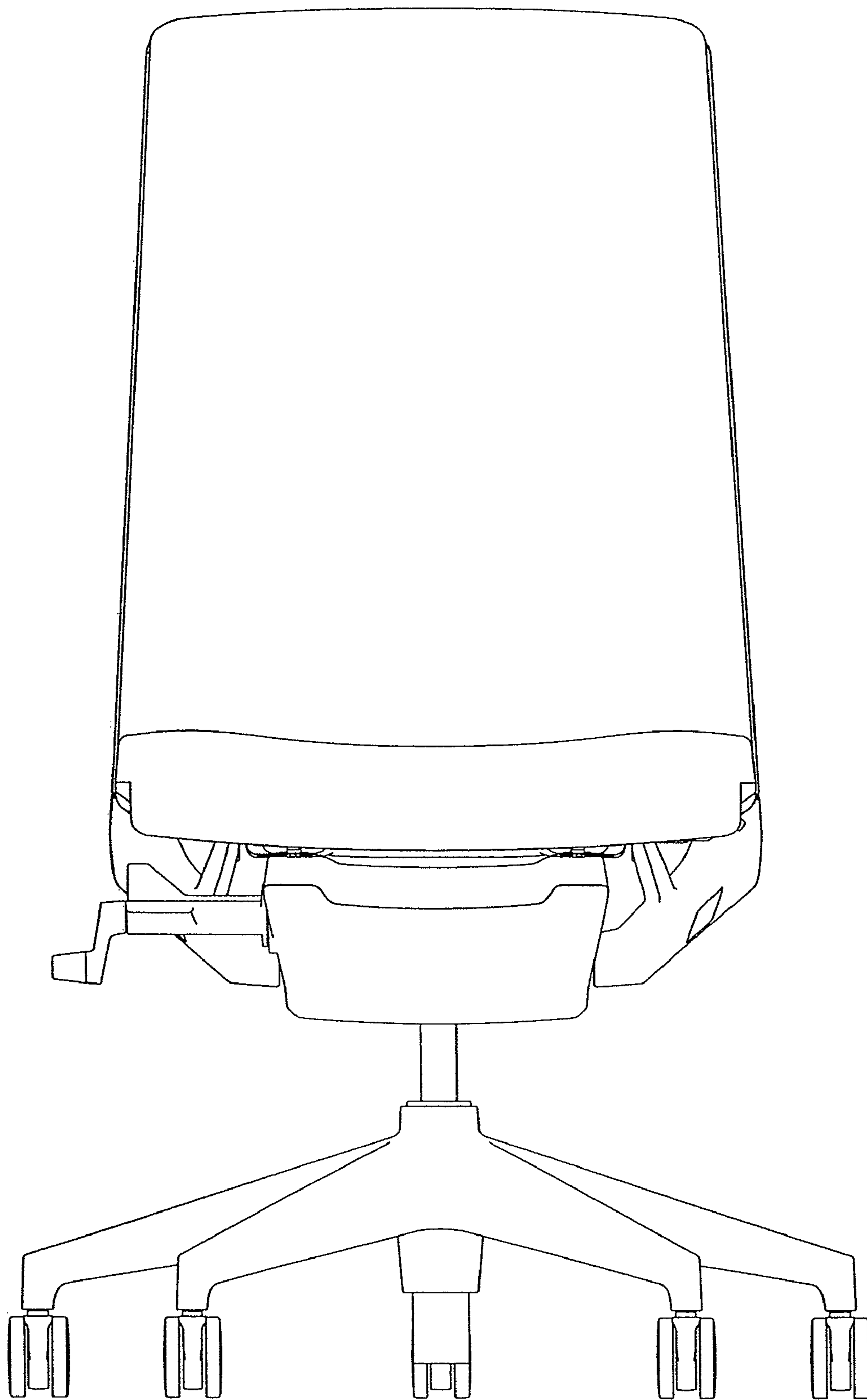


FIG. 7

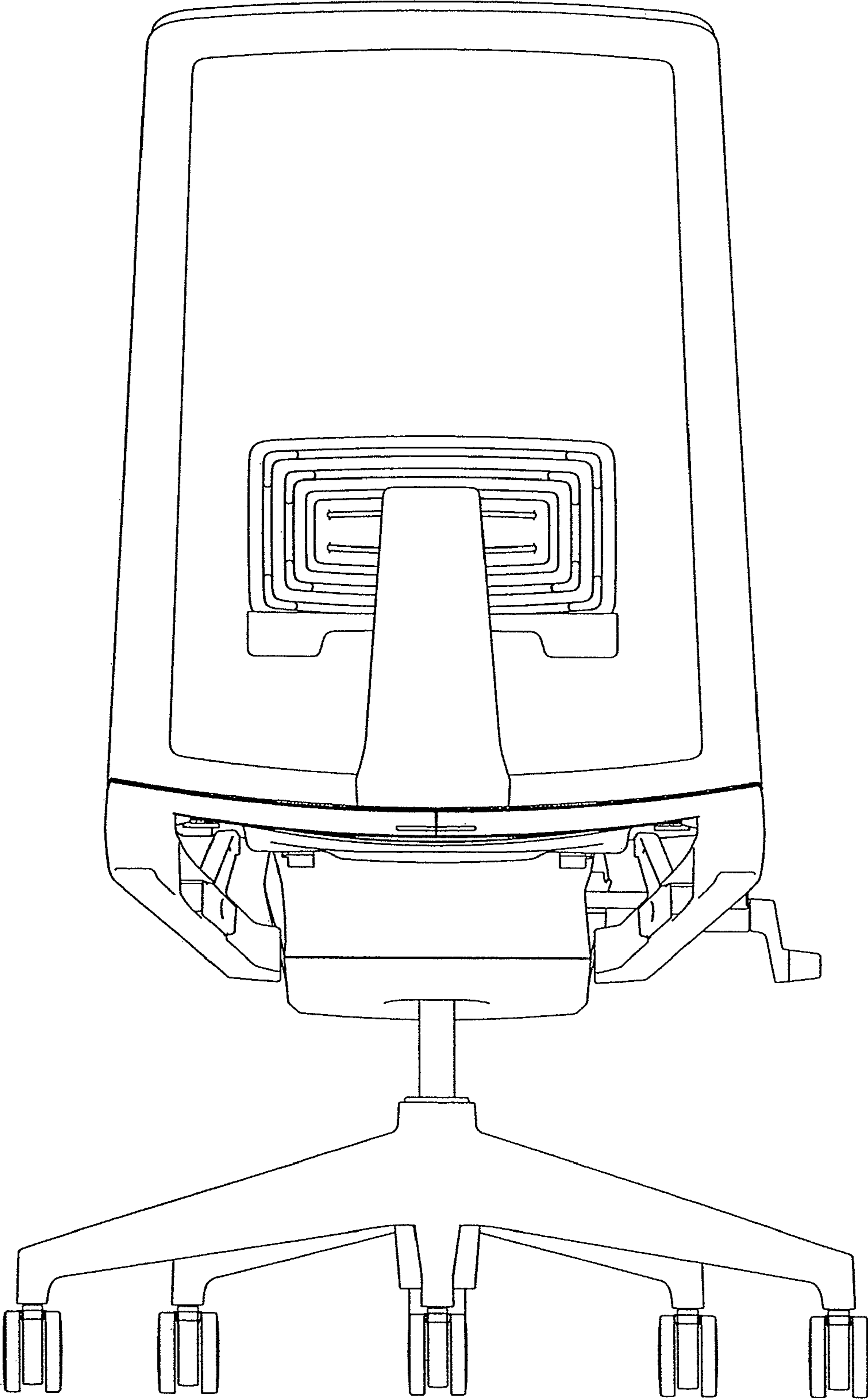


FIG. 8

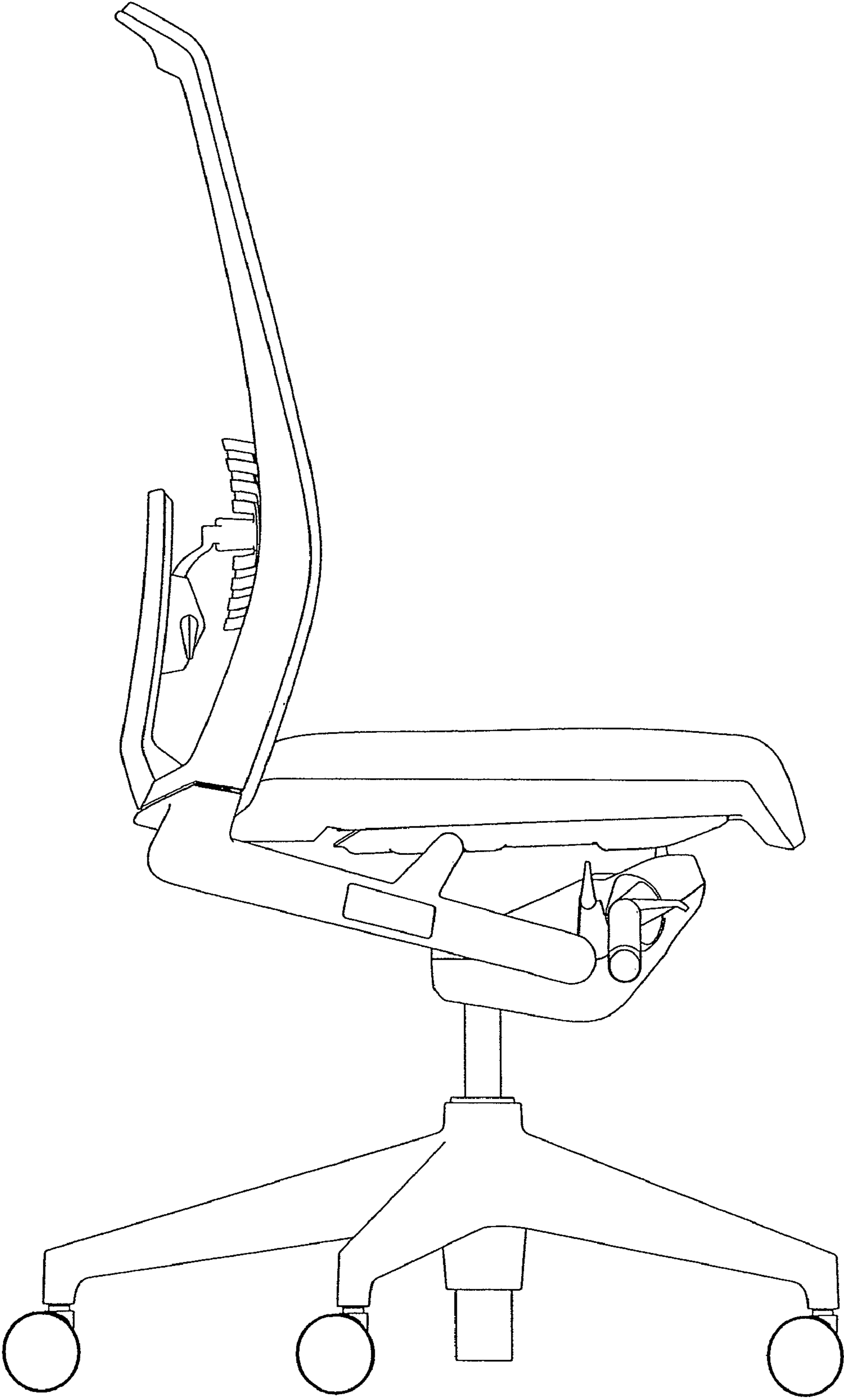


FIG. 9

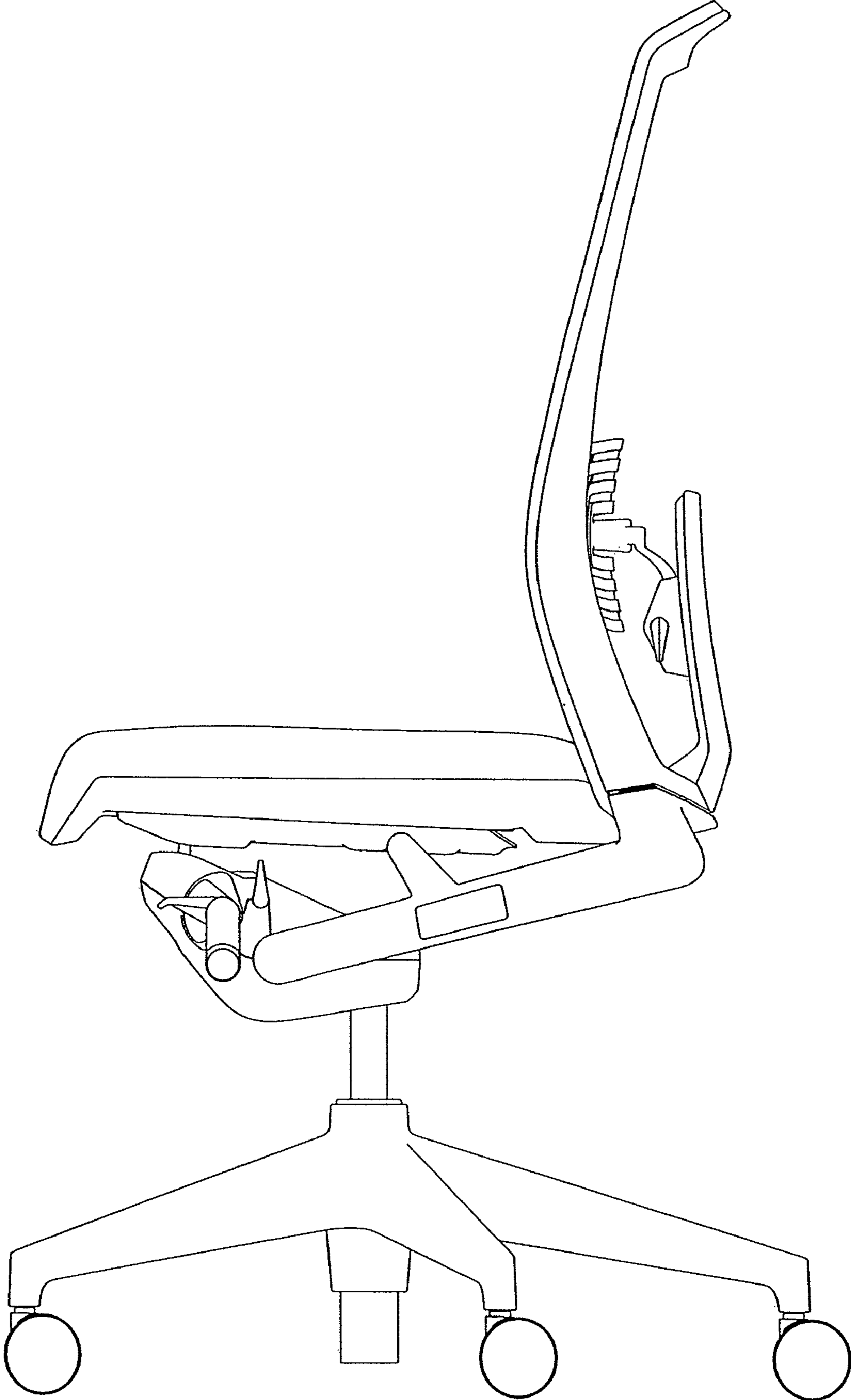


FIG. 10