

US00D666840S

(12) **United States Design Patent**  
**Johnson et al.**

(10) **Patent No.:** **US D666,840 S**

(45) **Date of Patent:** **\*\* Sep. 11, 2012**

(54) **OTTOMAN**

D625,678 S \* 10/2010 Heinz ..... D12/217  
D644,447 S \* 9/2011 Miller et al. .... D6/349

(75) Inventors: **Cynthia Ellen Johnson**, Branchburg, NJ  
(US); **Lisa Ann Santangelo**,  
Branchburg, NJ (US)

\* cited by examiner

*Primary Examiner* — Sandra Snapp

(73) Assignees: **Cynthia E. Johnson**, Branchburg, NJ  
(US); **Lisa A. Santangelo**, Branchburg,  
NJ (US)

(57) **CLAIM**

The ornamental design for an ottoman, as shown and described.

**DESCRIPTION**

(\*\*) Term: **14 Years**

FIG. 1 is a front perspective view of a first embodiment of our design for an ottoman;

(21) Appl. No.: **29/403,381**

FIG. 2 is a front elevational view thereof (the right and left sides and the rear being mirror images of the front view);

(22) Filed: **Oct. 5, 2011**

FIG. 3 is a top plan view thereof;

(51) **LOC (9) Cl.** ..... **06-01**

FIG. 4 is a bottom plan view thereof;

(52) **U.S. Cl.** ..... **D6/353**

FIG. 5 is a front perspective view of a second embodiment of the design for an ottoman (the broken lines shown in the drawings are included for the purpose of illustration and form no part of the claimed design);

(58) **Field of Classification Search** ..... D6/335,  
D6/340, 349–355, 495, 500–502; 297/16.1,  
297/175, 187, 195.1, 423.1, 423.11, 423.14,  
297/423.16, 461, 462

FIG. 6 is a top plan view thereof (the broken lines shown on the drawing are included for the purpose of illustration and form no part of the claimed design);

See application file for complete search history.

FIG. 7 is a front perspective view of a third embodiment of our design for an ottoman (the thick, broken lines depict varying heights, lengths and/or widths);

(56) **References Cited**

**U.S. PATENT DOCUMENTS**

2,612,942 A \* 10/1952 Simjian ..... 297/461  
2,696,870 A \* 12/1954 Mende ..... 297/105  
2,822,861 A \* 2/1958 Parent ..... 248/394  
3,892,441 A \* 7/1975 Roeshman ..... 297/461  
5,466,041 A \* 11/1995 Hoffman et al. .... 297/188.1  
D532,618 S \* 11/2006 Mourgue ..... D6/352  
D580,666 S \* 11/2008 Sempe ..... D6/349  
D615,020 S \* 5/2010 Bock ..... D12/345

FIG. 8 is a front elevational view thereof (the thick, broken lines depict varying heights and/or lengths); and,  
FIG. 9 is a top plan view thereof (the thick, broken lines depict varying lengths and/or widths).

The broken lines shown on the drawings are included for the purpose of illustration and form no part of the claimed design. The thick, broken lines depict varying heights, lengths, and/or widths.

**1 Claim, 9 Drawing Sheets**

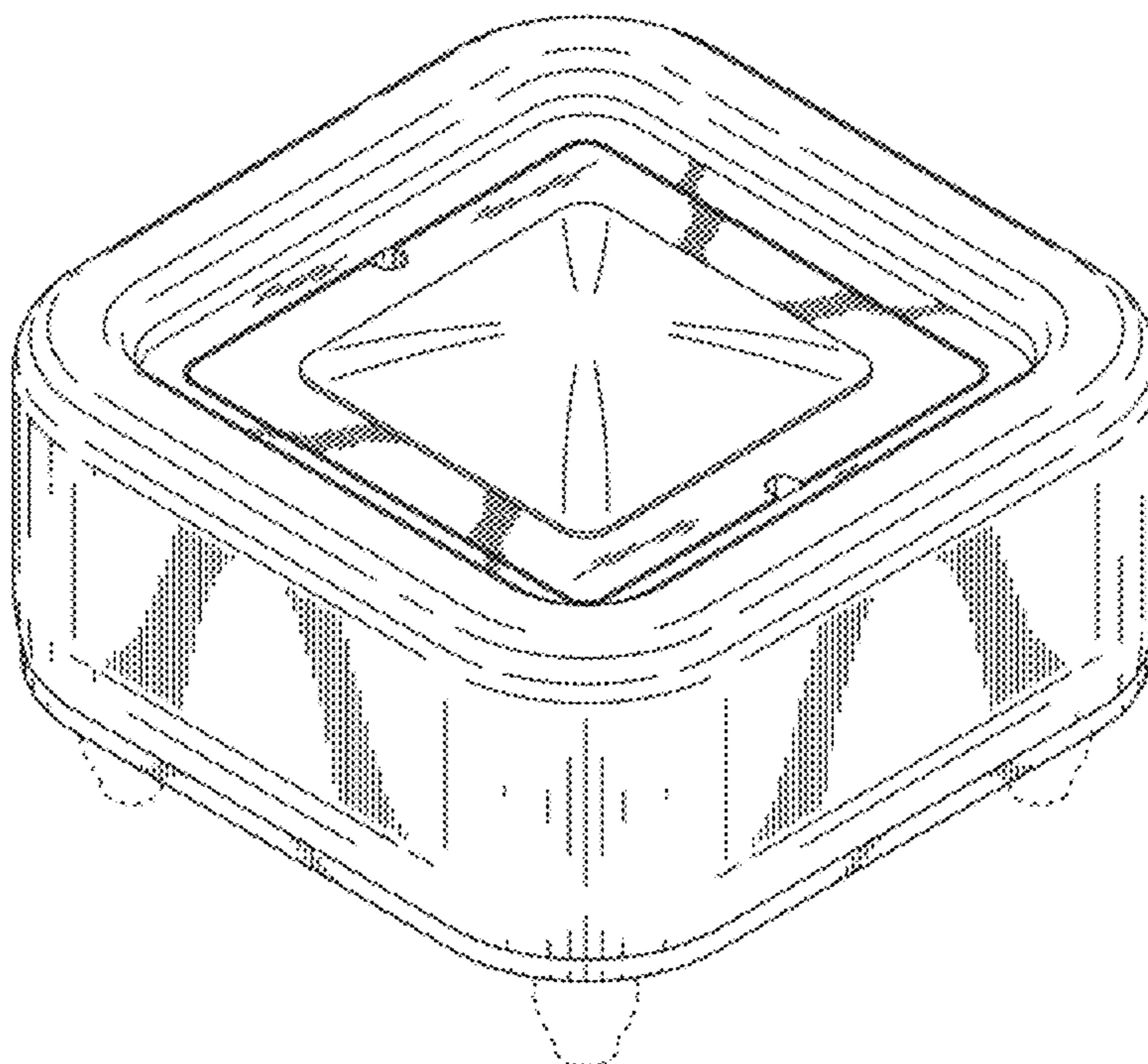


FIG. 1

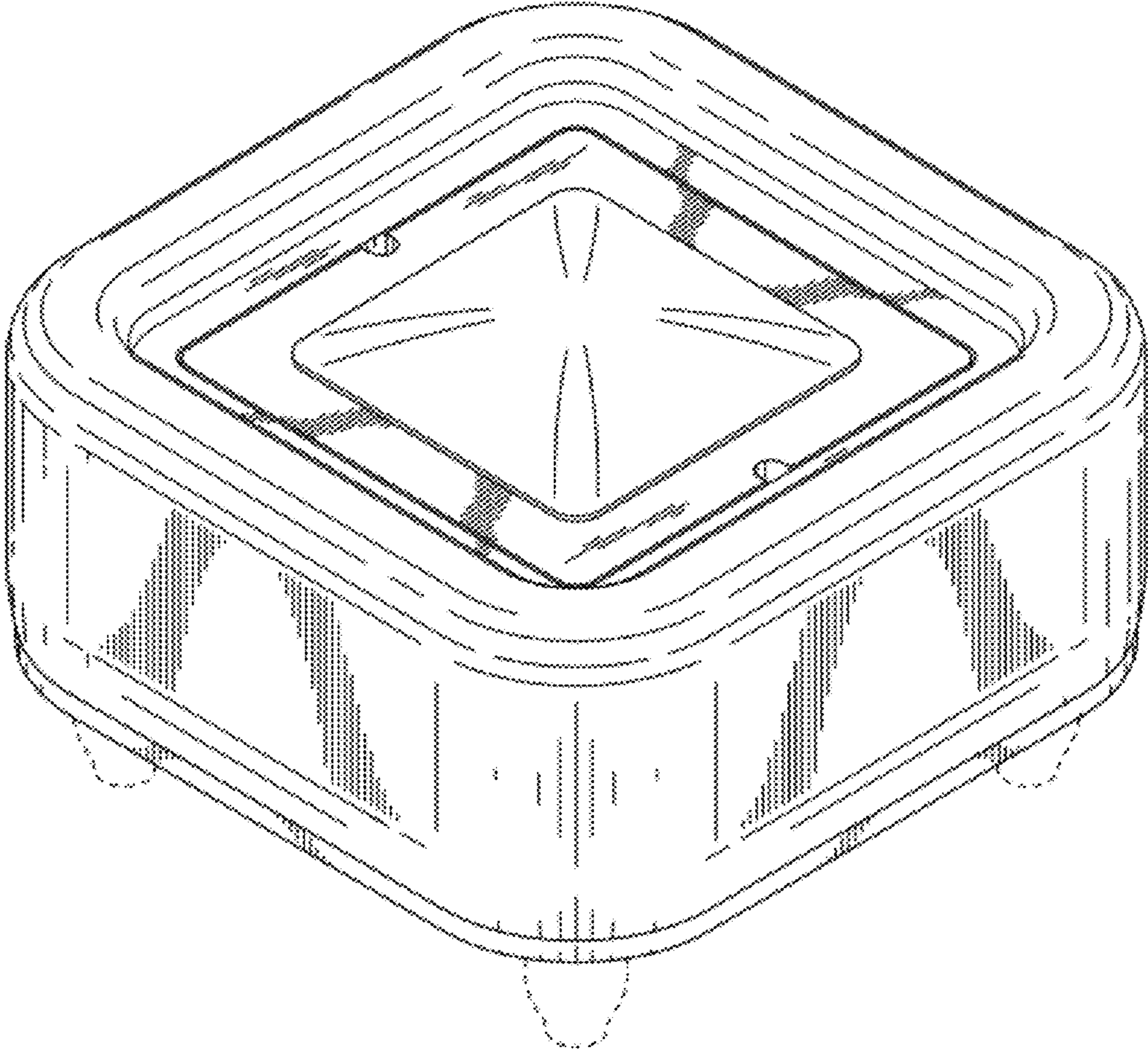


FIG. 2

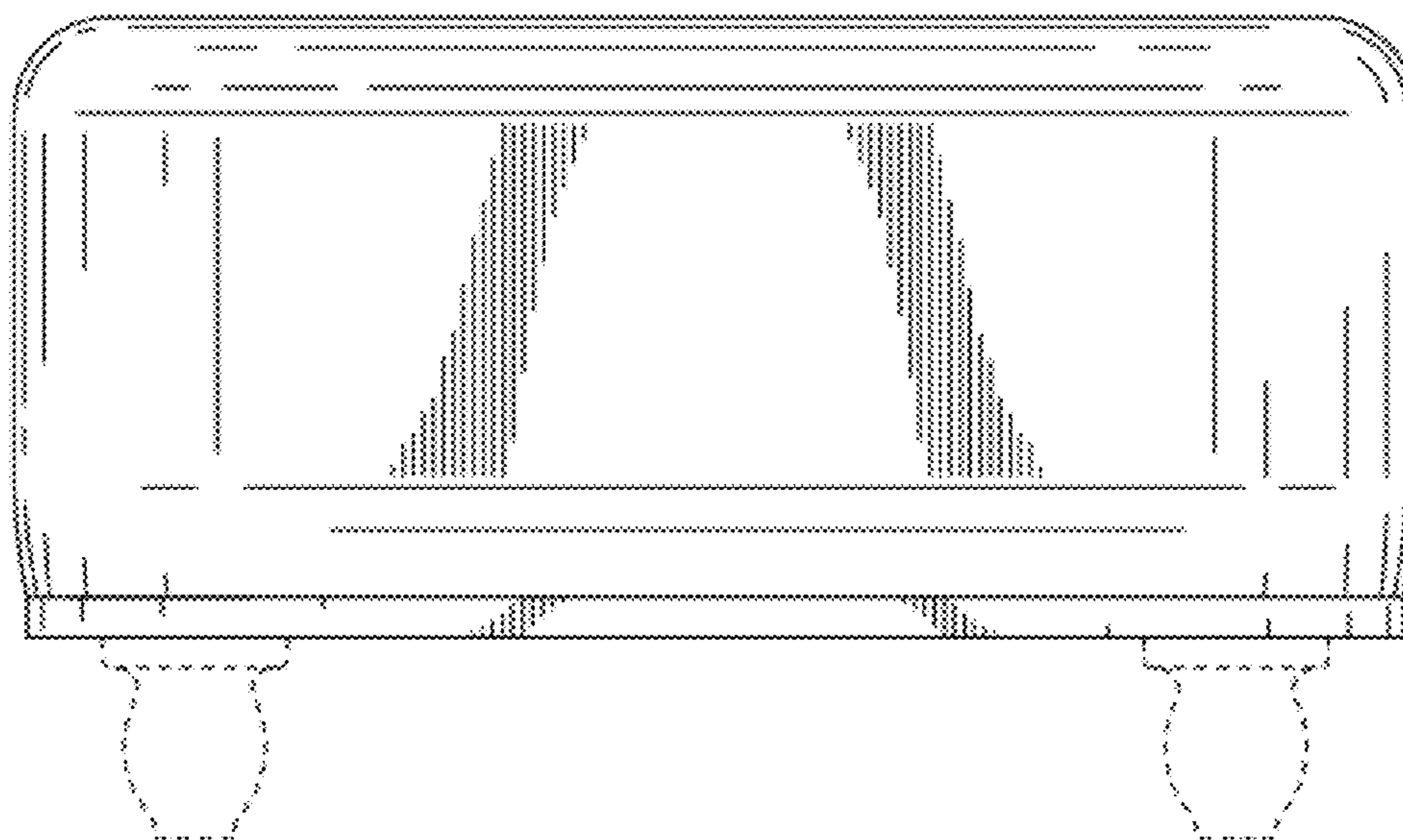




FIG. 3

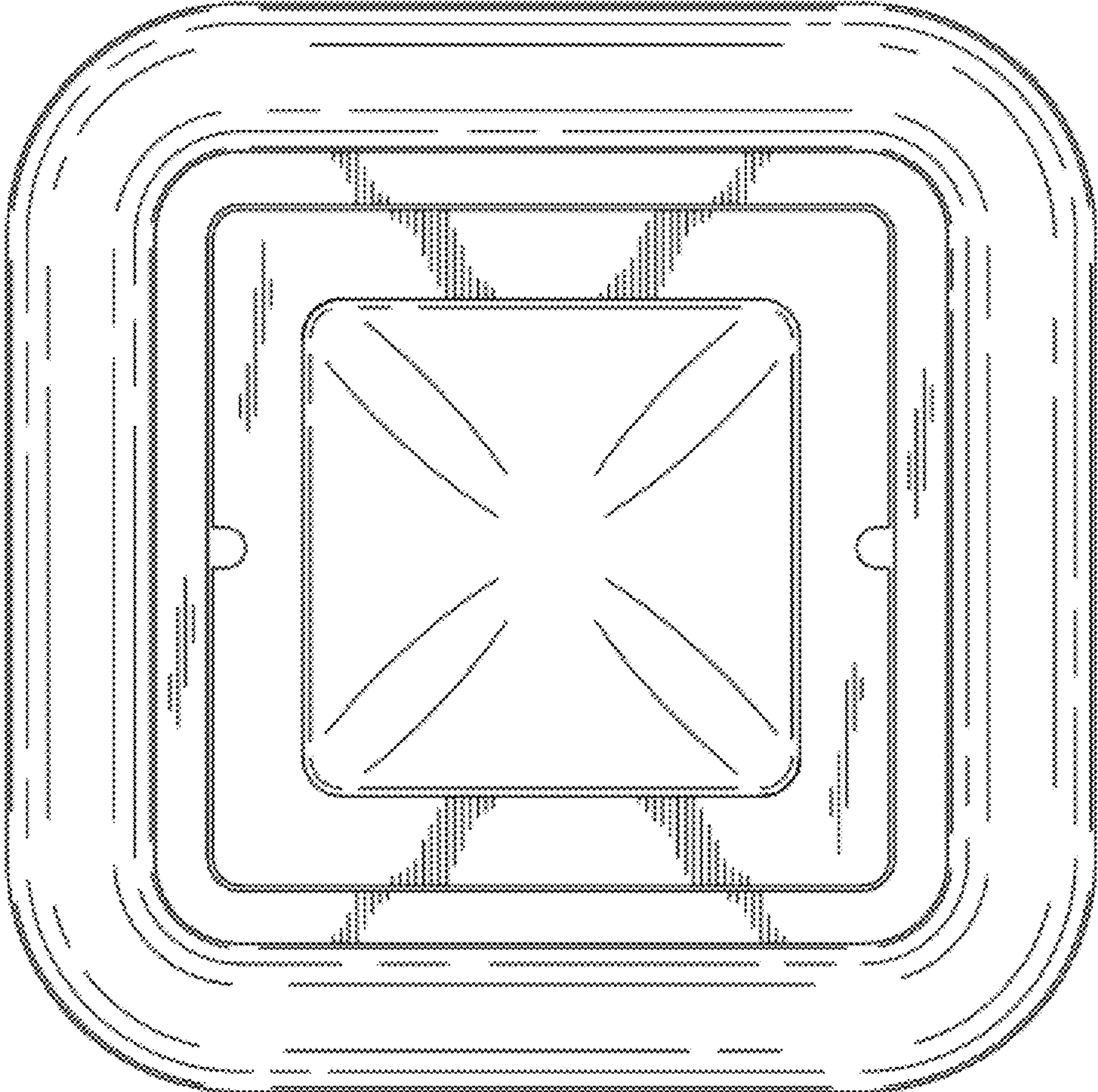


FIG. 4

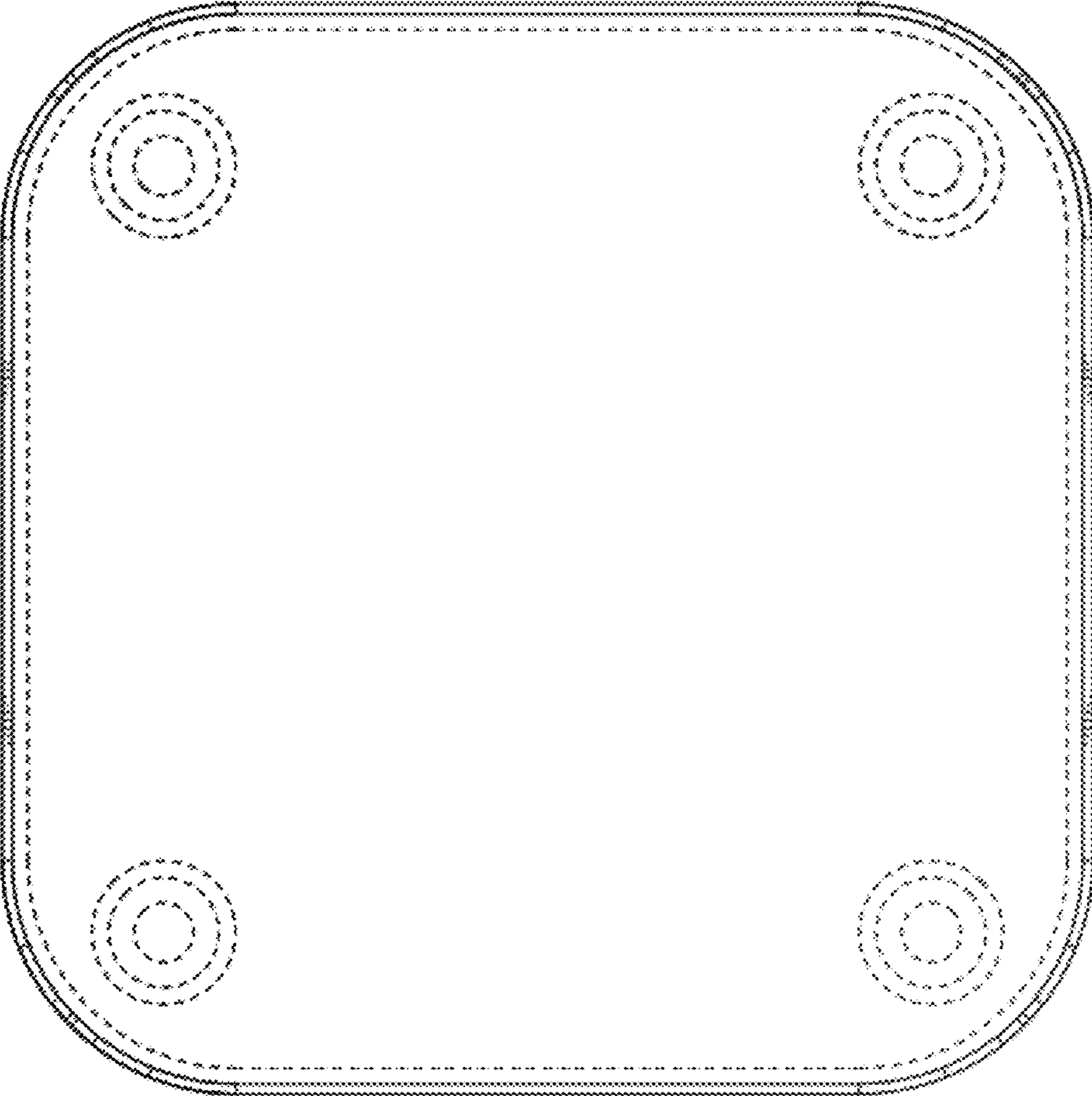


FIG. 5

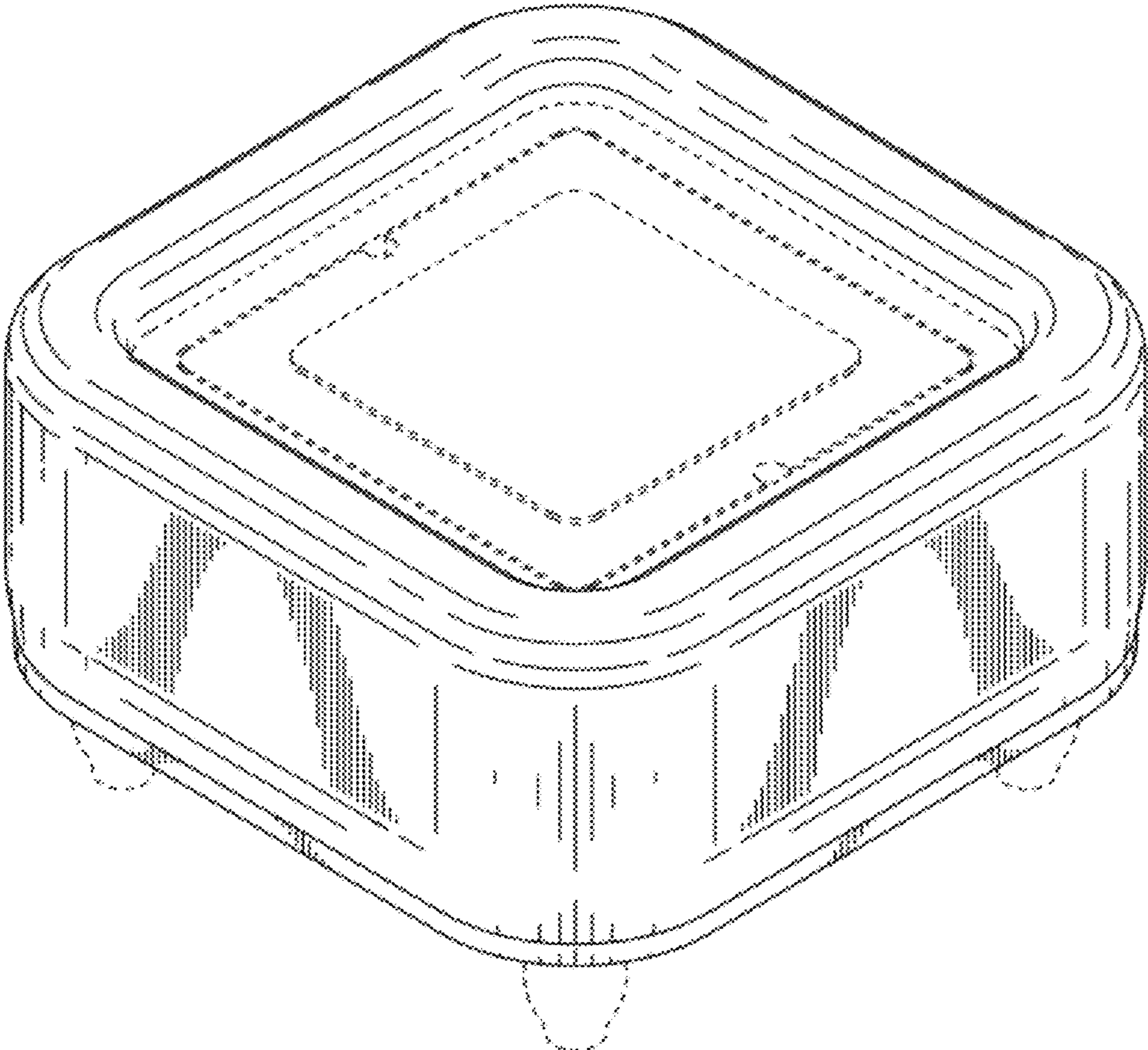


FIG. 6

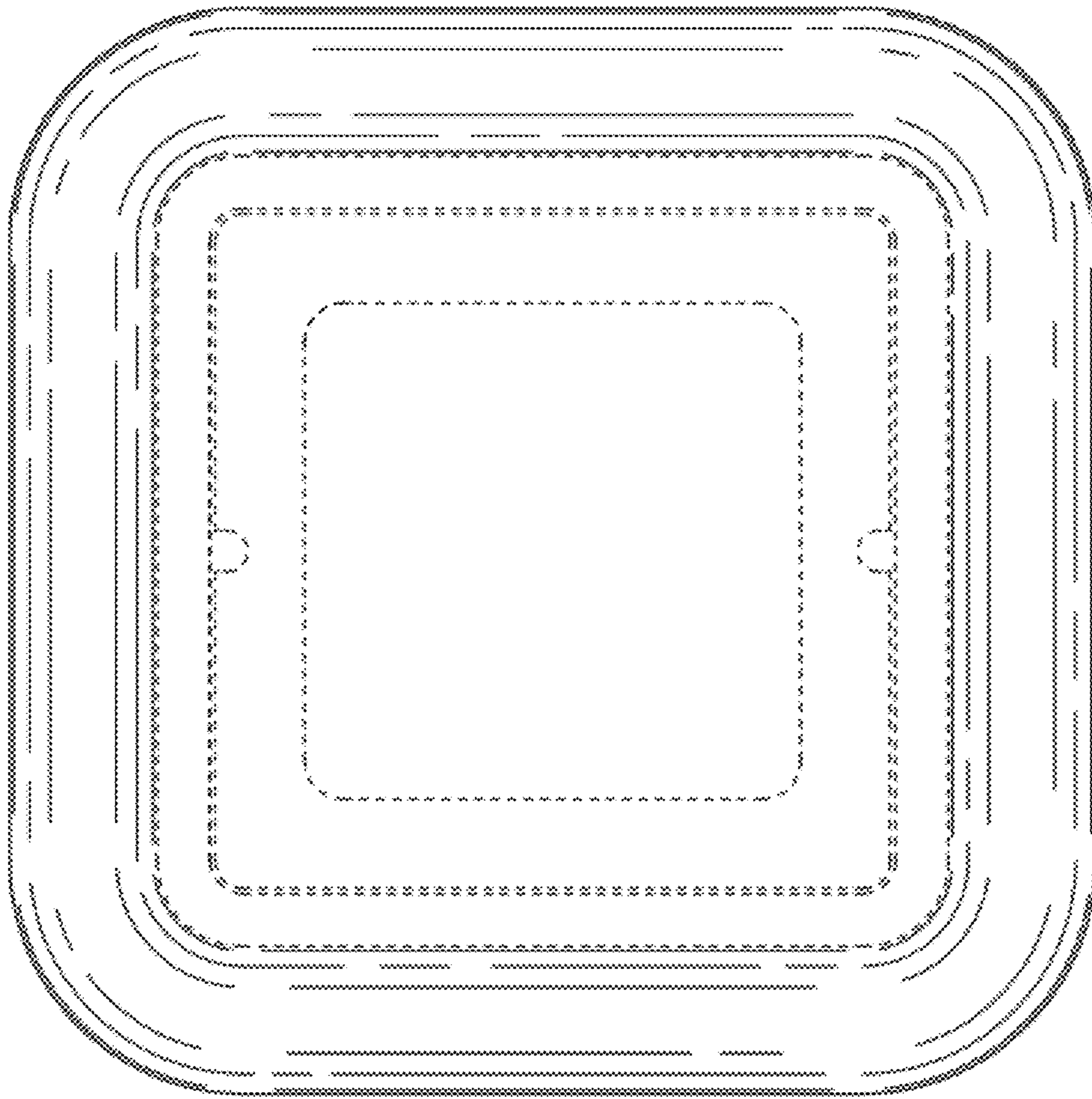




FIG. 7

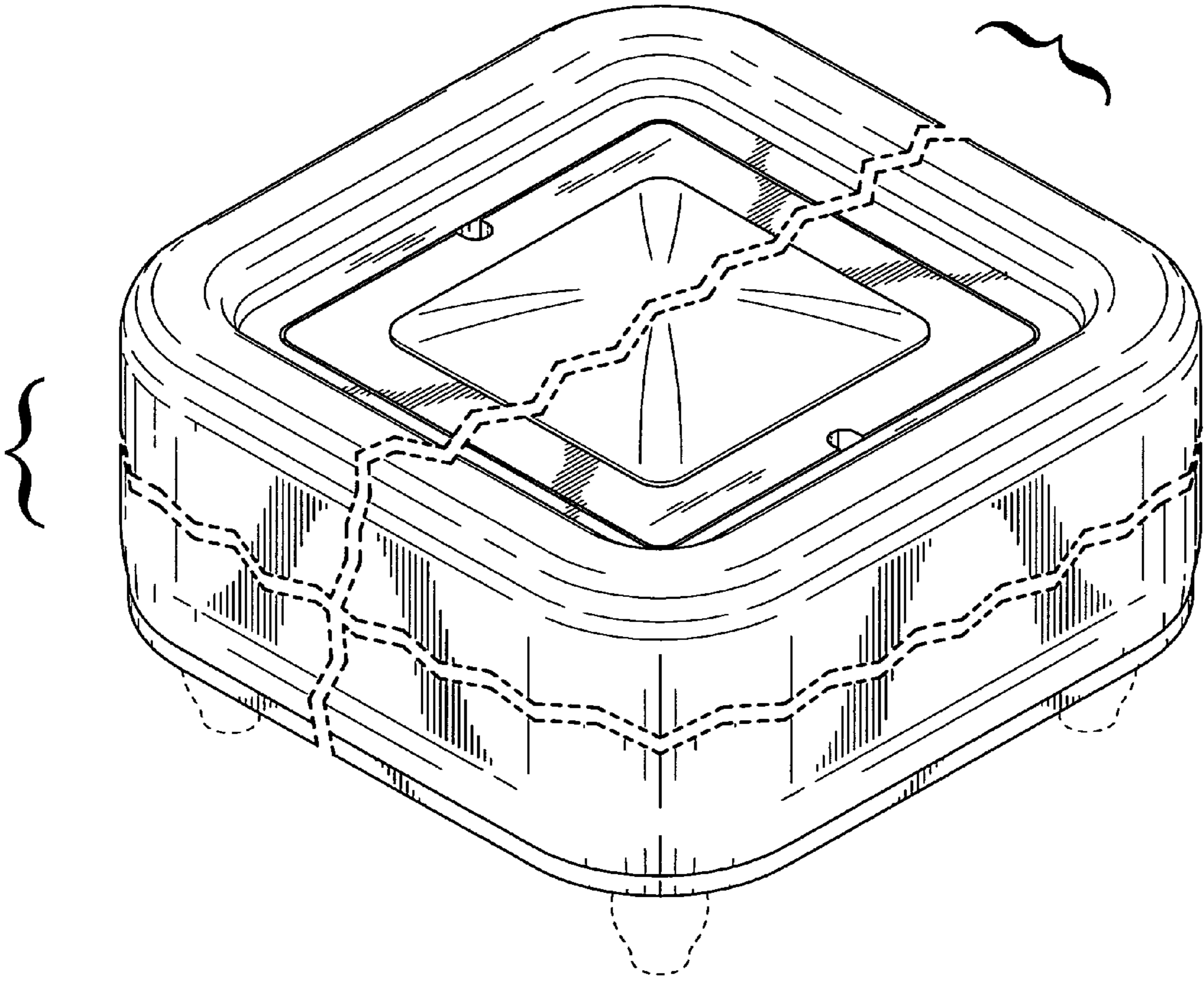




FIG. 8

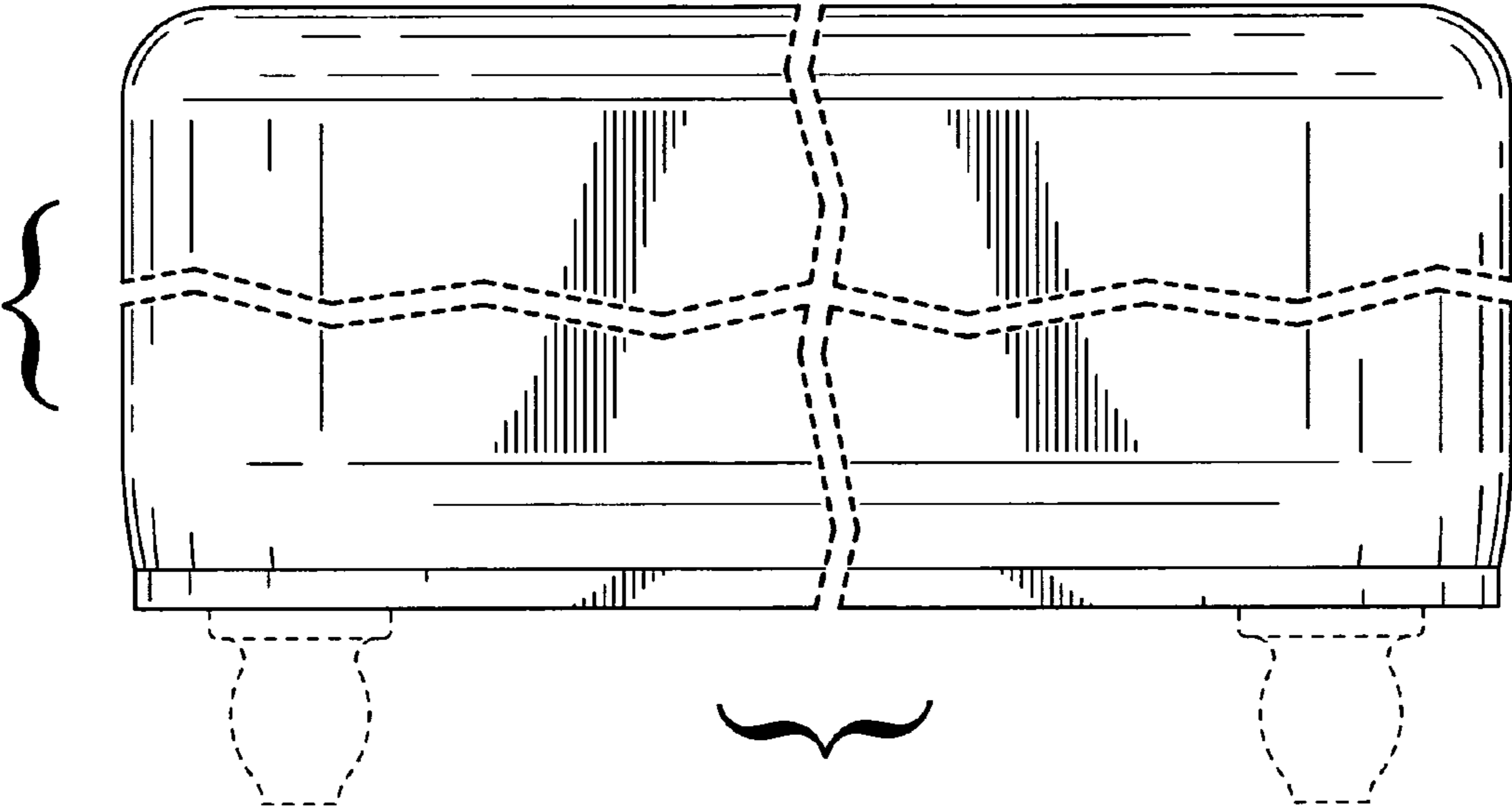


FIG. 9

