

US00D666839S

(12) **United States Design Patent**
Johnson et al.

(10) **Patent No.:** **US D666,839 S**

(45) **Date of Patent:** **** Sep. 11, 2012**

(54) **OTTOMAN**

D427,791 S * 7/2000 Peterson D6/349
D428,269 S * 7/2000 Peterson D6/349
D508,809 S * 8/2005 Palardis D6/597

(75) Inventors: **Cynthia Ellen Johnson**, Branchburg, NJ
(US); **Lisa Ann Santangelo**,
Branchburg, NJ (US)

* cited by examiner

Primary Examiner — Sandra Snapp

(73) Assignees: **Cynthia E. Johnson**, Branchburg, NJ
(US); **Lisa A. Santangelo**, Branchburg,
NJ (US)

(57) **CLAIM**

The ornamental design for an ottoman, as shown and described.

(**) Term: **14 Years**

DESCRIPTION

(21) Appl. No.: **29/403,374**

FIG. 1 is a front perspective view of a first embodiment of our design for an ottoman;

(22) Filed: **Oct. 5, 2011**

FIG. 2 is a front elevation view thereof, the rear being a mirror image of the front;

(51) **LOC (9) Cl.** **06-01**

FIG. 3 is a top plan view thereof;

(52) **U.S. Cl.** **D6/349**

FIG. 4 is a bottom plan view thereof;

(58) **Field of Classification Search** D6/335,
D6/340, 349–355, 495, 500–502; 297/16.1,
297/175, 187, 195.1, 423.1, 423.11, 423.14,
297/423.16, 461, 462

FIG. 5 is a front perspective view of a second embodiment of the design for an ottoman;

See application file for complete search history.

FIG. 6 is a top plan view thereof;

FIG. 7 is a front perspective view of a third embodiment of our design for an ottoman;

(56) **References Cited**

U.S. PATENT DOCUMENTS

2,552,693 A * 5/1951 Smith 297/462
2,612,942 A * 10/1952 Simjian 297/461
D234,477 S * 3/1975 Lockhardt D6/349
5,003,653 A * 4/1991 Mar 5/654
D360,664 S * 7/1995 Stone D21/671
5,634,223 A * 6/1997 Obermaier 5/654
D397,879 S * 9/1998 Hutton D6/349

FIG. 8 is a front elevation view thereof;

FIG. 9 is a front perspective view of a fourth embodiment of our design for an ottoman;

FIG. 10 is a front elevation view thereof; and,

FIG. 11 is a top plan view thereof.

The broken lines shown in the drawings are for illustrative purposes only and form no part of the claimed design.

The thick, broken away portions are understood to represent indefinite heights, lengths and/or diameters.

1 Claim, 11 Drawing Sheets

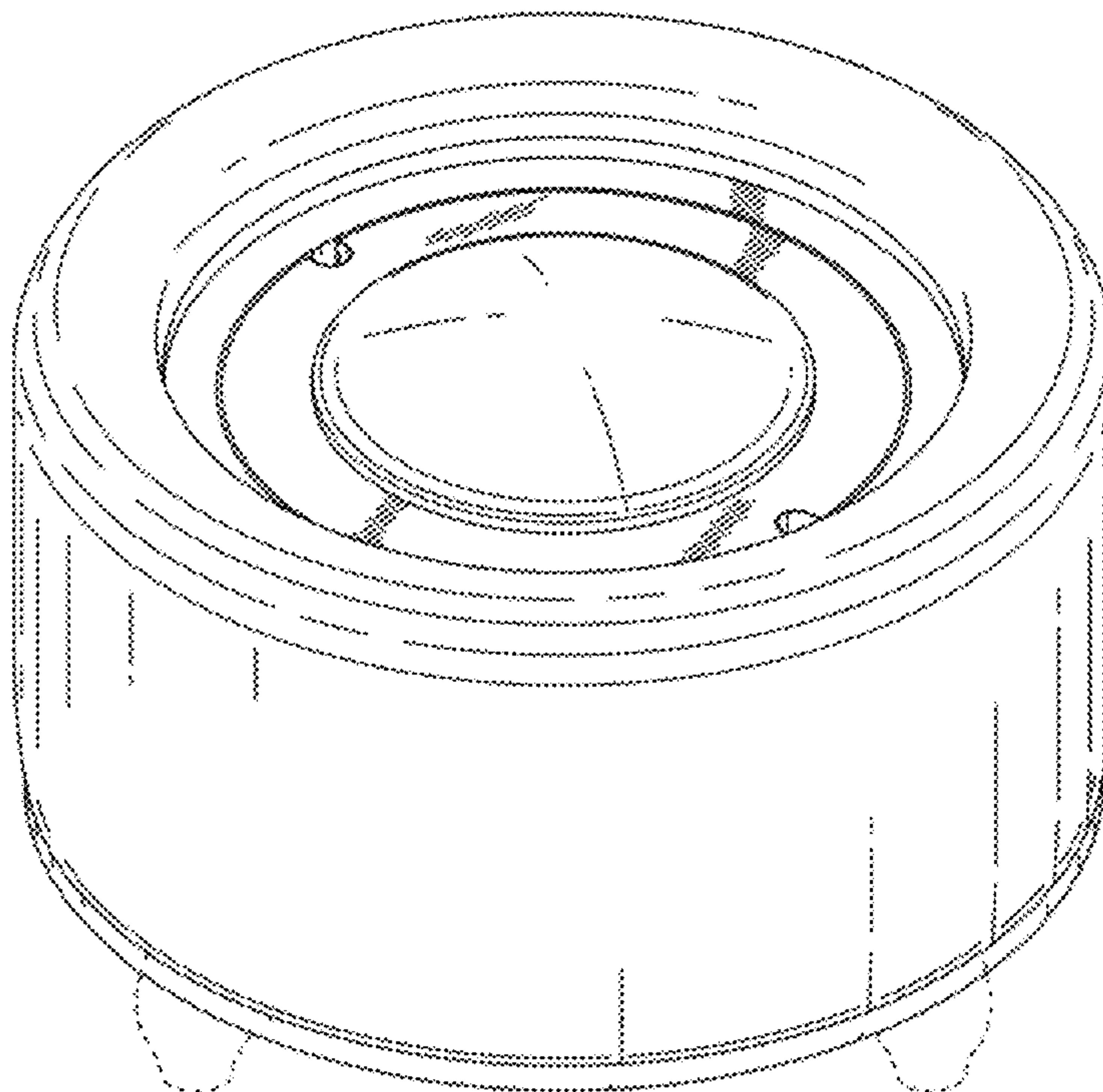


FIG. 1

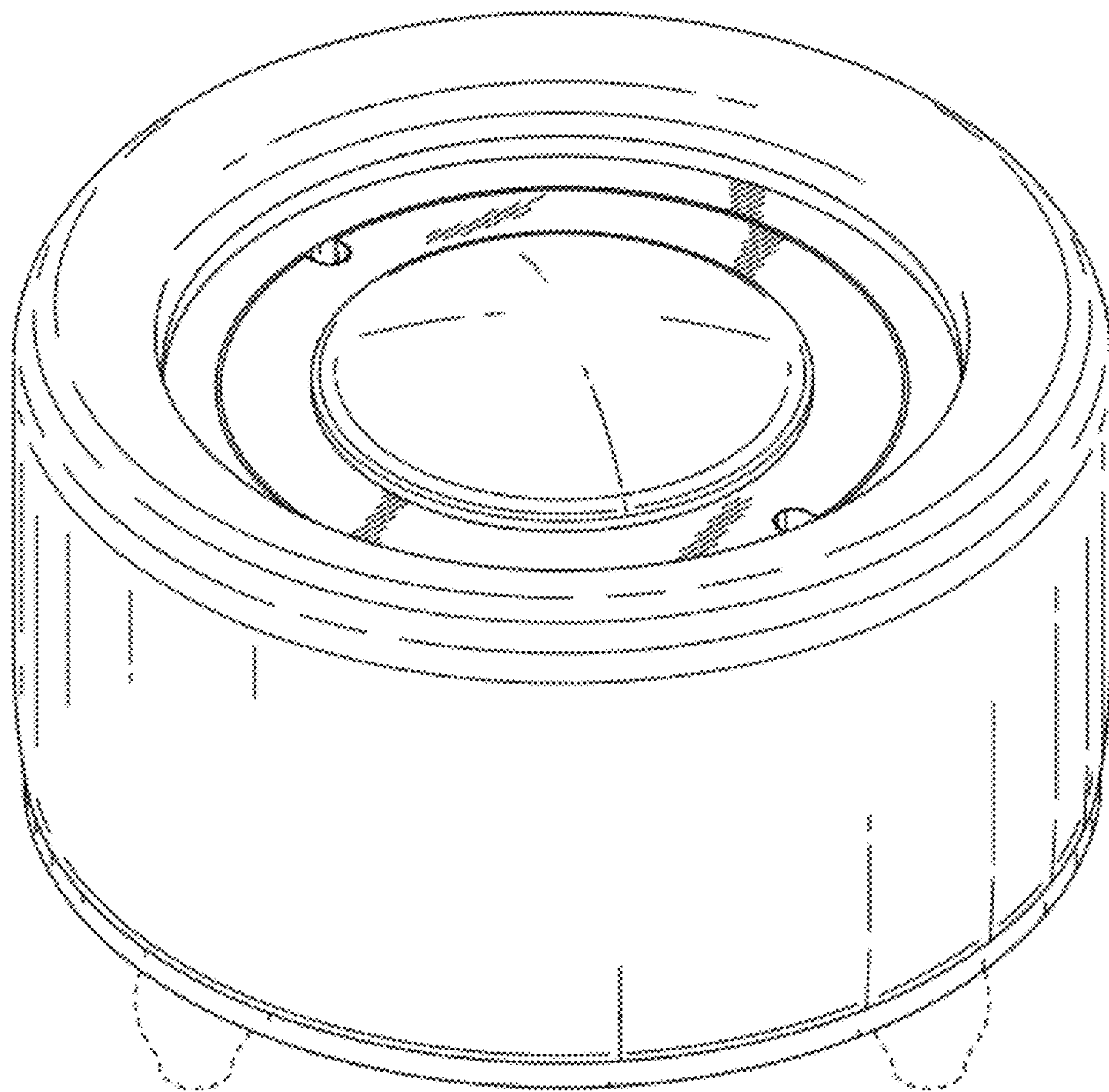


FIG. 2

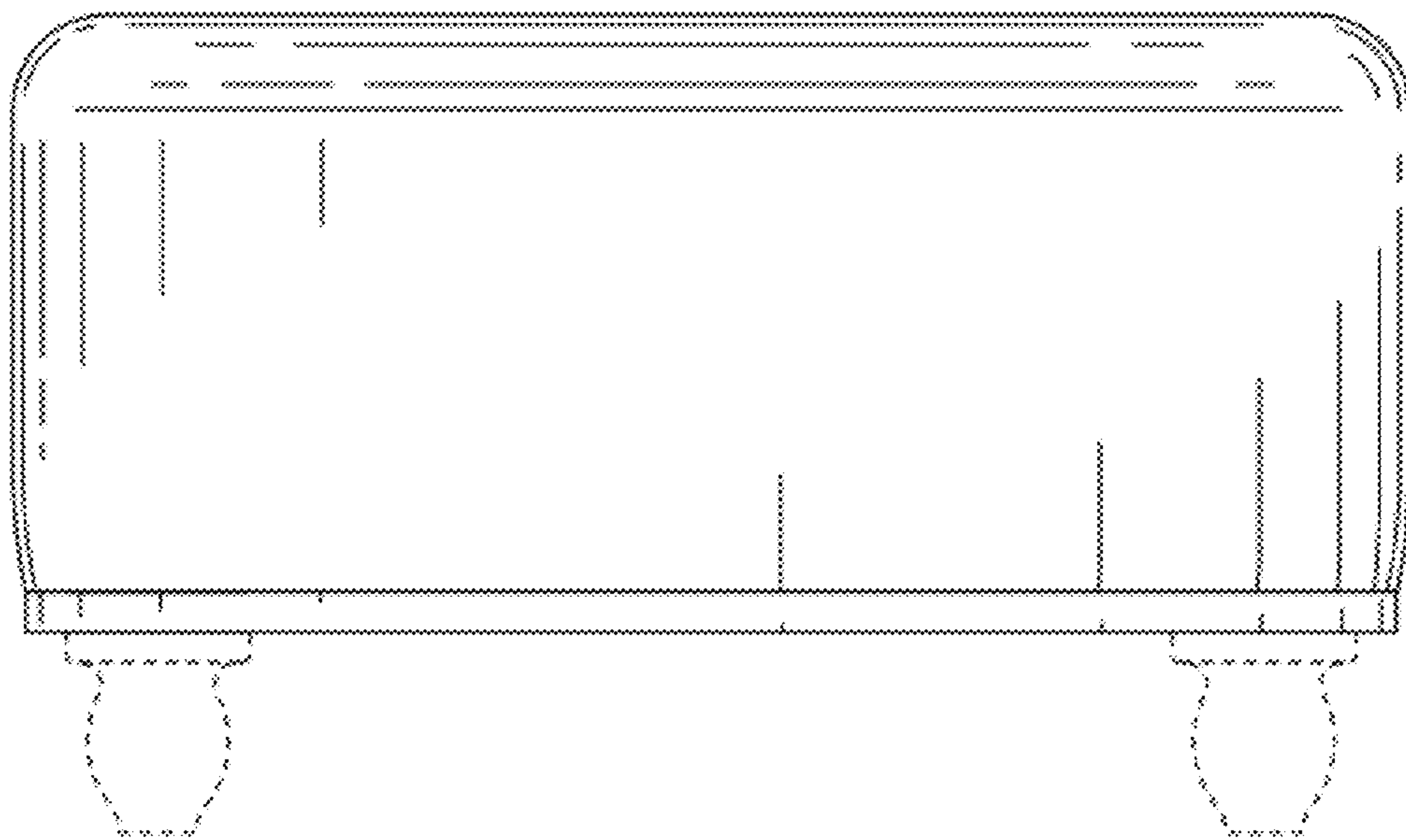


FIG. 3

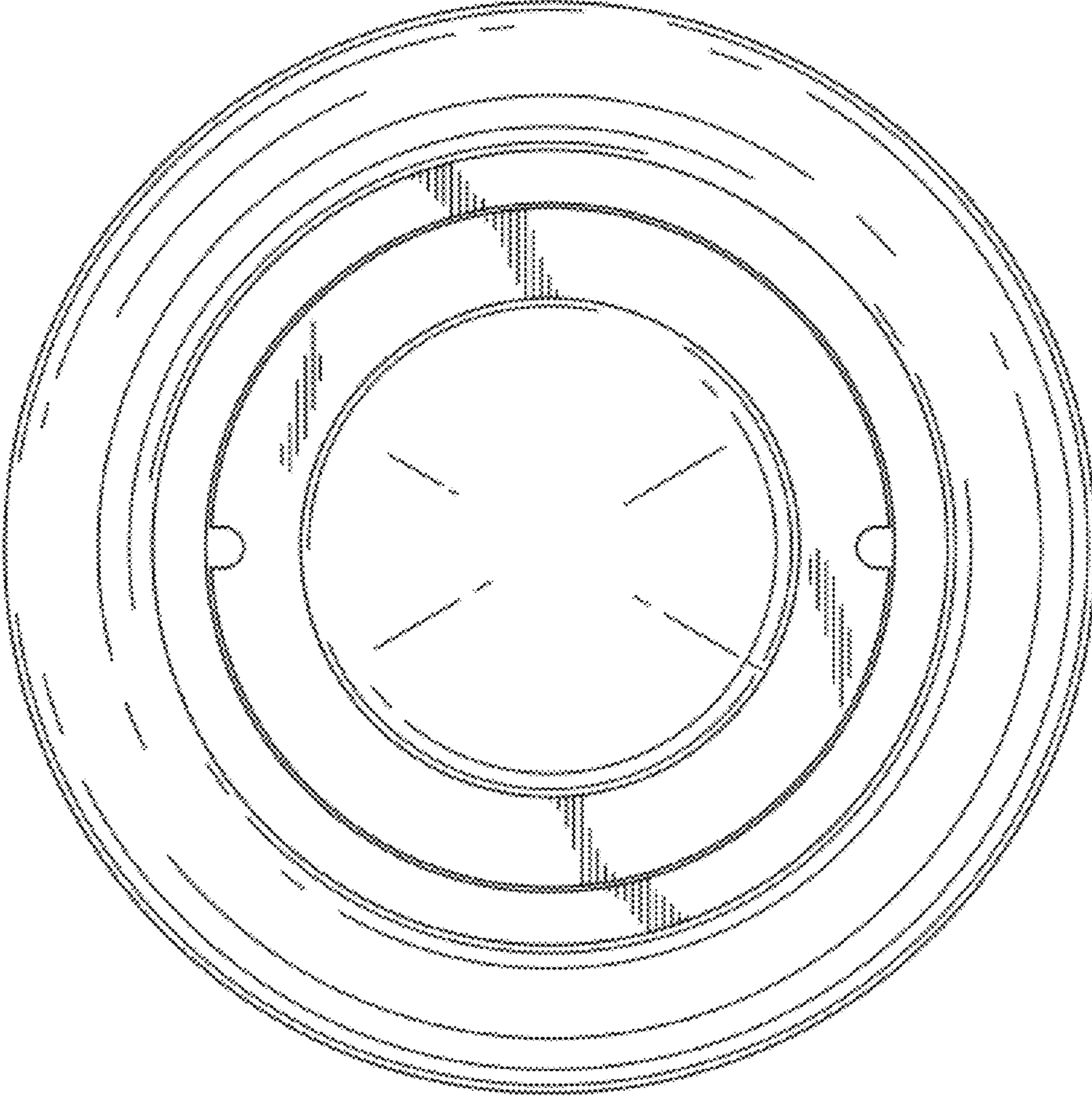


FIG. 4

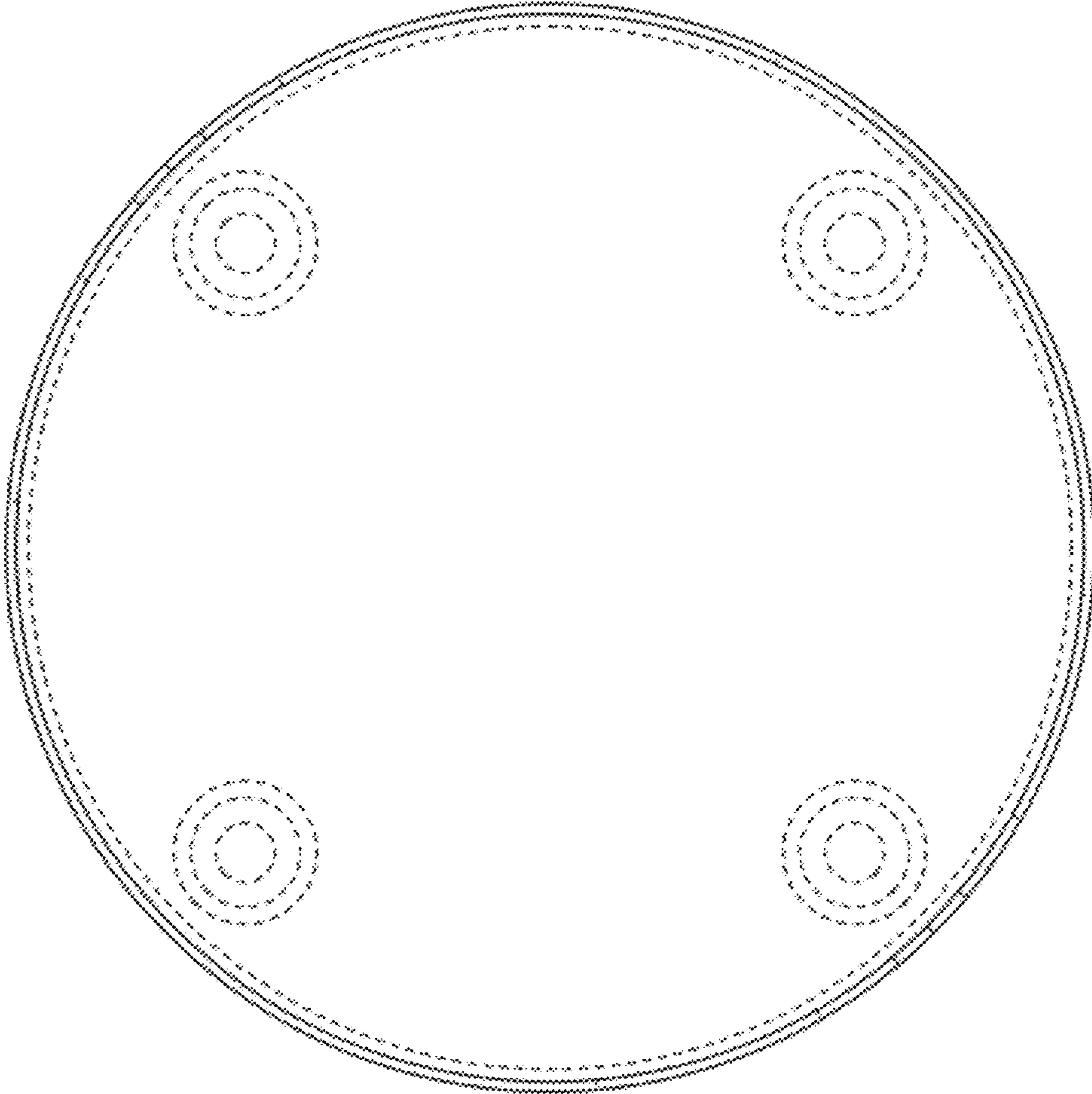


FIG. 5

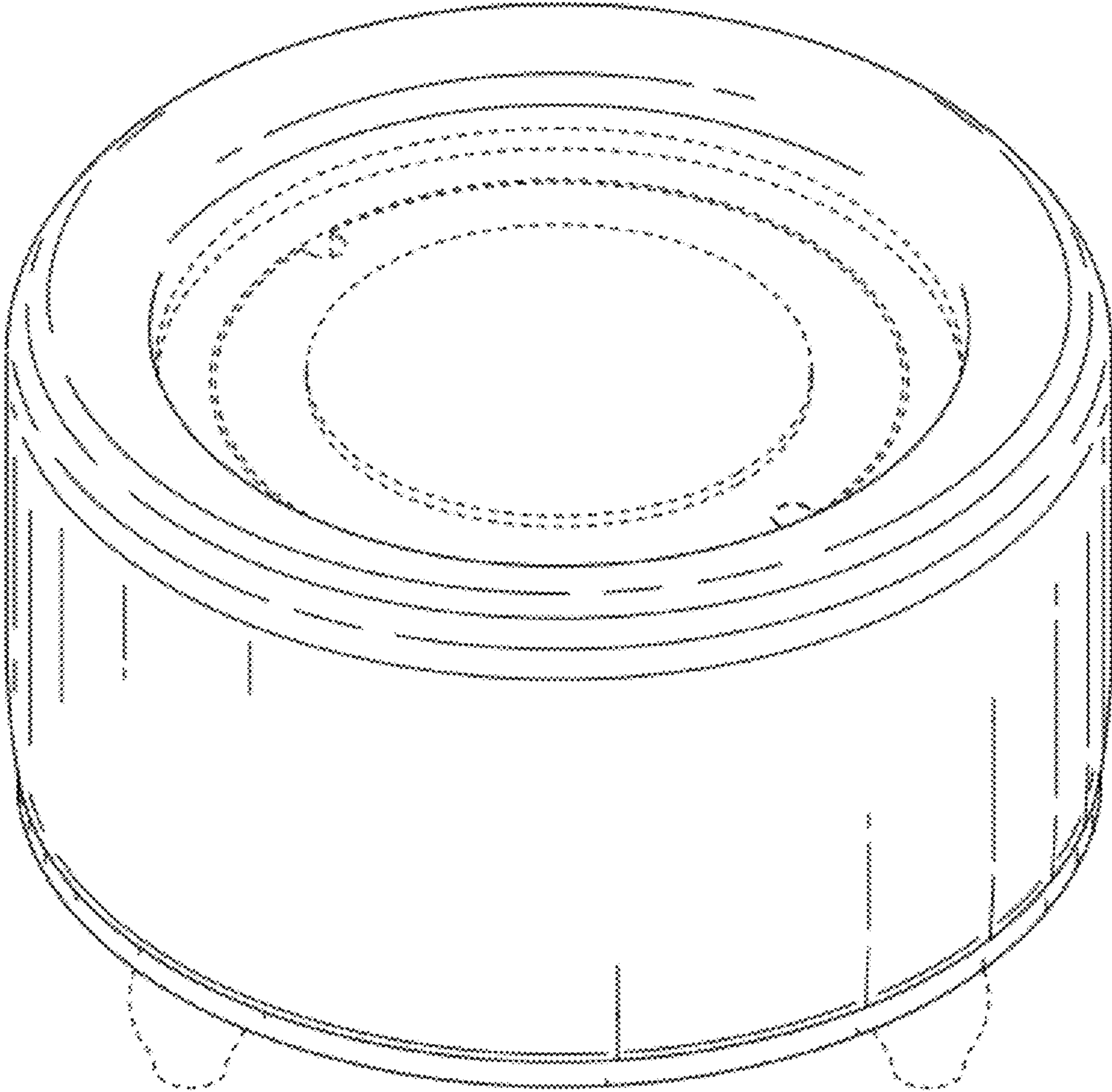


FIG. 6

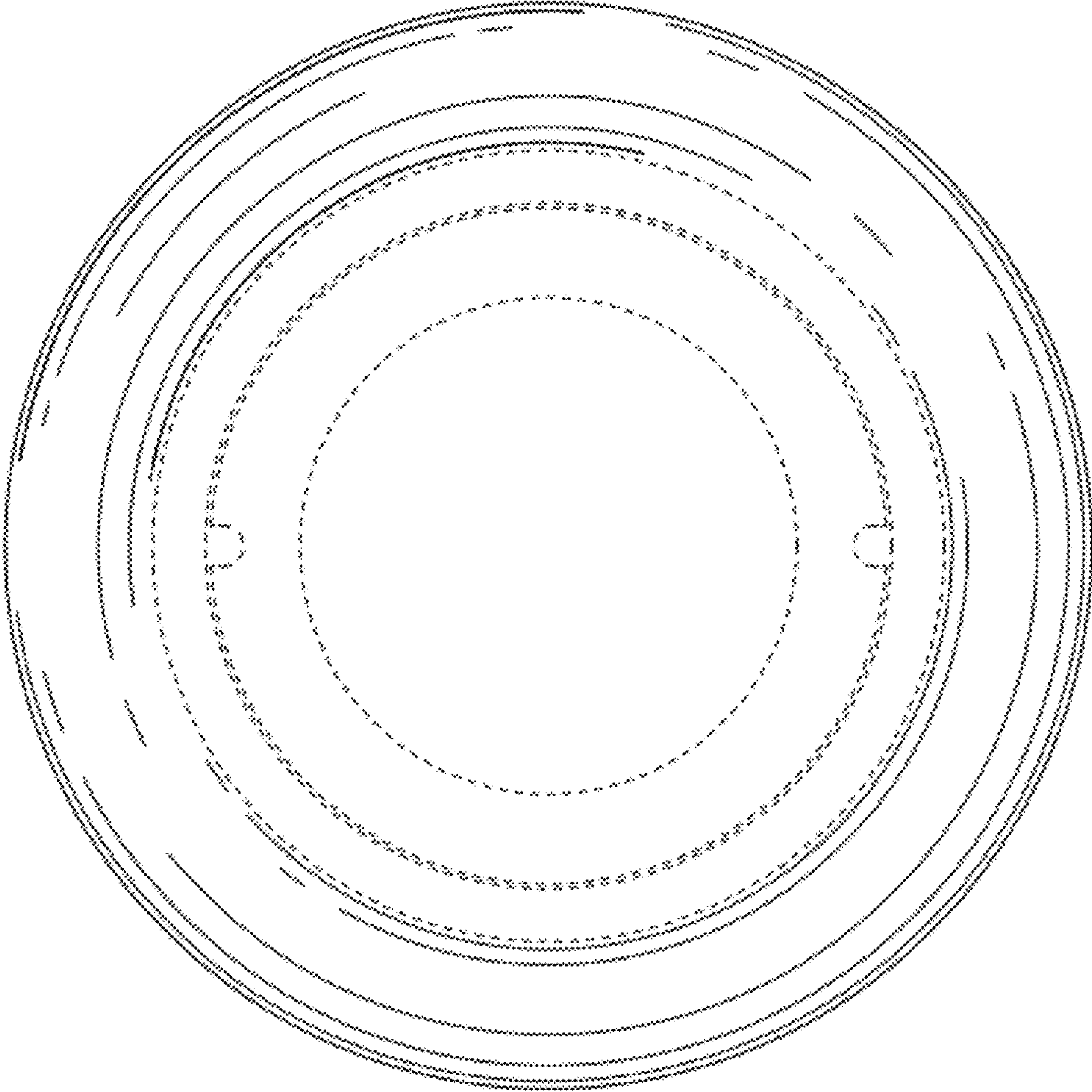


FIG. 7

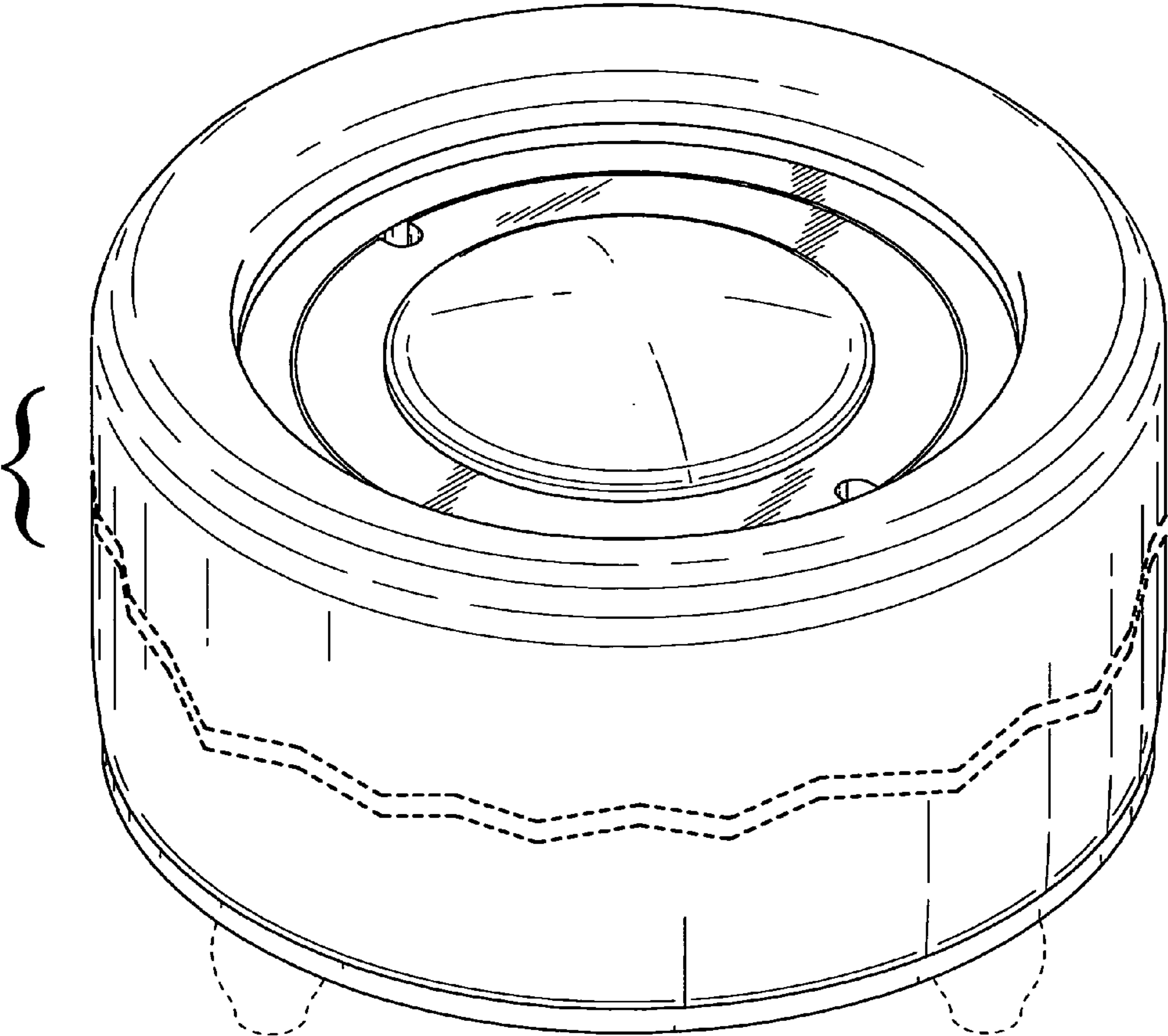


FIG. 8

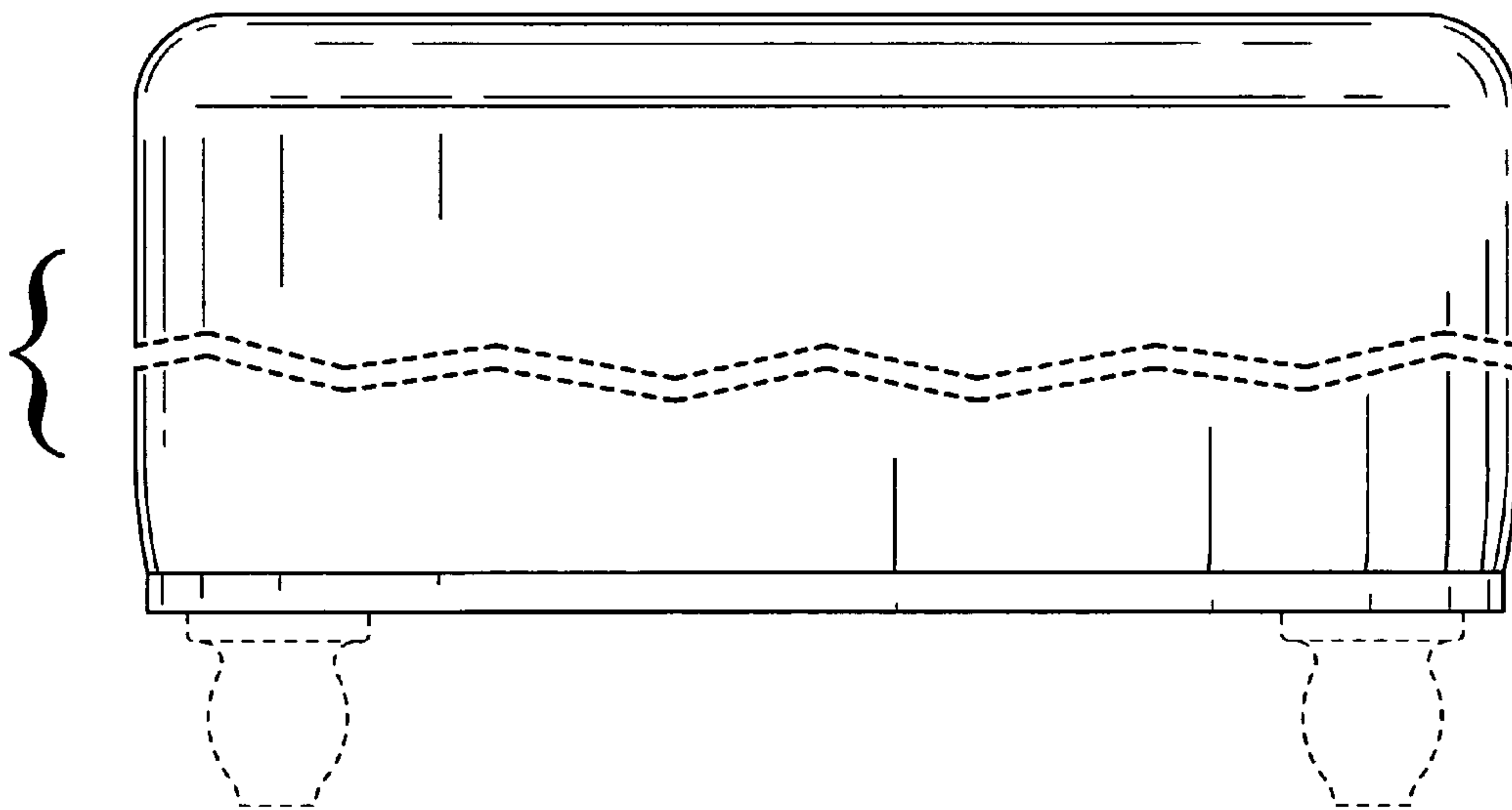


FIG. 9

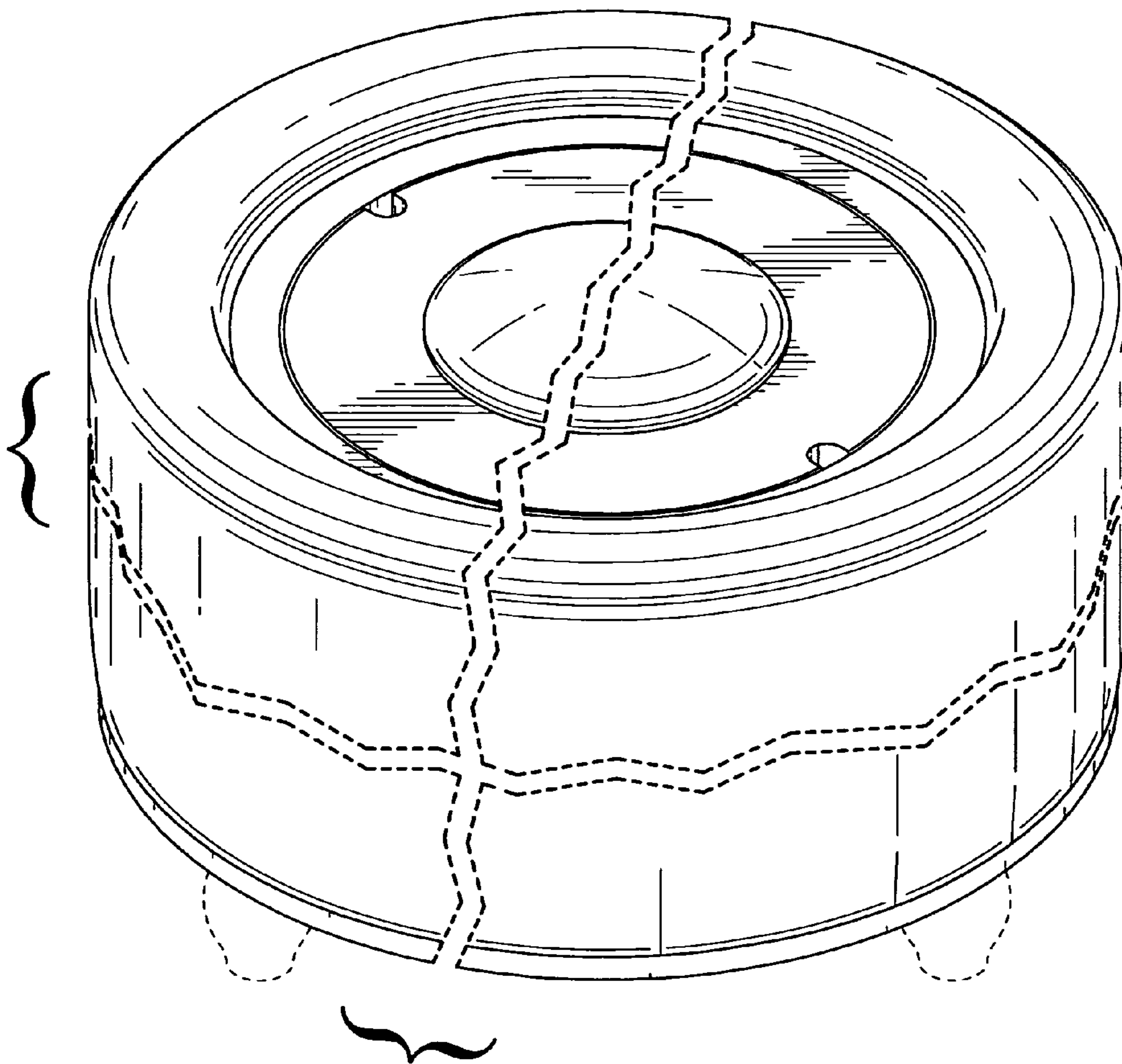


FIG. 10

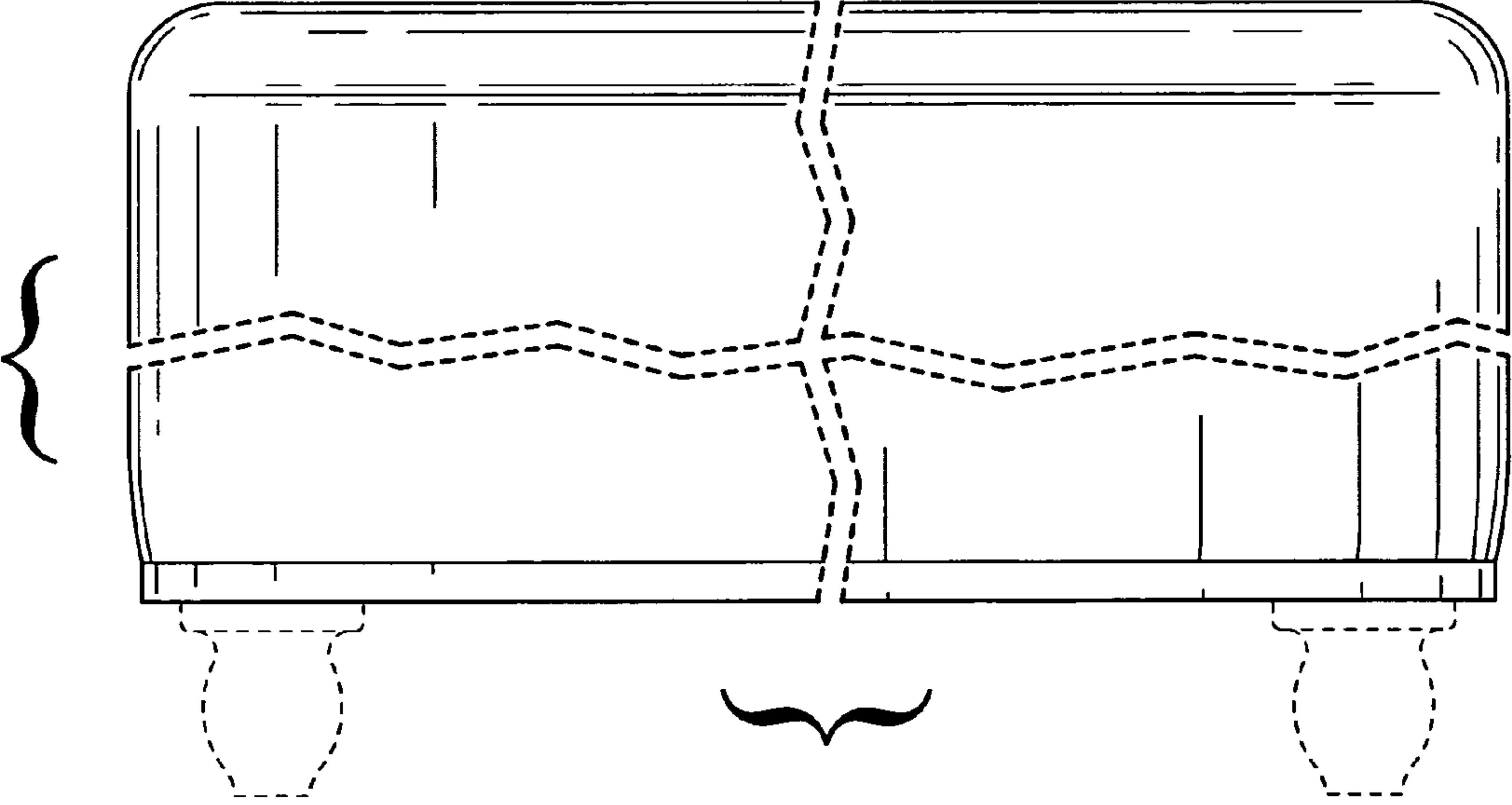


FIG. 11

