



US00D666836S

(12) **United States Design Patent**  
**Dobson, III**

(10) **Patent No.:** **US D666,836 S**  
(45) **Date of Patent:** **\*\* Sep. 11, 2012**

(54) **BROOM HOUSING ASSEMBLY**

(76) Inventor: **Eben W. Dobson, III**, Solana Beach, CA  
(US)

(\*\*) Term: **14 Years**

(21) Appl. No.: **29/399,726**

(22) Filed: **Aug. 17, 2011**

(51) **LOC (9) Cl.** ..... **04-02**

(52) **U.S. Cl.** ..... **D4/132**

(58) **Field of Classification Search** ..... D4/132,  
D4/135, 136, 199; D8/13; D32/50-52; 15/146,  
15/159.1, 160, 171, 175, 176.1  
See application file for complete search history.

(56) **References Cited**

**U.S. PATENT DOCUMENTS**

D262,671 S *	1/1982	Erickson	.....	D4/136
D270,971 S *	10/1983	Stevens et al.	.....	D4/132
5,001,802 A *	3/1991	Humphrey	.....	15/159.1
D373,024 S *	8/1996	Shepherd	.....	D4/132
D397,875 S *	9/1998	Barrett	.....	D4/132
D409,461 S *	5/1999	Kiefer	.....	D8/13

**FOREIGN PATENT DOCUMENTS**

CN 3422273 \* 2/2005

\* cited by examiner

*Primary Examiner* — Melanie H Tung

*Assistant Examiner* — Lavone D Tabor

(74) *Attorney, Agent, or Firm* — Roeder & Broder LLP;  
James P. Broder

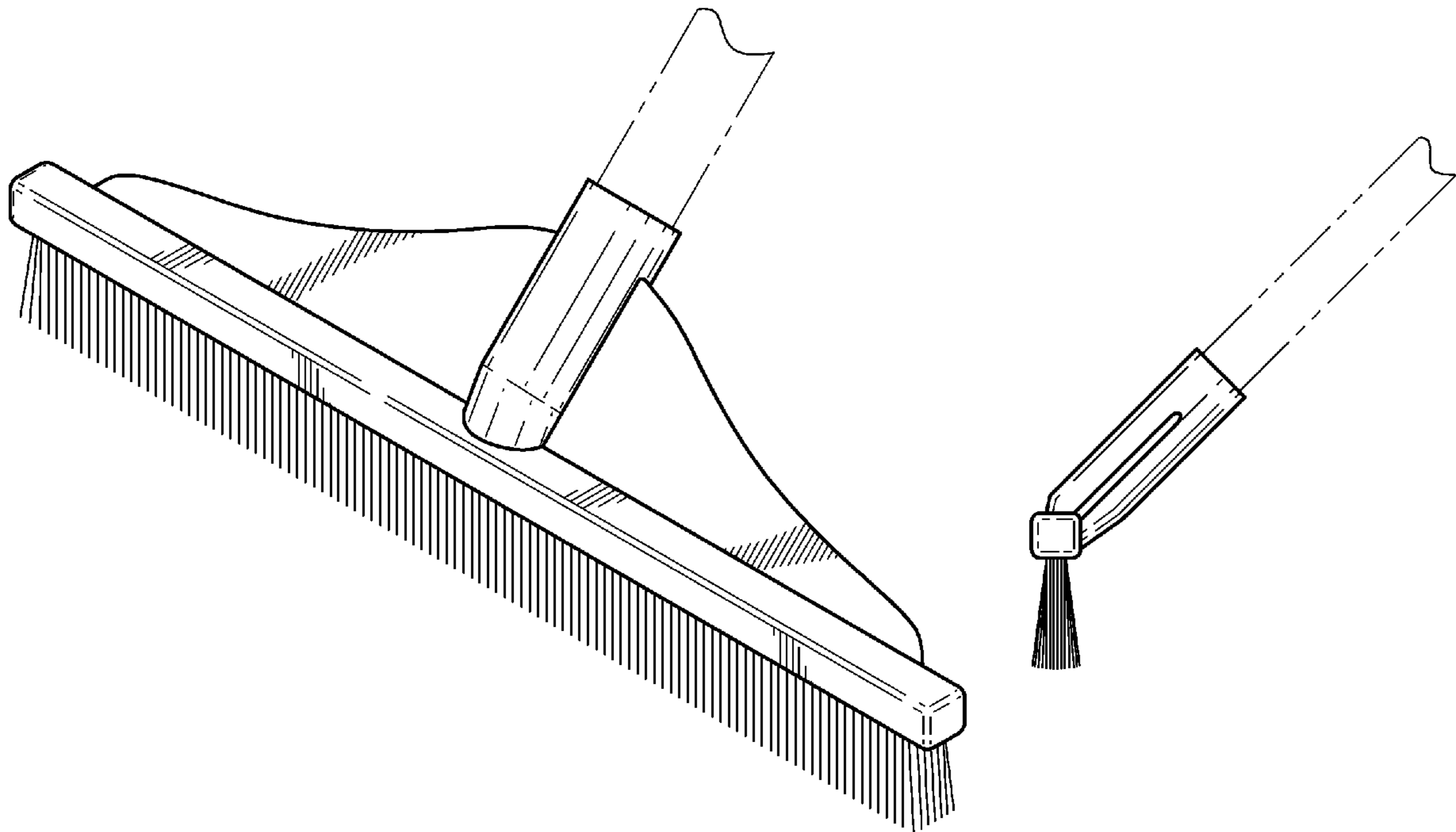
(57) **CLAIM**

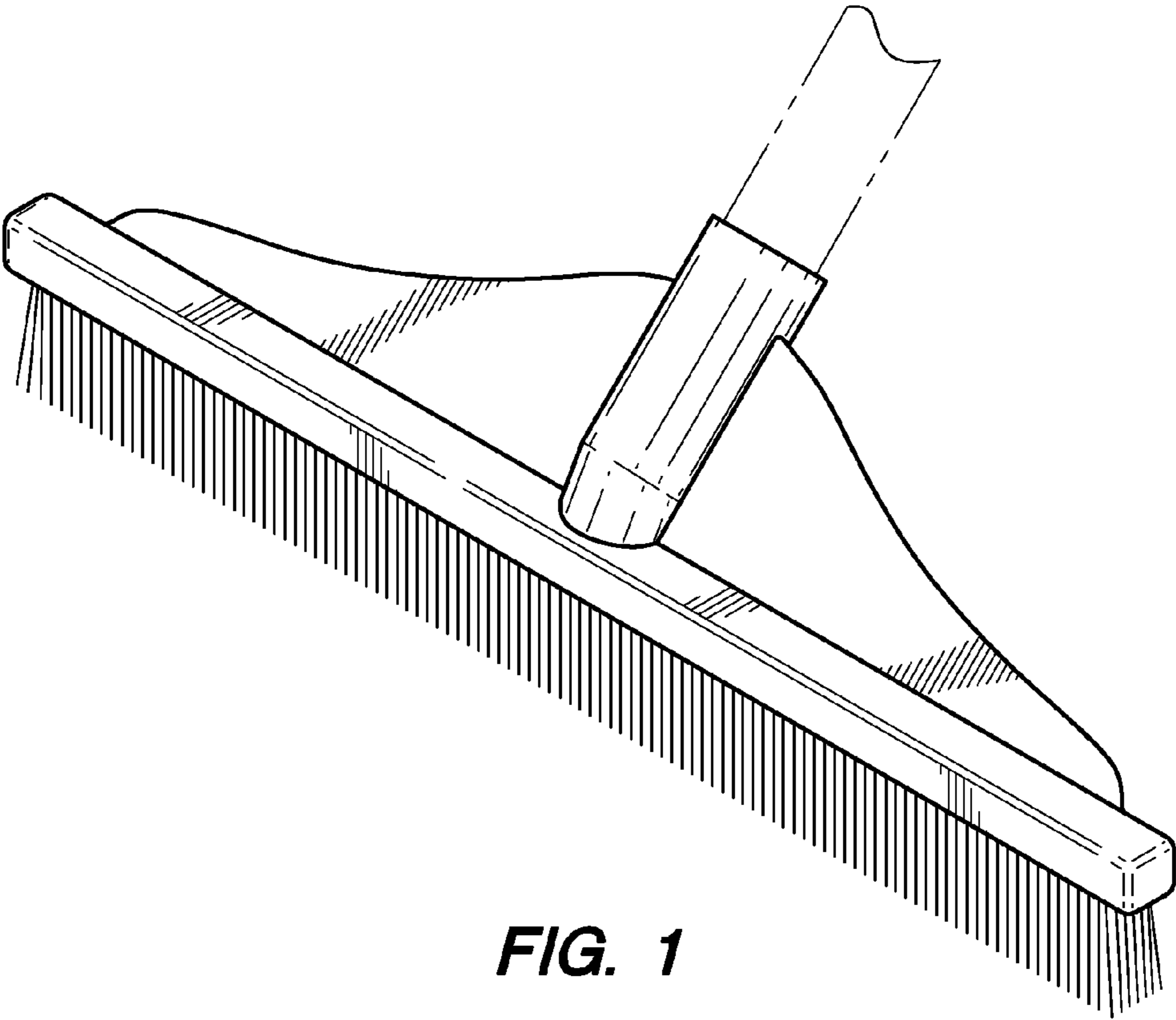
The ornamental design for a broom housing assembly, as shown and described.

**DESCRIPTION**

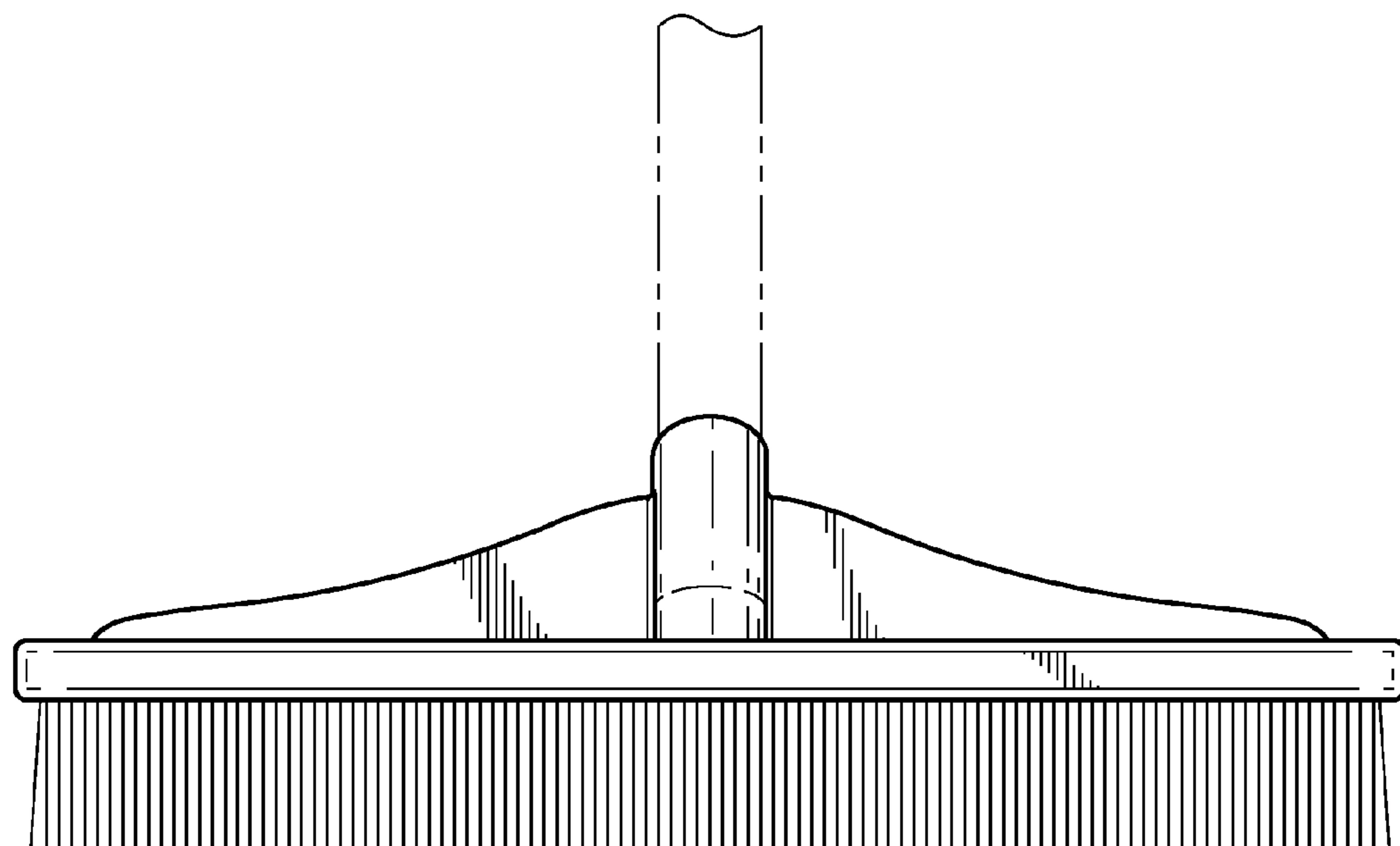
FIG. 1 is a top perspective view of a broom housing assembly, and a handle shown in phantom; FIG. 2 is a front elevation view of the broom housing assembly illustrated in FIG. 1, with the handle shown in phantom; FIG. 3 is a rear elevation view of the broom housing assembly illustrated in FIG. 1, with the handle shown in phantom; FIG. 4 is a top view of the broom housing assembly illustrated in FIG. 1, with the handle shown in phantom; FIG. 5 is a bottom view of the broom housing assembly illustrated in FIG. 1, with the handle shown in phantom; FIG. 6 is a left end view of the broom housing assembly illustrated in FIG. 1, with the handle shown in phantom; and, FIG. 7 is a right end view of the broom housing assembly illustrated in FIG. 1, with the handle shown in phantom. The broken line showing of a handle illustrates environmental structure that forms no part of the claimed design. The bristles, which are understood to be closely packed, are partially shown for ease of illustration.

**1 Claim, 4 Drawing Sheets**

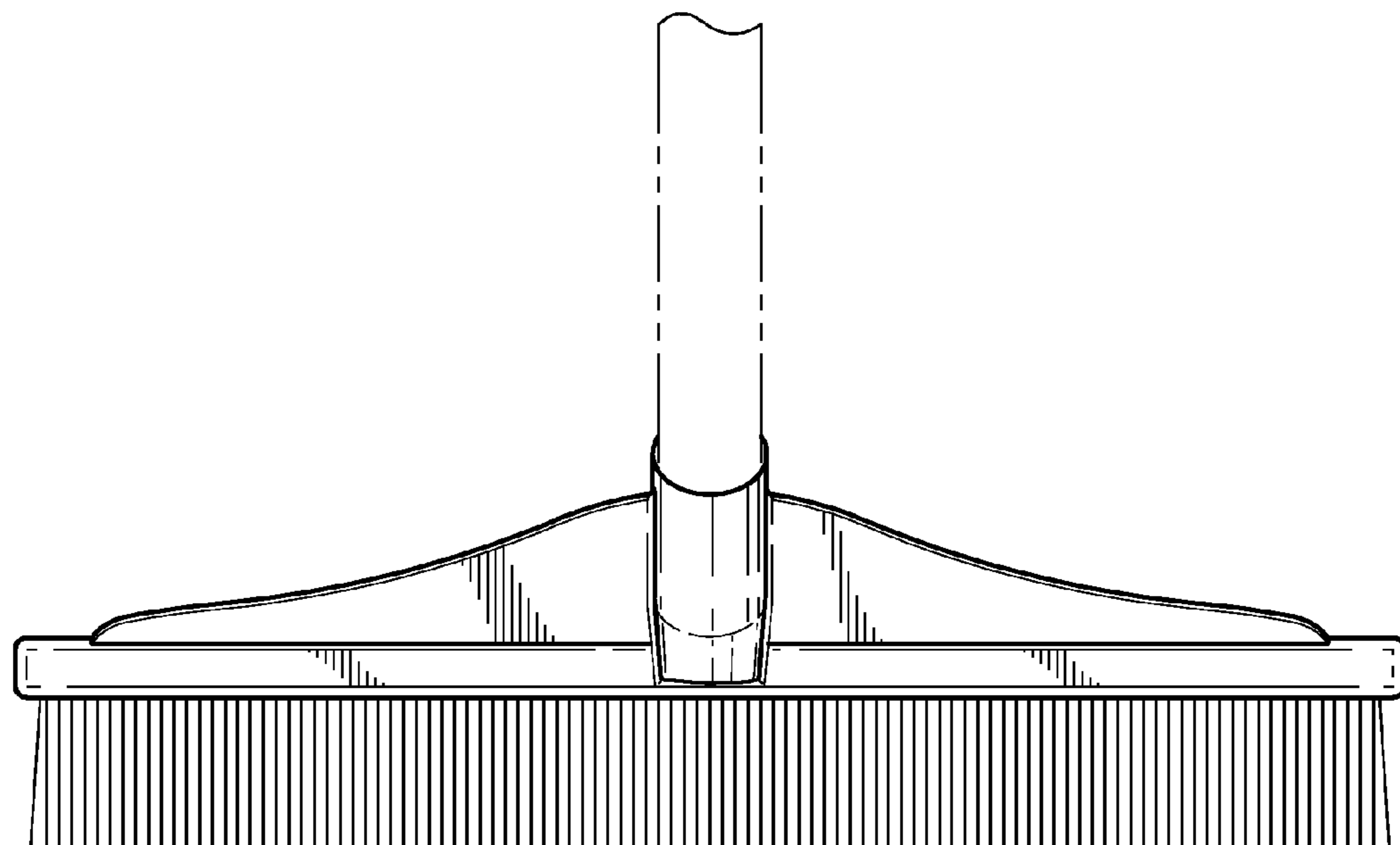




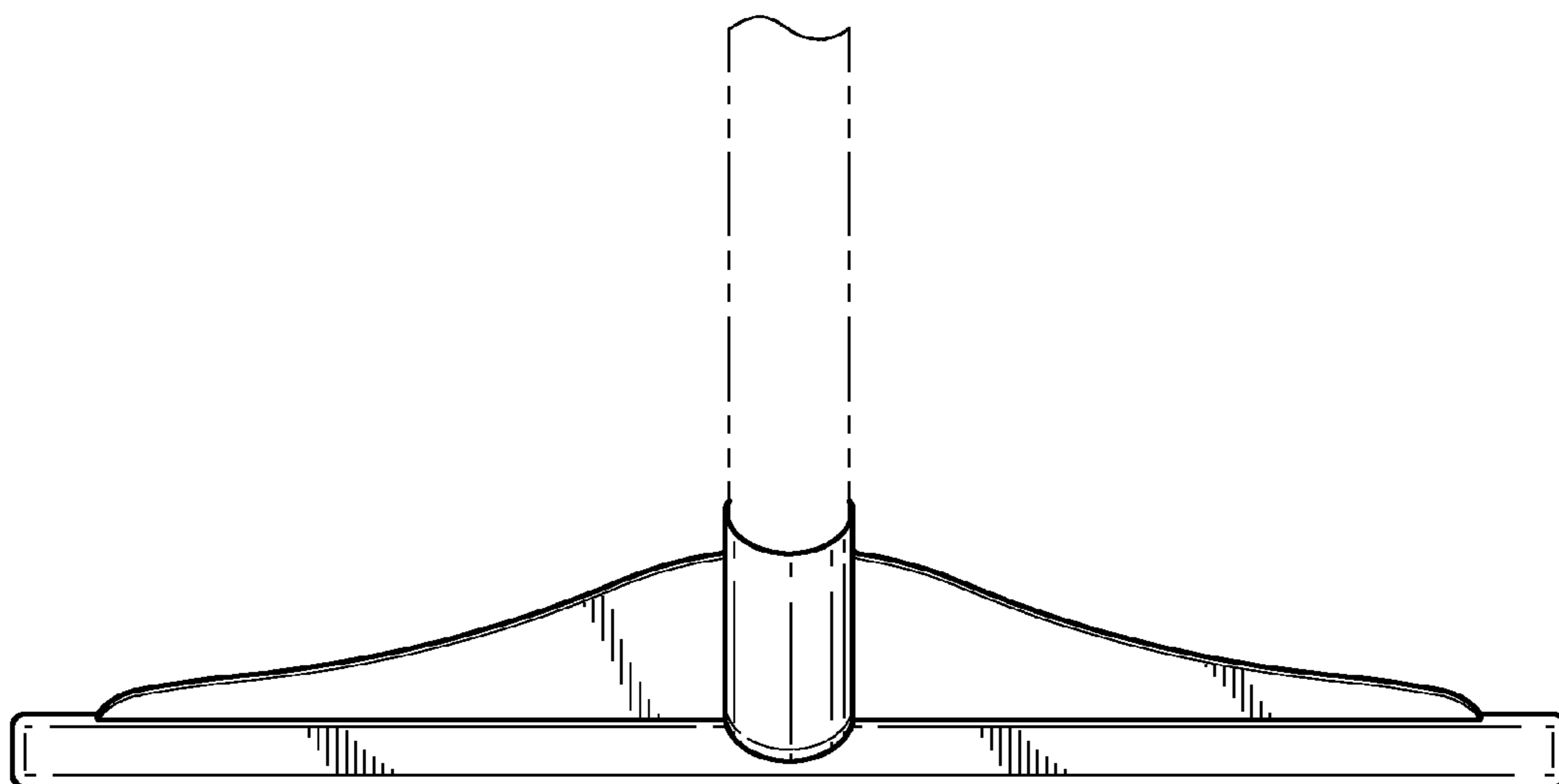
**FIG. 1**



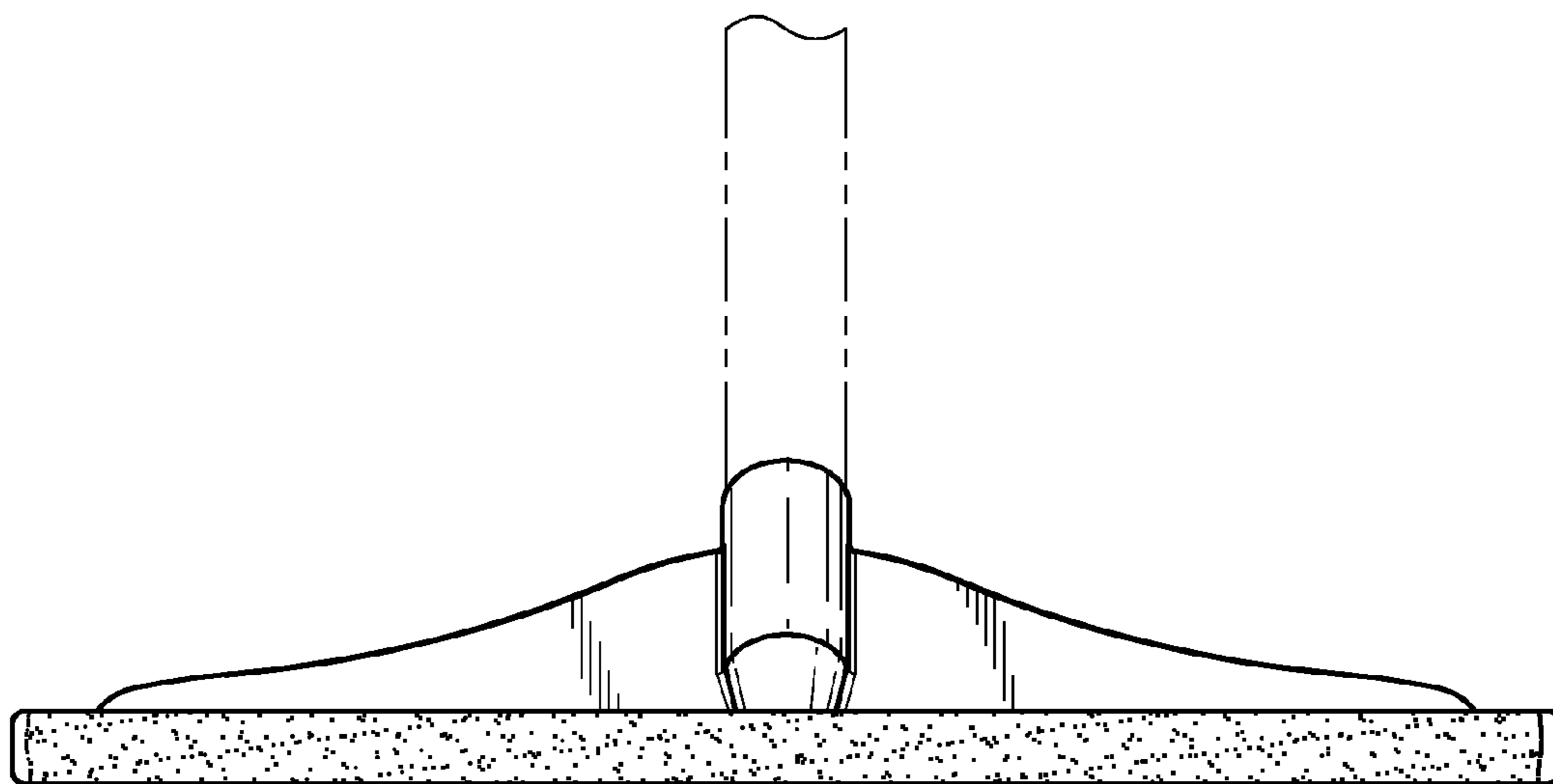
**FIG. 2**



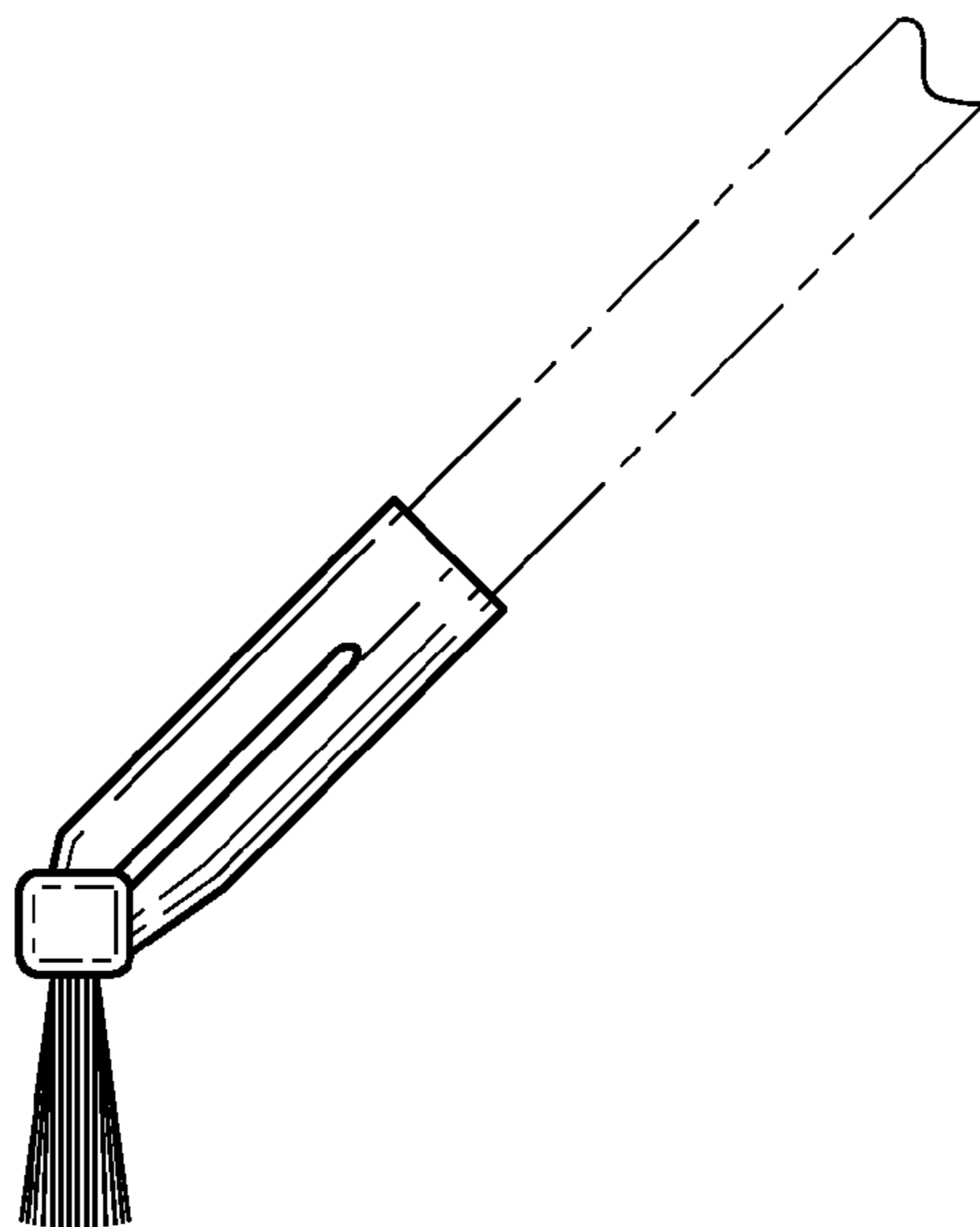
**FIG. 3**



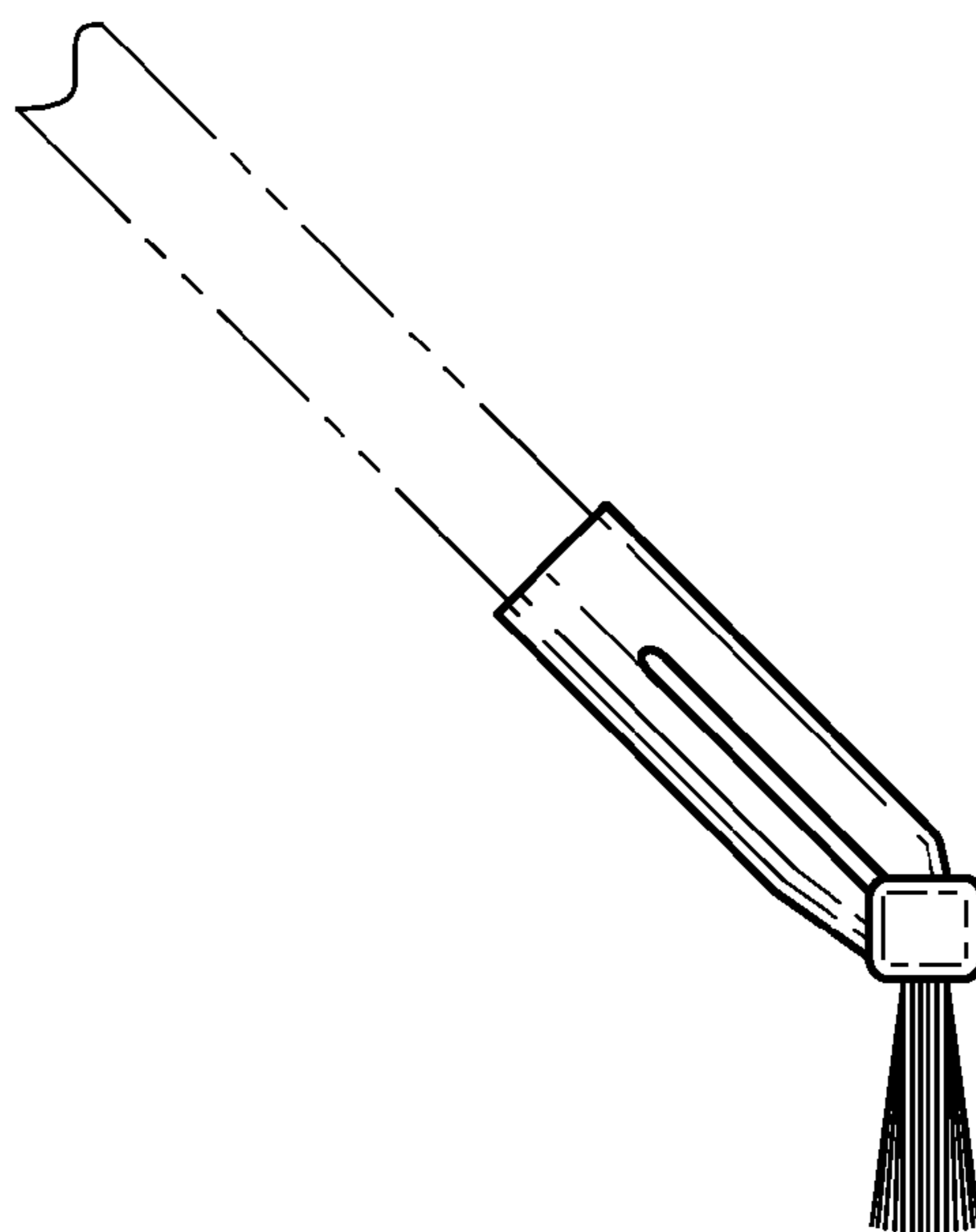
**FIG. 4**



**FIG. 5**



**FIG. 6**



**FIG. 7**