



US00D666831S

(12) **United States Design Patent**
Kinsky et al.

(10) **Patent No.:** **US D666,831 S**

(45) **Date of Patent:** **** Sep. 11, 2012**

(54) **TELESCOPING HANDLE**

(75) Inventors: **Terrence P. Kinsky**, Alpharetta, GA (US); **Matthew G. Williams**, Lighthouse Point, FL (US)

(73) Assignee: **LF Centennial Limited**, Tortola (VG)

(**) Term: **14 Years**

(21) Appl. No.: **29/383,256**

(22) Filed: **Jan. 14, 2011**

(51) **LOC (9) Cl.** **03-01**

(52) **U.S. Cl.** **D3/318**

(58) **Field of Classification Search** D3/318,
D3/281, 282; 190/18 A, 113, 115, 117
See application file for complete search history.

(56) **References Cited**

U.S. PATENT DOCUMENTS

D431,902	S *	10/2000	Mellin	D3/203.1
6,176,357	B1 *	1/2001	Kuo	190/18 A
6,338,400	B1 *	1/2002	Wu	190/39
6,575,274	B1 *	6/2003	Huang	190/115
D488,299	S *	4/2004	Nykoluk	D3/318
6,874,604	B2 *	4/2005	Miller et al.	190/39
D505,789	S *	6/2005	Nykoluk	D3/318
D572,905	S *	7/2008	Wu	D3/318
D591,511	S *	5/2009	Wu	D3/318
D607,644	S *	1/2010	Wu	D3/318
D634,538	S *	3/2011	Dumas	D3/203.5
8,037,983	B2 *	10/2011	Leung	190/18 A

* cited by examiner

Primary Examiner — Holly Baynham

(74) *Attorney, Agent, or Firm* — Duane Morris LLP; J. Rodman Steele, Jr.; Gregory M. Lefkowitz

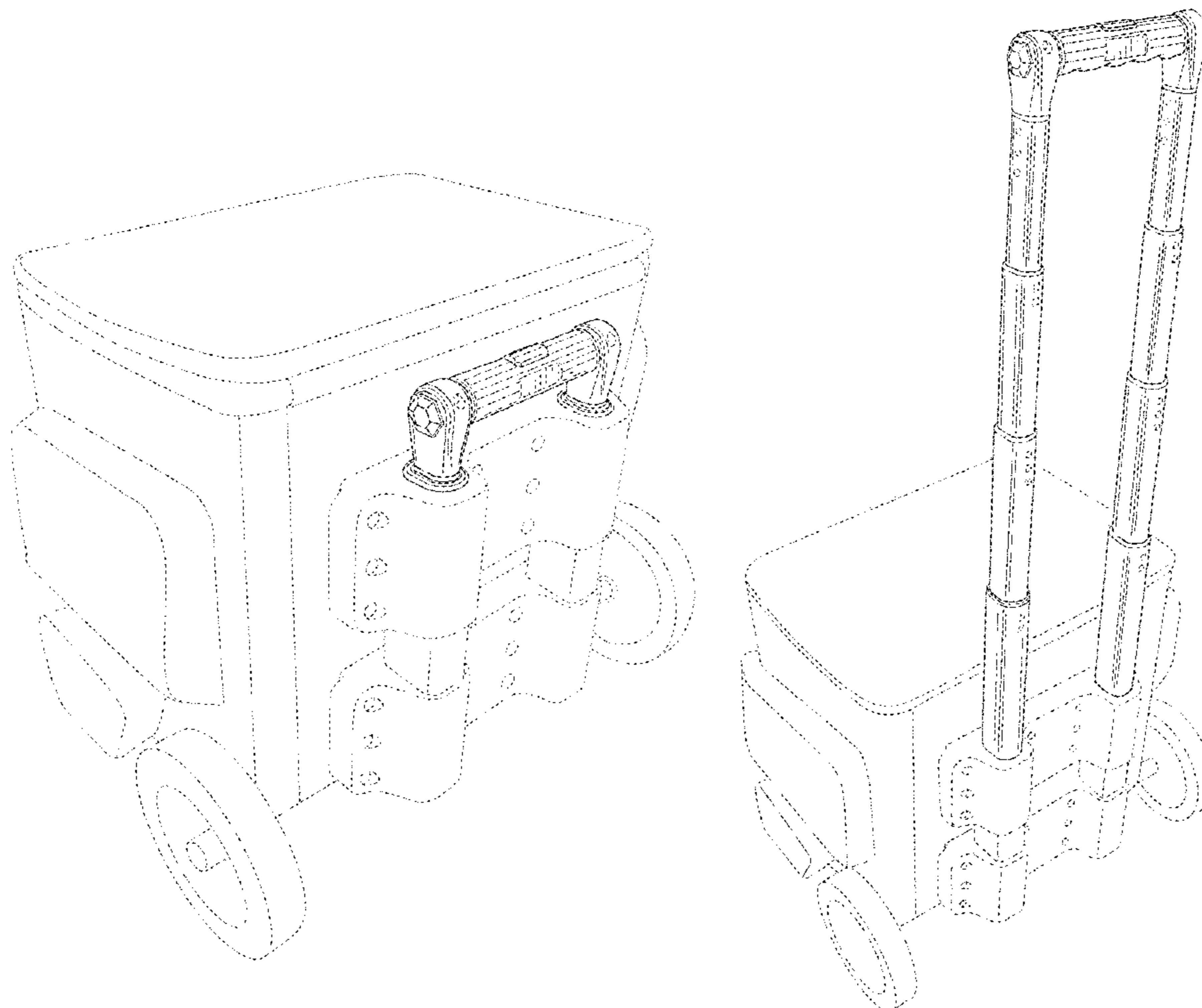
(57) **CLAIM**

The ornamental design for a telescoping handle, as shown and described.

DESCRIPTION

FIG. 1 is a perspective view of my ornamental design; FIG. 2 is a front elevation view of the ornamental design of FIG. 1; FIG. 3 is a rear elevation view of the ornamental design of FIG. 1; FIG. 4 is a right view of the ornamental design of FIG. 1; FIG. 5 is a left view of the ornamental design of FIG. 1; FIG. 6 is a top view of the ornamental design of FIG. 1; FIG. 7 is a bottom view of the ornamental design of FIG. 1; FIG. 8 is a perspective view of my ornamental design in a raised position; FIG. 9 is a front elevation view of the ornamental design of FIG. 8; FIG. 10 is a rear elevation view of the ornamental design of FIG. 8; FIG. 11 is a right view of the ornamental design of FIG. 8; FIG. 12 is a left view of the ornamental design of FIG. 8; FIG. 13 is a top view of the ornamental design of FIG. 8; and, FIG. 14 is a bottom view the ornamental design of FIG. 8. The broken lines showing a portion of a bag is included for purposes of illustrating environment and forms no part of the claimed design.

1 Claim, 14 Drawing Sheets



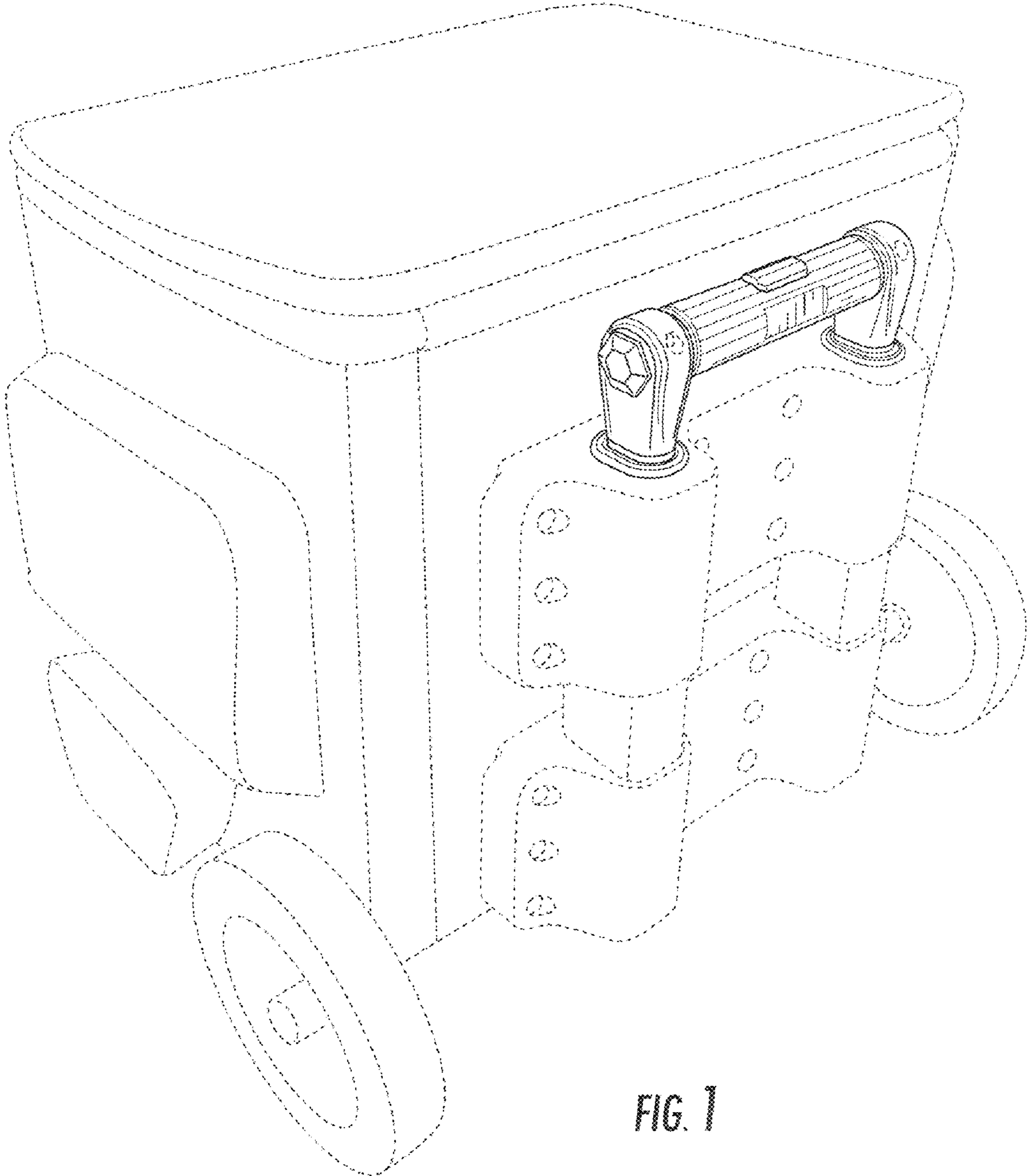


FIG. 1

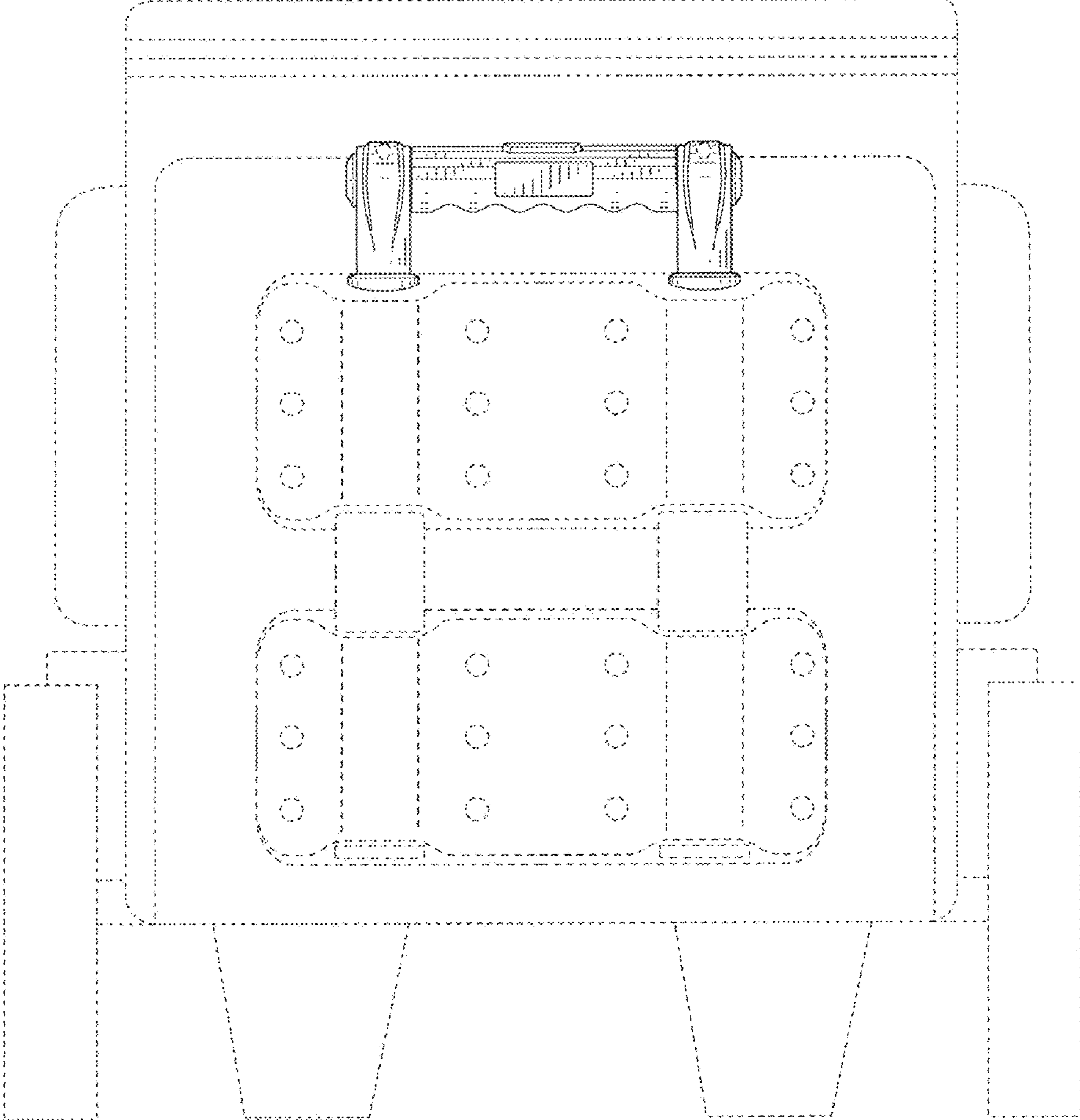


FIG. 2

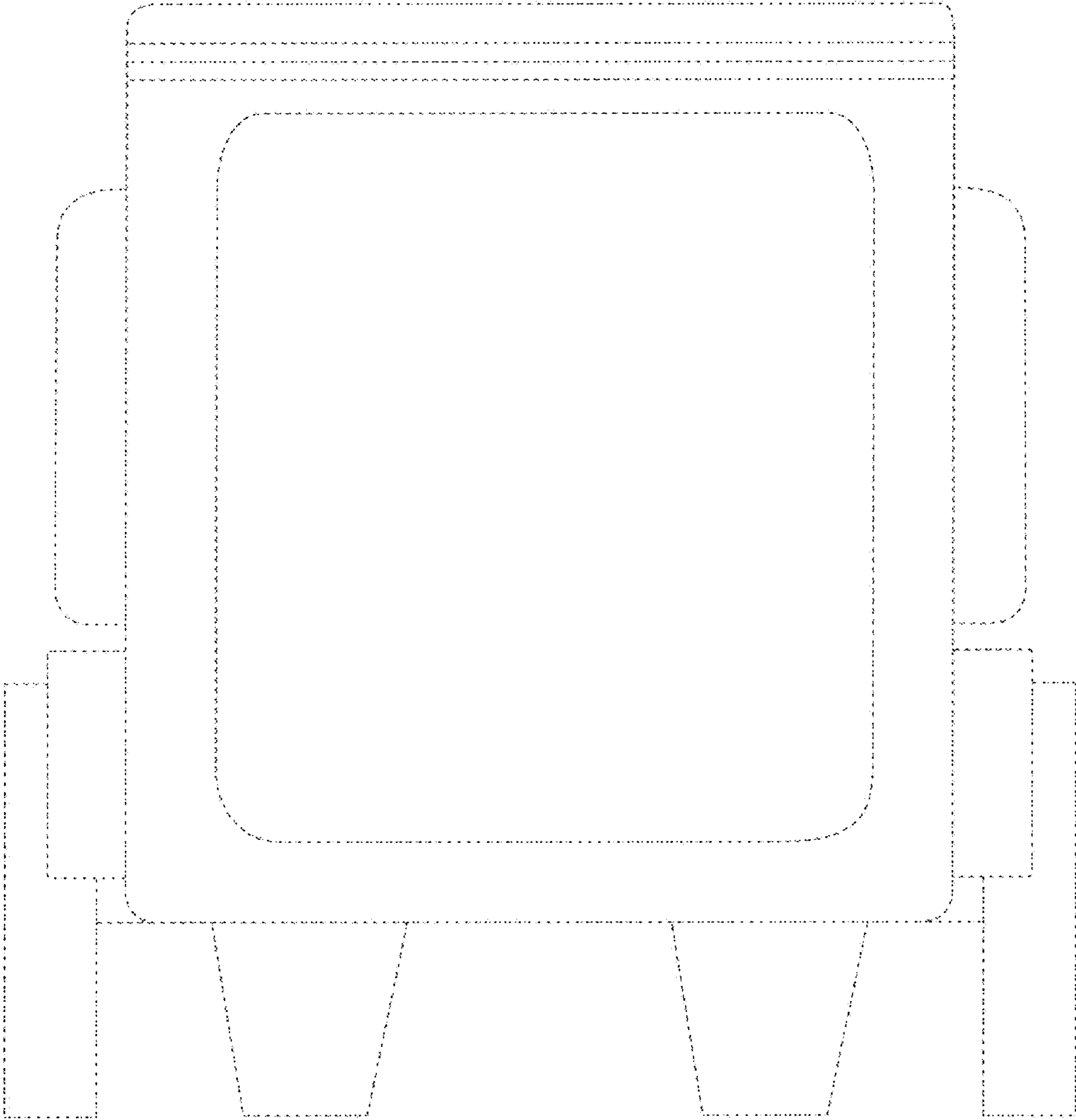


FIG. 3

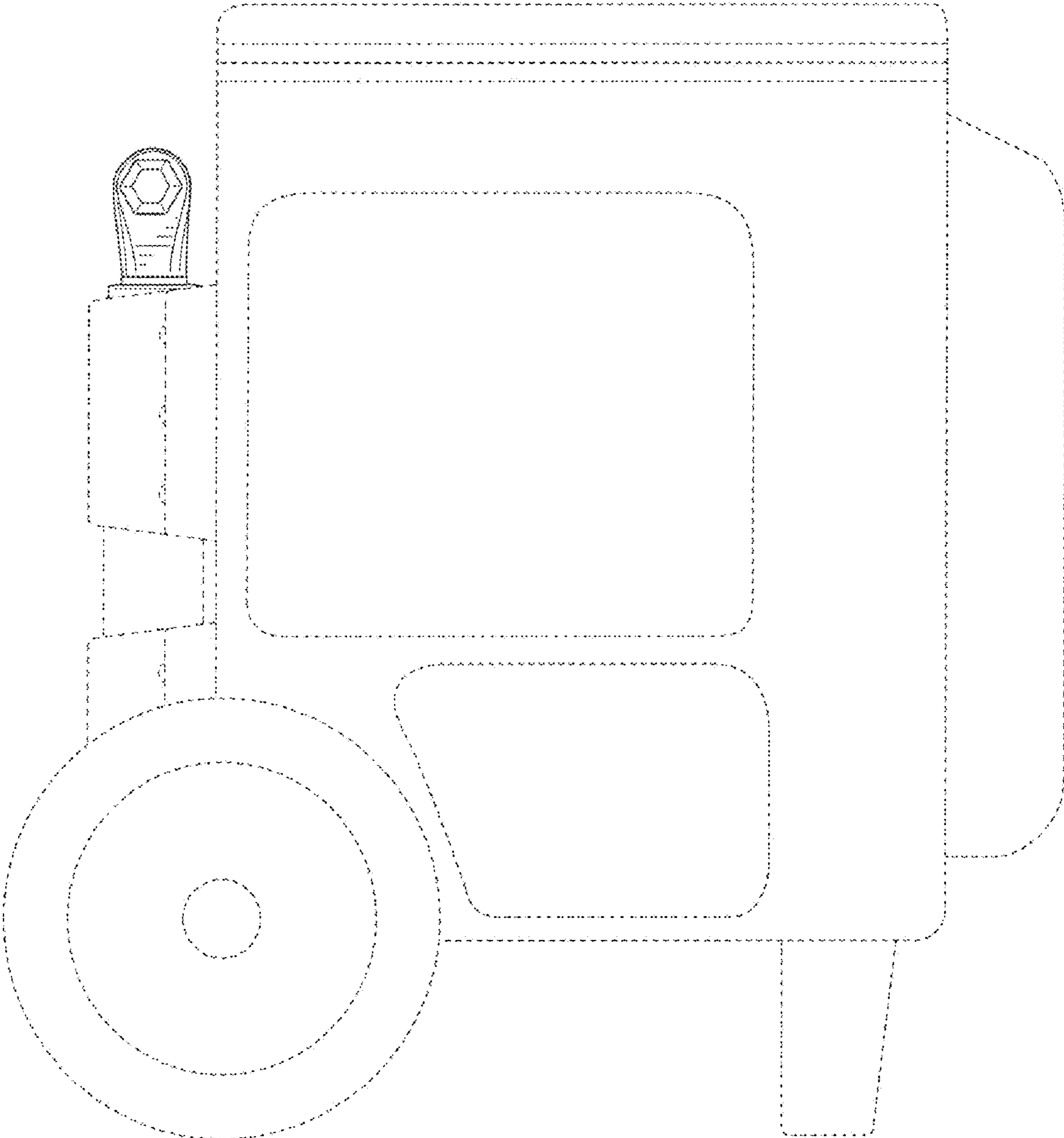


FIG. 4

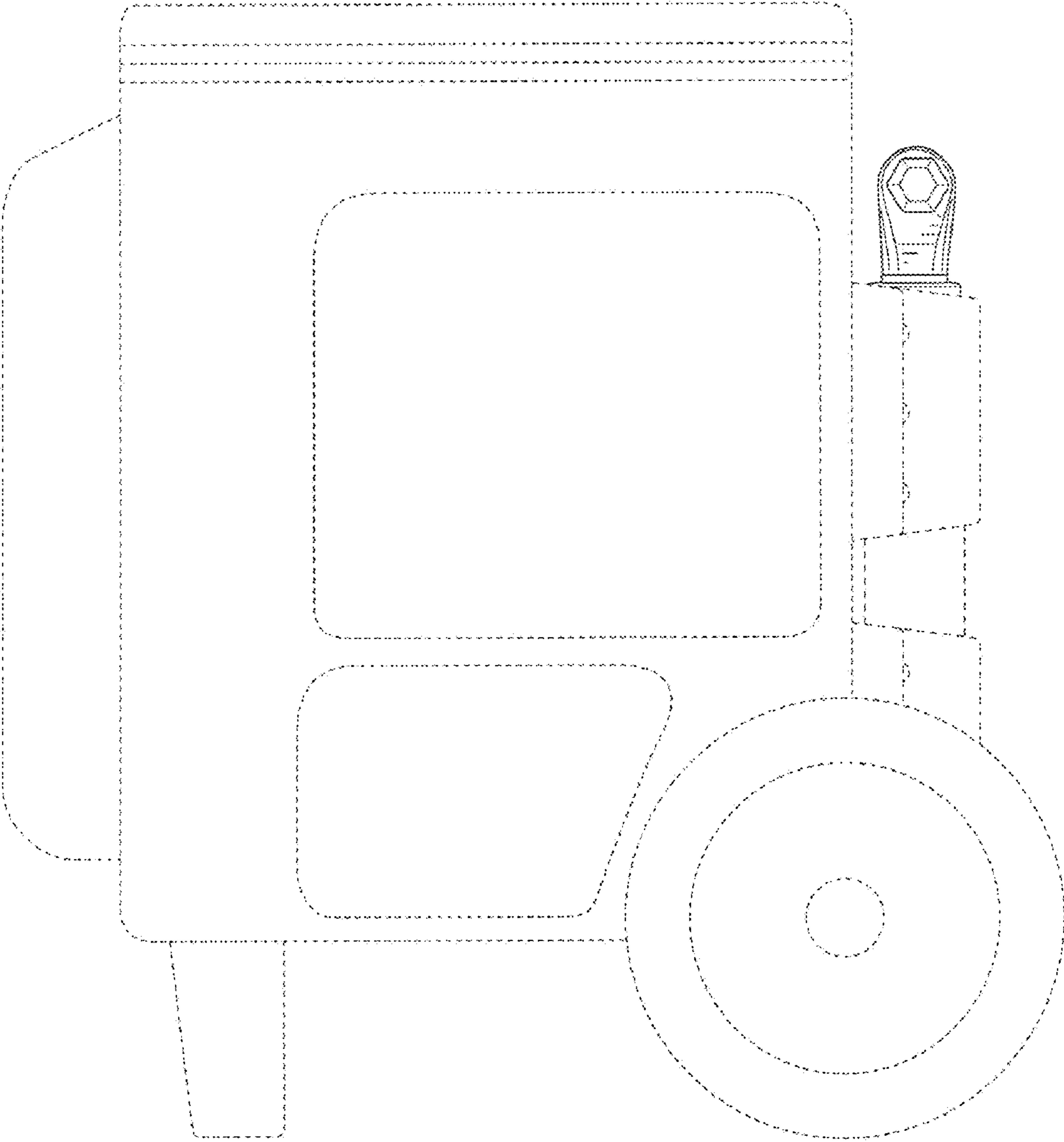


FIG. 5

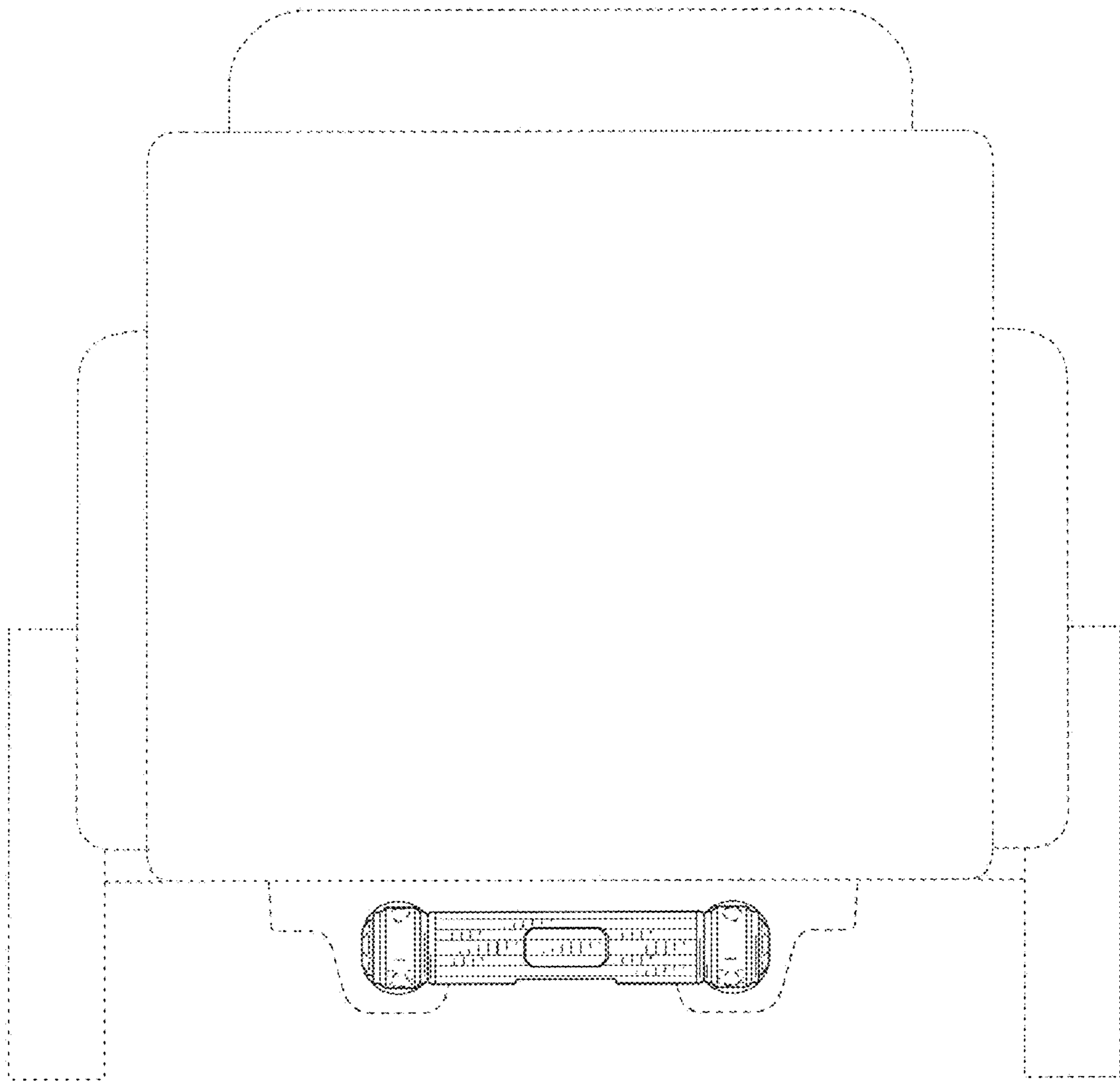


FIG. 6

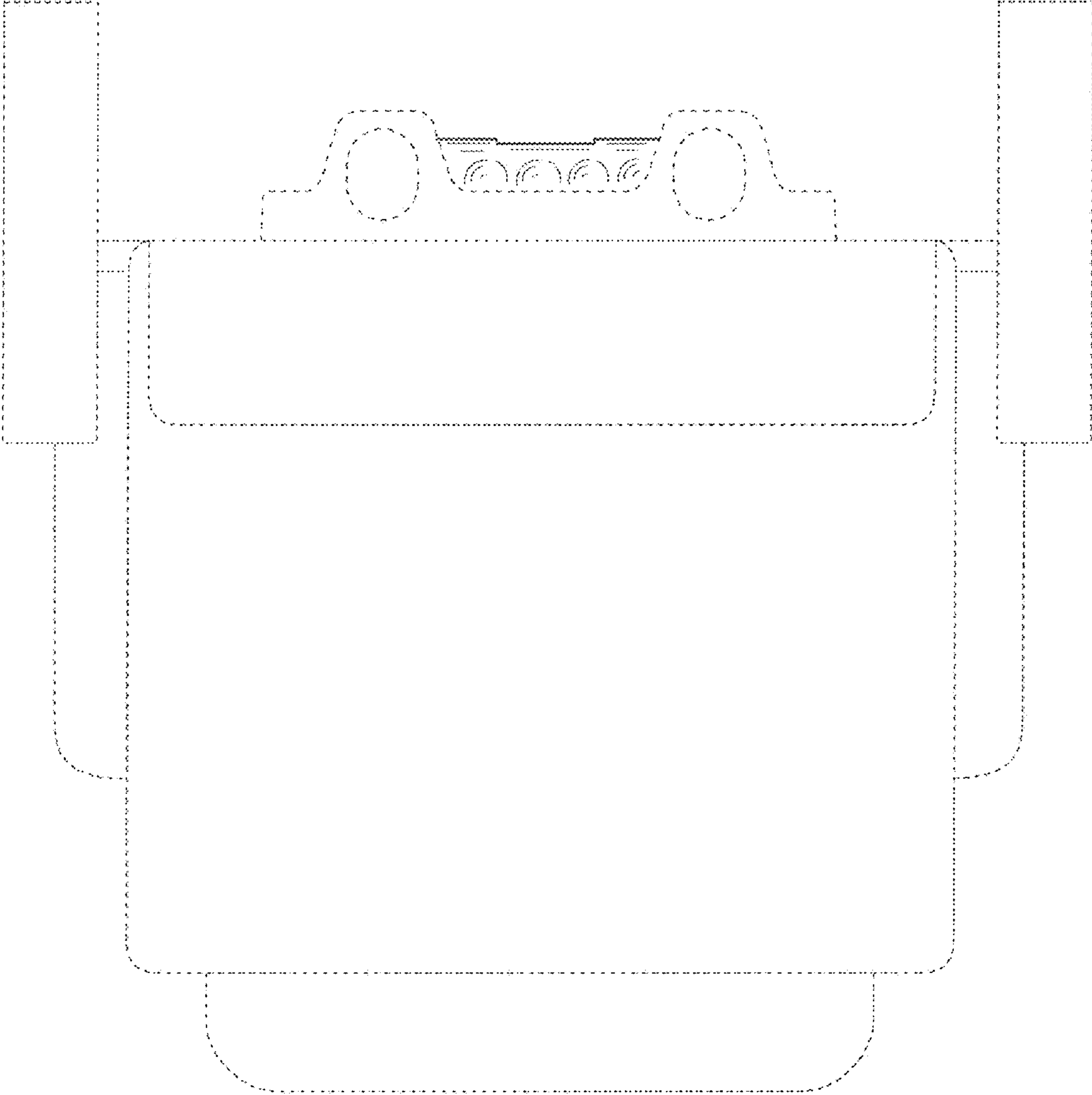


FIG. 7

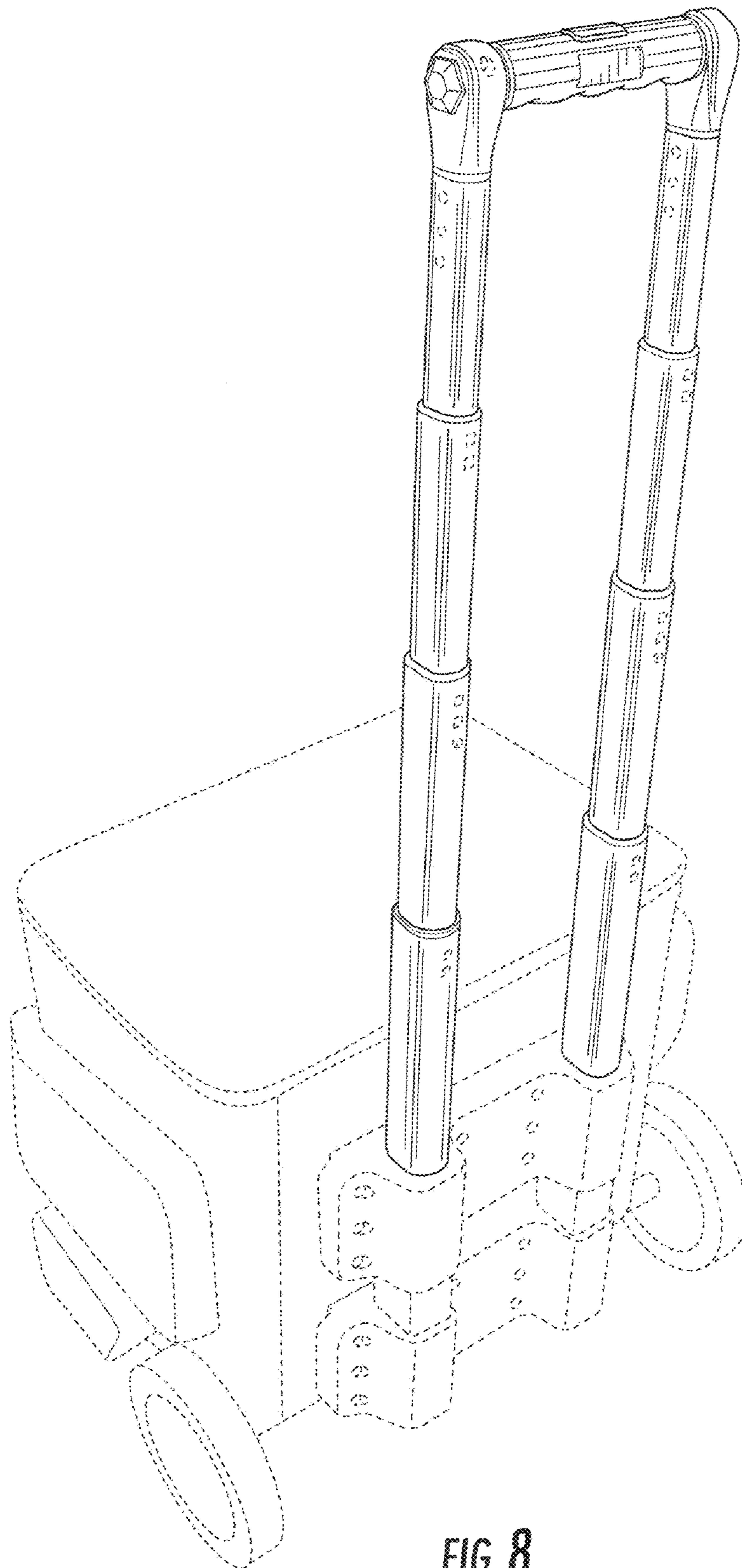


FIG. 8

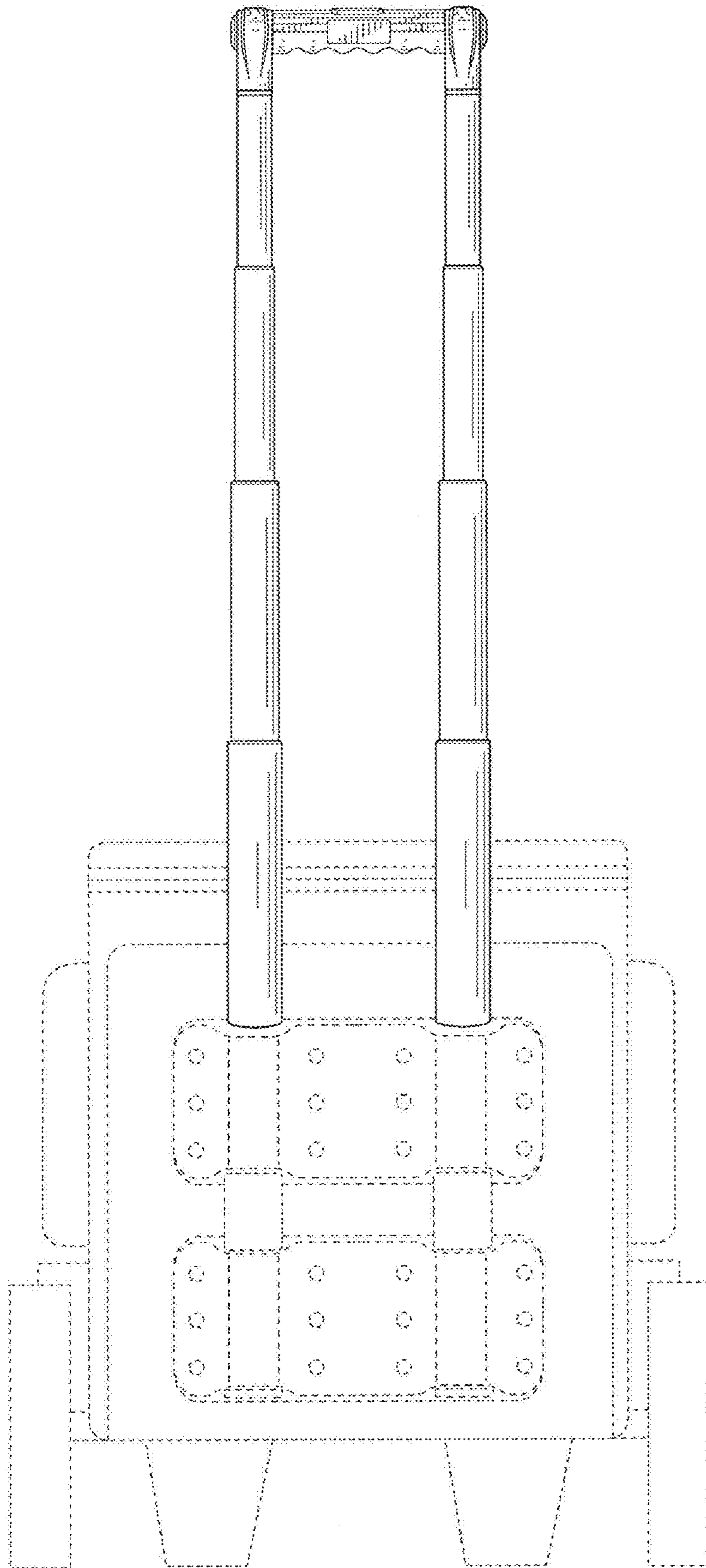


FIG. 9

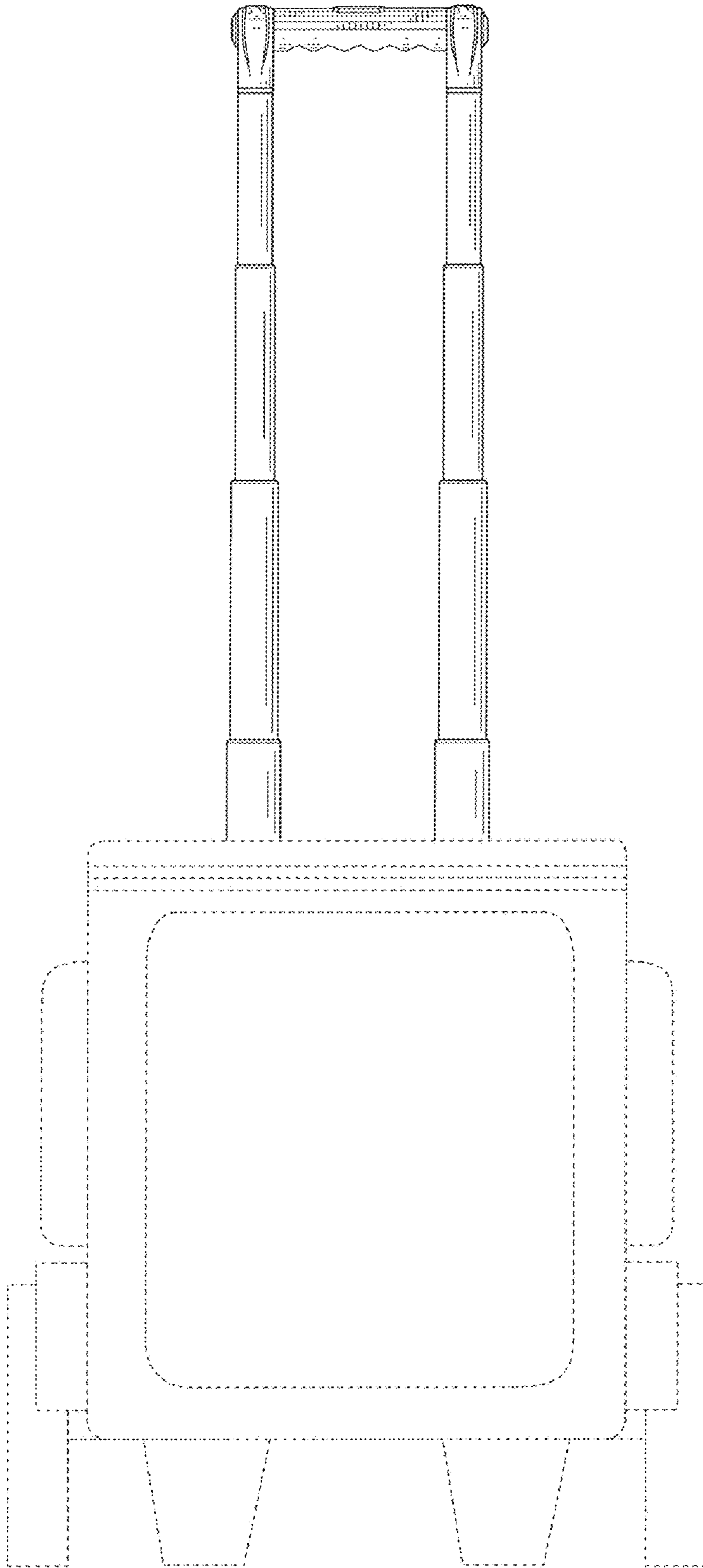


FIG. 10

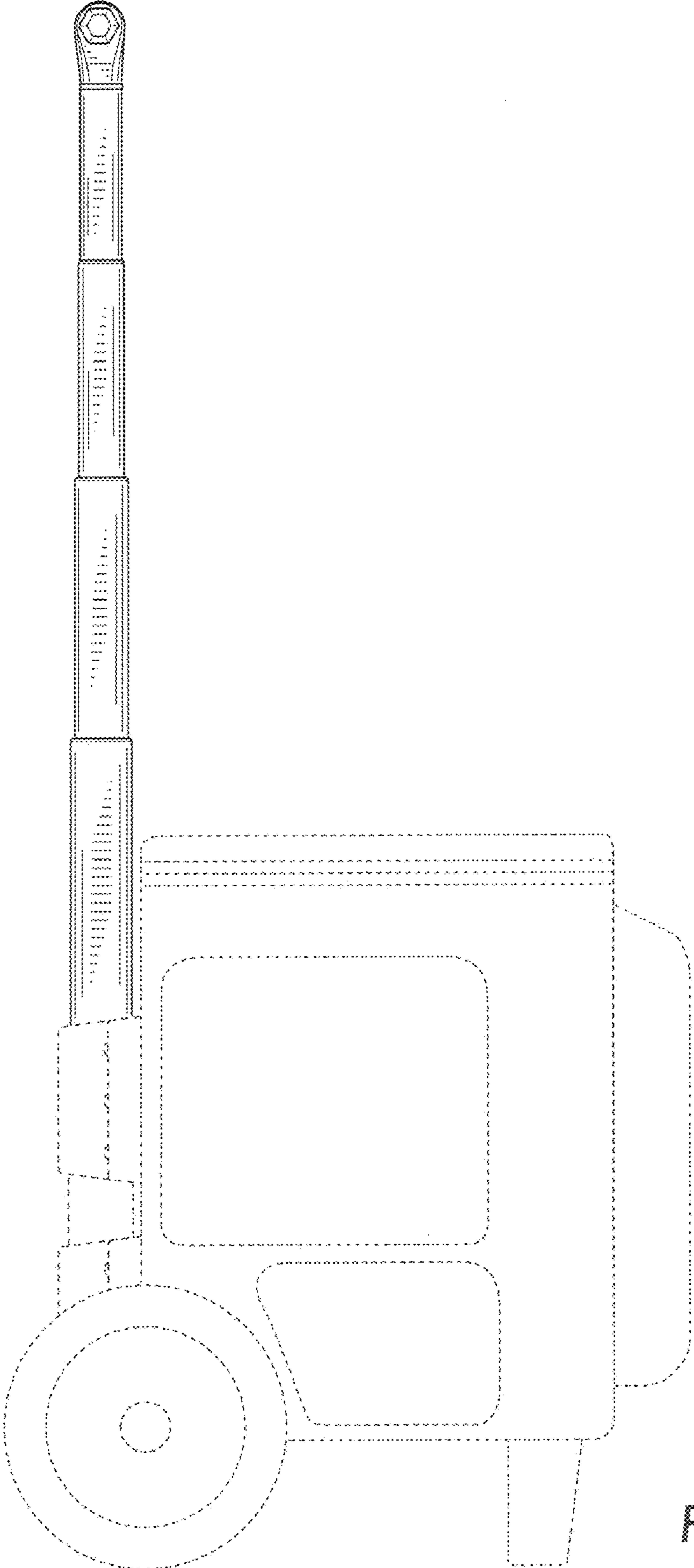


FIG. 11

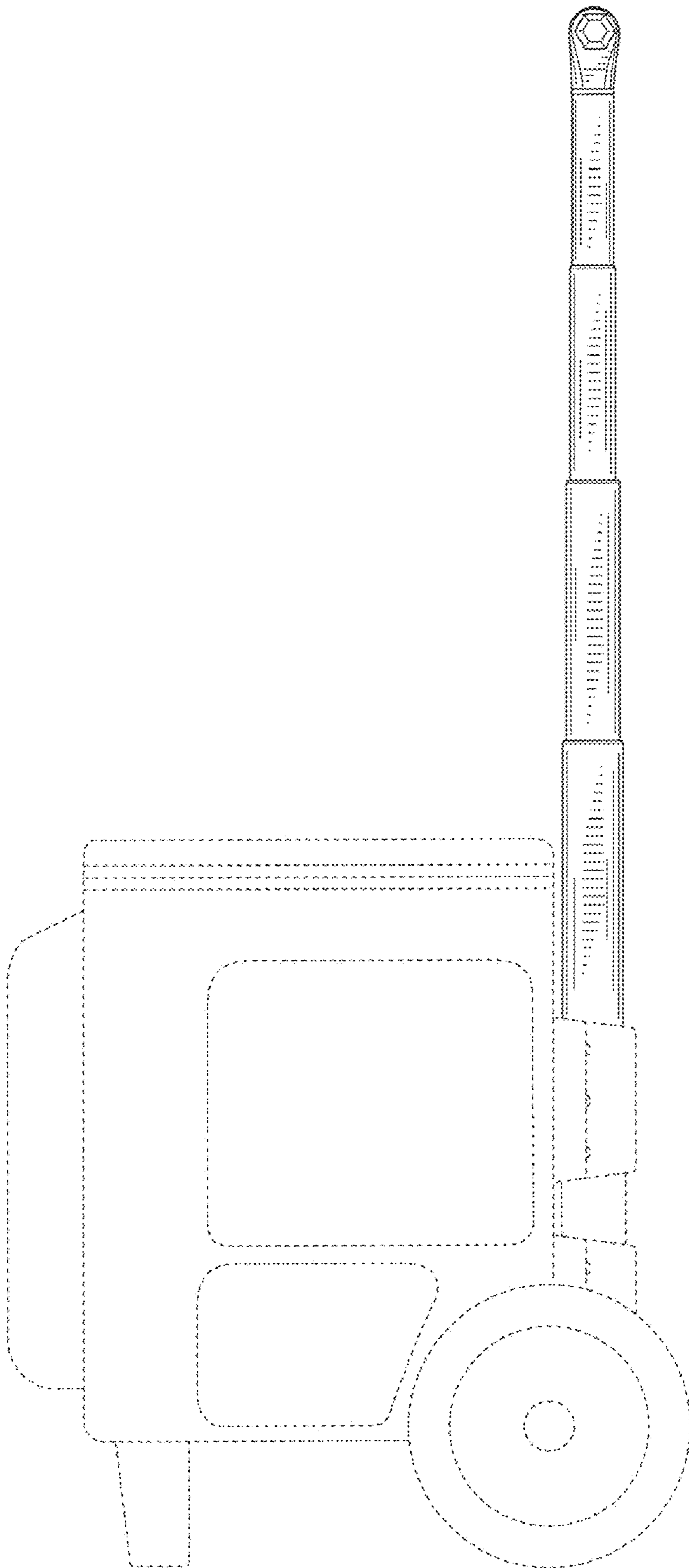


FIG. 12

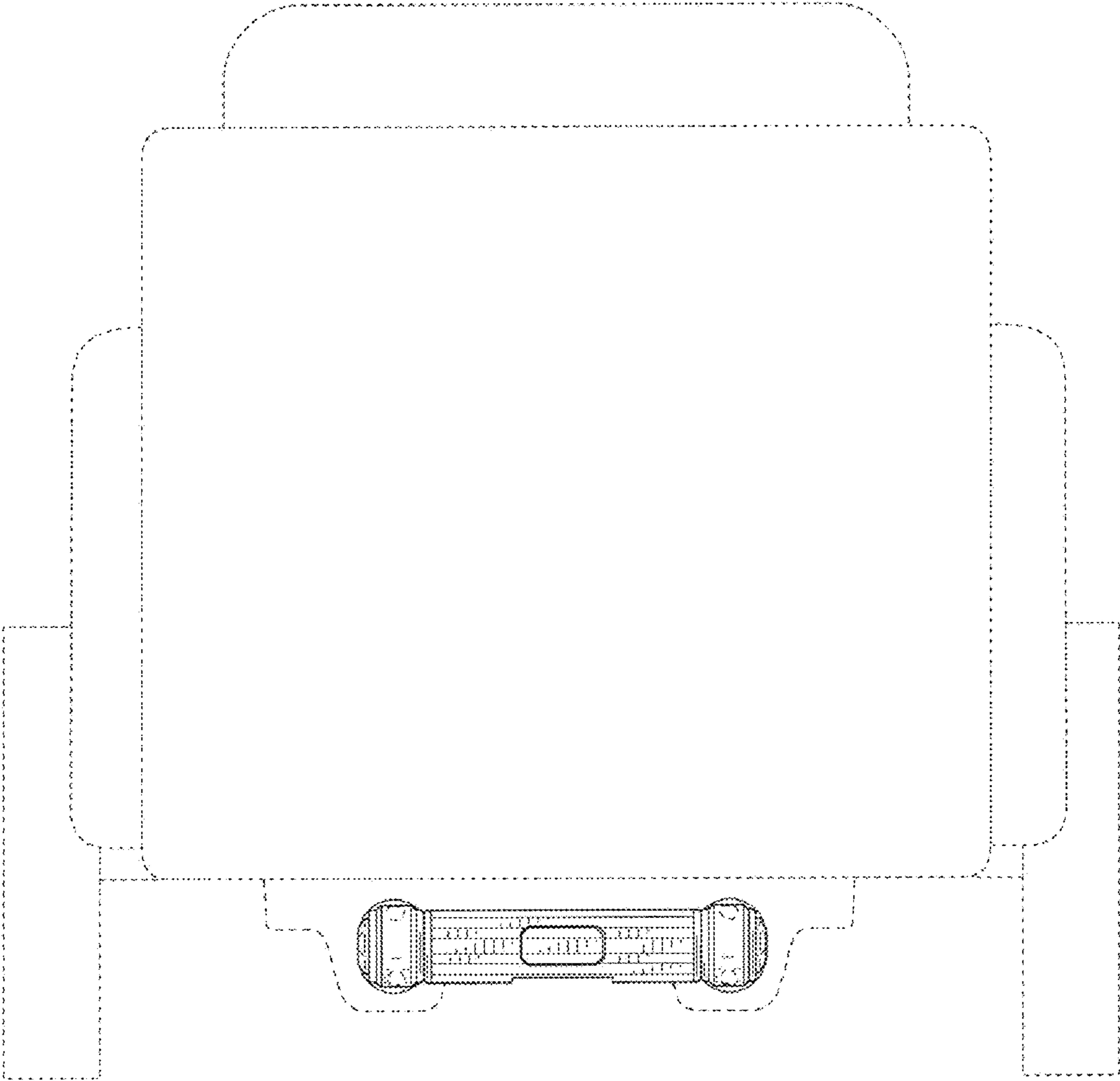


FIG. 13

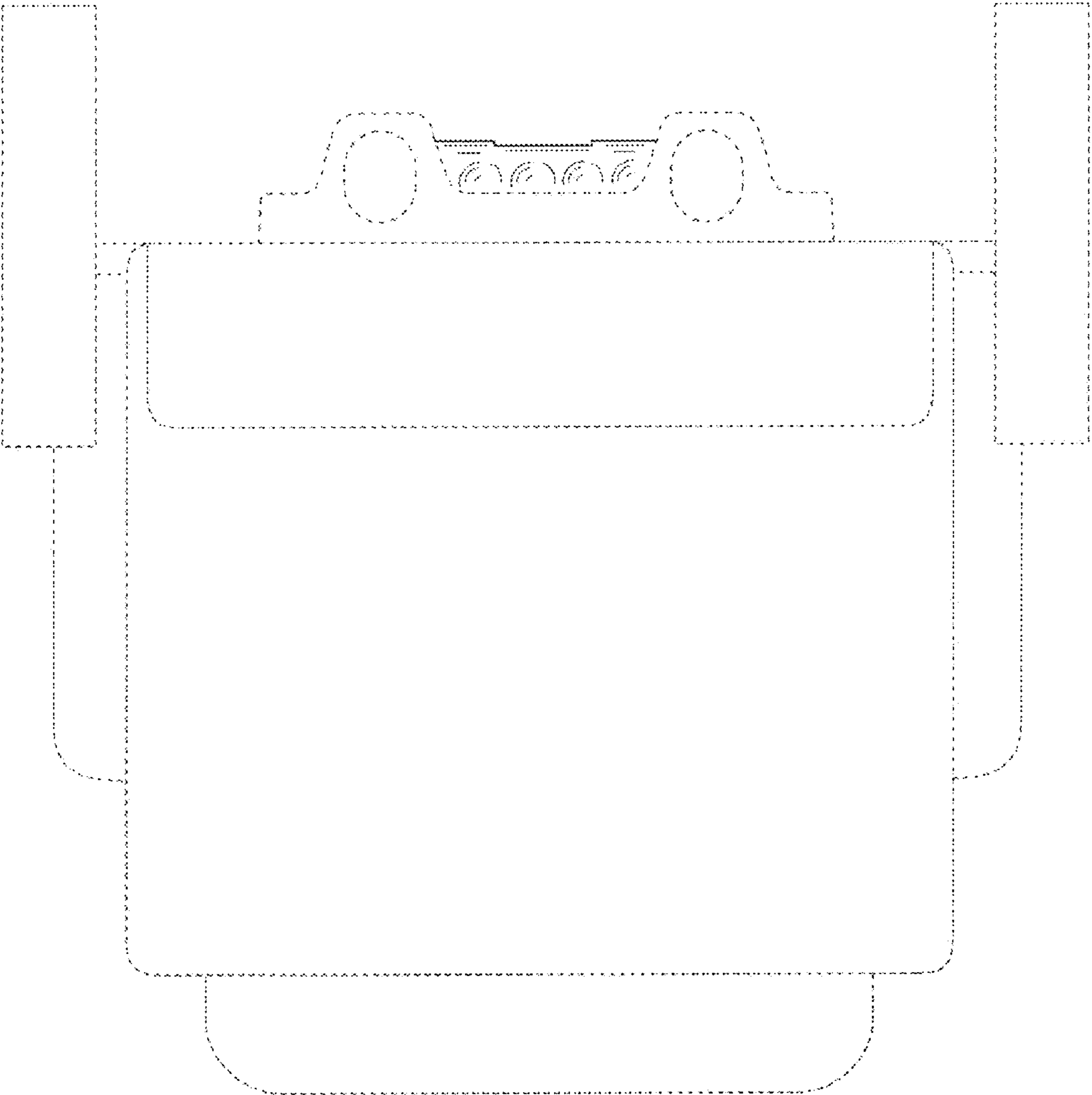


FIG. 14