



US00D666829S

(12) **United States Design Patent**
Liao

(10) **Patent No.:** **US D666,829 S**

(45) **Date of Patent:** **** Sep. 11, 2012**

(54) **STORAGE BOX**

(76) Inventor: **Ying-Chieh Liao**, Taichung (TW)

(**) Term: **14 Years**

(21) Appl. No.: **29/404,992**

(22) Filed: **Oct. 27, 2011**

(51) **LOC (9) Cl.** **03-01**

(52) **U.S. Cl.** **D3/304**

(58) **Field of Classification Search** D3/201,
D3/304, 308, 313, 315–316; D6/510–511,
D6/515; D19/75, 92, 100; 206/203, 214–215,
206/821–822; 229/915

See application file for complete search history.

(56) **References Cited**

U.S. PATENT DOCUMENTS

D159,884	S	*	8/1950	Baldanza	D9/424
D191,144	S	*	8/1961	Schanz	D3/307
3,113,680	A	*	12/1963	Frater et al.	211/126.4
3,379,339	A	*	4/1968	Asenbauer	206/506
3,478,892	A	*	11/1969	Lockwood	211/126.2
3,534,866	A	*	10/1970	Asenbauer	211/126.2
D242,659	S	*	12/1976	Clipson et al.	D3/307
4,015,713	A	*	4/1977	Clipson et al.	206/509
D246,872	S	*	1/1978	White	D3/304
D270,678	S	*	9/1983	Stein	D3/304
D272,576	S	*	2/1984	Klein	D3/304
4,760,921	A	*	8/1988	Licari	206/504
D301,927	S	*	6/1989	Williams, Jr.	D3/304
D304,638	S	*	11/1989	Ireland	D3/304
D327,560	S	*	6/1992	Hradisky	D3/307
D327,561	S	*	6/1992	Hradisky	D3/307
D327,971	S	*	7/1992	Cugley	D3/304
D341,461	S	*	11/1993	Davidson et al.	D3/312
D357,120	S	*	4/1995	Miller	D3/312
D395,756	S	*	7/1998	Tanji	D3/312
D409,387	S	*	5/1999	Yemini	D3/307
D423,983	S	*	5/2000	Goldman et al.	D11/143
6,062,388	A	*	5/2000	Ohayon	206/509
D436,728	S	*	1/2001	Harding	D3/304
D448,567	S	*	10/2001	Buss	D3/310
D467,732	S	*	12/2002	Taylor et al.	D3/304
D467,734	S	*	12/2002	Taylor et al.	D3/318
D500,924	S	*	1/2005	Martin et al.	D3/302

D517,319	S	*	3/2006	Wisnoski et al.	D3/304
D538,539	S	*	3/2007	Richardson et al.	D3/314
D544,918	S	*	6/2007	Kanbar	D19/89
D549,454	S	*	8/2007	Åhman	D3/304
D581,159	S	*	11/2008	Neilsen	D3/304
D583,562	S	*	12/2008	Ghiorghie	D3/304
D588,648	S	*	3/2009	Kanbar	D19/89
D600,916	S	*	9/2009	Schäfer	D3/304
D606,313	S	*	12/2009	Neilsen	D3/304
D606,314	S	*	12/2009	Neilsen	D3/313
D621,619	S	*	8/2010	Ripoll	D3/304
D630,852	S	*	1/2011	Kobilarcik et al.	D3/307
D635,770	S	*	4/2011	Kobilarcik et al.	D3/304
D636,601	S	*	4/2011	Brown et al.	D3/304
D636,950	S	*	4/2011	Lawson et al.	D30/161
D638,590	S	*	5/2011	Lipscomb et al.	D30/161
D639,560	S	*	6/2011	Brown et al.	D3/304
D639,562	S	*	6/2011	Cadwell	D3/307
D648,535	S	*	11/2011	Reinhart et al.	D3/302
D648,802	S	*	11/2011	Chuang	D19/92
D660,058	S	*	5/2012	Kincaid et al.	D6/510
2009/0084786	A1	*	4/2009	Claypool et al.	220/254.9
2009/0178989	A1	*	7/2009	Accuardi	211/126.7

* cited by examiner

Primary Examiner — Kelley Donnelly

(74) *Attorney, Agent, or Firm* — Muncy, Geissler, Olds & Lowe, PLLC

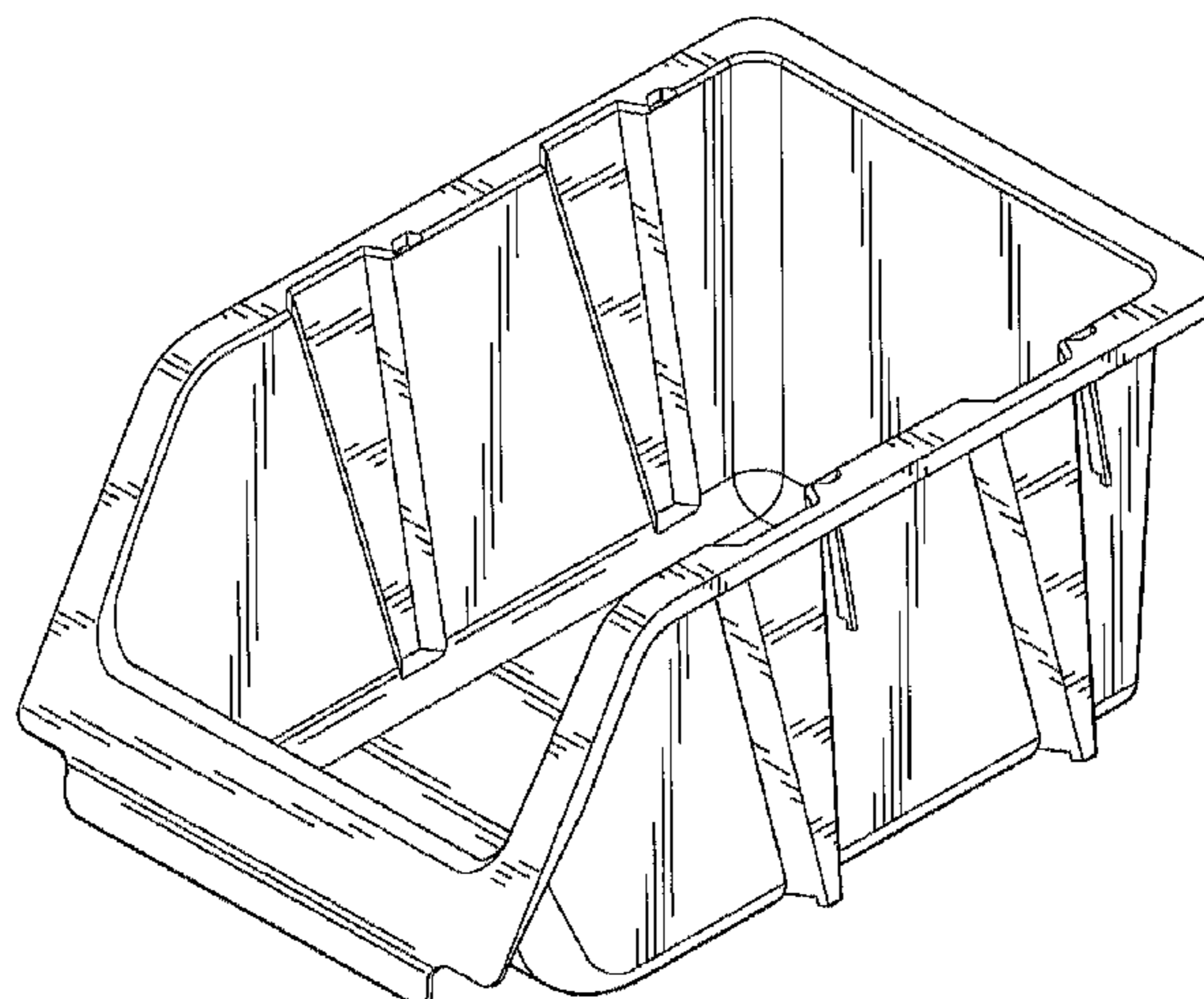
(57) **CLAIM**

I claim the ornamental design for a storage box, as shown and described.

DESCRIPTION

FIG. 1 is a right, front perspective view of the storage box showing my new design;
 FIG. 2 is a front view thereof;
 FIG. 3 is a rear view thereof;
 FIG. 4 is a left view thereof;
 FIG. 5 is a right view thereof;
 FIG. 6 is a top plan view thereof;
 FIG. 7 is a bottom plan view thereof; and,
 FIG. 8 is a left, rear perspective view of the storage box thereof.

1 Claim, 8 Drawing Sheets



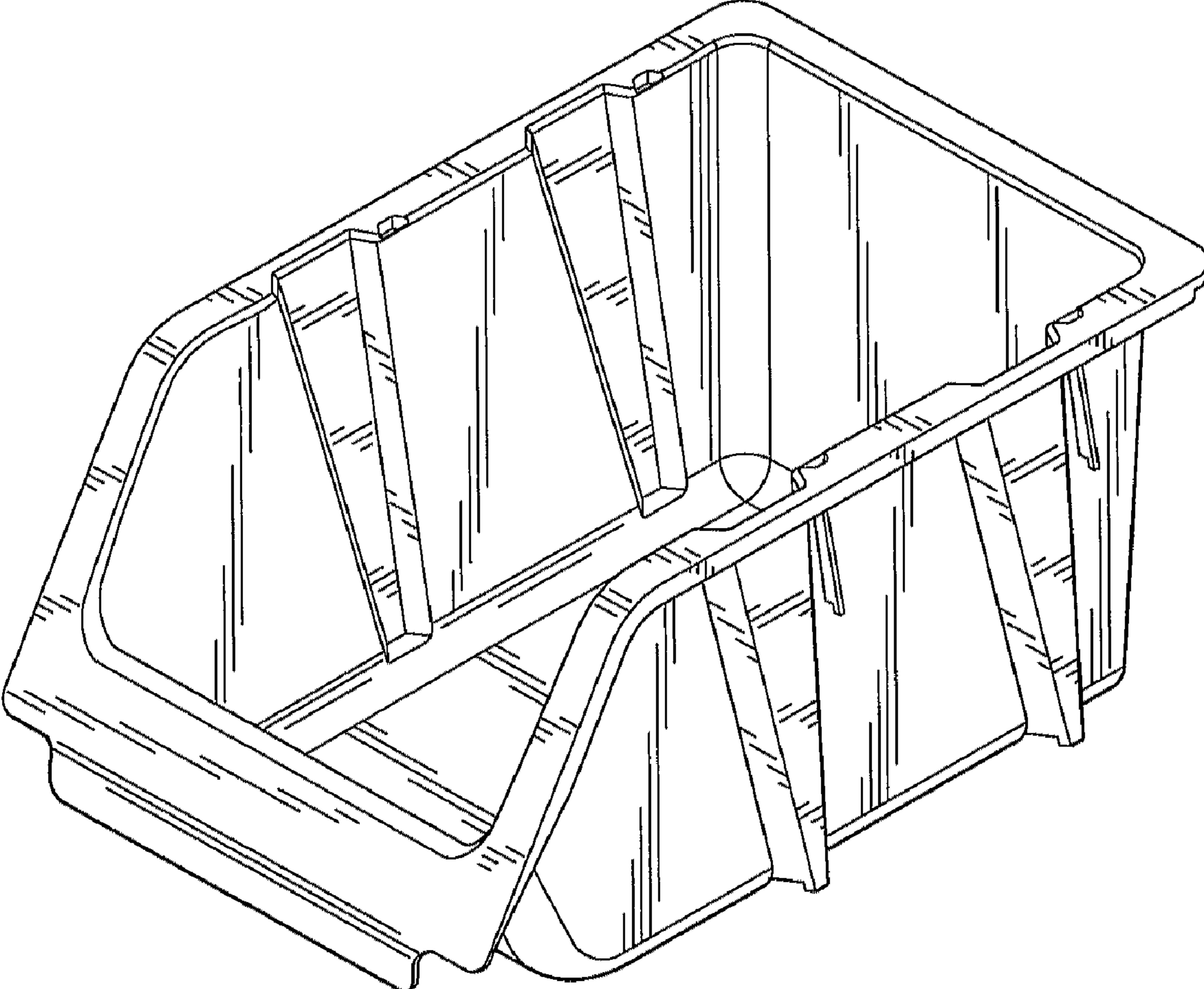


FIG. 1

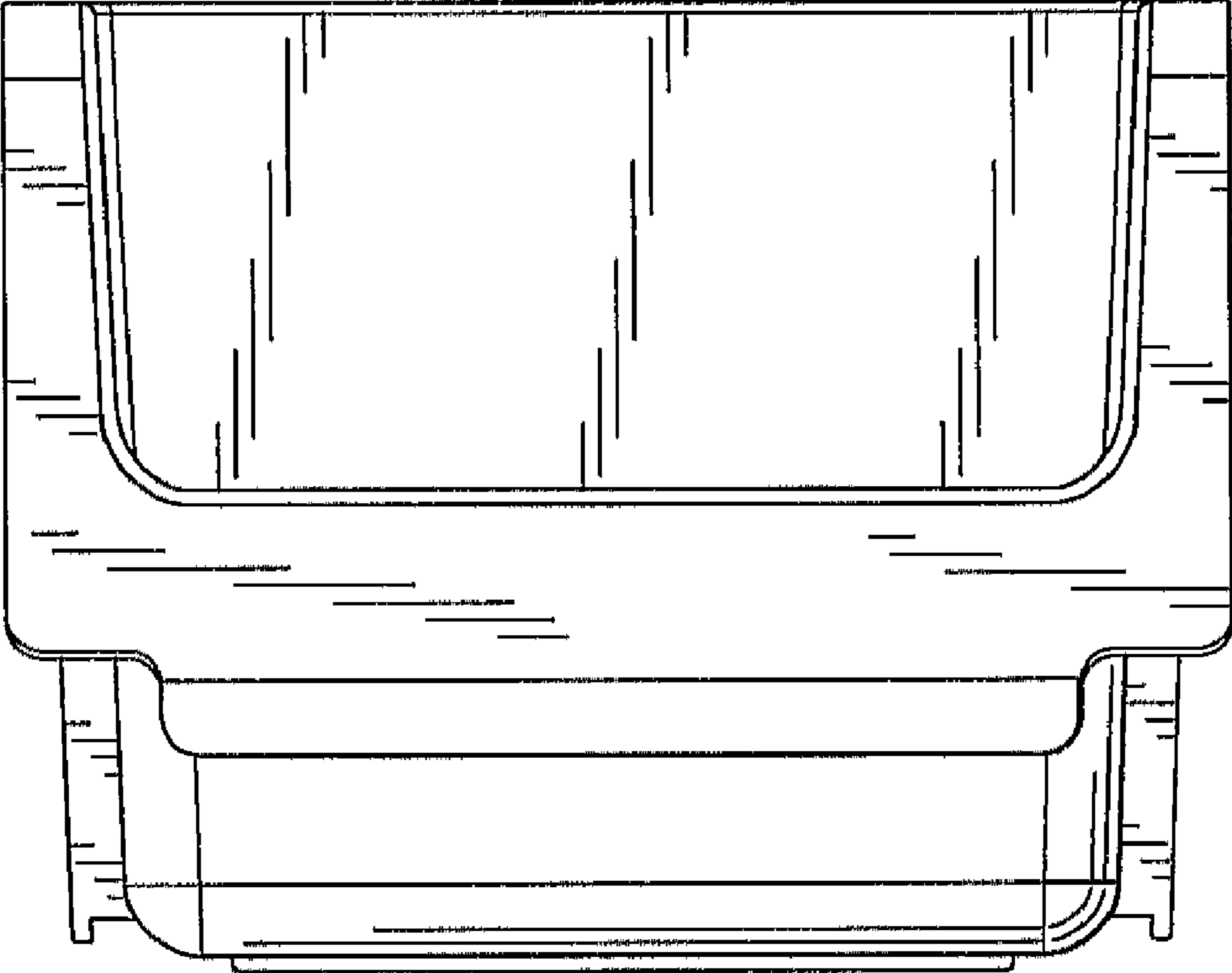


FIG. 2

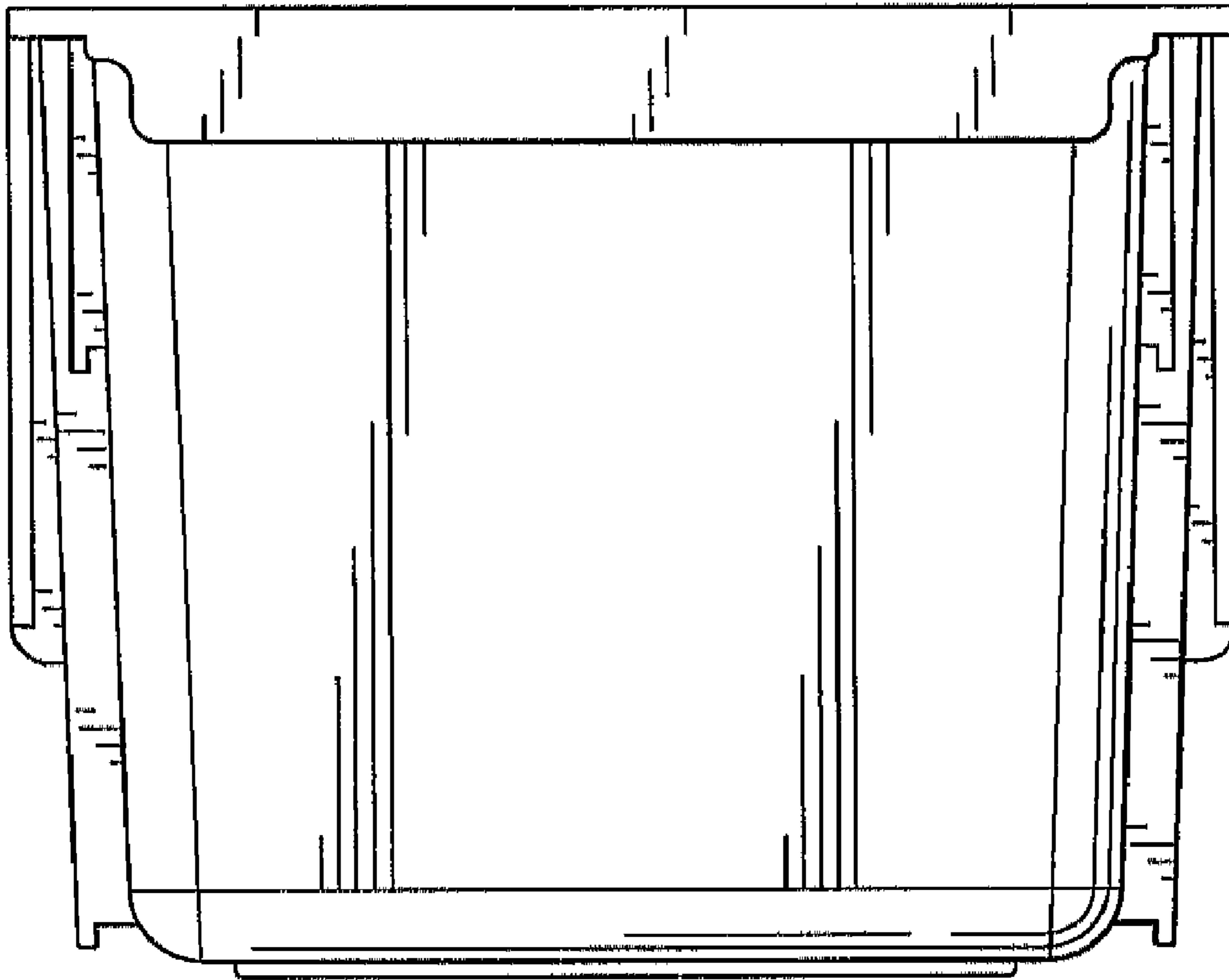


FIG. 3

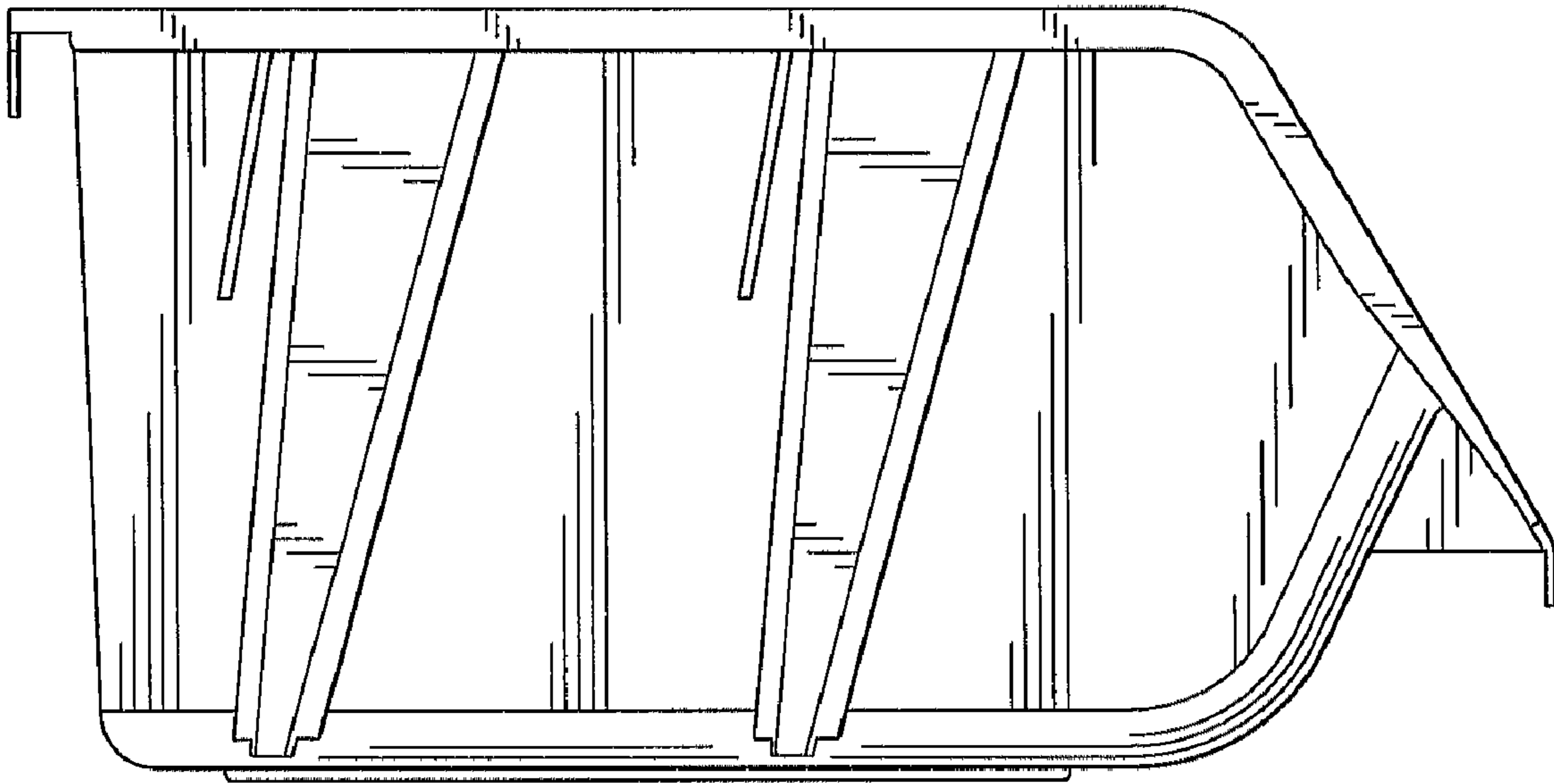


FIG. 4

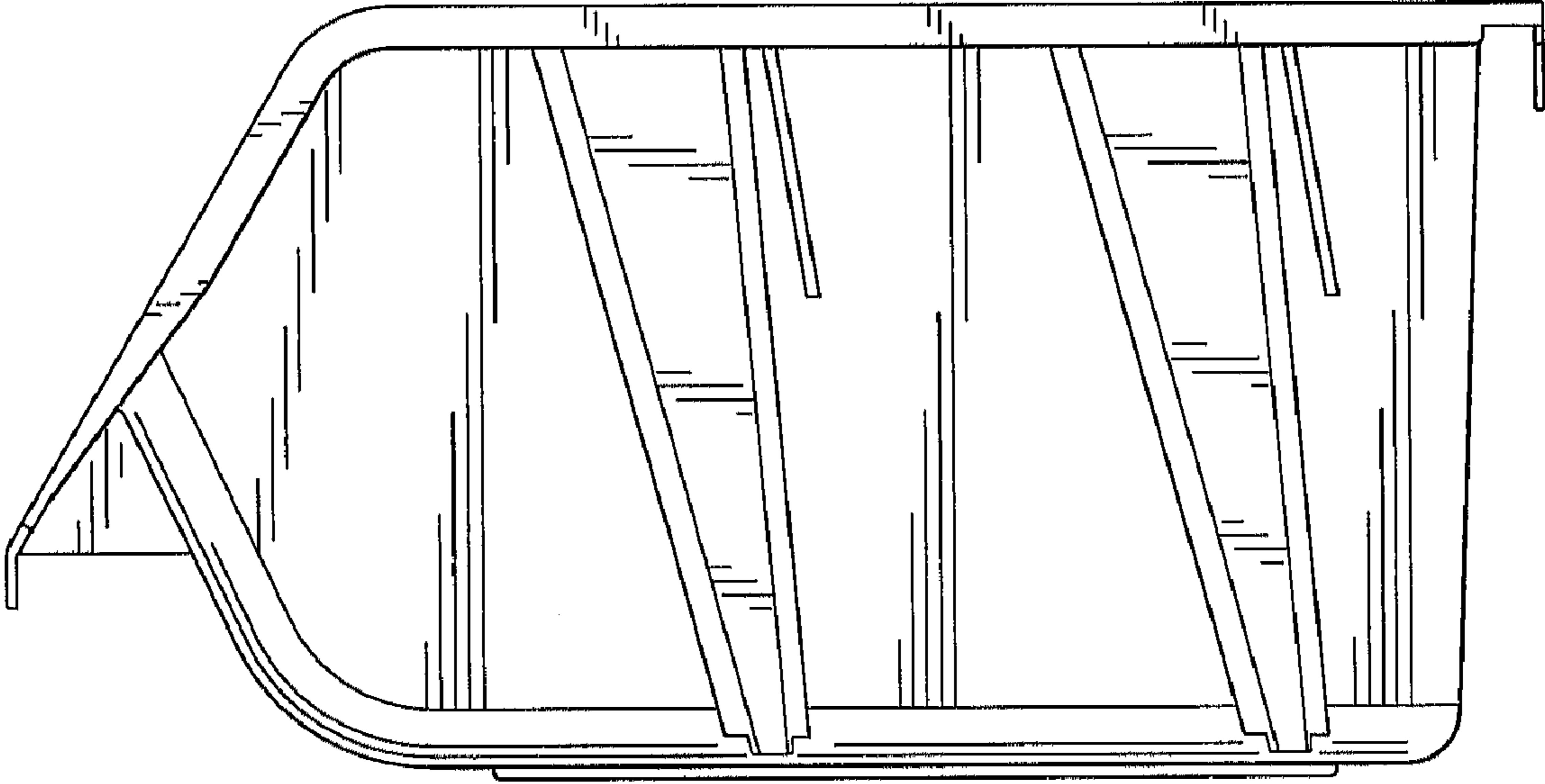


FIG. 5

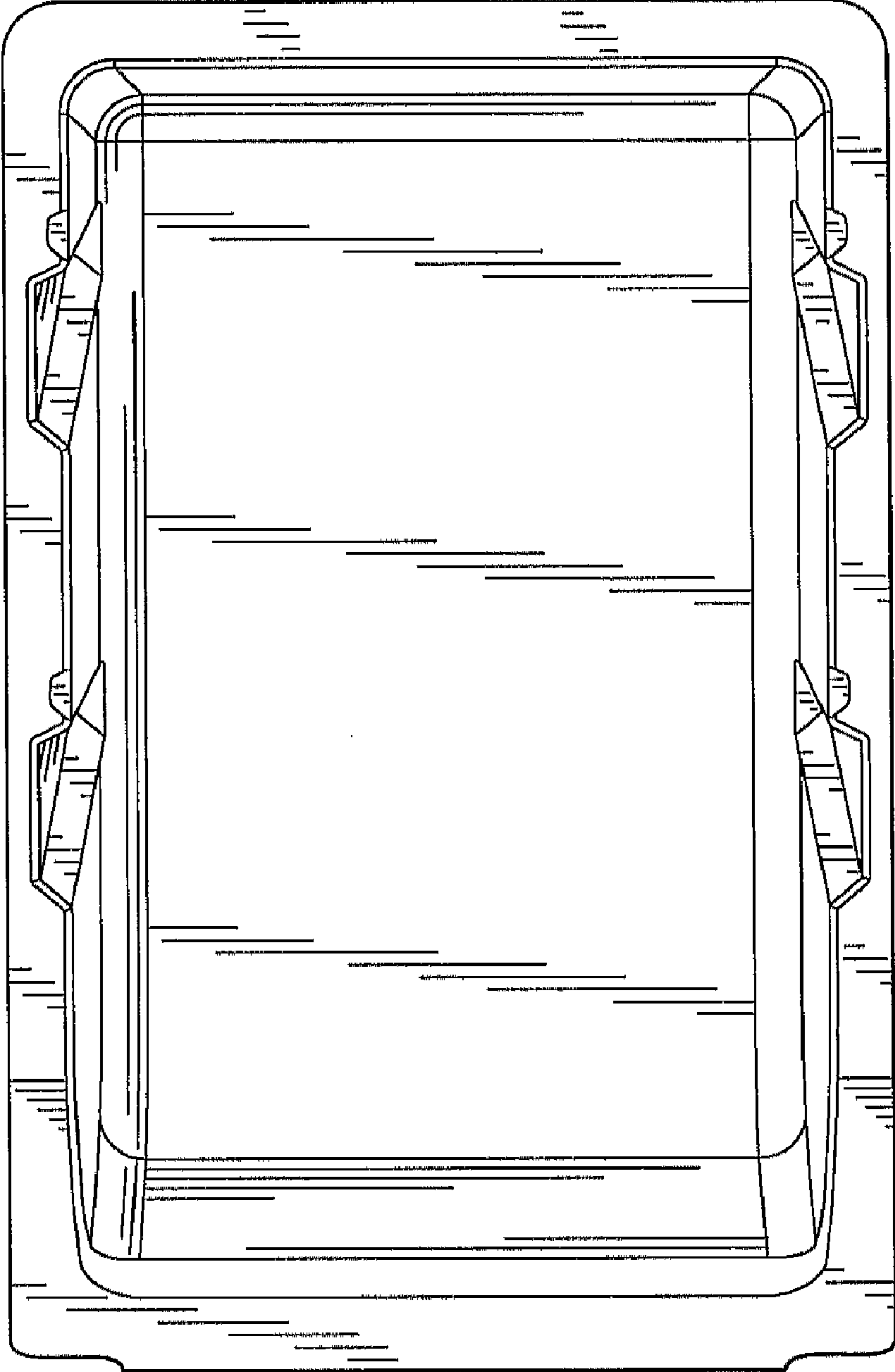


FIG. 6

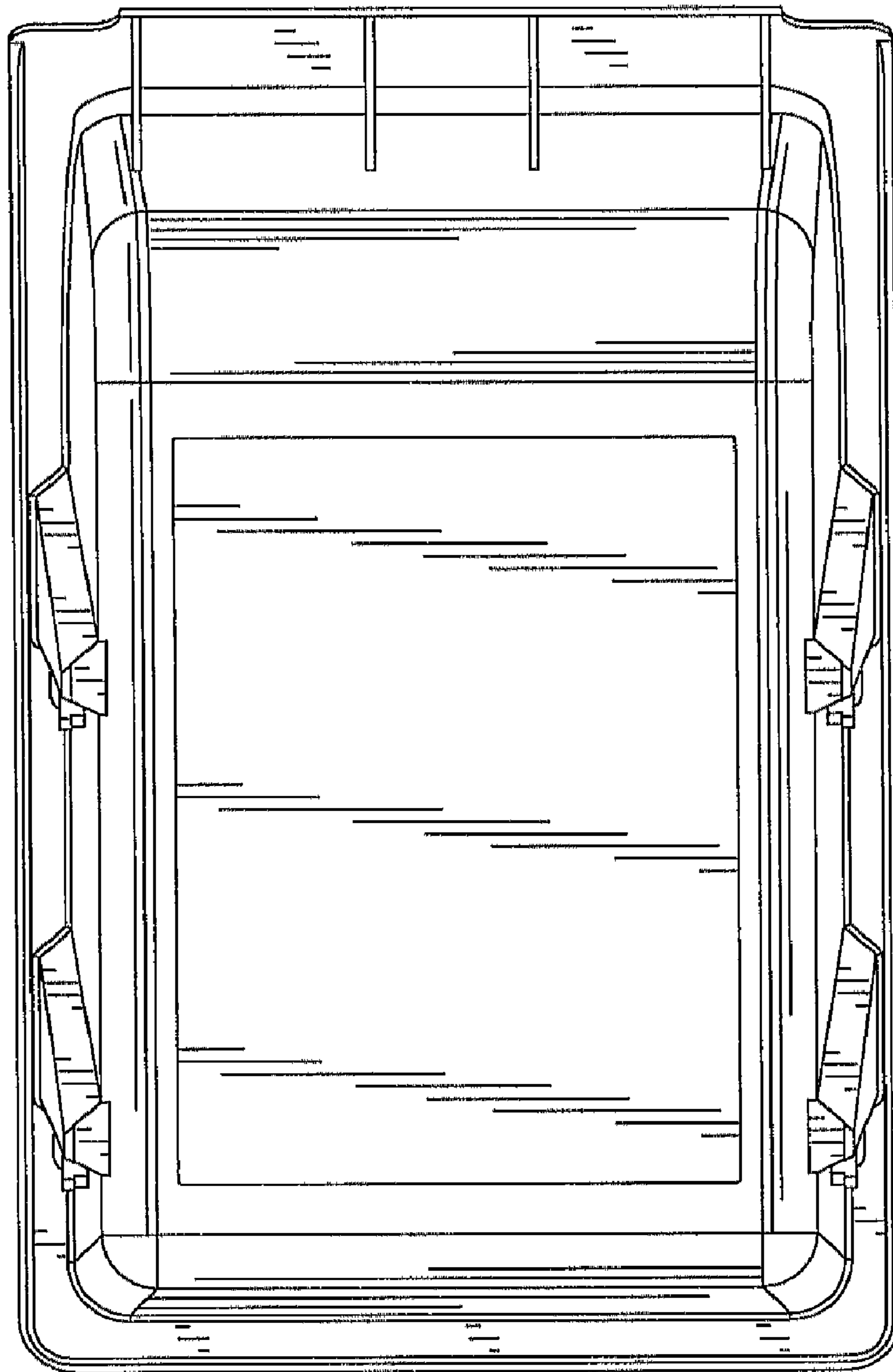


FIG. 7

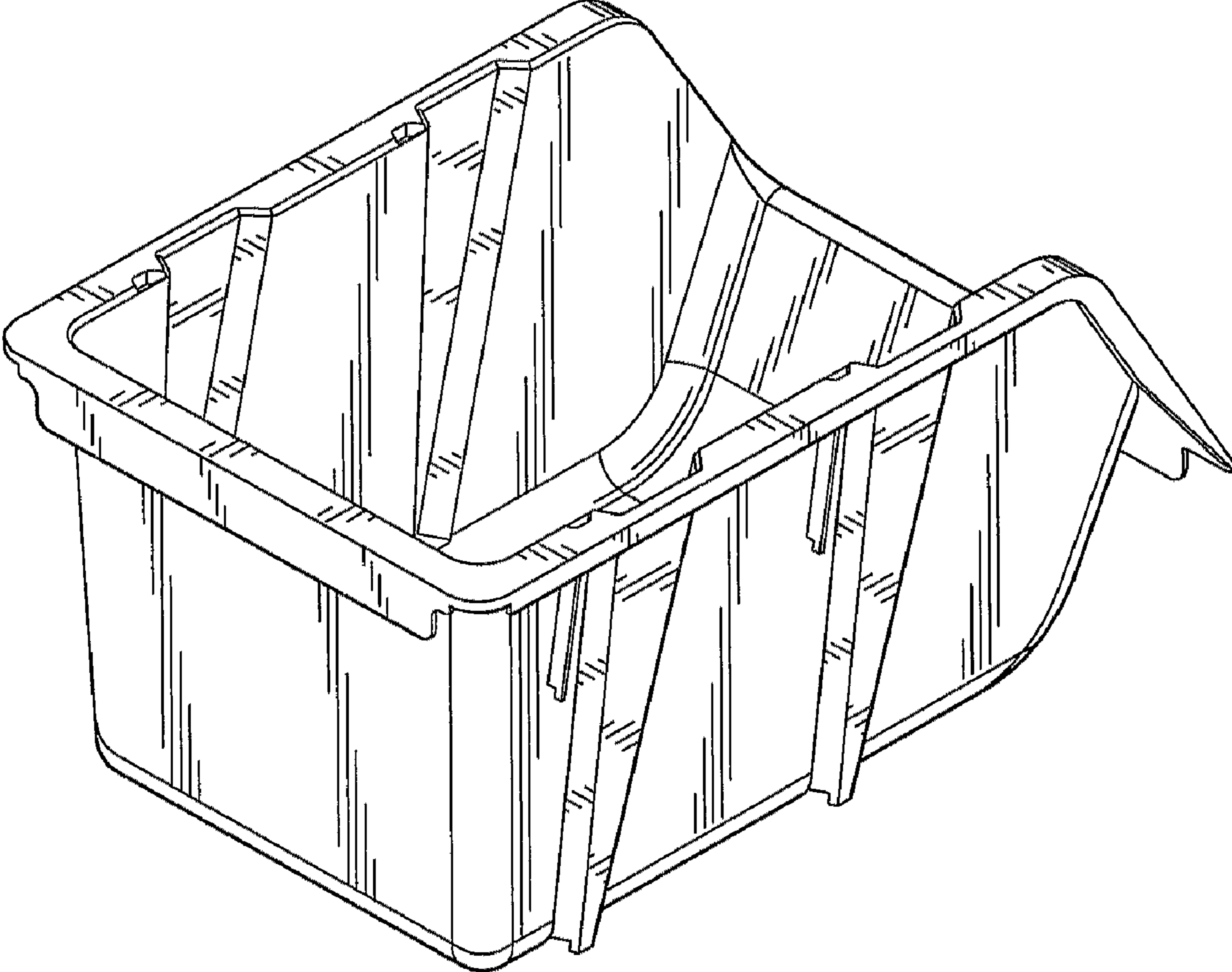


FIG. 8