

US00D666819S

(12) **United States Design Patent**  
**Erlich et al.**

(10) **Patent No.:** **US D666,819 S**

(45) **Date of Patent:** **\*\* Sep. 11, 2012**

(54) **FOLDABLE STORAGE POUCH**

*Primary Examiner* — Sheryl Lane

(75) Inventors: **Guy Erlich**, Monroe Township, NJ (US);  
**Steven R. Myers**, North Haledon, NJ  
(US)

(74) *Attorney, Agent, or Firm* — Abelman, Frayne & Schwab

(73) Assignee: **Water Tech LLC**, East Brunswick, NJ  
(US)

(57) **CLAIM**

The ornamental design for a foldable storage pouch, as shown and described.

(\*\*) Term: **14 Years**

**DESCRIPTION**

(21) Appl. No.: **29/373,740**

FIG. 1 is a top, front, left side perspective view of a first embodiment of a foldable storage pouch showing our new design;

(22) Filed: **May 16, 2011**

FIG. 2 is a top plan view thereof;

(51) **LOC (9) Cl.** ..... **03-01**

FIG. 3 is a front elevational view thereof, the rear view being a mirror image thereof;

(52) **U.S. Cl.** ..... **D3/299**

FIG. 4 is a right side elevational view thereof, the left side being a mirror image thereof;

(58) **Field of Classification Search** ..... D3/299,  
D3/294, 321, 215, 273, 295, 905, 274, 240–246,  
D3/249, 253, 303, 290, 232, 301, 233; D99/34–35;  
206/372–373, 480, 472–473; 109/59 R,  
109/109; D19/26, 32–33; 150/131–132,  
150/137–138, 143, 100, 103–114

FIG. 5 is a bottom plan view thereof;

FIG. 6 is a top, front, left side perspective view of a second embodiment of the foldable storage pouch showing our new design;

See application file for complete search history.

FIG. 7 is a right side elevational view thereof, the left side being a mirror image thereof;

FIG. 8 is a top plan view thereof; and,

FIG. 9 is a bottom plan view thereof.

(56) **References Cited**

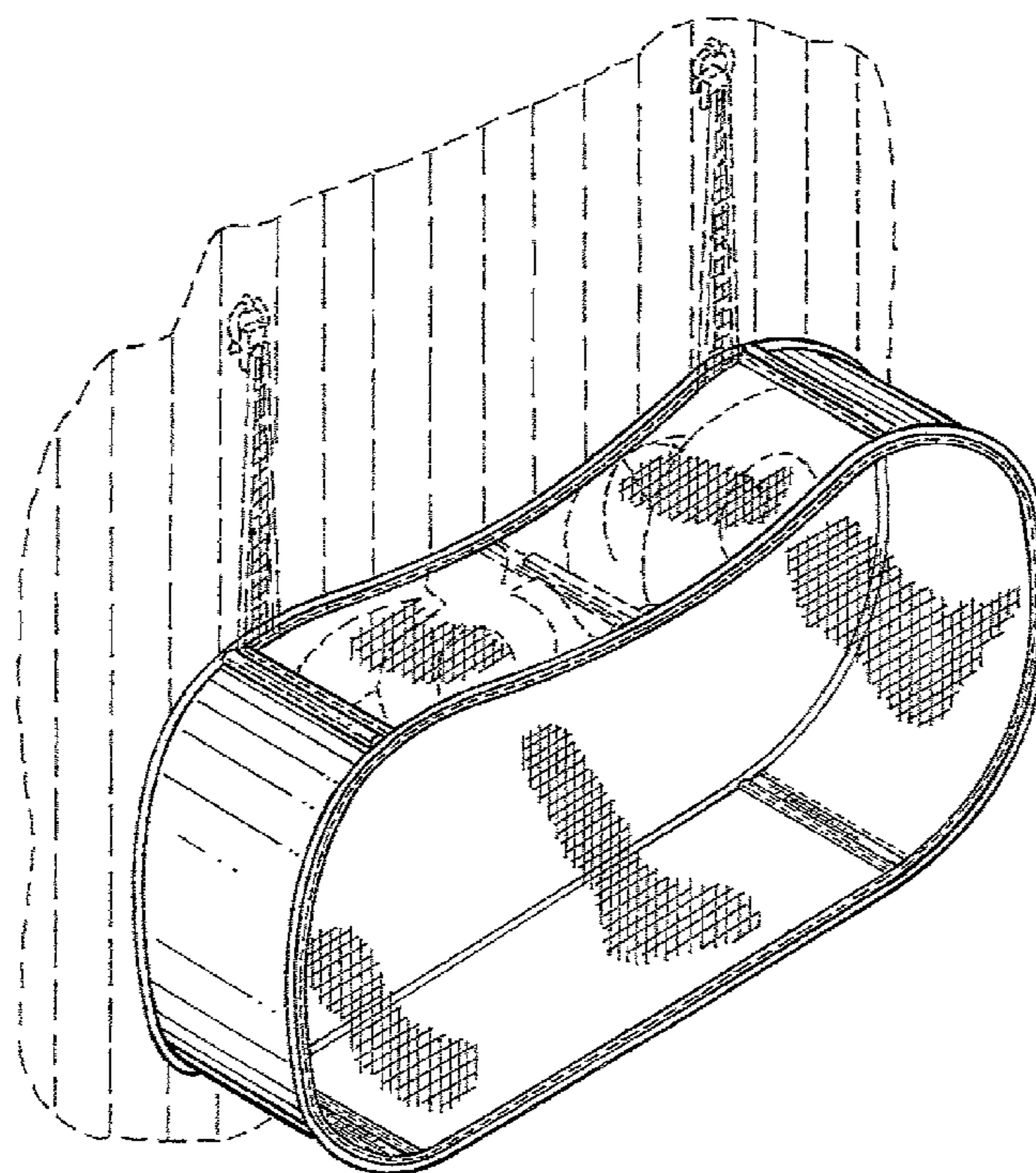
The broken lines showing structural elements in the drawings are included for the purpose of illustrating an environment of use and non-claimed subject matter, and form no part of the claimed design. The broken lines illustrating stitching along the sidewalls, top and bottom of the foldable storage pouch are non-claimed subject matter and form no part of the claimed design.

**U.S. PATENT DOCUMENTS**

D404,912 S *	2/1999	Addi	.....	D3/238
D444,944 S *	7/2001	Smith et al.	.....	D3/271.4
D499,542 S *	12/2004	Nanda	.....	D3/200
D596,856 S *	7/2009	Udwin	.....	D3/289
D636,598 S *	4/2011	Tseng et al.	.....	D3/294
D639,049 S *	6/2011	Lucido	.....	D3/232

\* cited by examiner

**1 Claim, 5 Drawing Sheets**



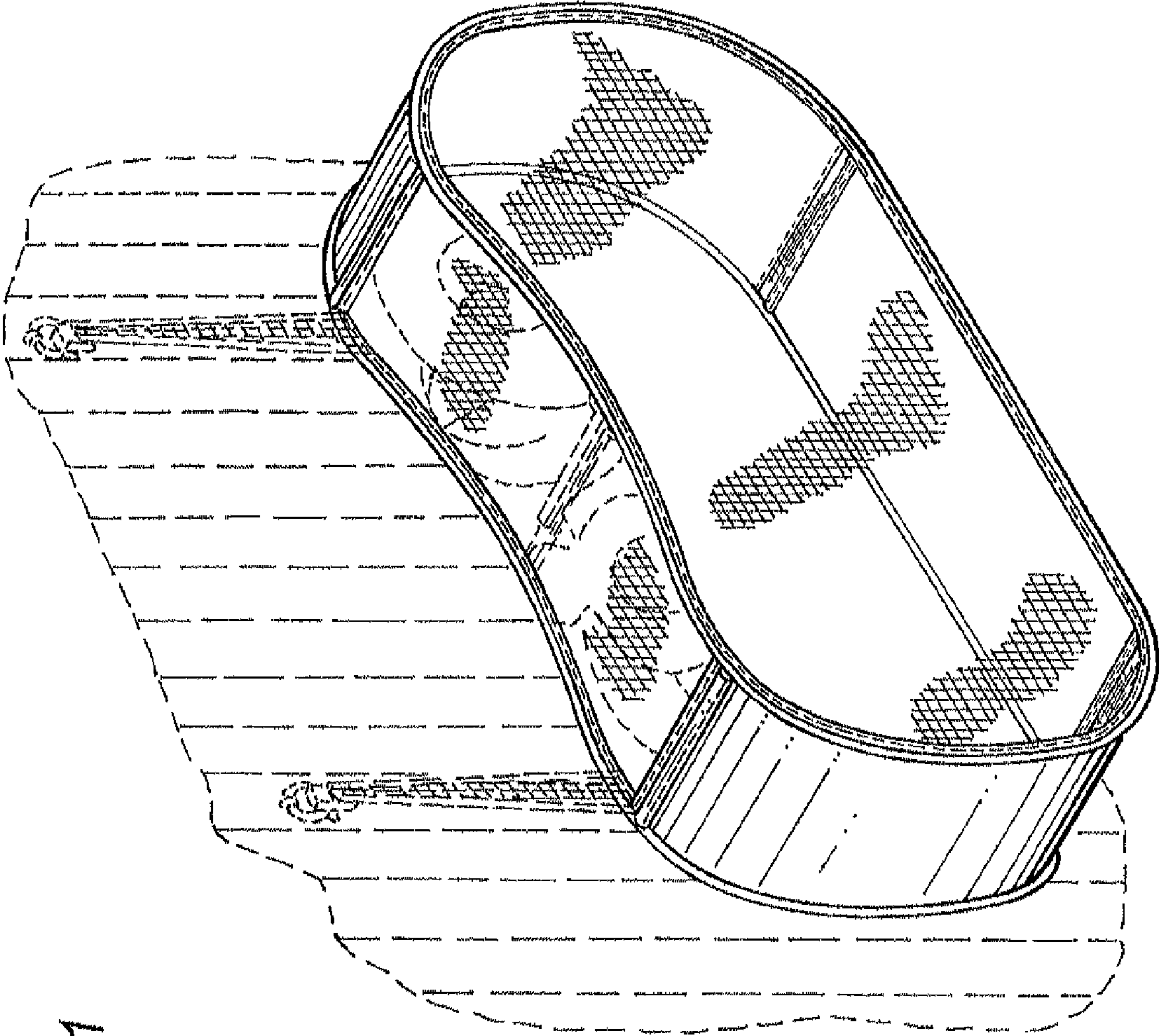


FIG. 1

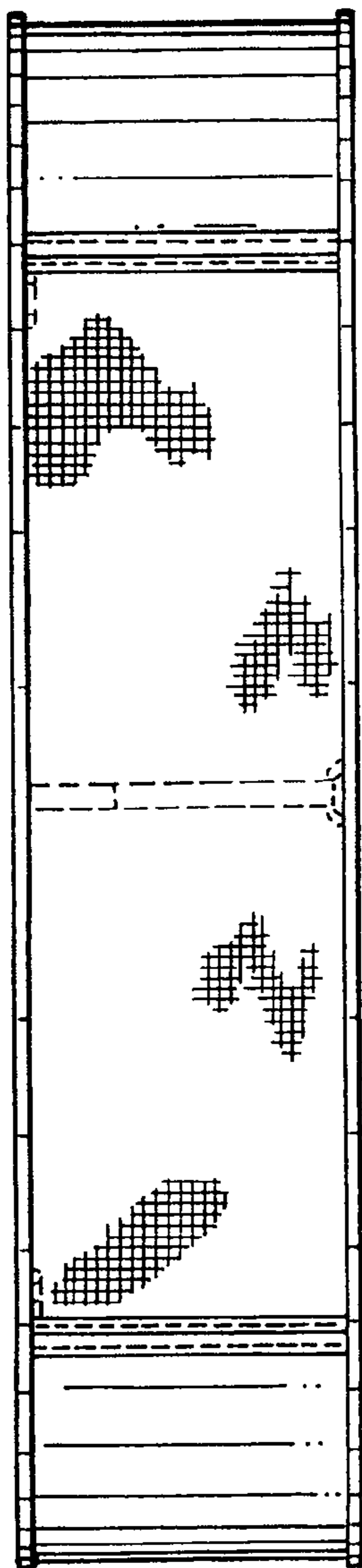


FIG. 2

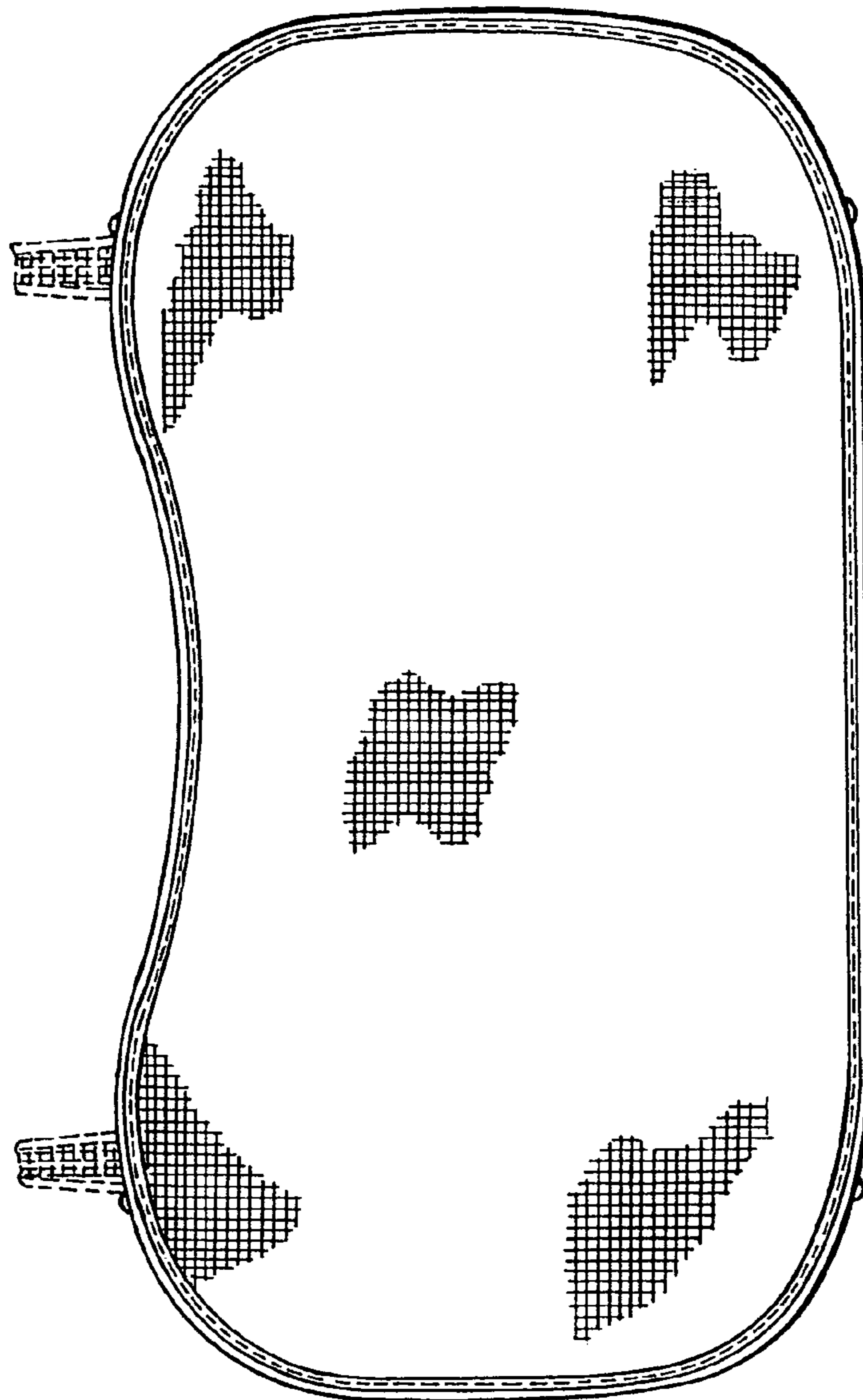


FIG. 3

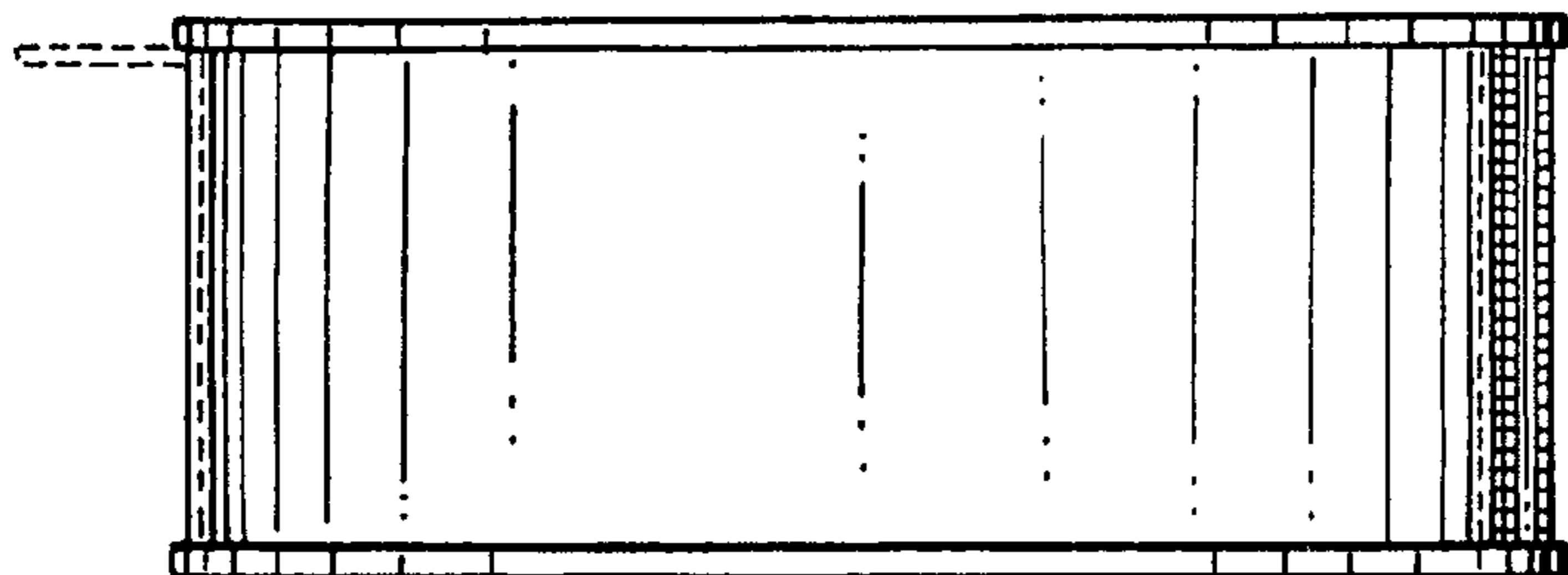


FIG. 4

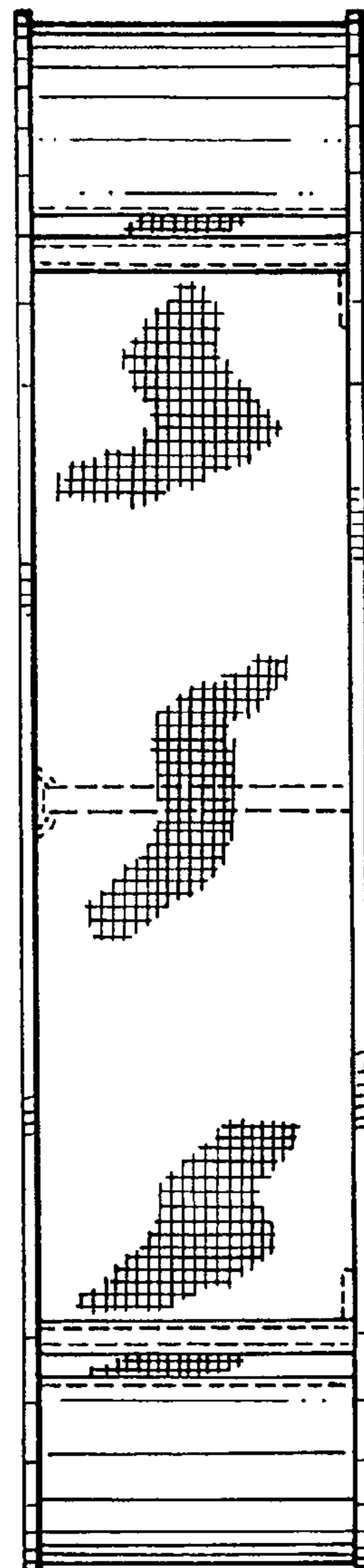


FIG. 5

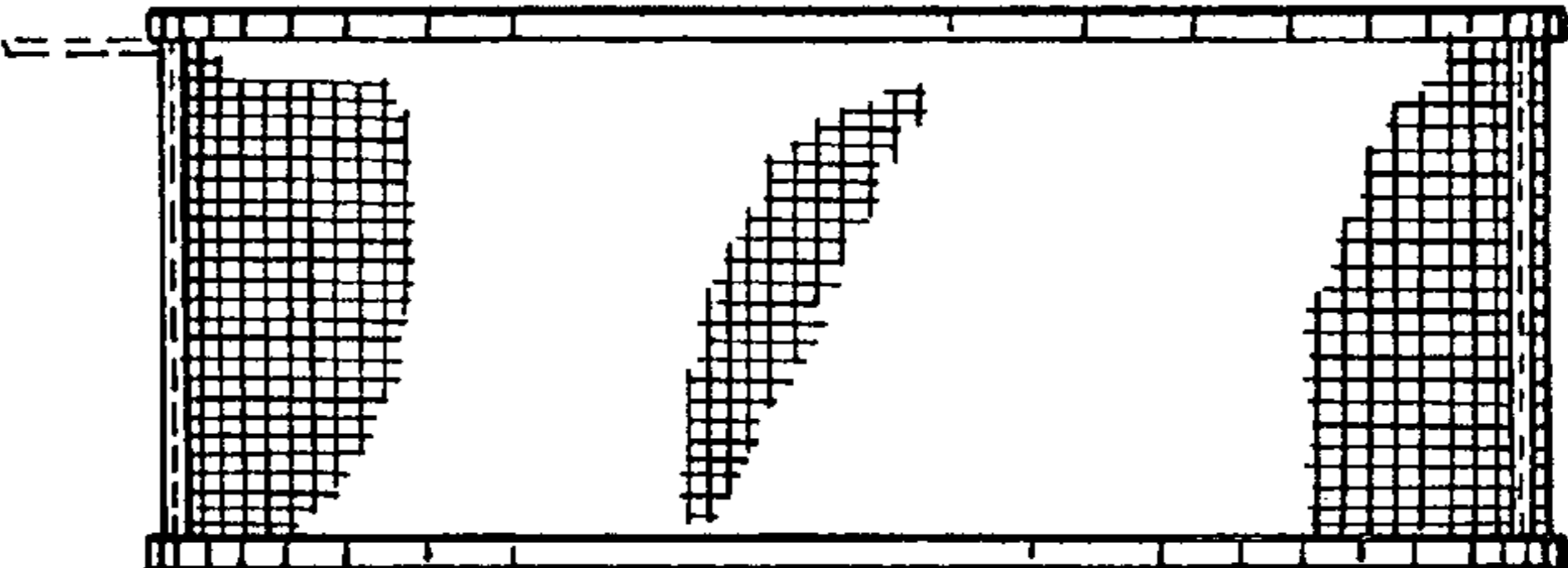


FIG. 7

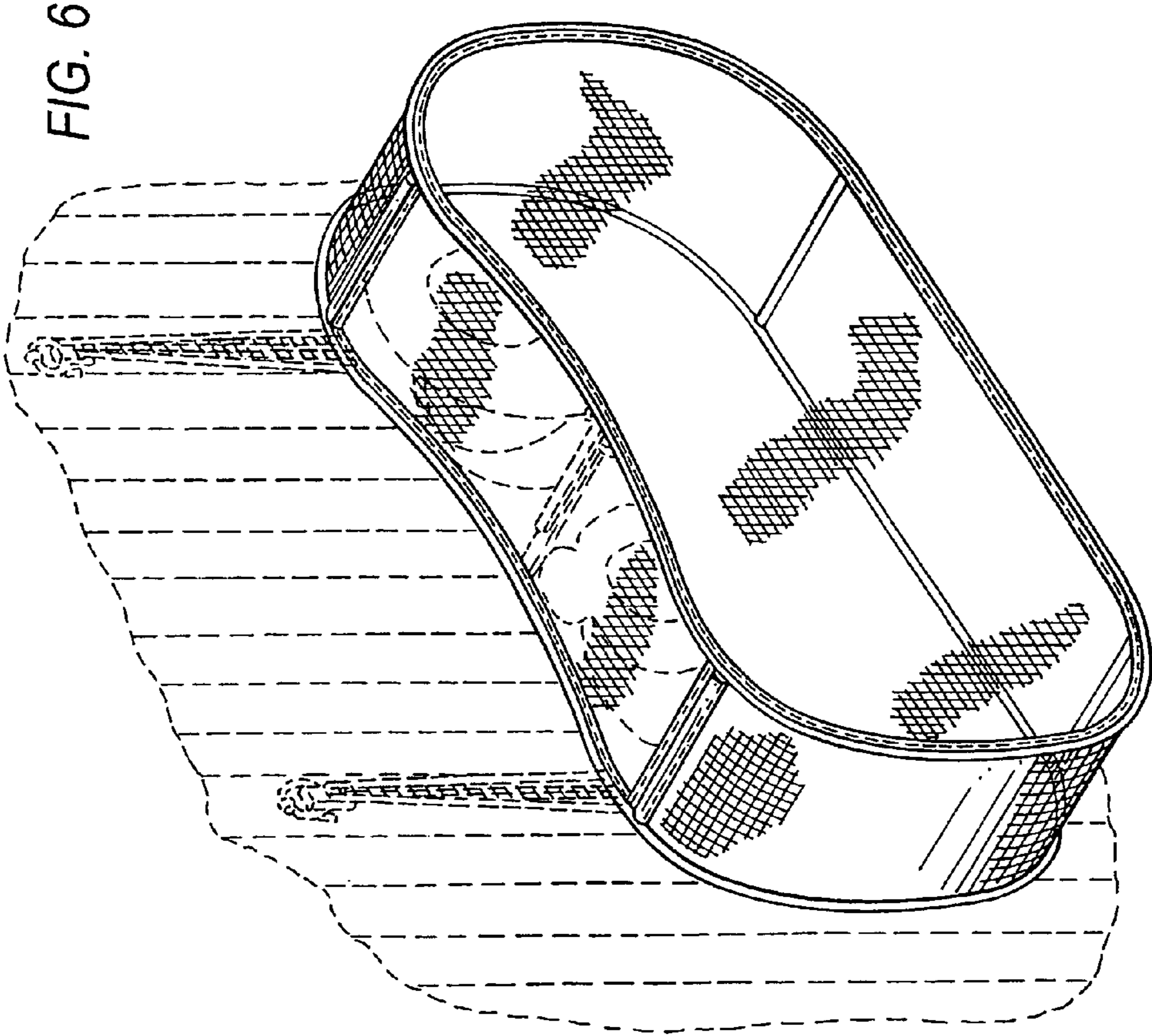


FIG. 6

FIG. 8

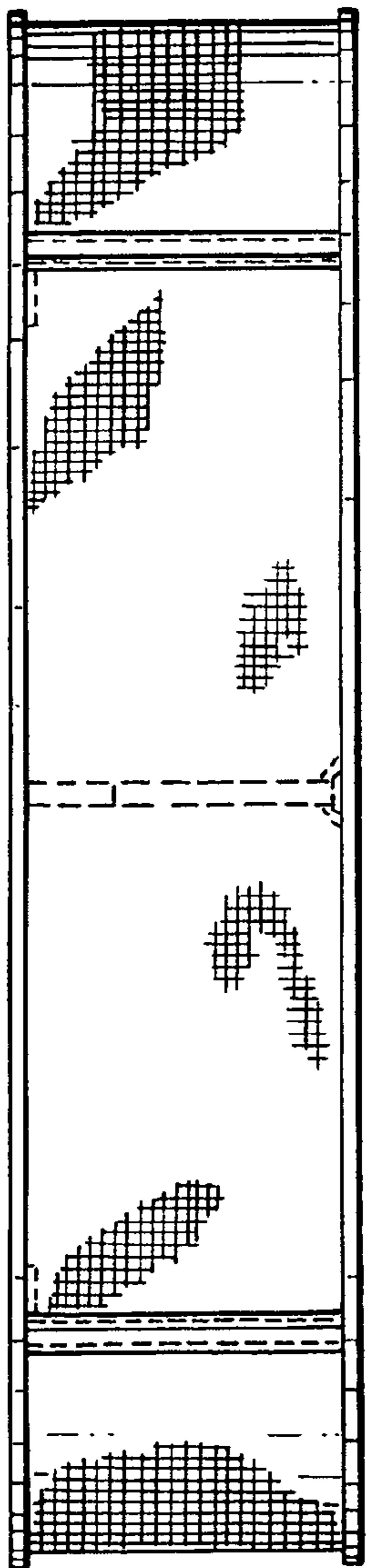


FIG. 9

