



US00D666818S

(12) **United States Design Patent**  
**Mbi**

(10) **Patent No.:** **US D666,818 S**

(45) **Date of Patent:** **\*\* Sep. 11, 2012**

(54) **COMPARTMENTALIZED INFANT SUPPLY CARRIER**

*Primary Examiner* — Jennifer Rivard

(74) *Attorney, Agent, or Firm* — Rosenberg, Klein & Lee

(76) Inventor: **Mavis Prempeh Mbi**, Laurel, MD (US)

(\*\*) Term: **14 Years**

(57) **CLAIM**

The ornamental design for a compartmentalized infant supply carrier, as shown and described.

(21) Appl. No.: **29/409,357**

(22) Filed: **Dec. 22, 2011**

(51) **LOC (9) Cl.** ..... **03-01**

(52) **U.S. Cl.** ..... **D3/284; D3/288; D3/295**

(58) **Field of Classification Search** ..... D3/273,  
D3/276, 280, 283–293, 301, 300, 294, 295;  
190/100–127, 900–903, 1, 11; 150/106,  
150/107, 108, 110, 111, 112, 118; 206/320,  
206/305

See application file for complete search history.

**DESCRIPTION**

FIG. 1 is a perspective view of a compartmentalized infant supply carrier showing an exemplary embodiment of my present design;

FIG. 2 is a front view thereof;

FIG. 3 is a rear view thereof;

FIG. 4 is a left view thereof;

FIG. 5 is a right view thereof;

FIG. 6 is a top plan view thereof;

FIG. 7 is a bottom plan view; and,

FIG. 8 is a perspective view thereof with compartments in an opened configuration.

The broken lines shown in FIG. 8 are for illustrative purposes only and form no part of the claimed design.

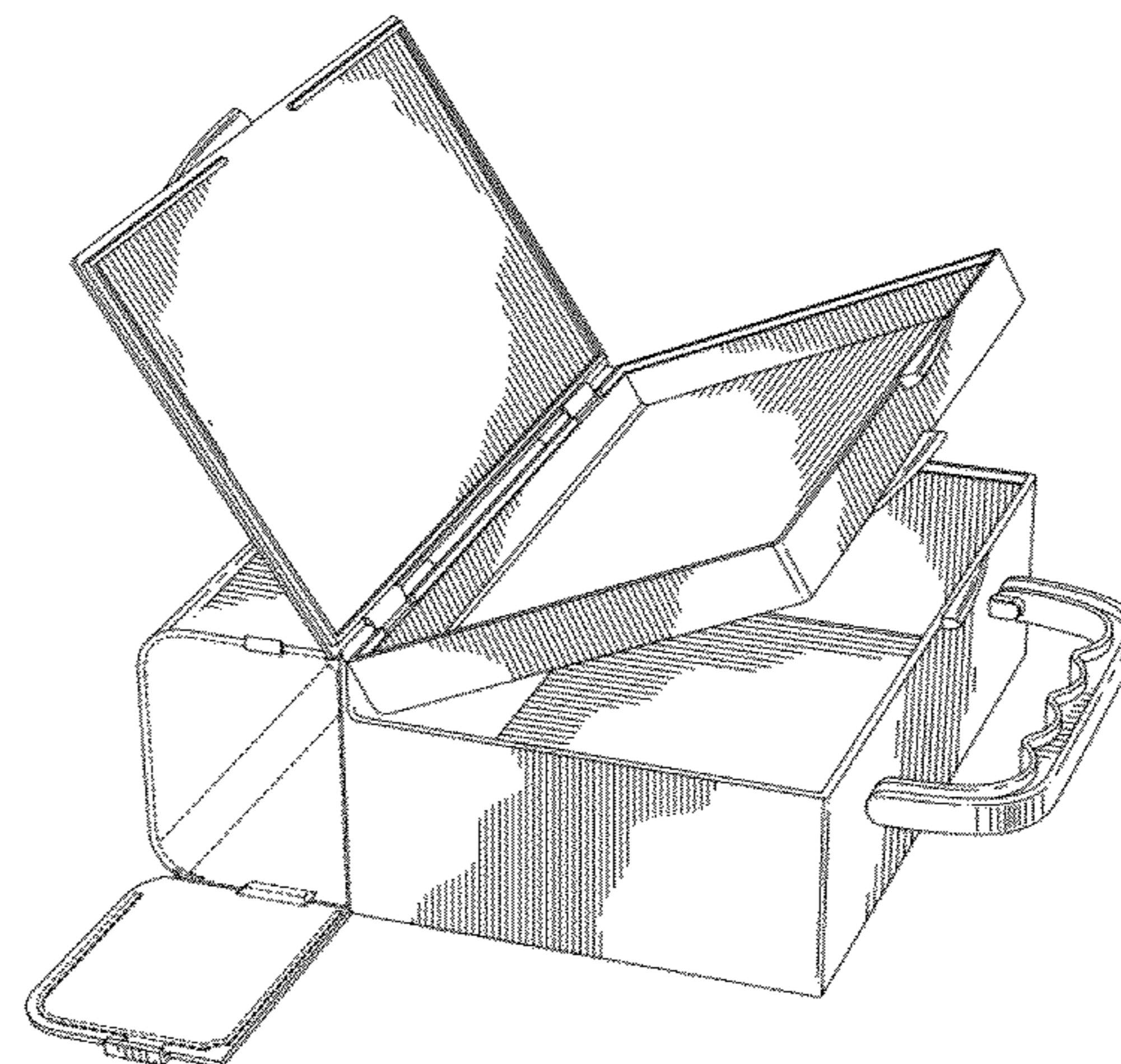
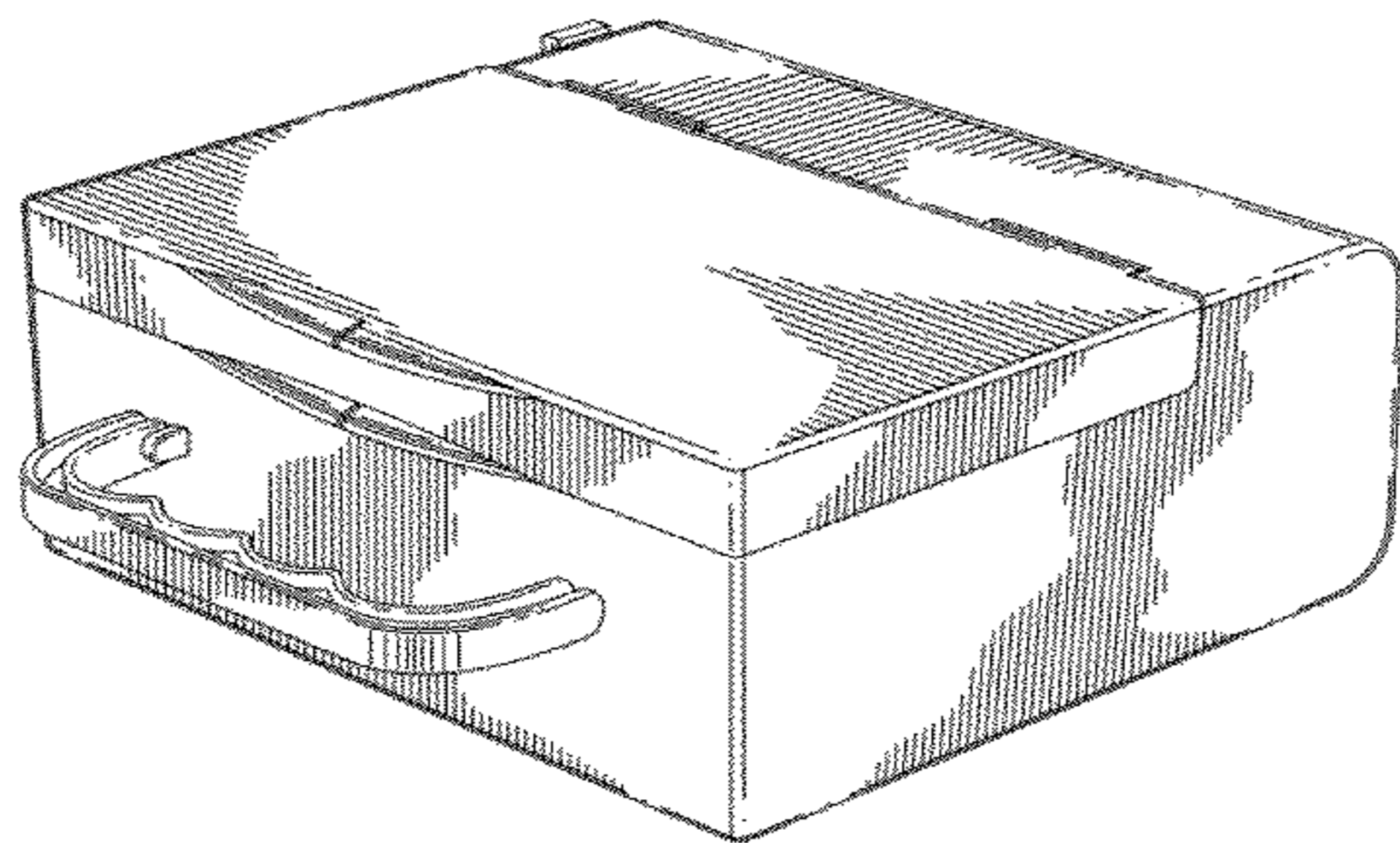
(56) **References Cited**

**U.S. PATENT DOCUMENTS**

D370,563 S *	6/1996	Sijmons	.....	D3/276
D453,267 S *	2/2002	Beedham	.....	D3/276
D457,316 S *	5/2002	Swade	.....	D3/301
D474,889 S *	5/2003	Ko	.....	D3/296
D591,046 S *	4/2009	Lee et al.	.....	D3/285

\* cited by examiner

**1 Claim, 6 Drawing Sheets**



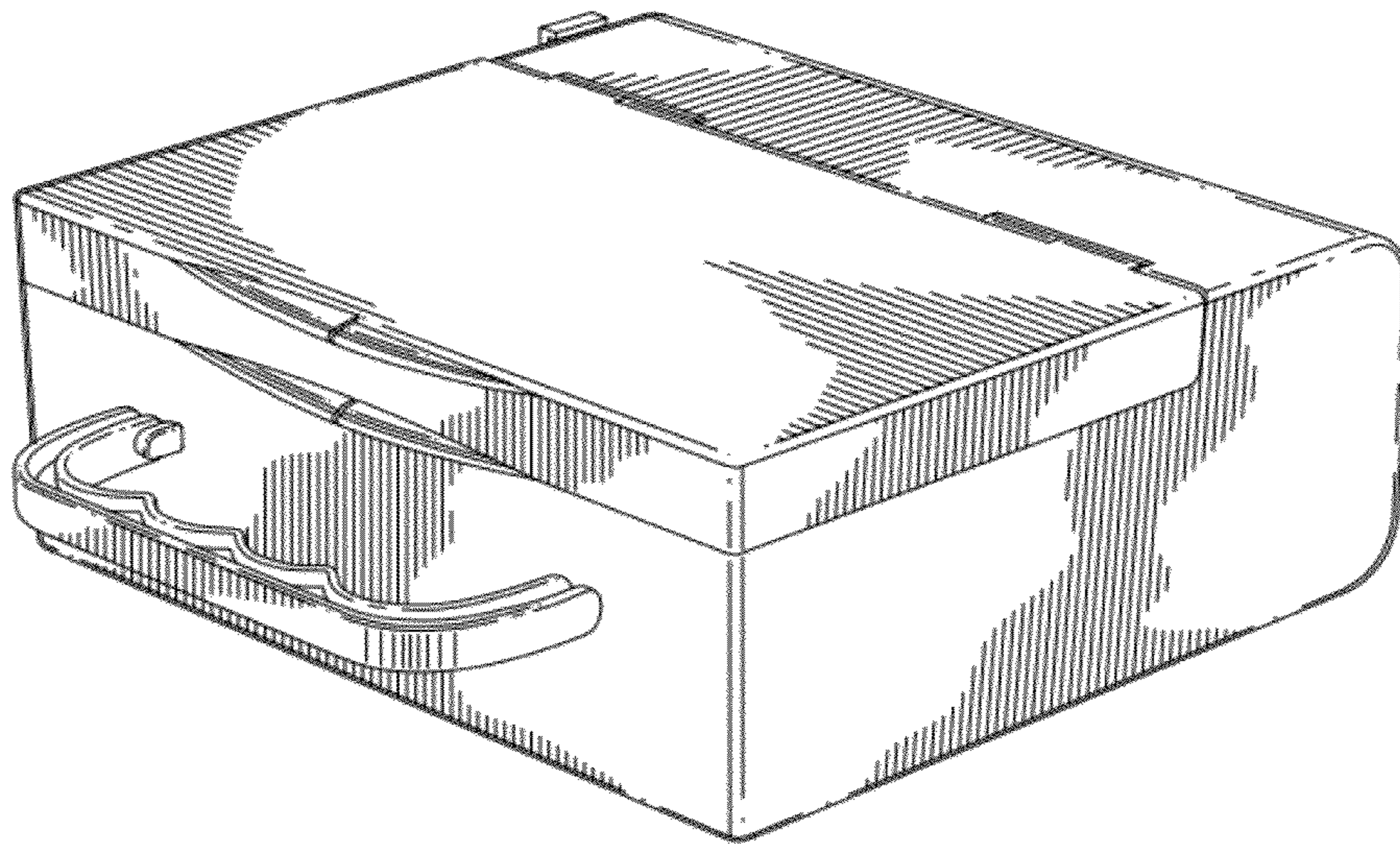


FIG. 1

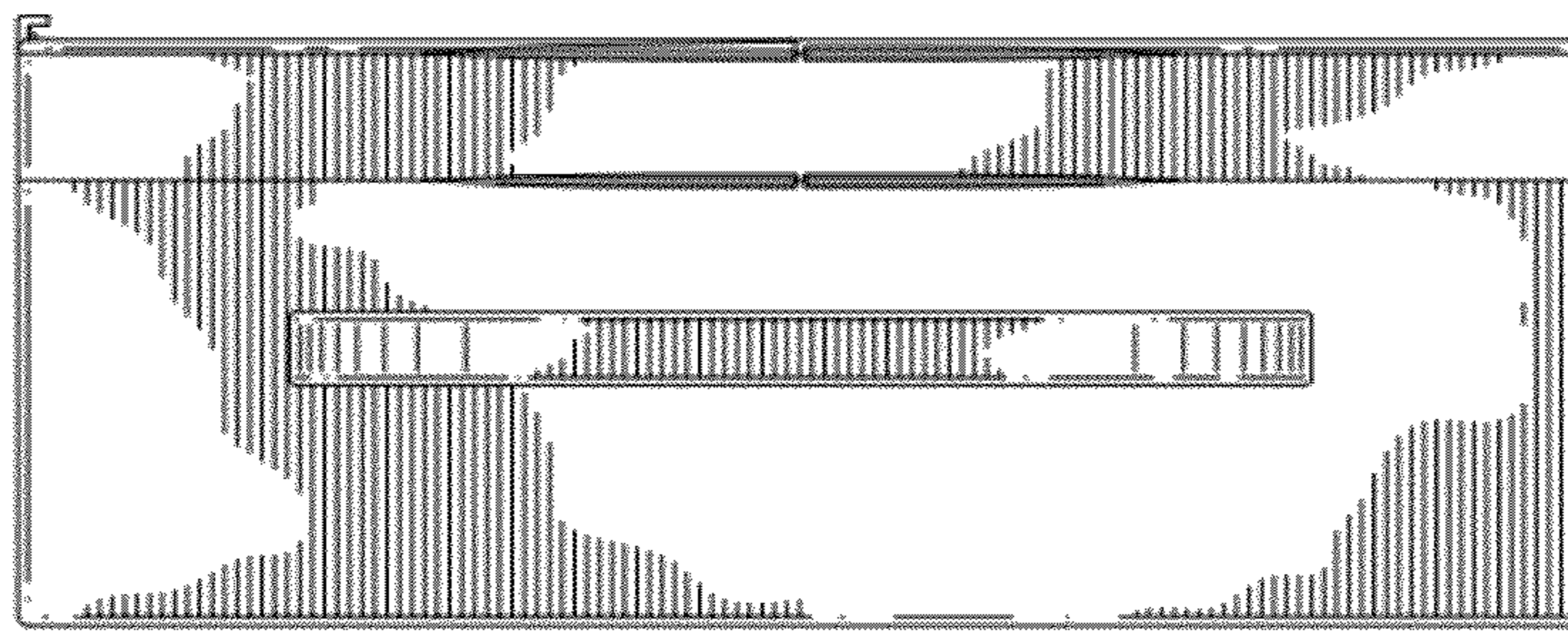


FIG. 2

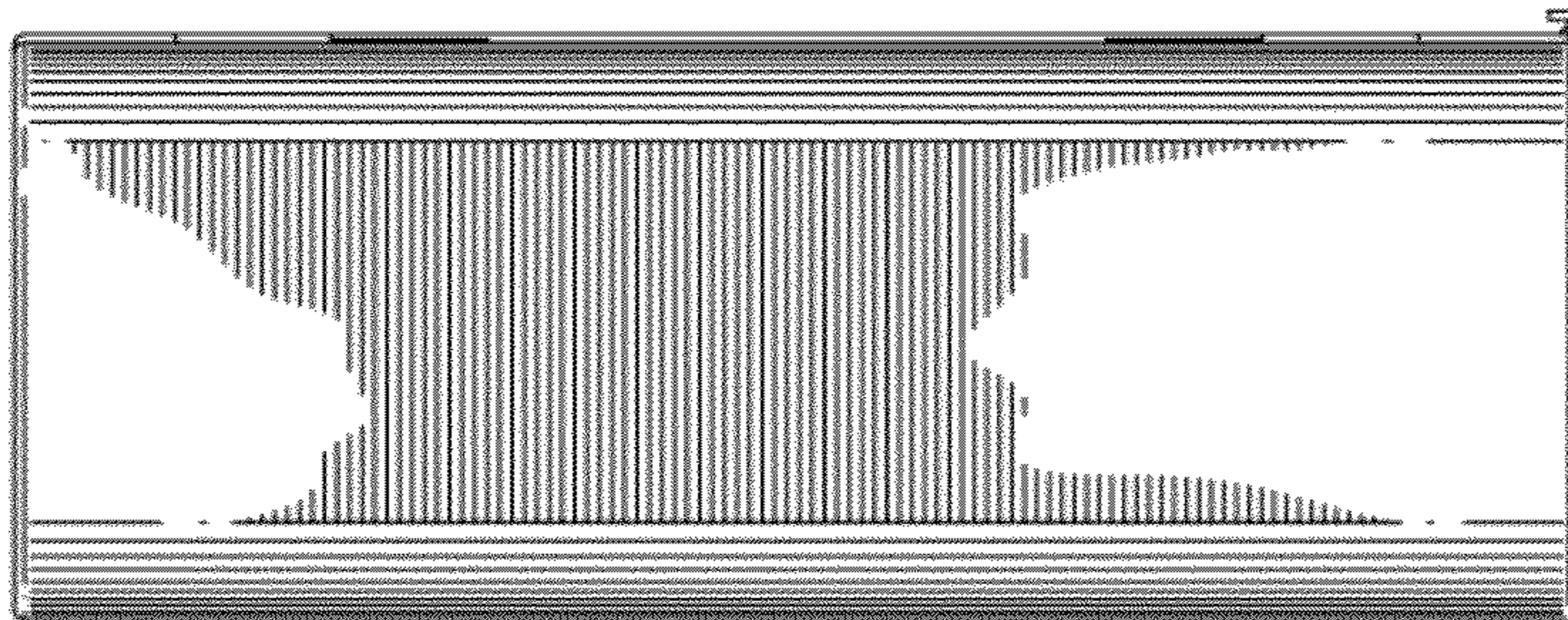


FIG. 3

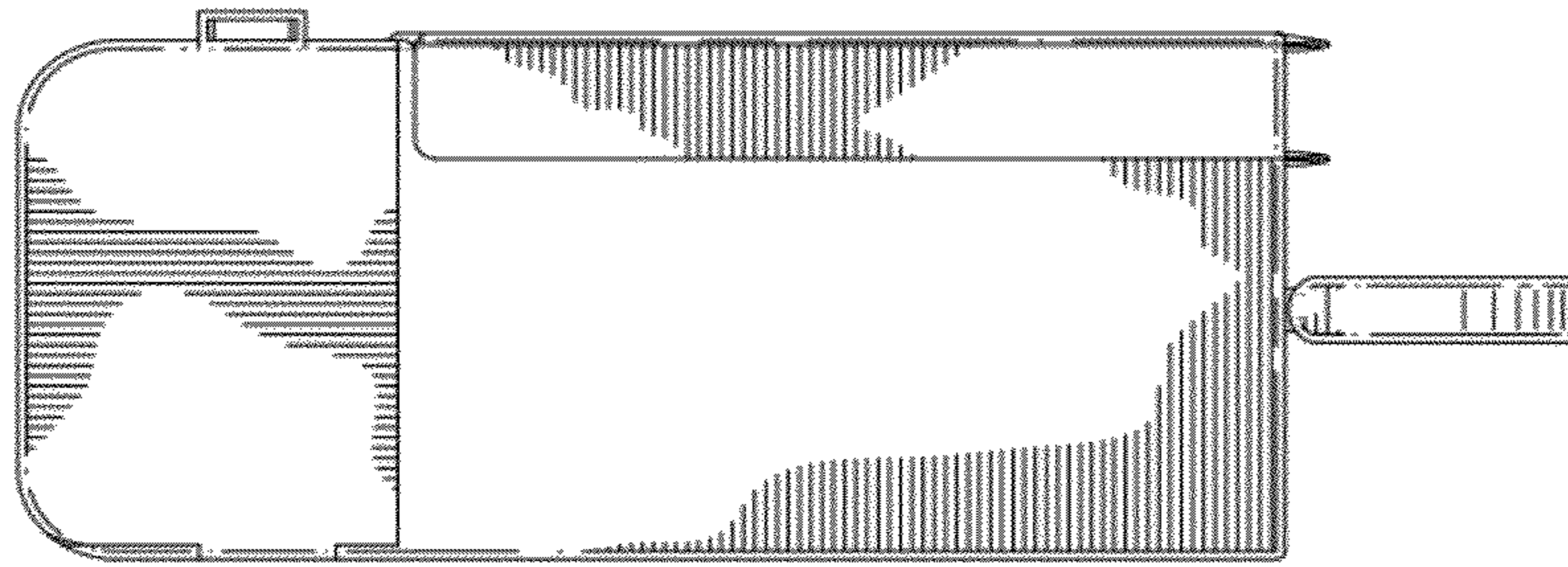


FIG. 4

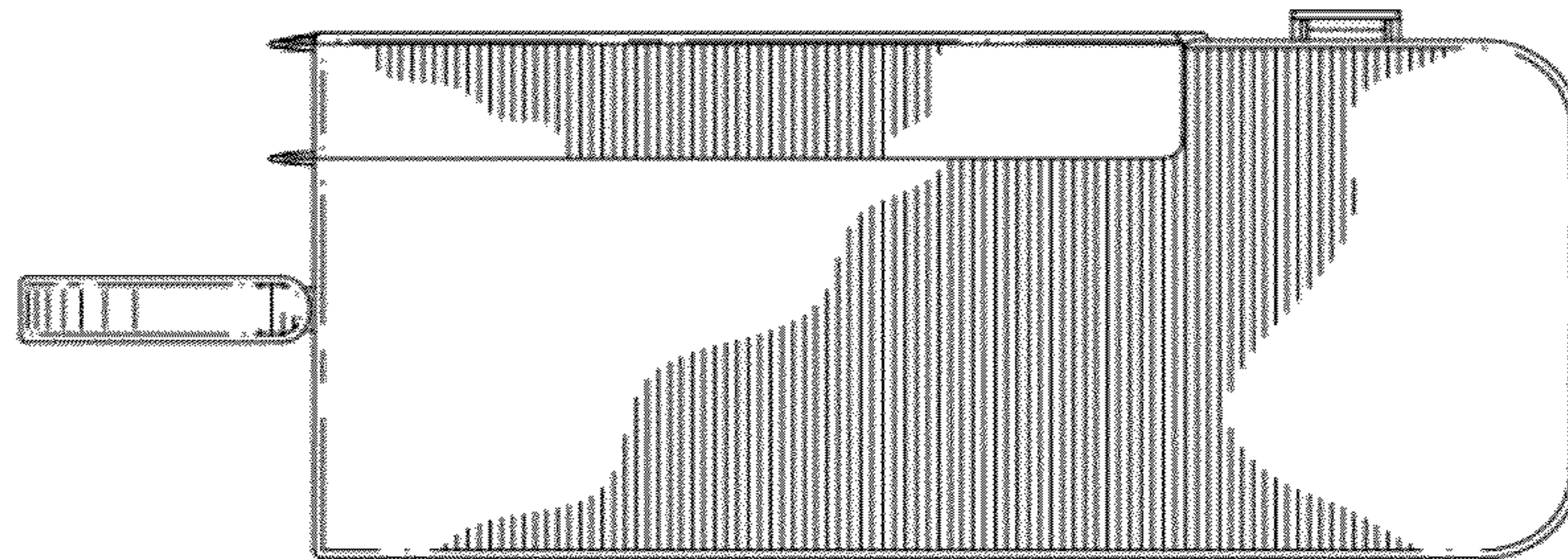


FIG. 5

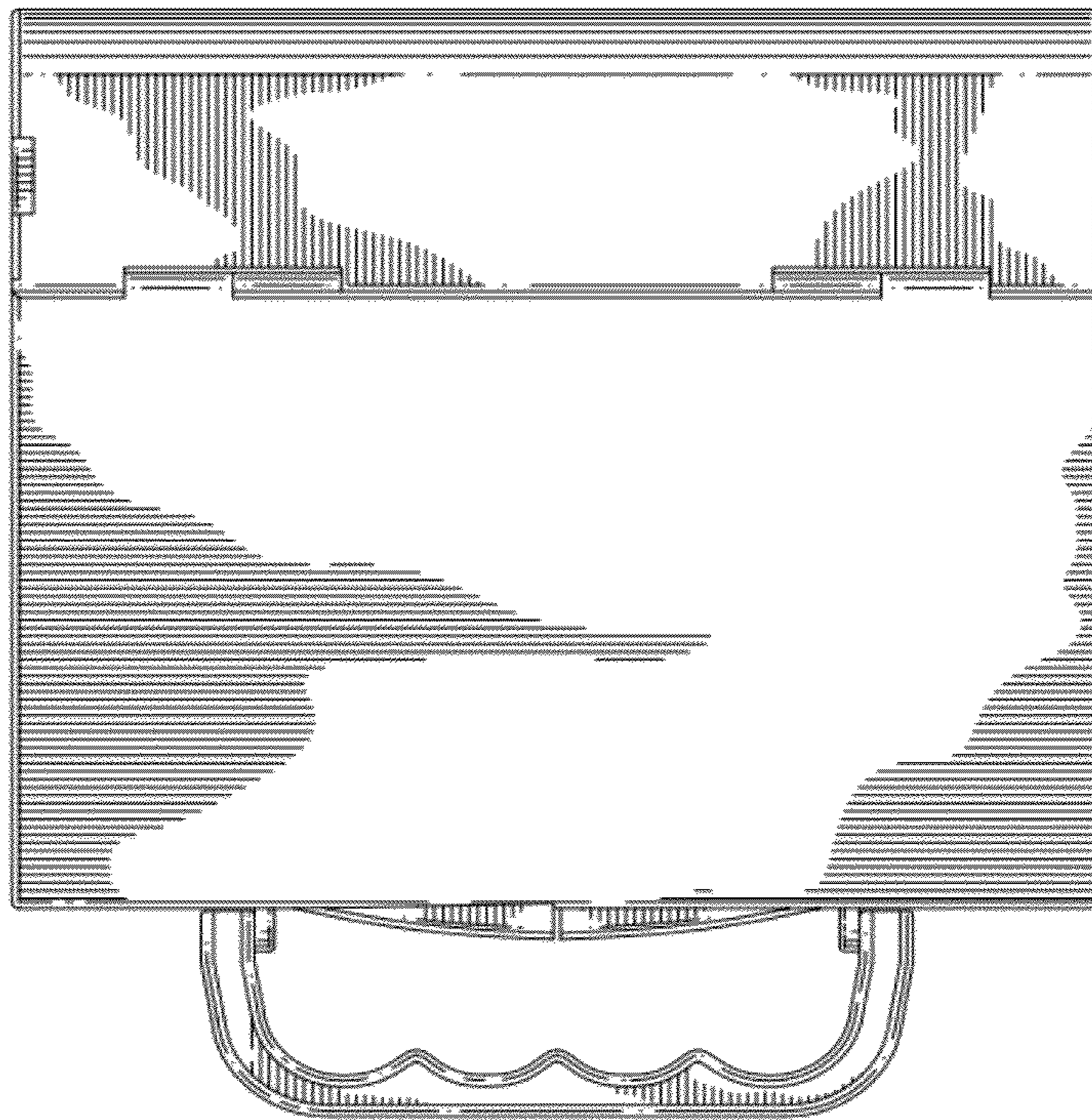


FIG. 6

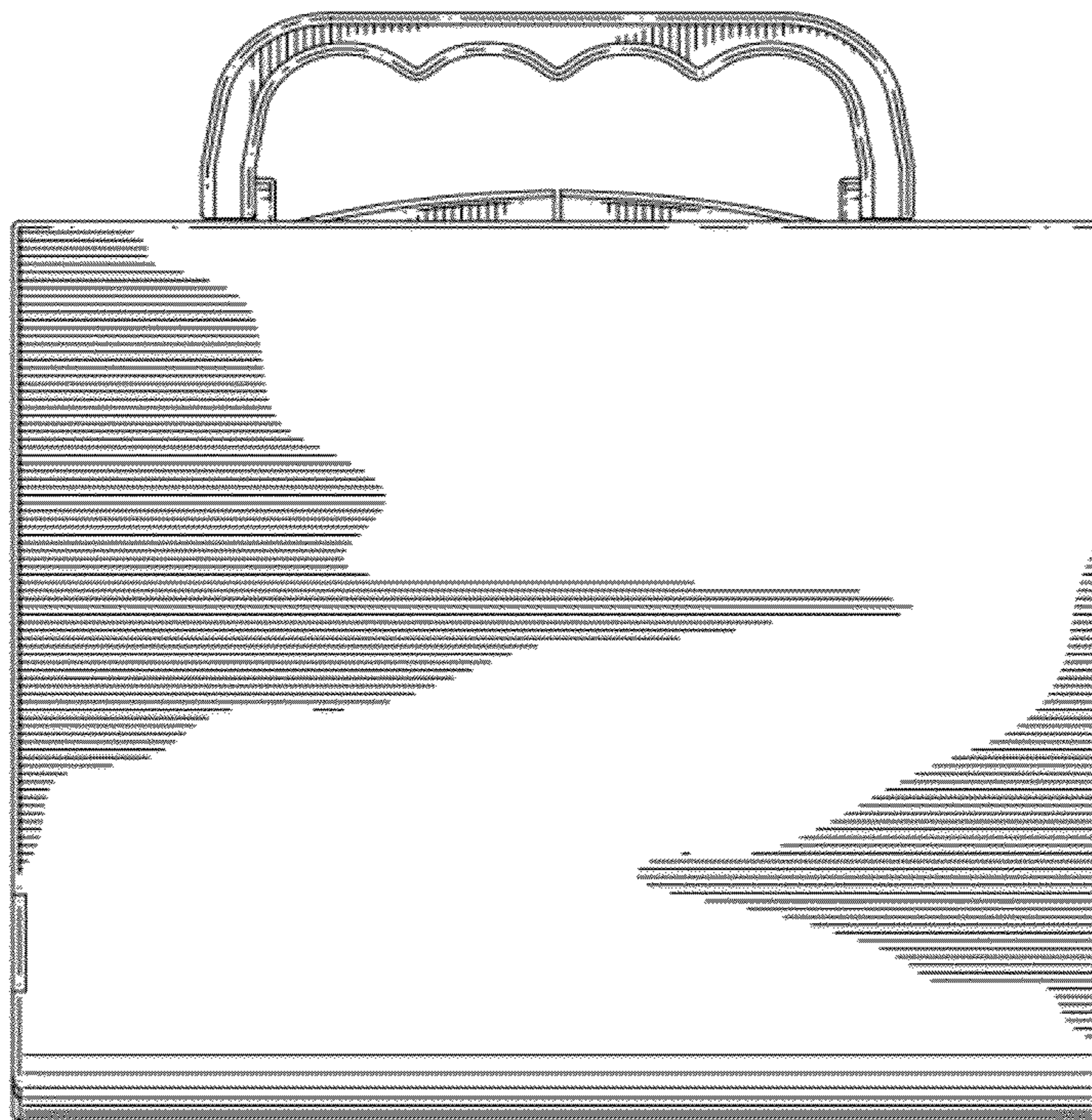


FIG. 7

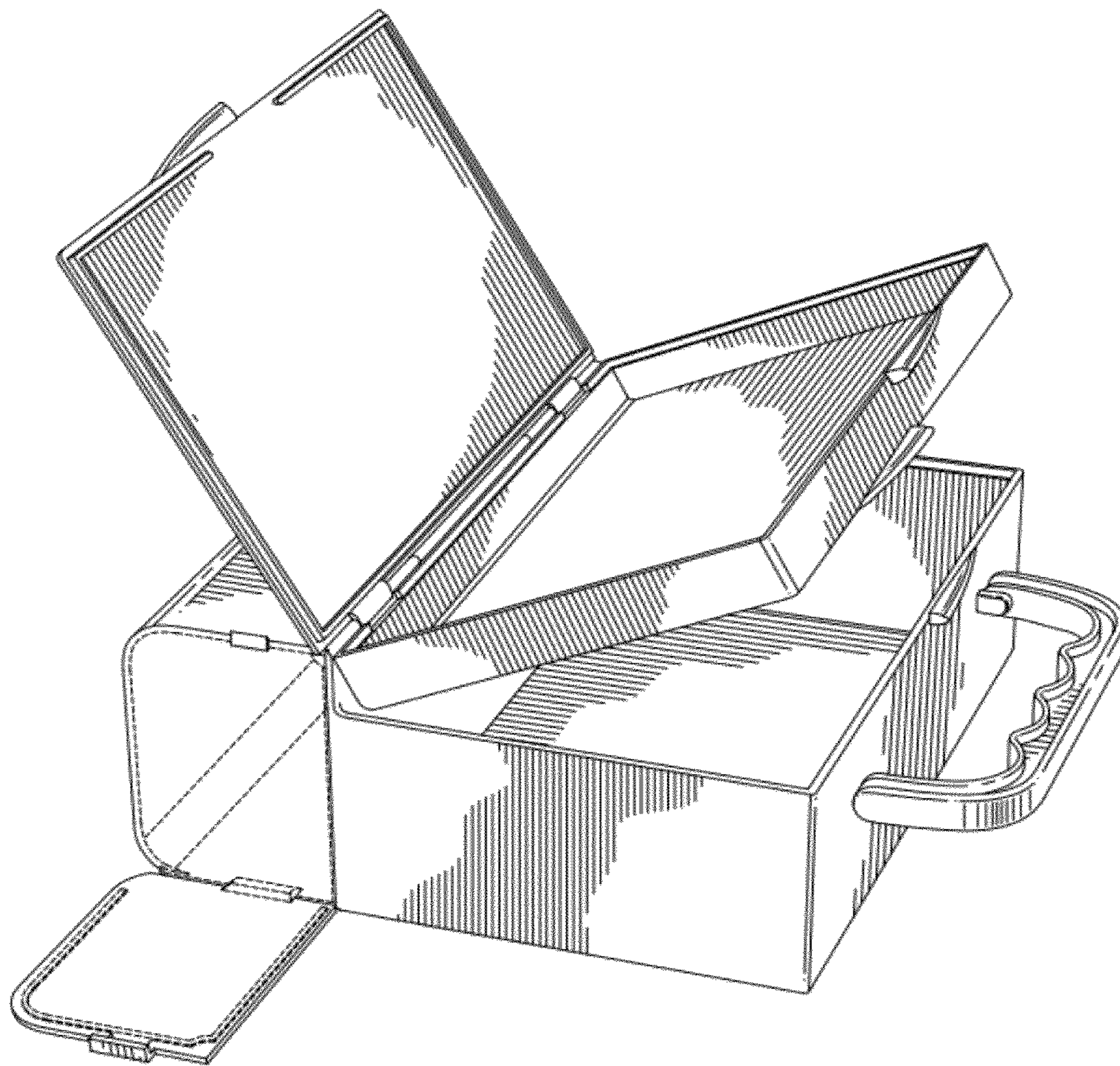


FIG.8