

US00D666816S

(12) **United States Design Patent**  
**Weber**

(10) **Patent No.:** **US D666,816 S**

(45) **Date of Patent:** **\*\* Sep. 11, 2012**

(54) **SUITCASE WITH DRAWERS**

(76) Inventor: **Amos G. Weber**, Sarasota, FL (US)

(\*\*) Term: **14 Years**

(21) Appl. No.: **29/389,347**

(22) Filed: **Apr. 11, 2011**

(51) **LOC (9) Cl.** ..... **03-01**

(52) **U.S. Cl.** ..... **D3/279; D3/284**

(58) **Field of Classification Search** ..... D3/272,  
D3/273, 274, 276, 279, 289, 297, 321, 284;  
190/1, 3, 6, 7, 9, 13 R, 14, 13 F, 15.1, 18 A,  
190/108, 100-107, 109-114, 115-127, 903  
See application file for complete search history.

(56) **References Cited**

**U.S. PATENT DOCUMENTS**

2,001,157	A	*	5/1935	Ritter, Jr.	.....	190/13 R
D315,986	S	*	4/1991	Blevins	.....	D3/279
D317,082	S	*	5/1991	Madison	.....	D3/279
5,054,589	A		10/1991	Bomes et al.		
6,000,509	A		12/1999	Chisholm		

D582,673	S	*	12/2008	Mangano	.....	D3/279
7,779,976	B2		8/2010	Mangano		
D625,517	S	*	10/2010	Rossi et al.	.....	D3/272
2007/0089954	A1	*	4/2007	Eardley et al.	.....	190/110
2007/0295570	A1	*	12/2007	Campbell et al.	.....	190/15 R
2010/0276241	A1		11/2010	Malone		

\* cited by examiner

*Primary Examiner* — Jennifer Rivard

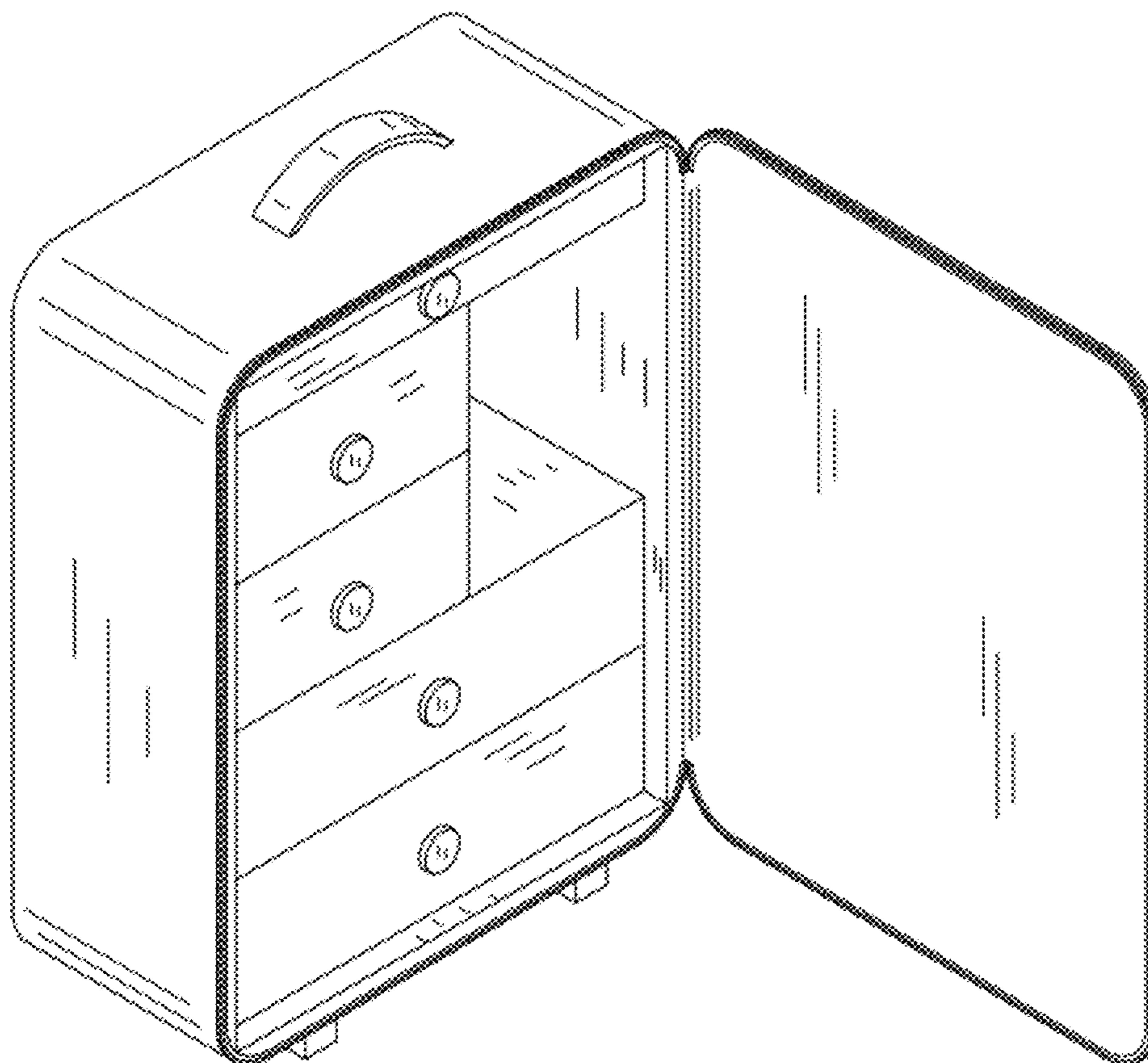
(57) **CLAIM**

The ornamental design for a suitcase with drawers, as shown and described.

**DESCRIPTION**

FIG. 1 is a front elevation view of a suitcase with drawers showing my new design;  
FIG. 2 is a rear elevation view thereof;  
FIG. 3 is a right elevation view thereof;  
FIG. 4 is a left elevation view thereof;  
FIG. 5 is a top plan view thereof;  
FIG. 6 is a bottom plan view thereof; and,  
FIG. 7 is an isometric view thereof.

**1 Claim, 7 Drawing Sheets**



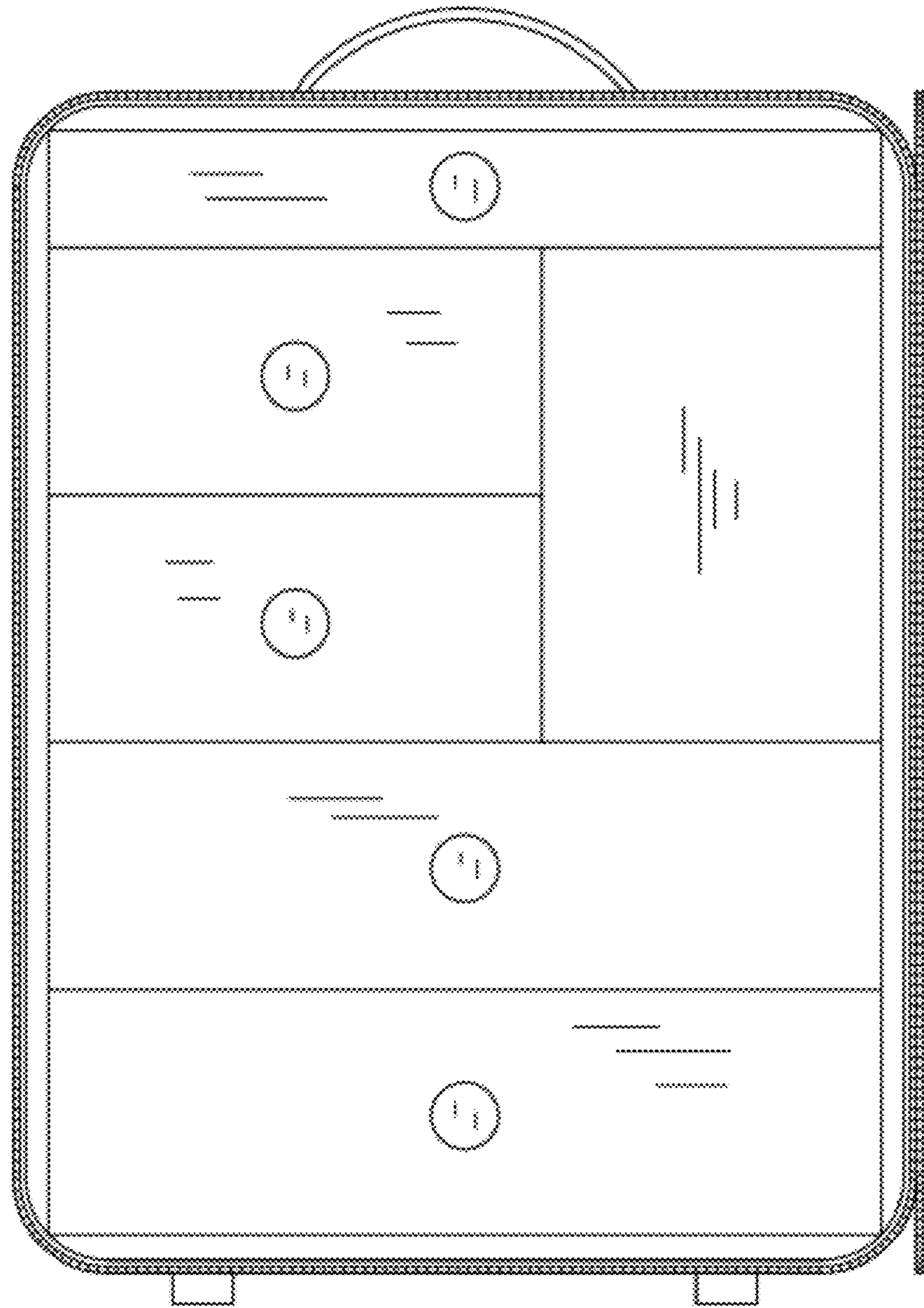


FIG. 1

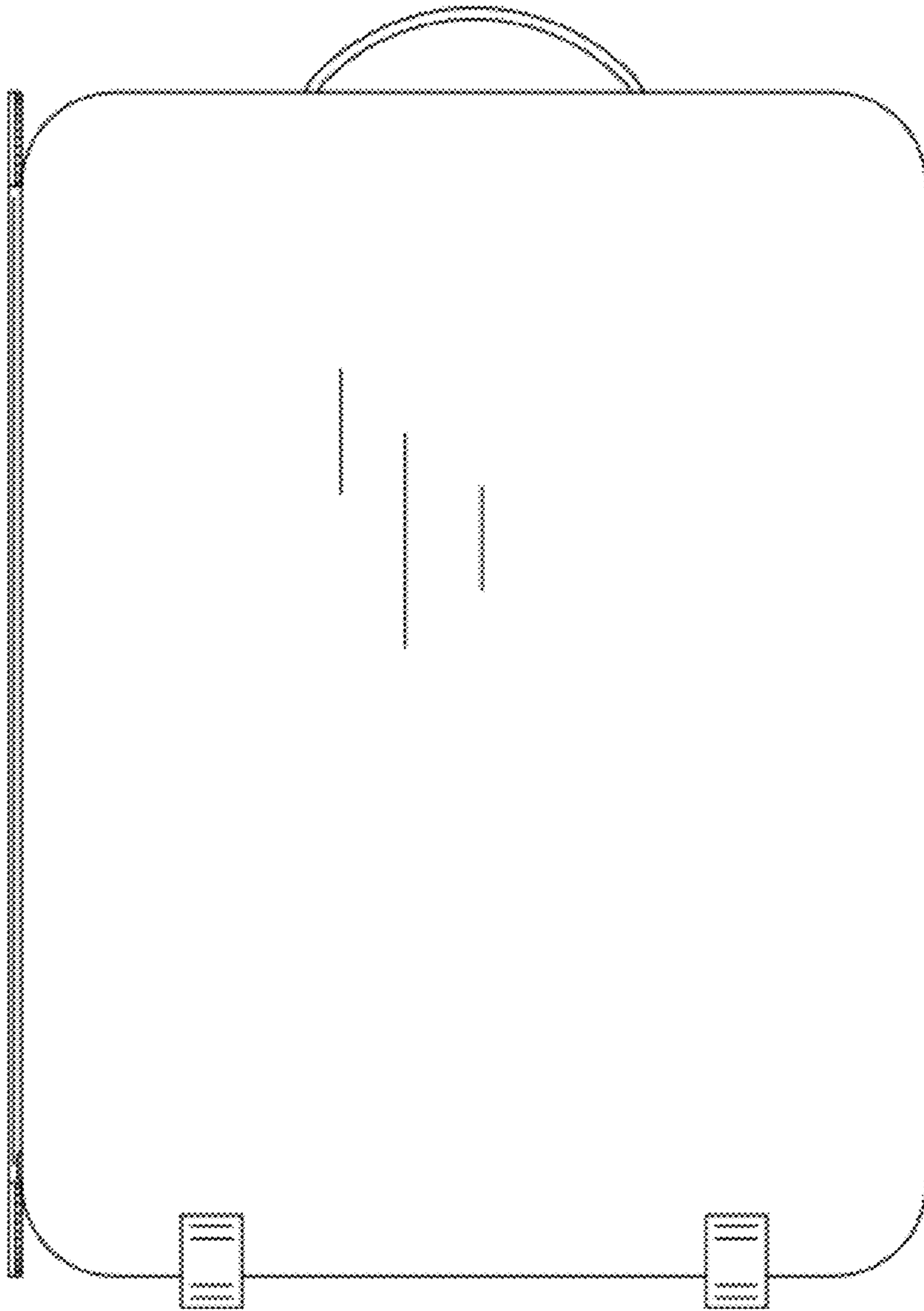


FIG. 2

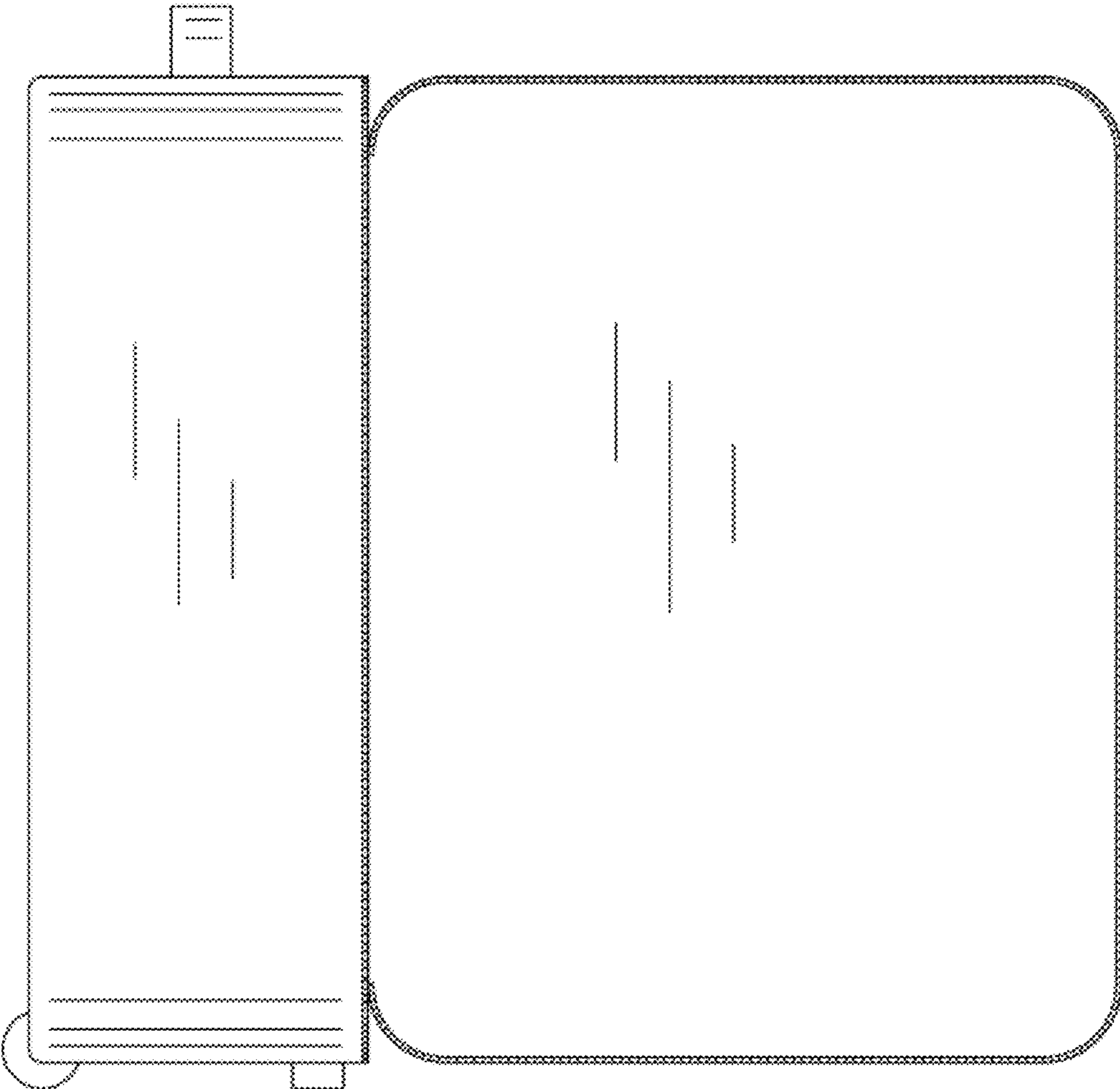


FIG. 3

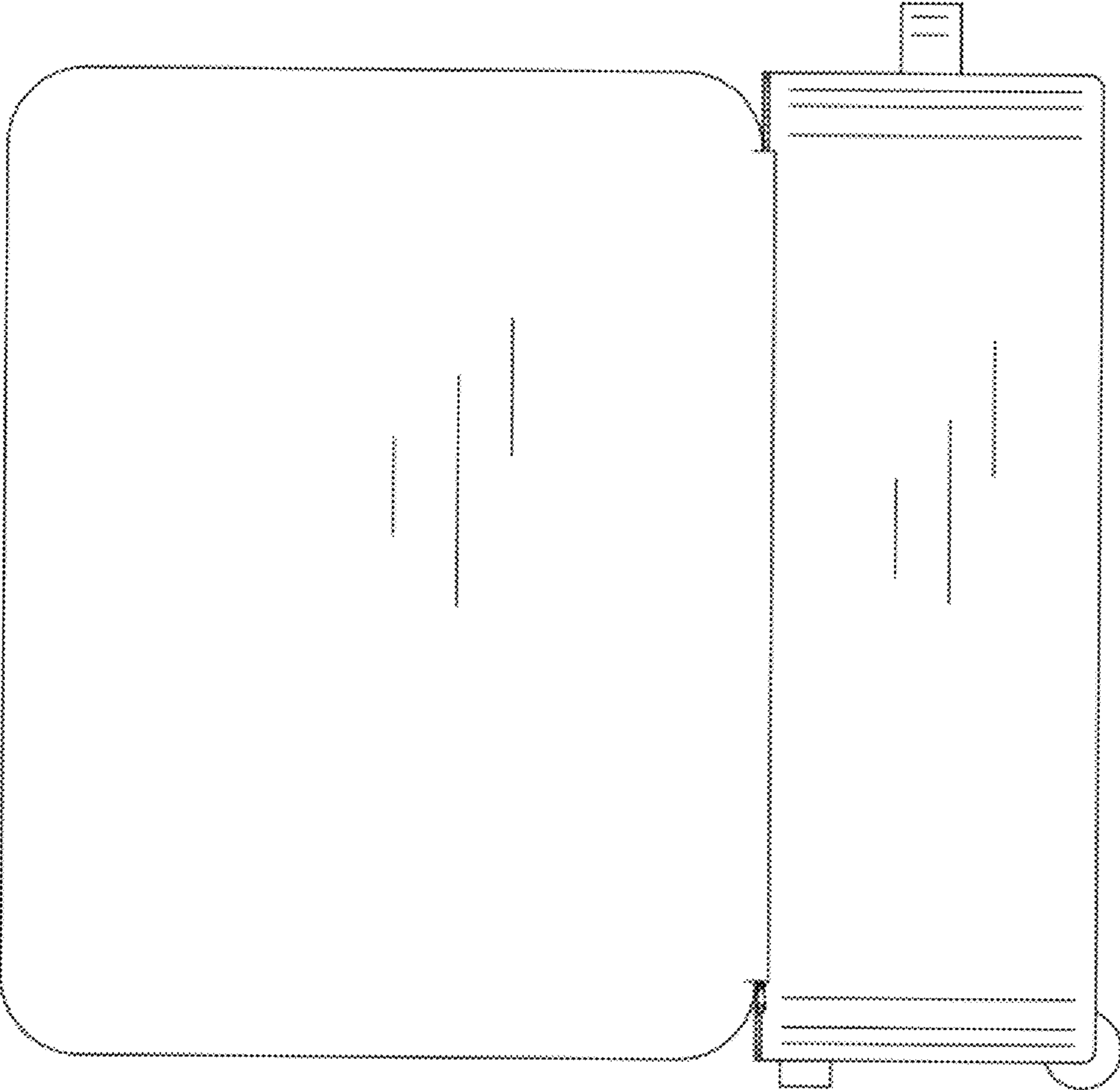


FIG. 4



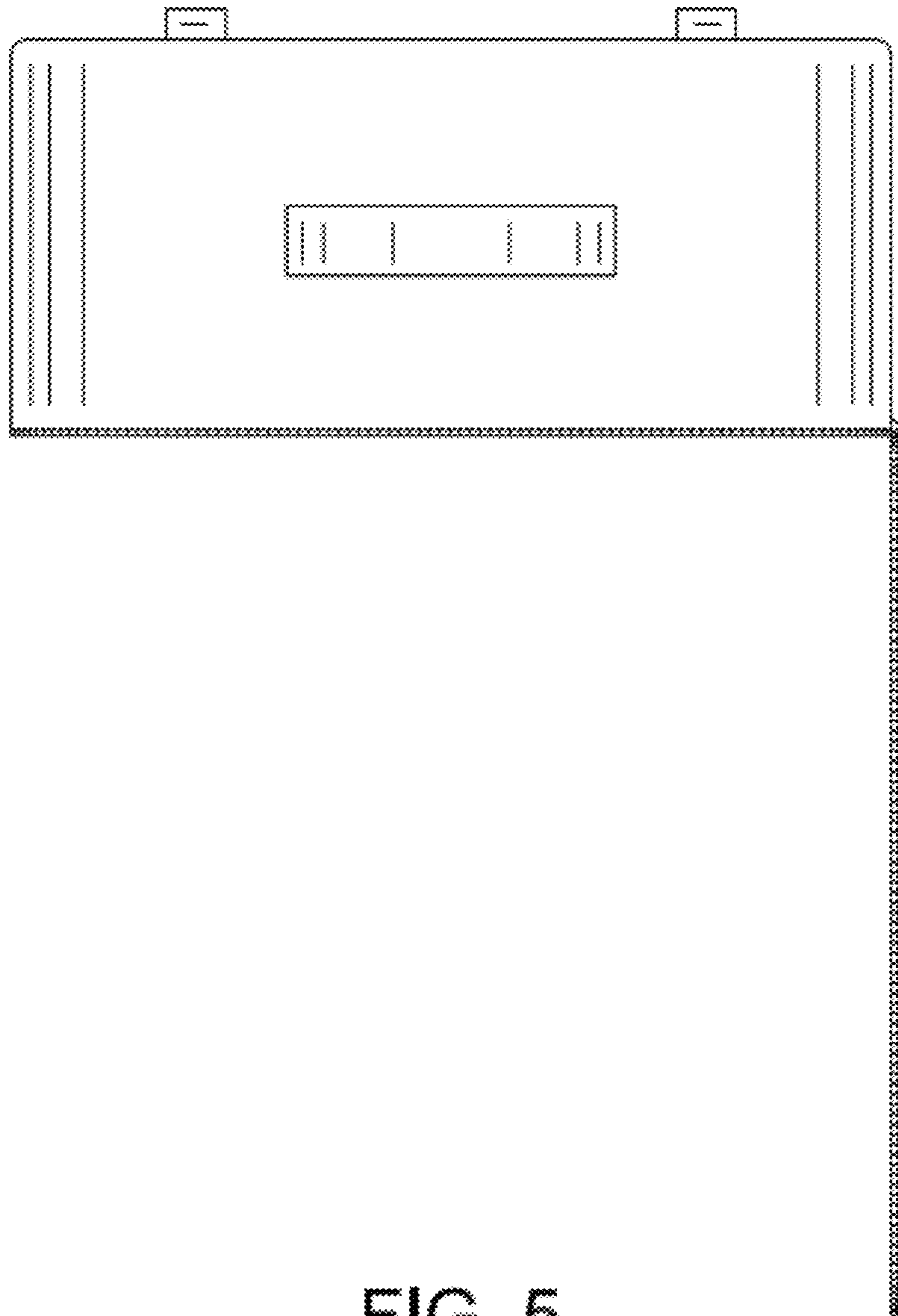


FIG. 5

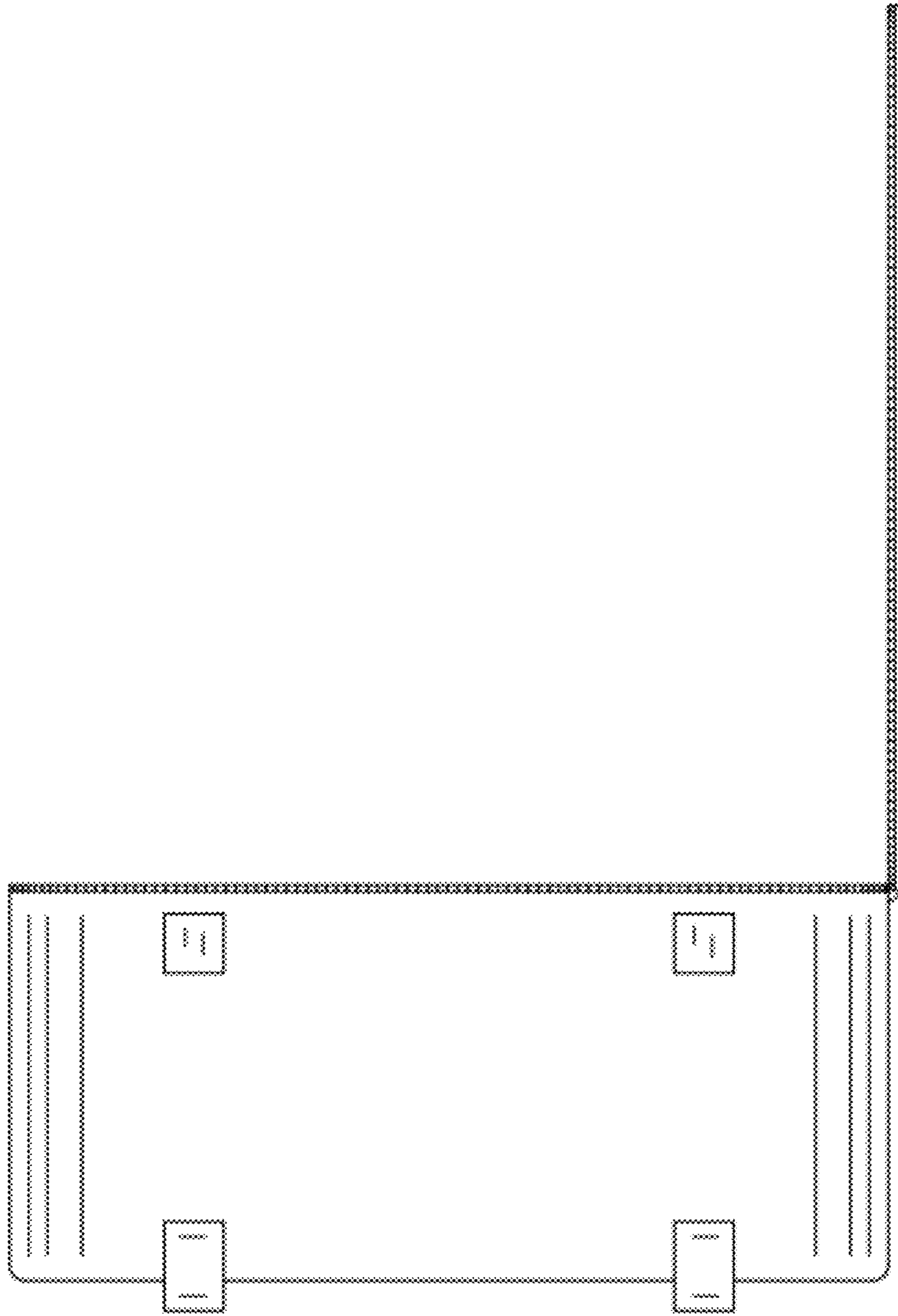


FIG. 6

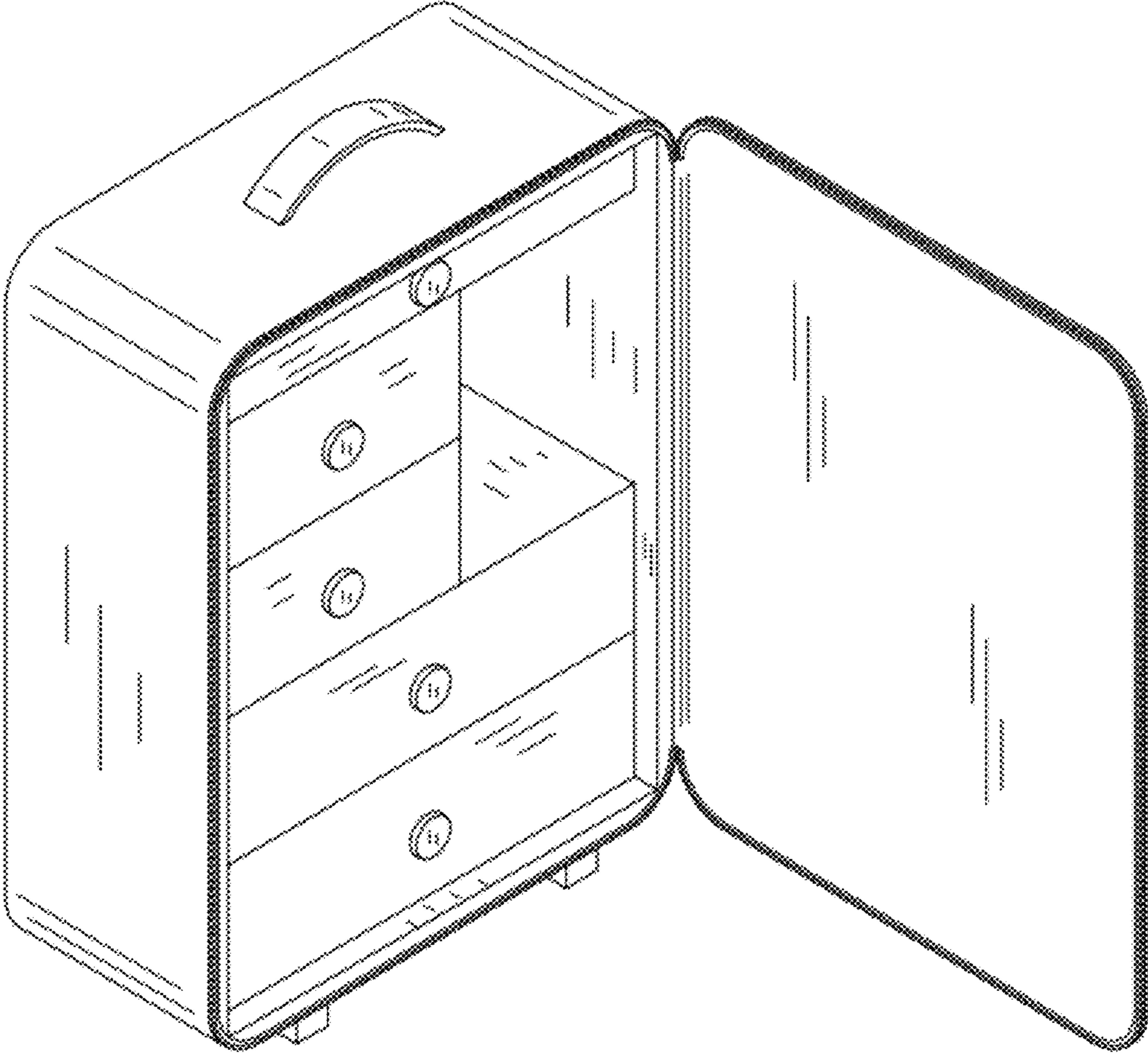


FIG. 7