



US00D666815S

(12) **United States Design Patent**
Janus

(10) **Patent No.:** **US D666,815 S**
(45) **Date of Patent:** **** Sep. 11, 2012**

(54) **COMBINED TABLET COMPUTER CASE AND EASEL**

(75) Inventor: **Joseph Janus**, New York, NY (US)

(73) Assignee: **JenUSA Inc.**, New York, NY (US)

(**) Term: **14 Years**

(21) Appl. No.: **29/396,823**

(22) Filed: **Jul. 7, 2011**

(51) **LOC (9) Cl.** **03-01**

(52) **U.S. Cl.** **D3/274; D3/289**

(58) **Field of Classification Search** D3/273,
D3/276, 280, 283–293, 301, 300, 294; 190/100–127,
190/900–903, 1, 11; 150/106, 107, 108,
150/110, 111, 112, 118; 206/320, 305; 383/4
See application file for complete search history.

(56) **References Cited**

U.S. PATENT DOCUMENTS

D254,819 S * 4/1980 Harrison D3/286
4,872,538 A * 10/1989 Fournier 190/111

(Continued)

Primary Examiner — Jennifer Rivard

(74) *Attorney, Agent, or Firm* — Venable LLP; Keith G. Haddaway

(57) **CLAIM**

The ornamental design for a combined tablet computer case and easel, as shown and described.

DESCRIPTION

FIG. 1 is a perspective view of a combined tablet computer case and easel according to the present invention.

FIG. 2 is a front view of a combined tablet computer case and easel according to the present invention.

FIG. 3 is a back view of a combined tablet computer case and easel according to the present invention.

FIG. 4 left side view of a combined tablet computer case and easel according to the present invention.

FIG. 5 is a right side view of a combined tablet computer case and easel according to the present invention.

FIG. 6 is a top view of a combined tablet computer case and easel according to the present invention.

FIG. 7 is a bottom view of a combined tablet computer case and easel according to the present invention.

FIG. 8 is a perspective view of the combined tablet computer case and easel of FIG. 1 according to the present invention showing the handles retracted.

FIG. 9 is a front view of FIG. 8 according to the present invention.

FIG. 10 is a back view of FIG. 8 according to the present invention.

FIG. 11 left side view of FIG. 8 according to the present invention.

FIG. 12 is a right side view of FIG. 8 according to the present invention.

FIG. 13 is a top view of FIG. 8 according to the present invention.

FIG. 14 is a bottom view of a combined tablet computer case and easel according to the present invention.

FIG. 15 is a perspective view of a combined tablet computer case and easel according to the present invention in an open position with the easel extended.

FIG. 16 is a front view of a combined tablet computer case and easel according to the present invention in an open position with the easel extended.

FIG. 17 is a back view of a combined tablet computer case and easel according to the present invention in an open position with the easel extended.

FIG. 18 is a left side view of a combined tablet computer case and easel according to the present invention in an open position with the easel extended.

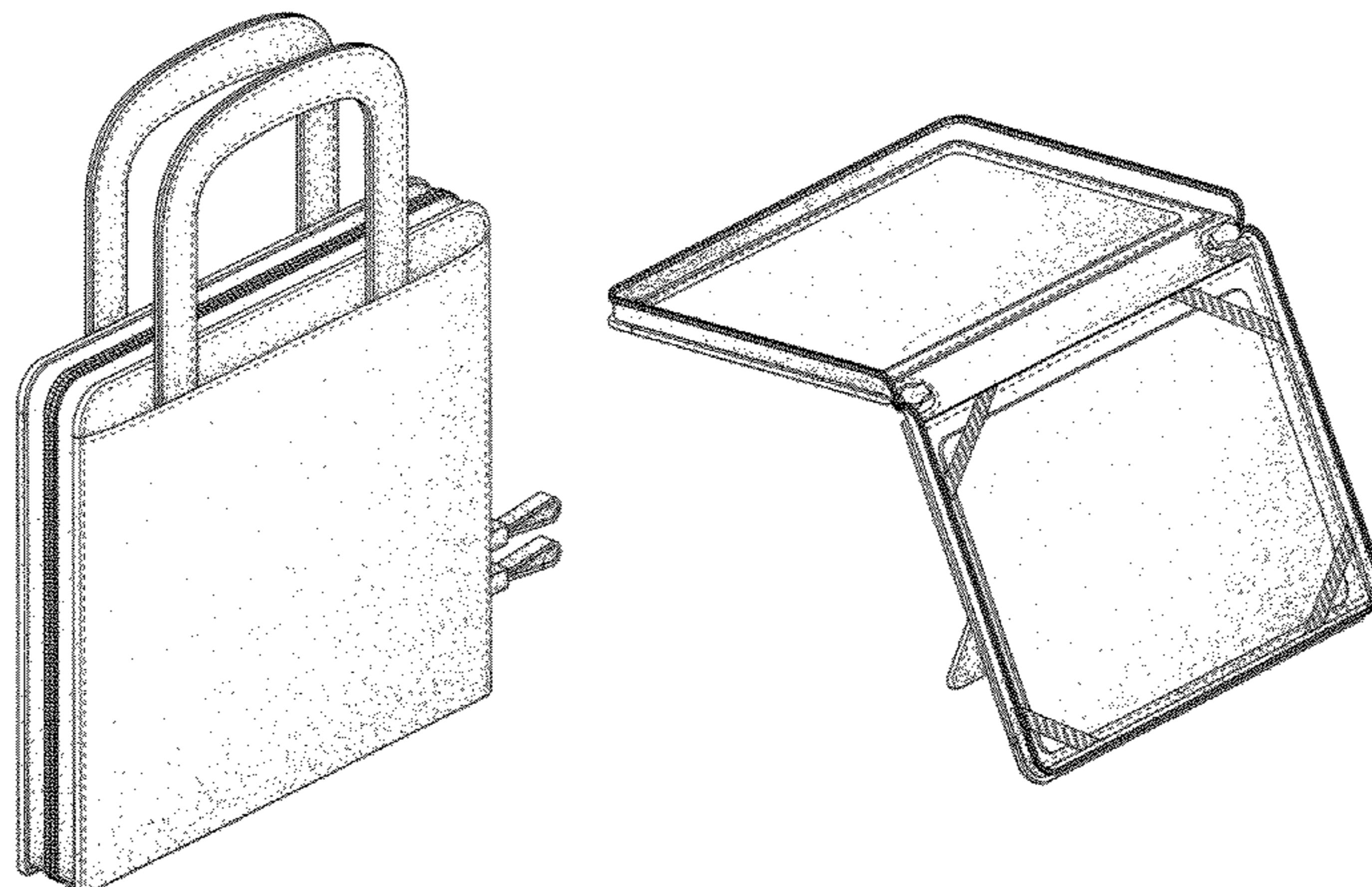
FIG. 19 is a right side view of a combined tablet computer case and easel according to the present invention in an open position with the easel extended.

FIG. 20 is a top view of a combined tablet computer case and easel according to the present invention in an open position with the easel extended; and,

FIG. 21 is a bottom view of a combined tablet computer case and easel according to the present invention in an open position with the easel extended.

The broken lines illustrate stitching and form part of the claimed design.

1 Claim, 17 Drawing Sheets



US D666,815 S

Page 2

U.S. PATENT DOCUMENTS

5,377,794	A *	1/1995	Book	190/1	D506,609	S *	6/2005	Hillman	D3/289
D360,075	S *	7/1995	Cross et al.	D3/276	D562,555	S *	2/2008	Shapiro et al.	D3/303
5,445,266	A *	8/1995	Prete et al.	206/320	7,593,222	B2 *	9/2009	Zbikowski	206/320
D434,901	S *	12/2000	Eskandry	D3/284	2006/0037987	A1 *	2/2006	Lin	190/11
D458,749	S *	6/2002	Bruni et al.	D3/289	2011/0017563	A1 *	1/2011	Azirian	190/11

* cited by examiner

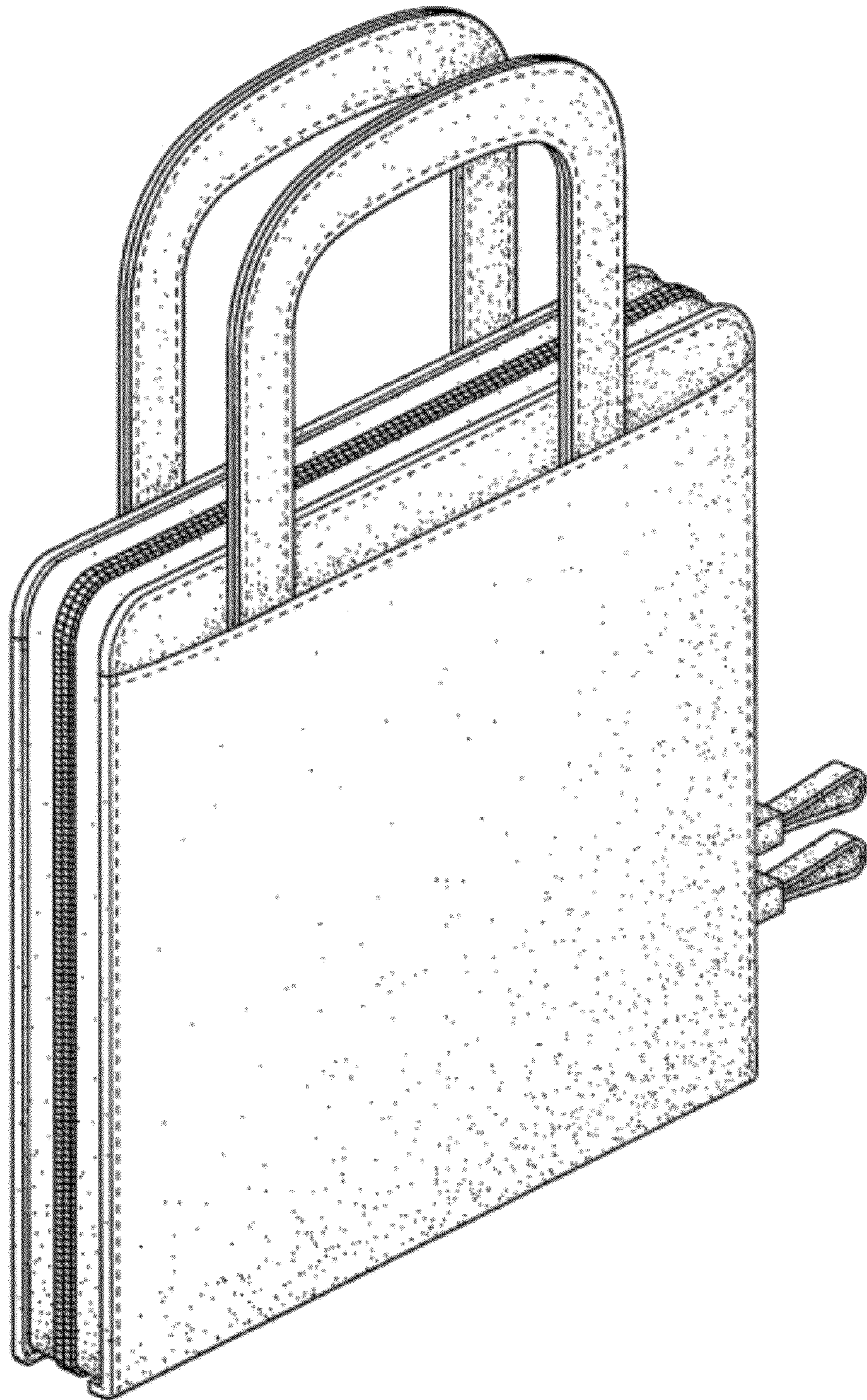


FIG. 1

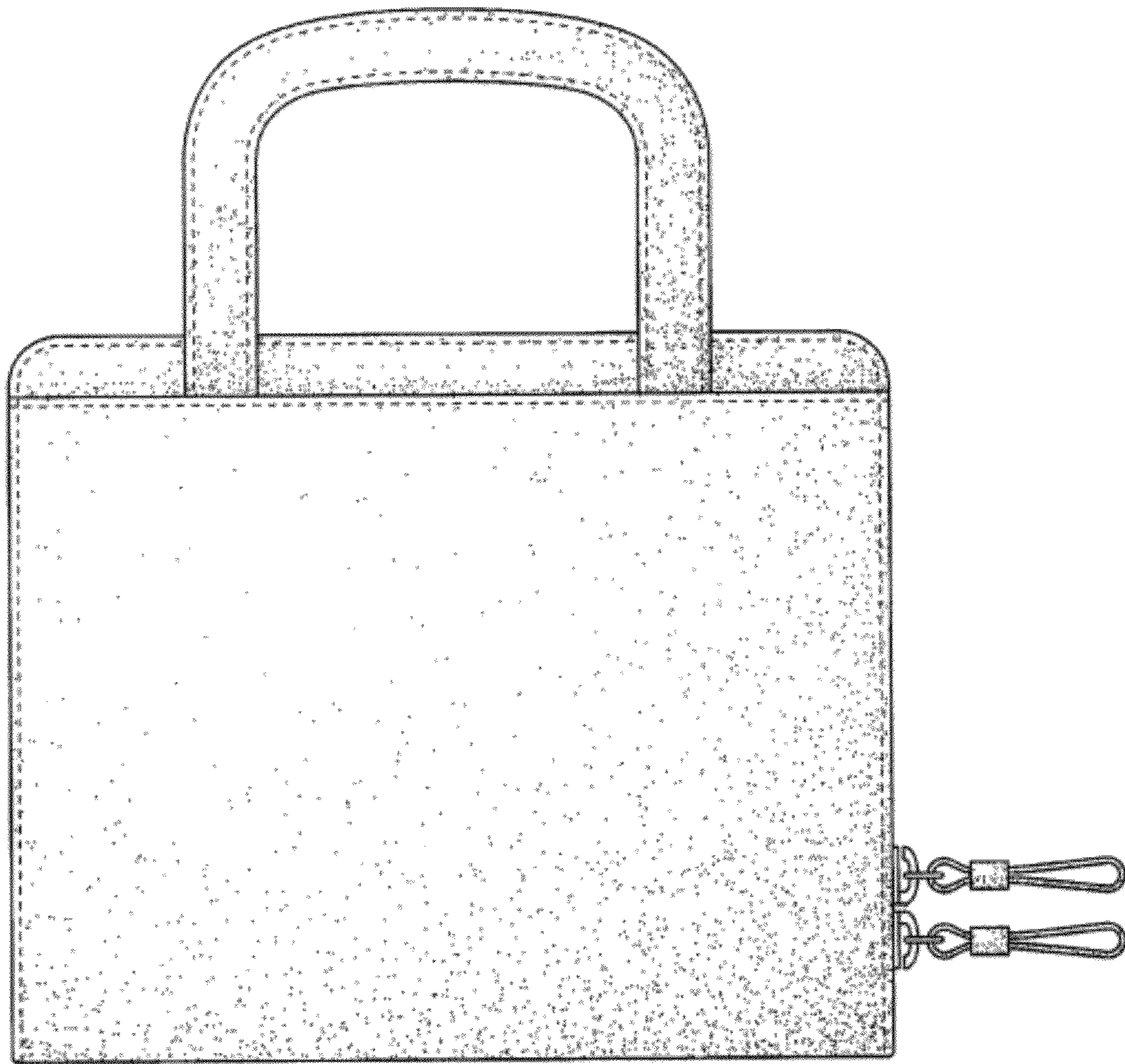


FIG. 2

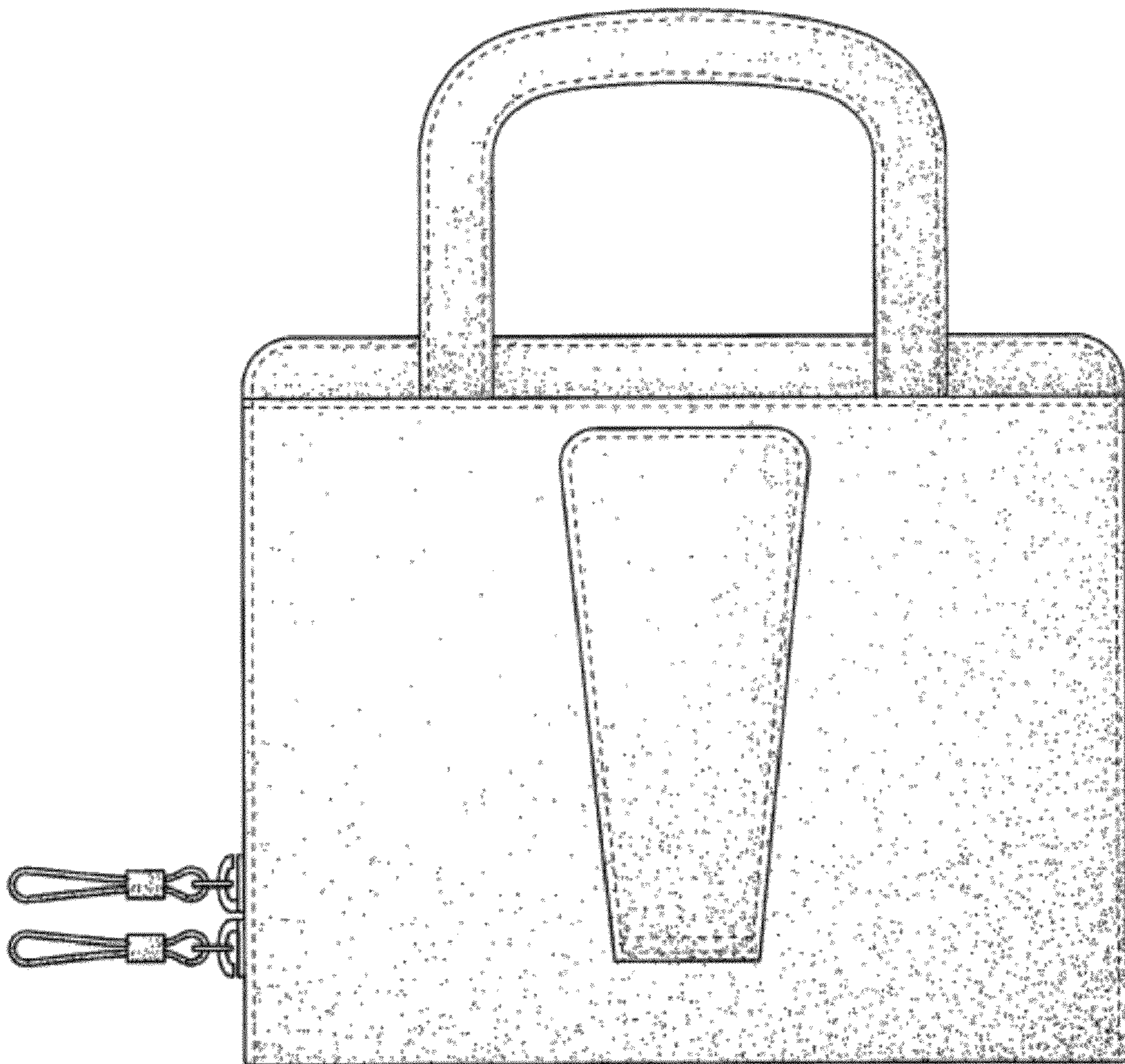


FIG. 3

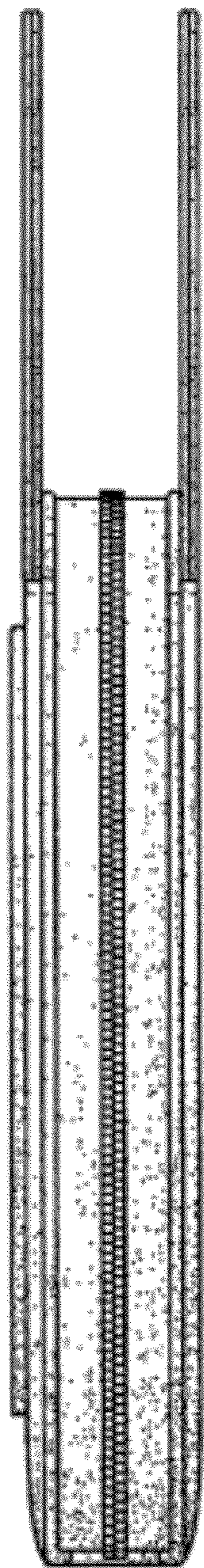


FIG. 4

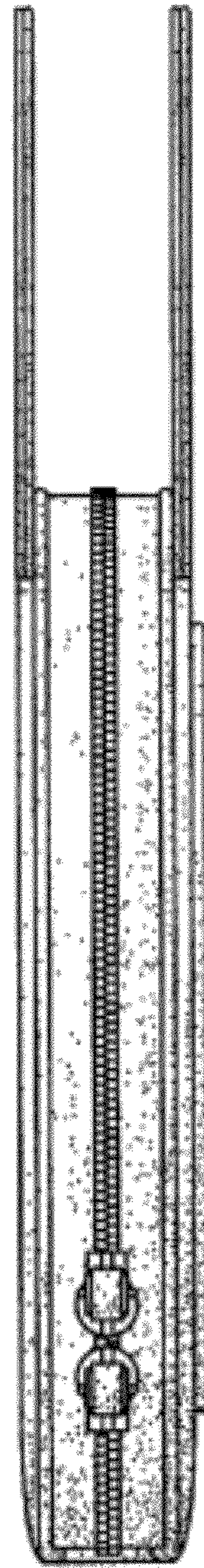


FIG. 5

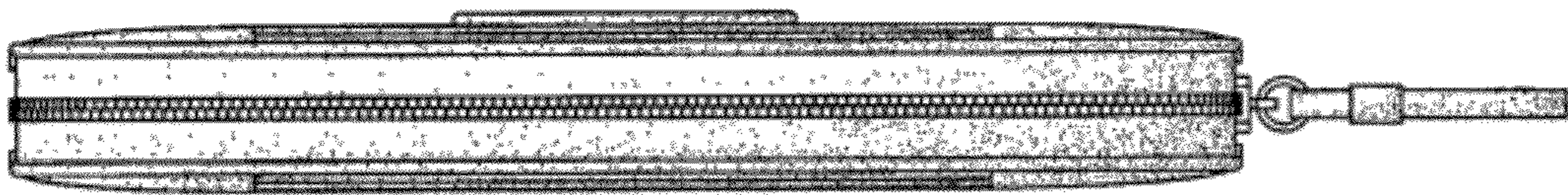


FIG. 6



FIG. 7

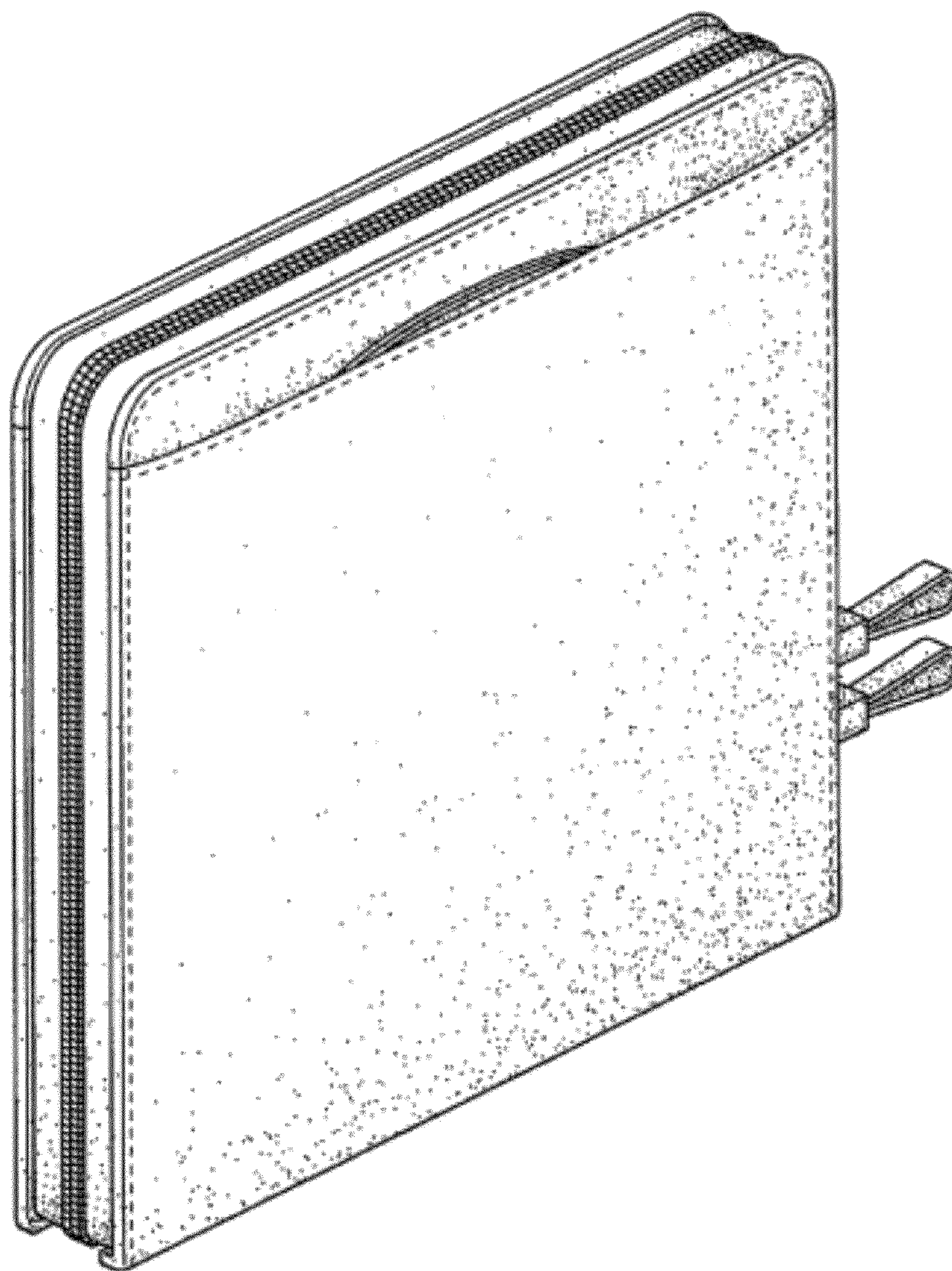


FIG. 8

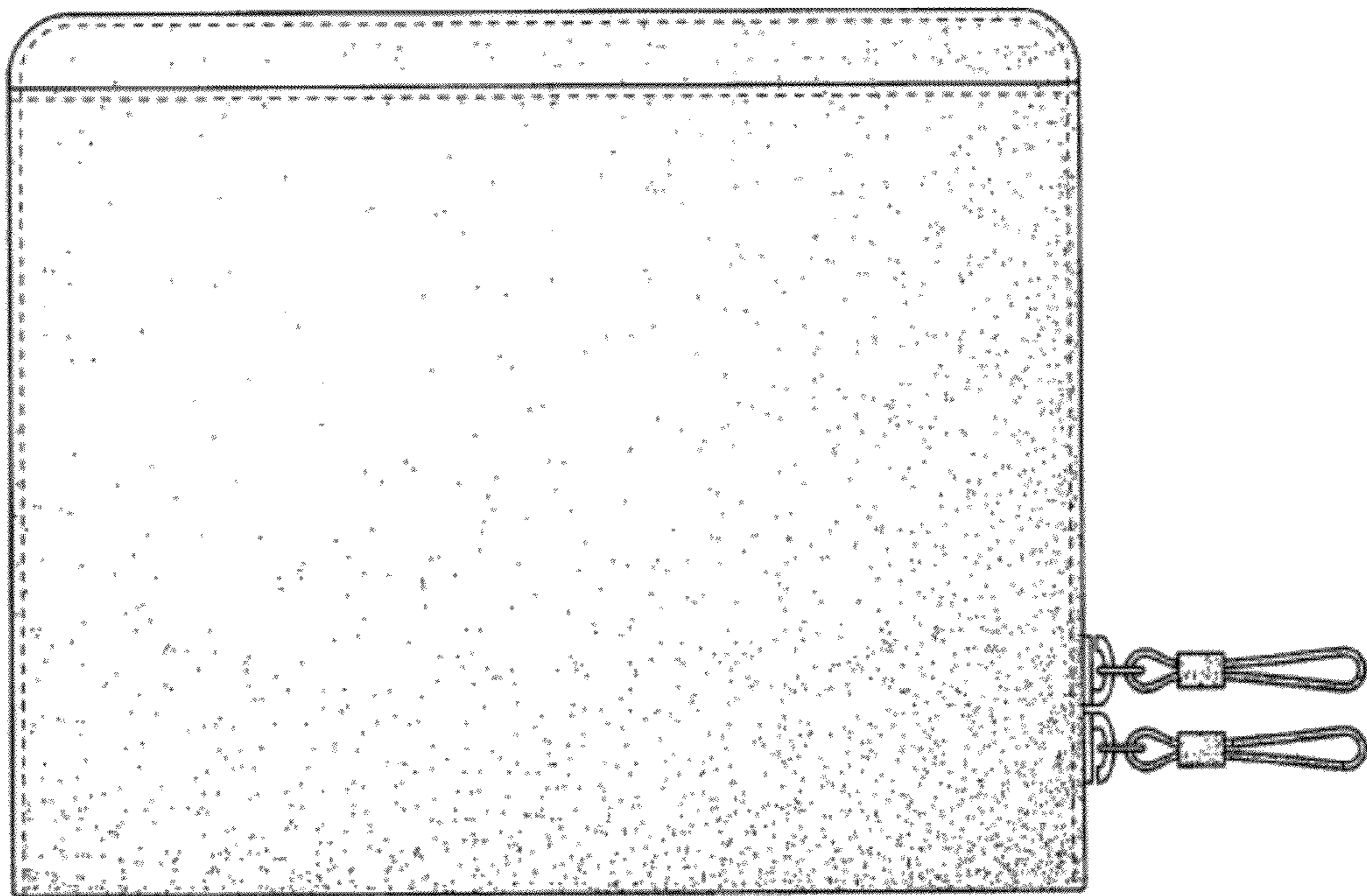


FIG. 9

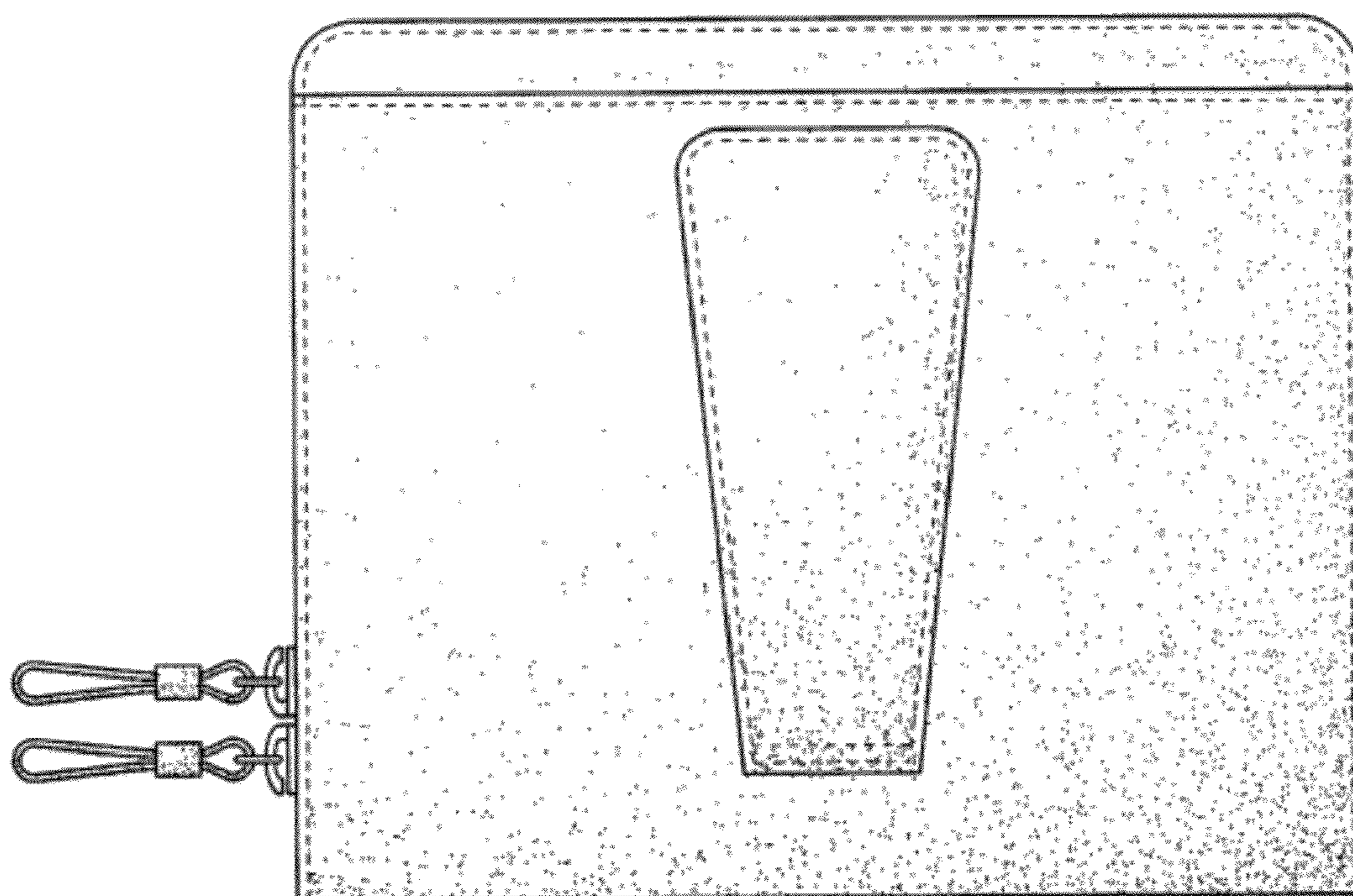


FIG. 10

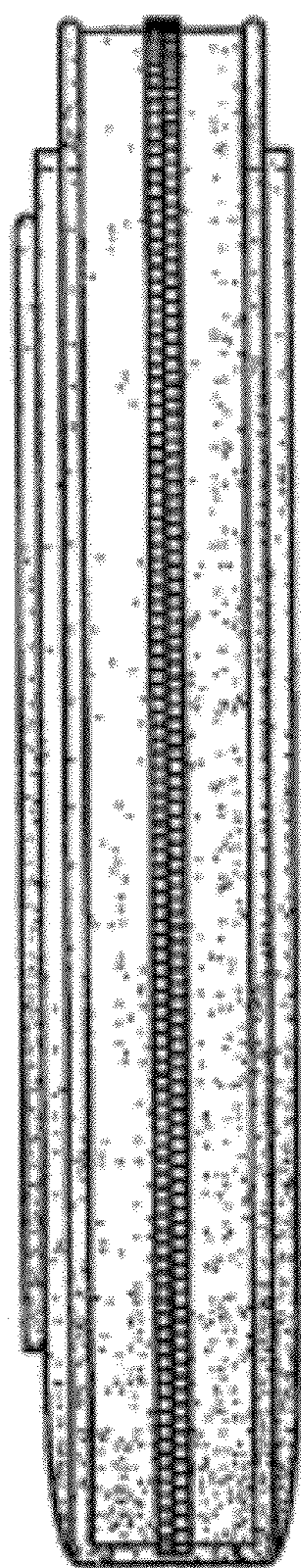


FIG. 11

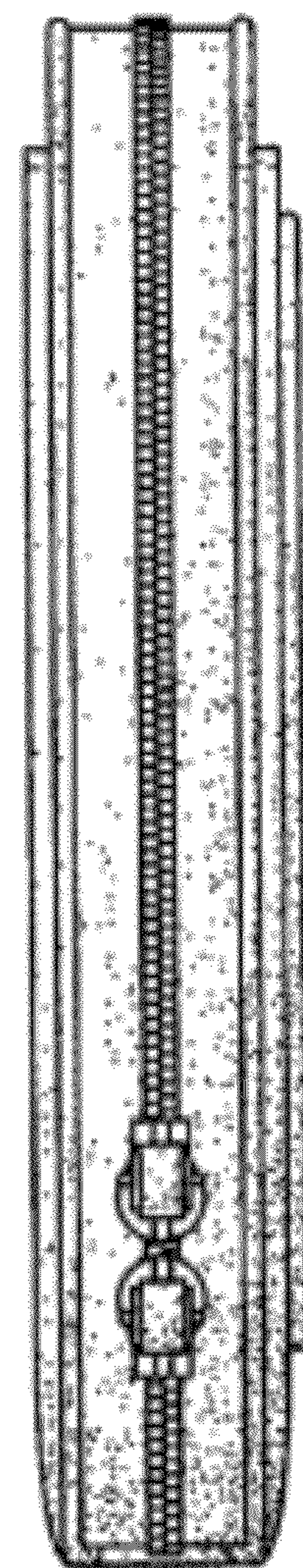


FIG. 12

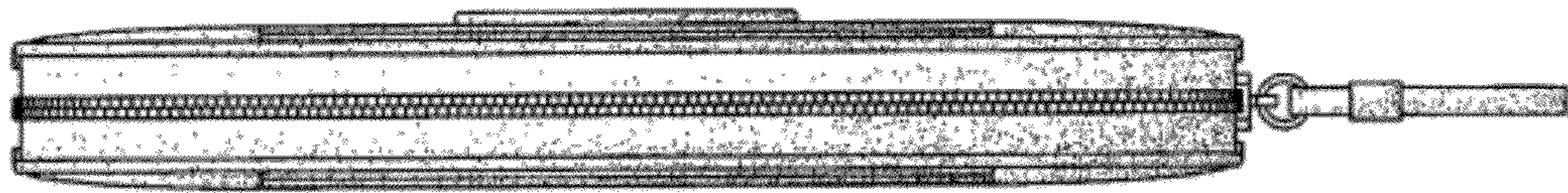


FIG. 13

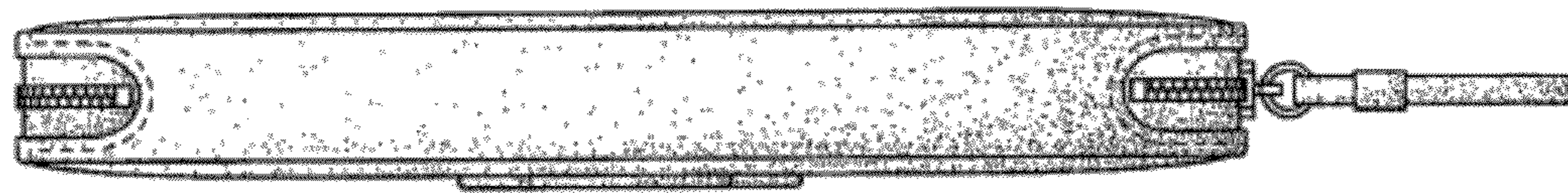


FIG. 14

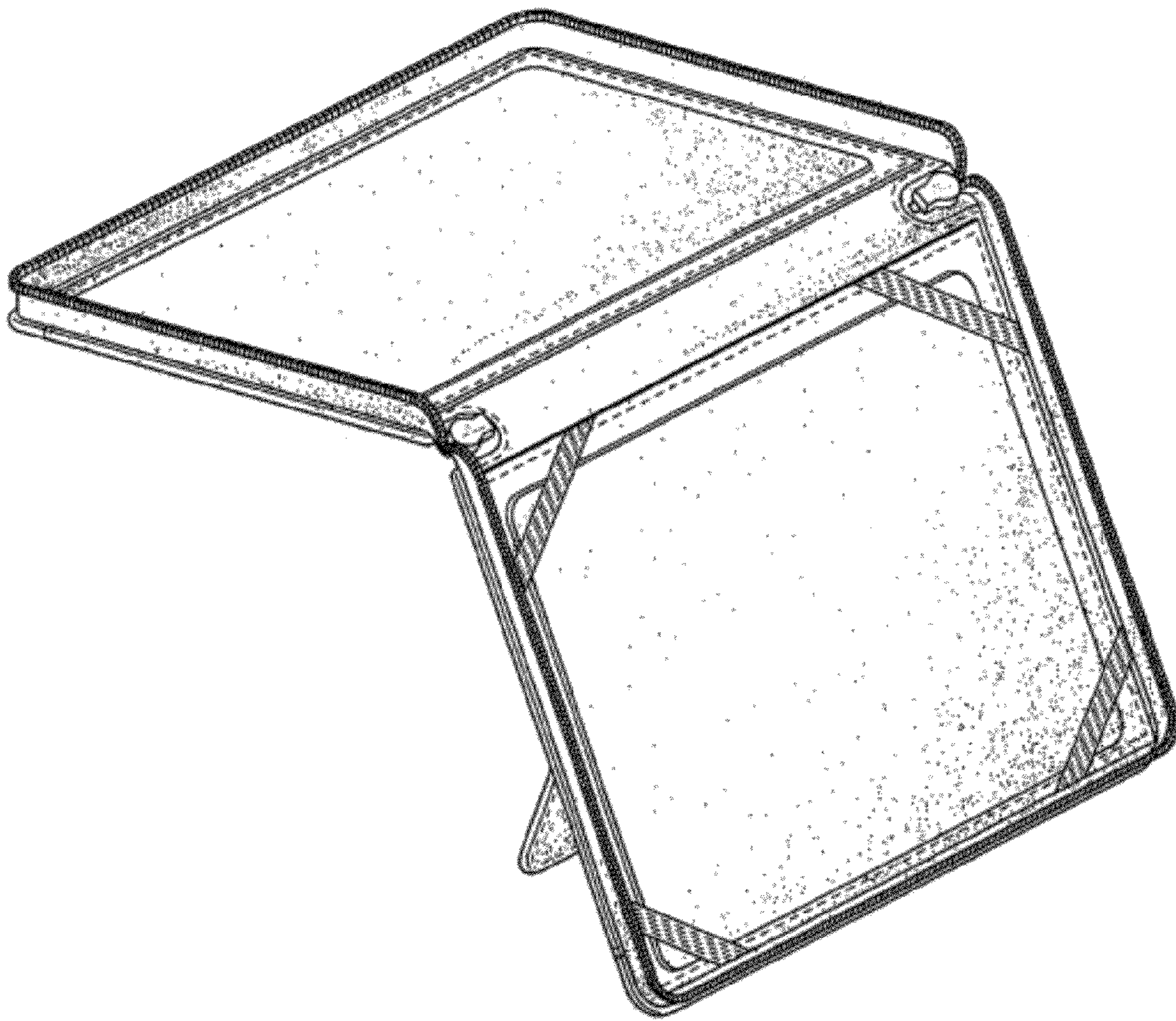


FIG. 15

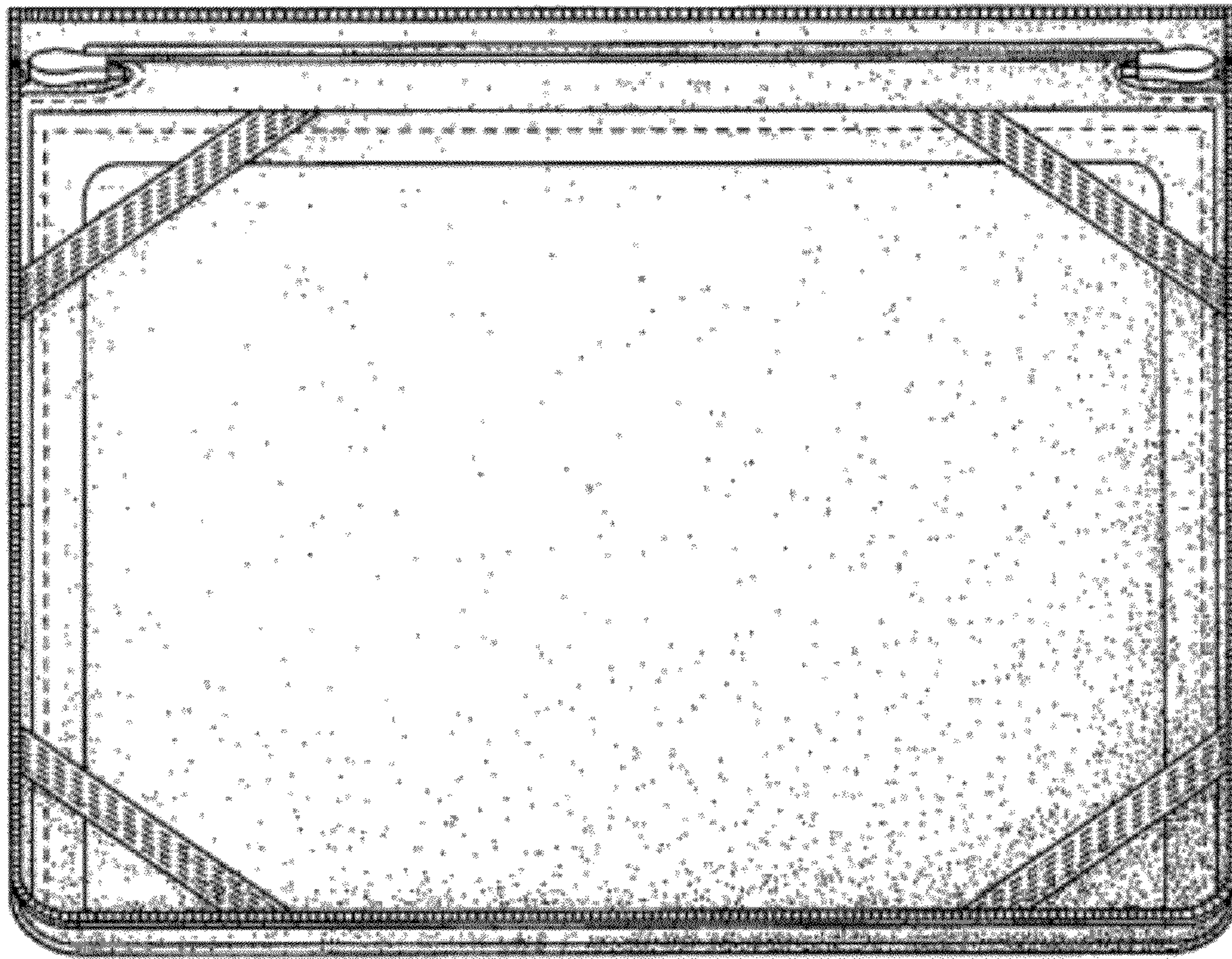


FIG. 16

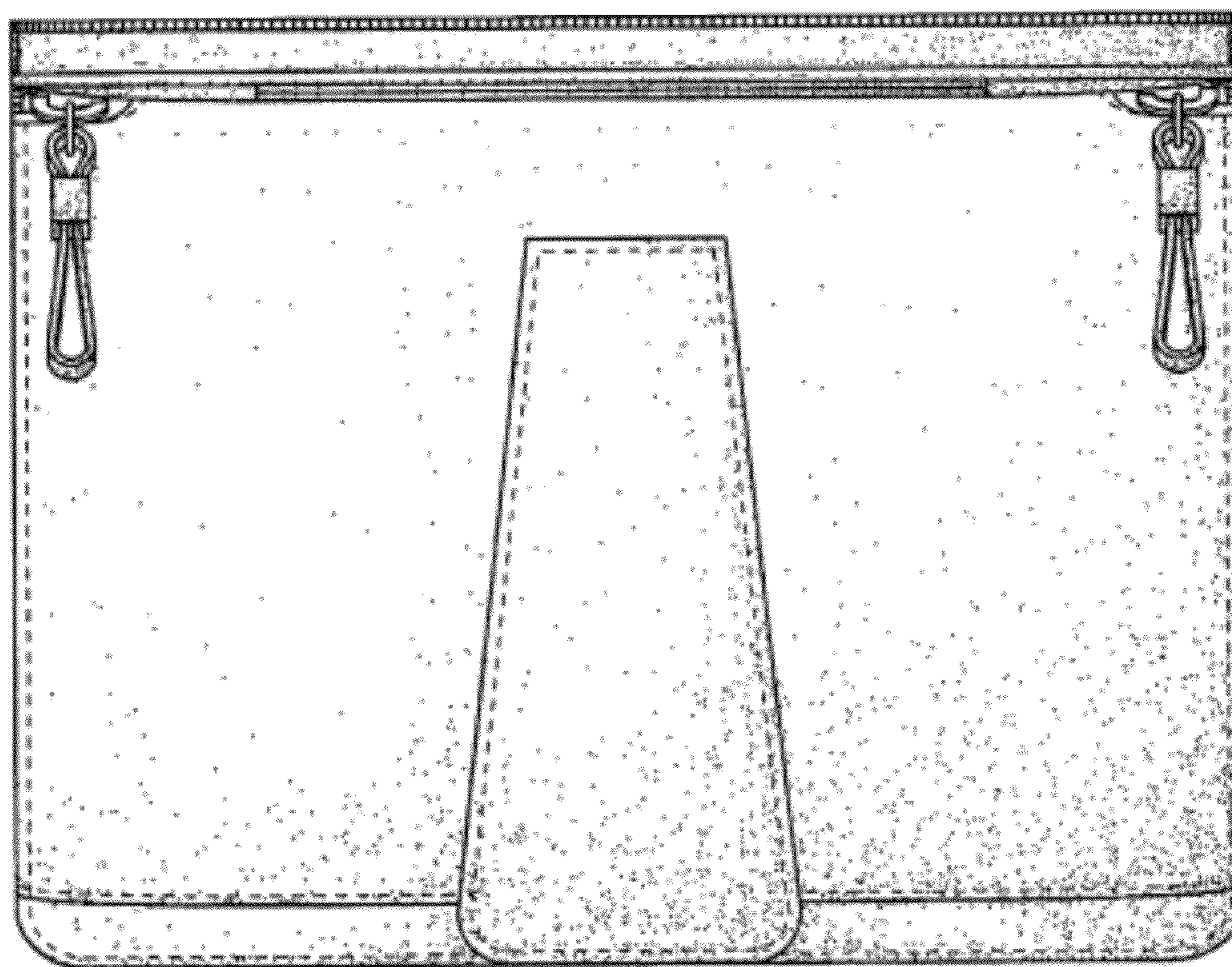


FIG. 17

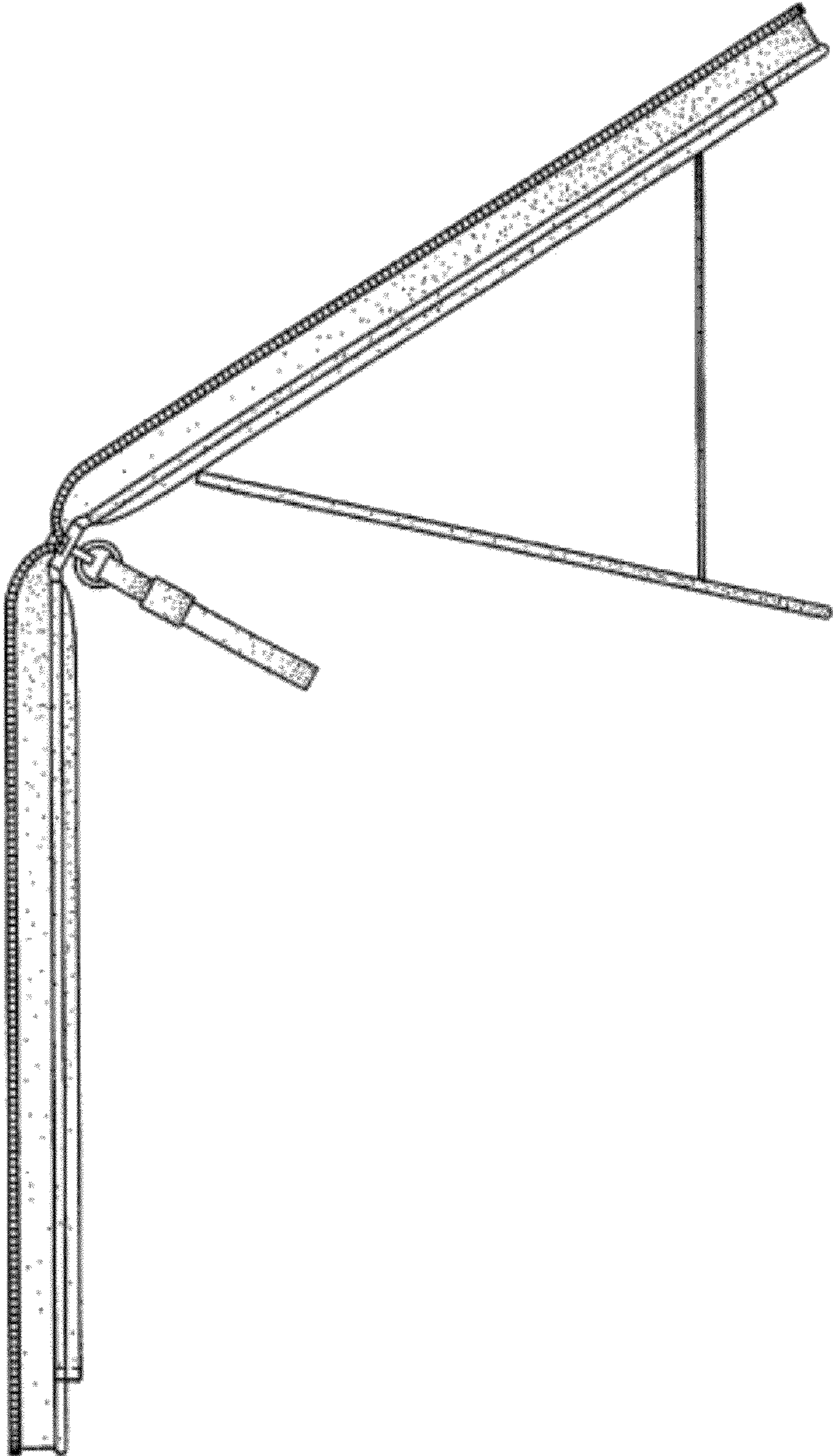


FIG. 18

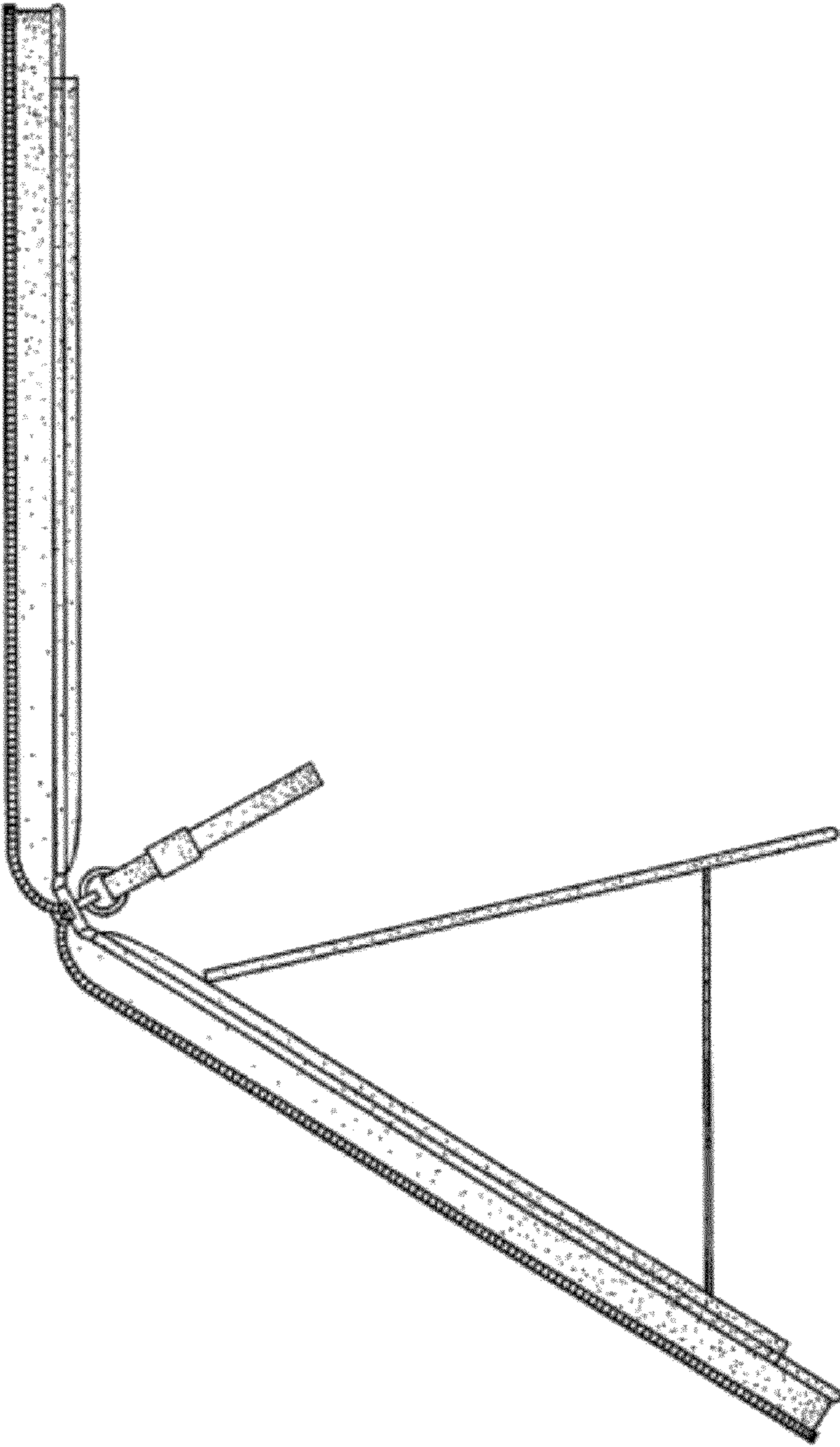


FIG. 19

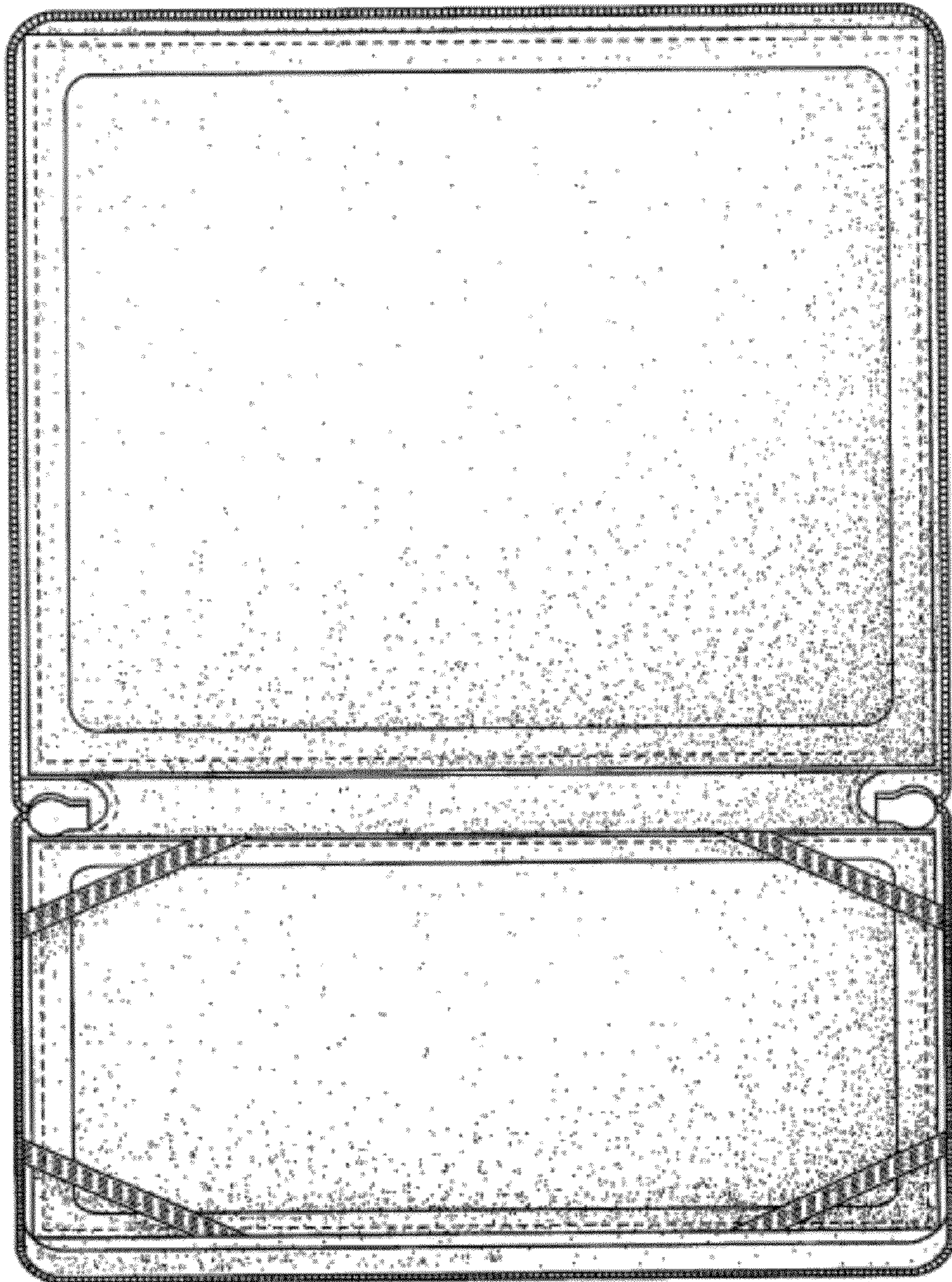


FIG. 20

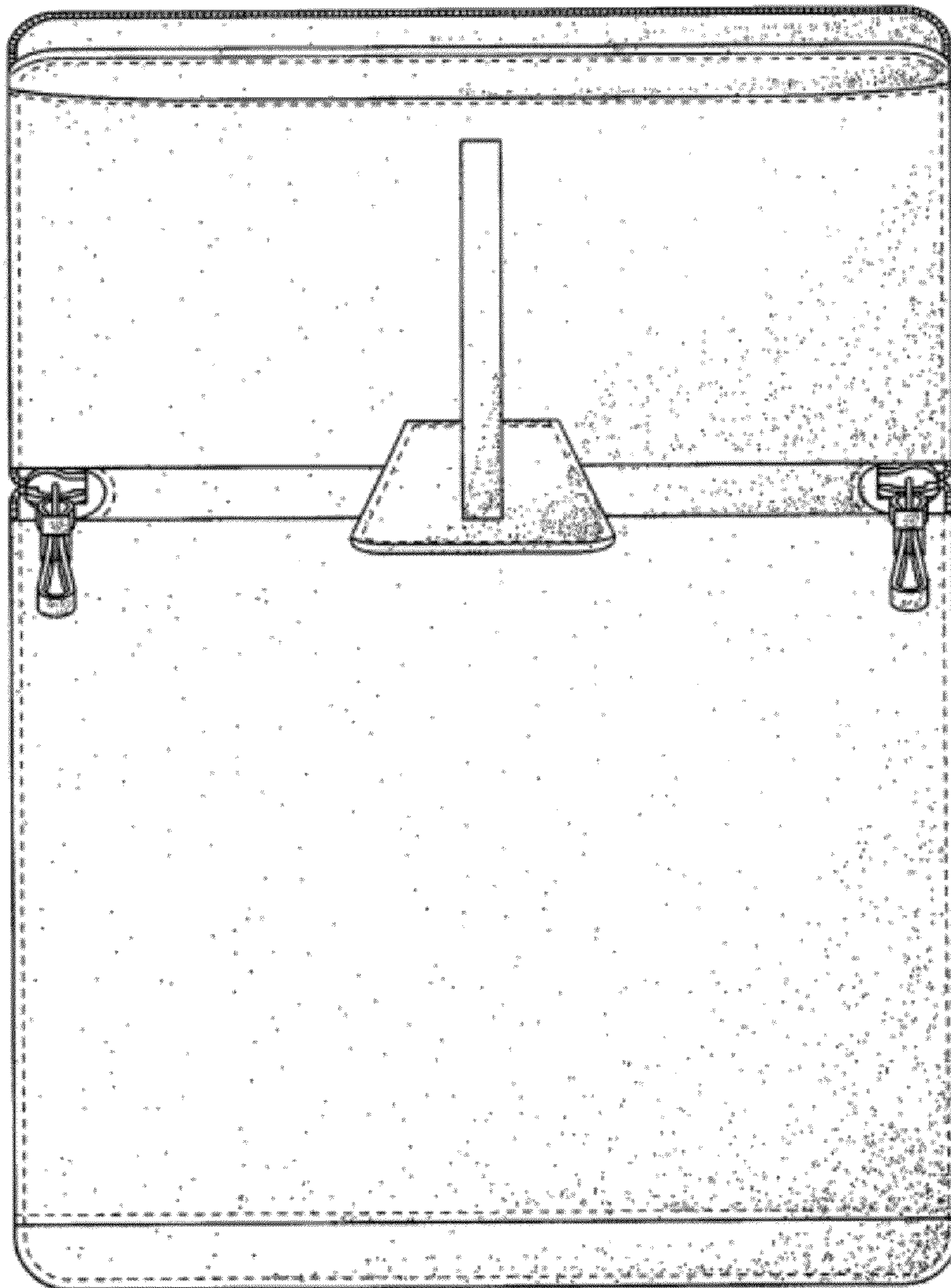


FIG. 21