



US00D666809S

(12) **United States Design Patent**
Hermann

(10) **Patent No.:** **US D666,809 S**

(45) **Date of Patent:** **** Sep. 11, 2012**

(54) **SHOPPING BAG**

D534,349 S * 1/2007 Cardoso D3/243
D578,306 S * 10/2008 Hermann D3/246

(75) Inventor: **Valérie Hermann**, Neuilly-sur-Seine
(FR)

* cited by examiner

(73) Assignee: **Yves Saint Laurent**, Paris (FR)

Primary Examiner — Holly Baynham

(74) *Attorney, Agent, or Firm* — Collen IP; Donald J. Ranft

(**) Term: **14 Years**

(57) **CLAIM**

The ornamental design for a shopping bag, as shown.

(21) Appl. No.: **29/393,872**

DESCRIPTION

(22) Filed: **Jun. 10, 2011**

(51) **LOC (9) Cl.** **03-01**

(52) **U.S. Cl.** **D3/232**

(58) **Field of Classification Search** D3/232–233,
D3/240–243, 245; 150/100, 103–110, 113–114,
150/117–119

FIG. 1 is a front view of a shopping bag showing our new design; and

FIG. 2 is a rear view thereof;

FIG. 3 is a left side view thereof;

FIG. 4 is a right side view thereof;

FIG. 5 is a bottom view thereof;

FIG. 6 is a top view thereof; and,

FIG. 7 is a front perspective thereof.

The broken lines representing stitching are part of the claimed design.

See application file for complete search history.

(56) **References Cited**

U.S. PATENT DOCUMENTS

D31,053 S * 6/1899 Lehman D3/241

1 Claim, 5 Drawing Sheets





Fig. 1



Fig. 2

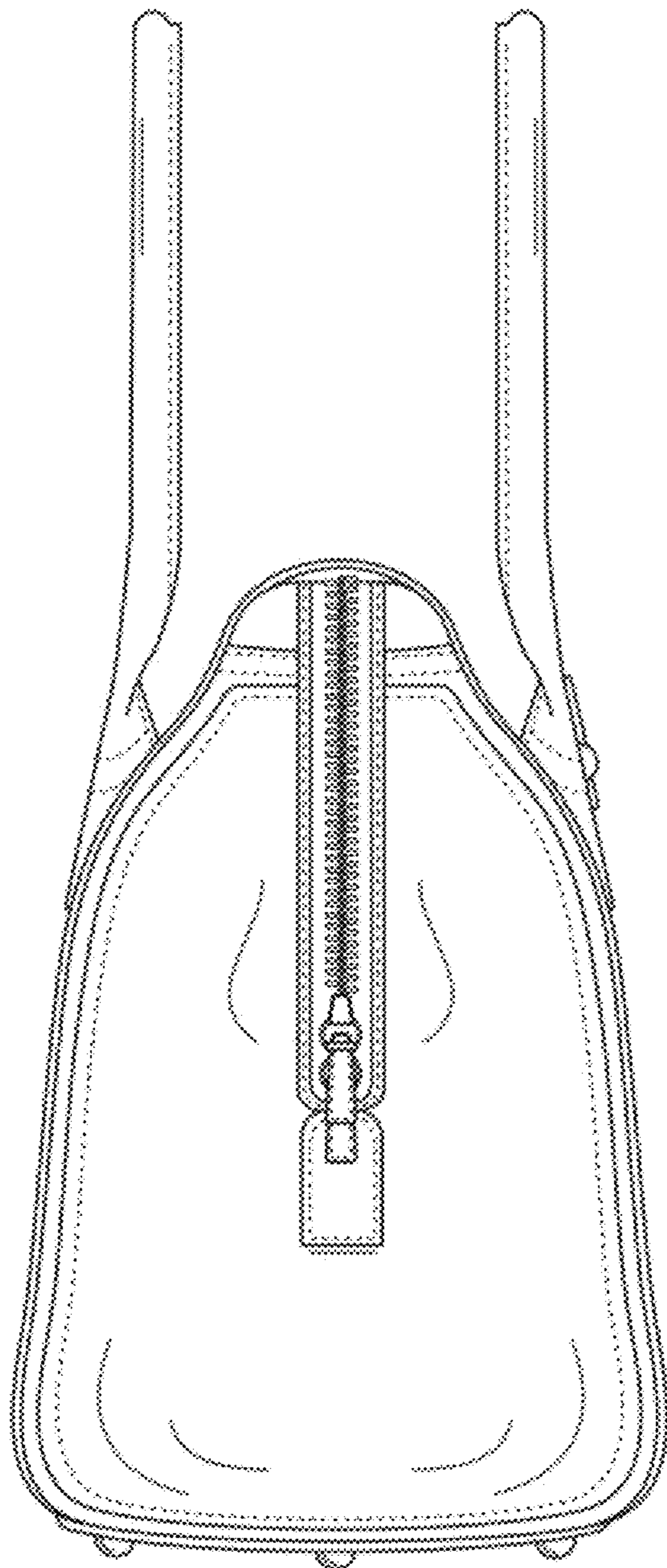


Fig. 3

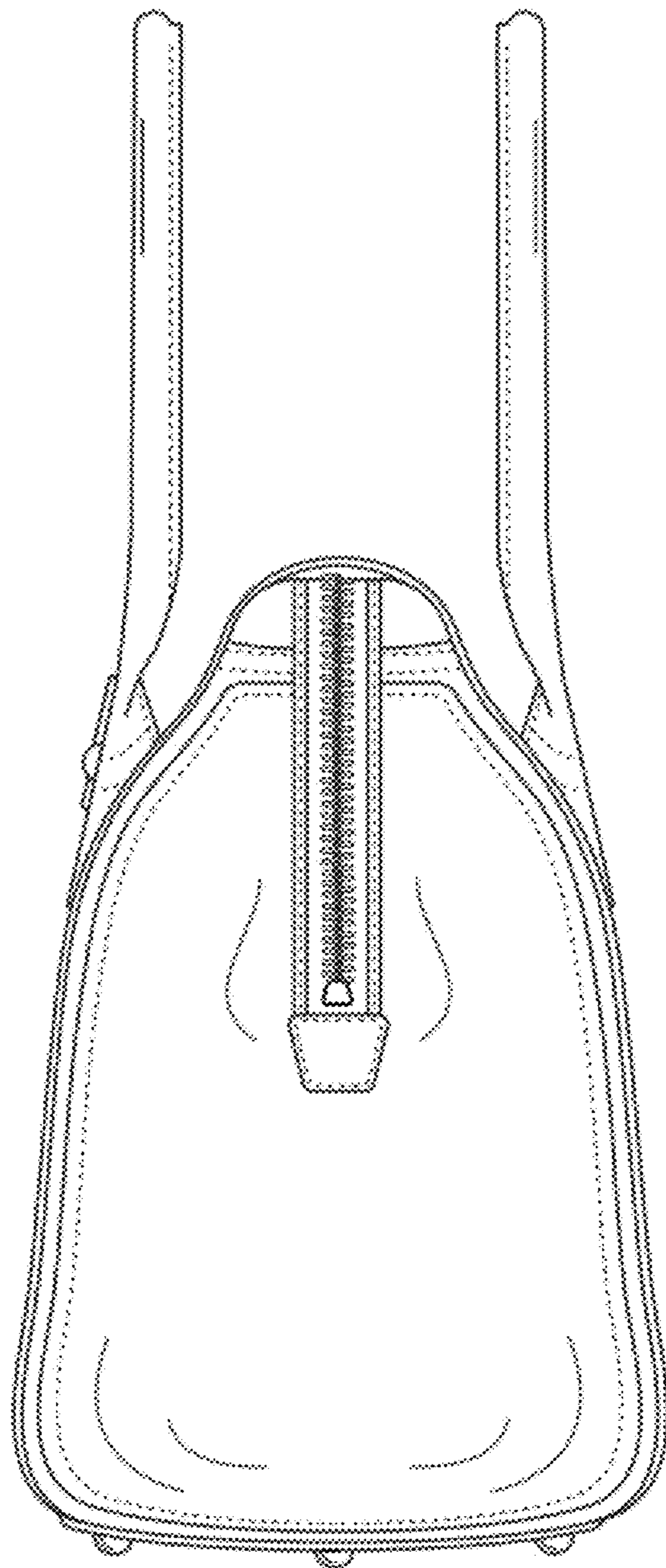


Fig. 4

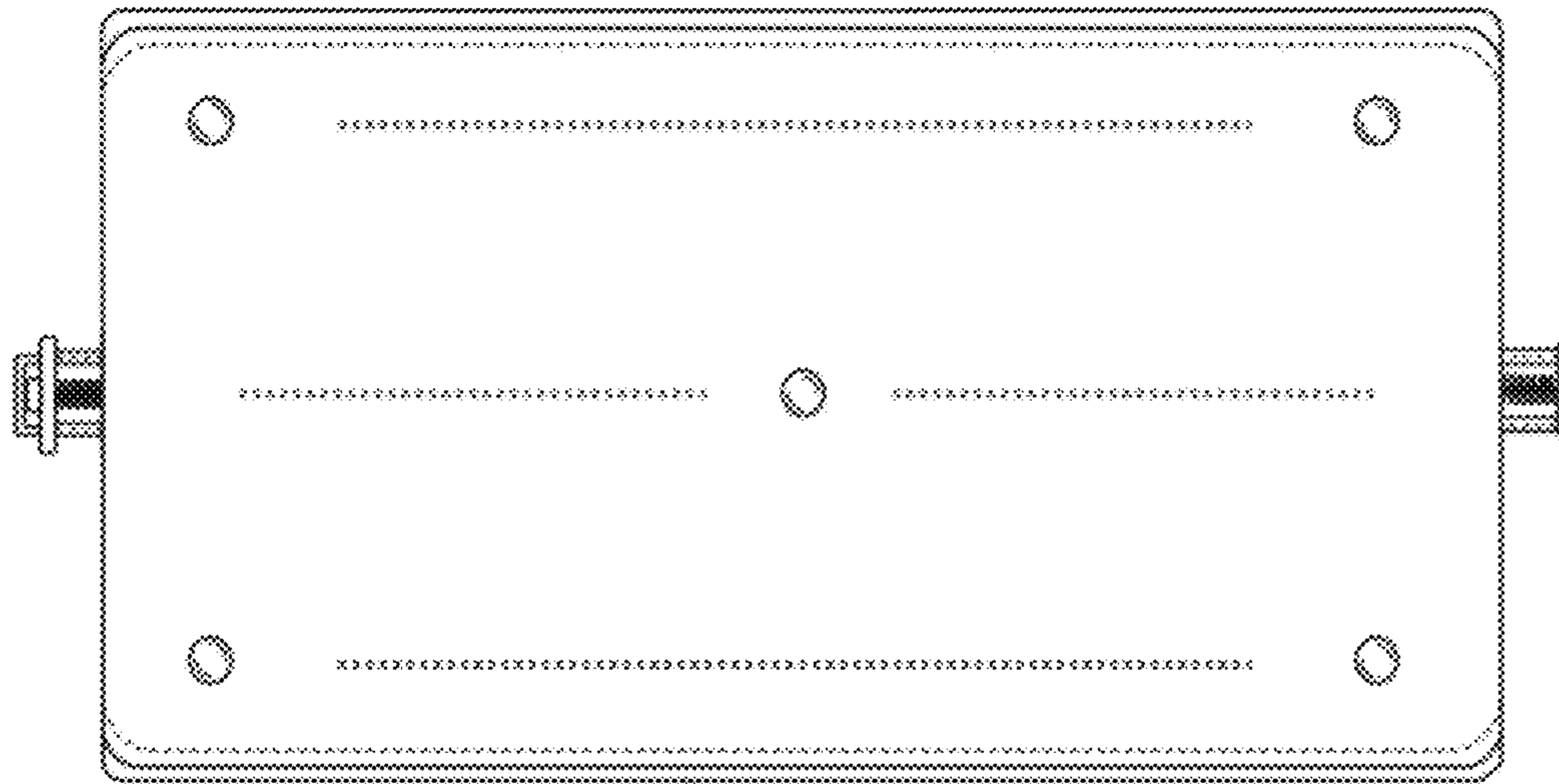


Fig. 5

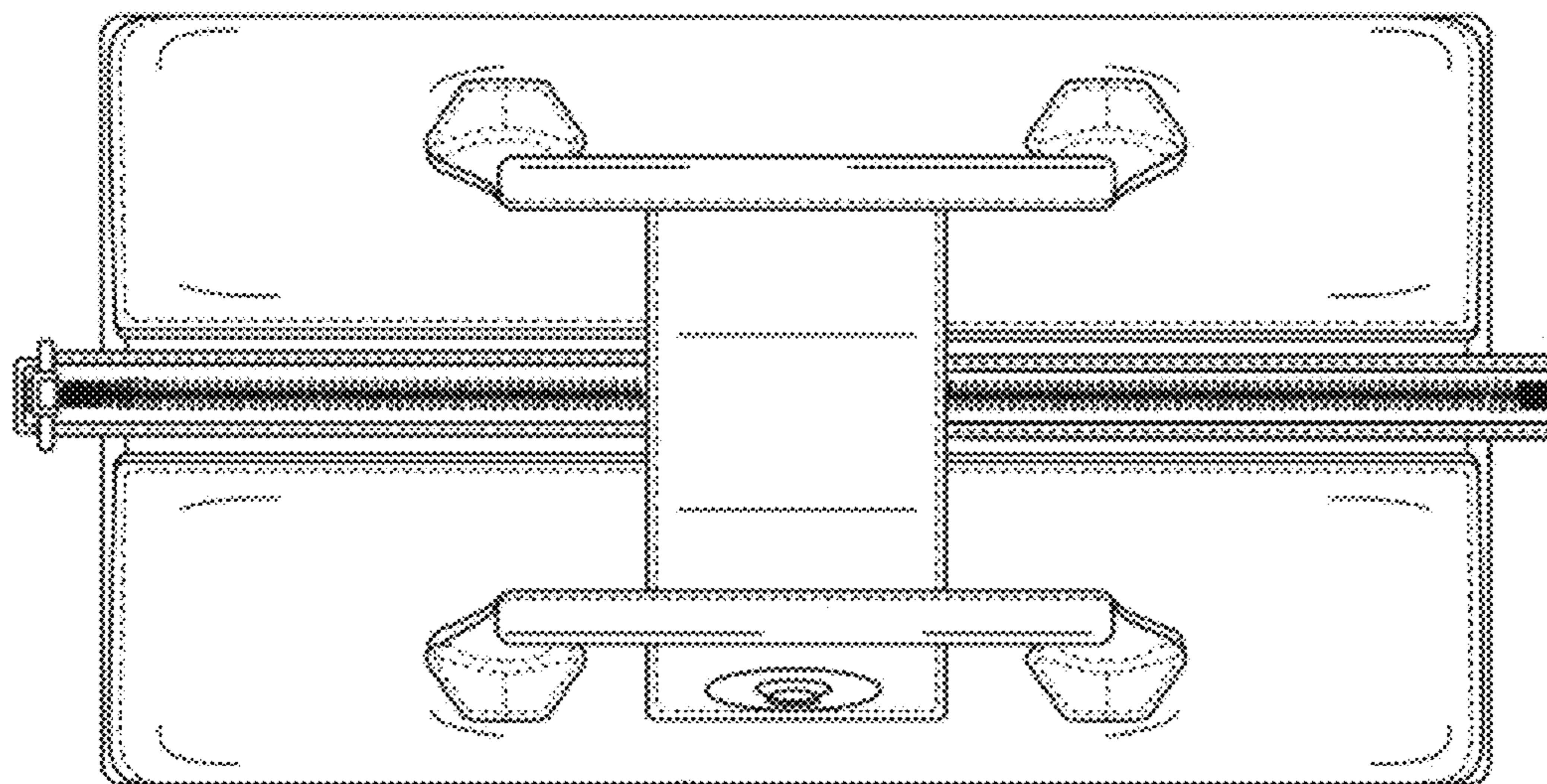


Fig. 6



Fig. 7