



US00D666806S

(12) **United States Design Patent**
Southard

(10) **Patent No.:** **US D666,806 S**

(45) **Date of Patent:** **** Sep. 11, 2012**

(54) **SAFETY RAZOR POUCH WITH SHARPENER**

(76) Inventor: **Jim Southard**, Blytheville, AR (US)

(**) Term: **14 Years**

(21) Appl. No.: **29/370,522**

(22) Filed: **Jul. 30, 2010**

(51) **LOC (9) Cl.** **03-02**

(52) **U.S. Cl.** **D3/205**

(58) **Field of Classification Search** D3/204,
D3/218, 226, 230, 232, 243, 245, 246, 247,
D3/249, 272, 273, 275, 276, 283–285, 289,
D3/290, 299, 303, 315; 206/373–375; 383/39,
383/38, 40, 119; D6/596; 5/413 R

See application file for complete search history.

(56) **References Cited**

U.S. PATENT DOCUMENTS

1,367,036	A	2/1921	Gaisman	
1,381,724	A	6/1921	Maloney	
2,043,957	A	6/1936	Haven	
2,458,257	A	1/1949	Donovan	
2,635,843	A	4/1953	Small	
3,339,608	A	9/1967	Brenner	
3,394,715	A	7/1968	Sachs	
3,979,857	A	9/1976	Kobylarz	
5,785,586	A	7/1998	Delisgnore	
6,062,970	A	5/2000	Back	
D442,781	S *	5/2001	Snider D3/299

D471,011	S *	3/2003	Kowalsky	D3/299
7,171,707	B2 *	2/2007	Landay	5/413 R
D596,842	S *	7/2009	Cooper	D3/205
D617,600	S *	6/2010	Corneh et al.	D6/596
D632,078	S *	2/2011	Schmitz	D3/299
D652,215	S *	1/2012	Baas et al.	D3/303

* cited by examiner

Primary Examiner — Ian Simmons

Assistant Examiner — Charles Hanson

(74) *Attorney, Agent, or Firm* — Stephen D. Carver

(57) **CLAIM**

The ornamental design for a safety razor pouch with sharpener, as shown and described.

DESCRIPTION

FIG. 1 is an isometric view thereof, showing the device unfolded;

FIG. 2 is an isometric view showing the device folded for carrying;

FIG. 3 is a top plan view thereof;

FIG. 4 is a side elevational view, the opposite side comprising a mirror image;

FIG. 5 is an end elevational view, the opposite end comprising a mirror image; and,

FIG. 6 is bottom isometric view thereof, showing the device unfolded.

All dashed or broken lines are intended to represent stitching.

1 Claim, 6 Drawing Sheets

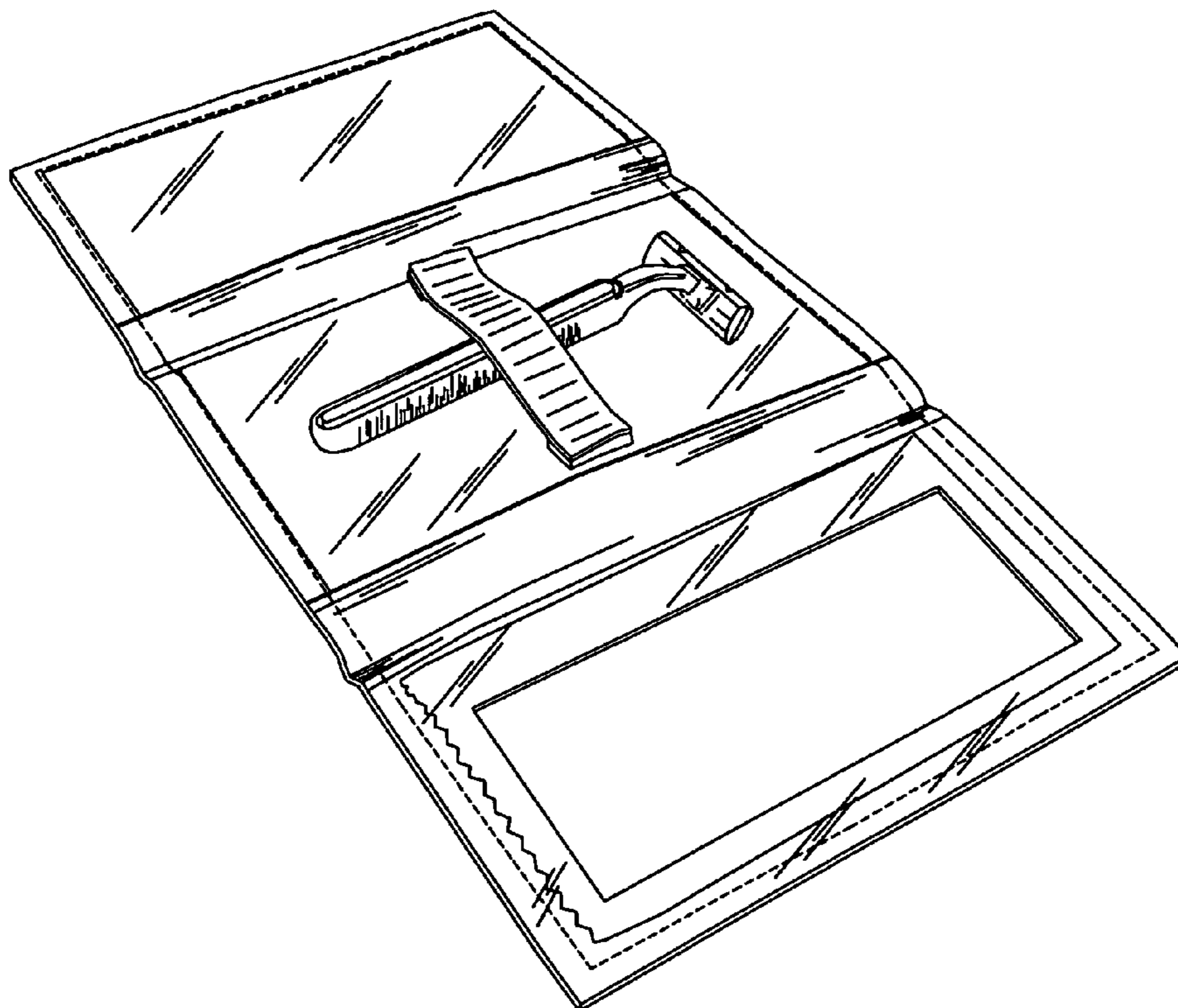


Fig. 1

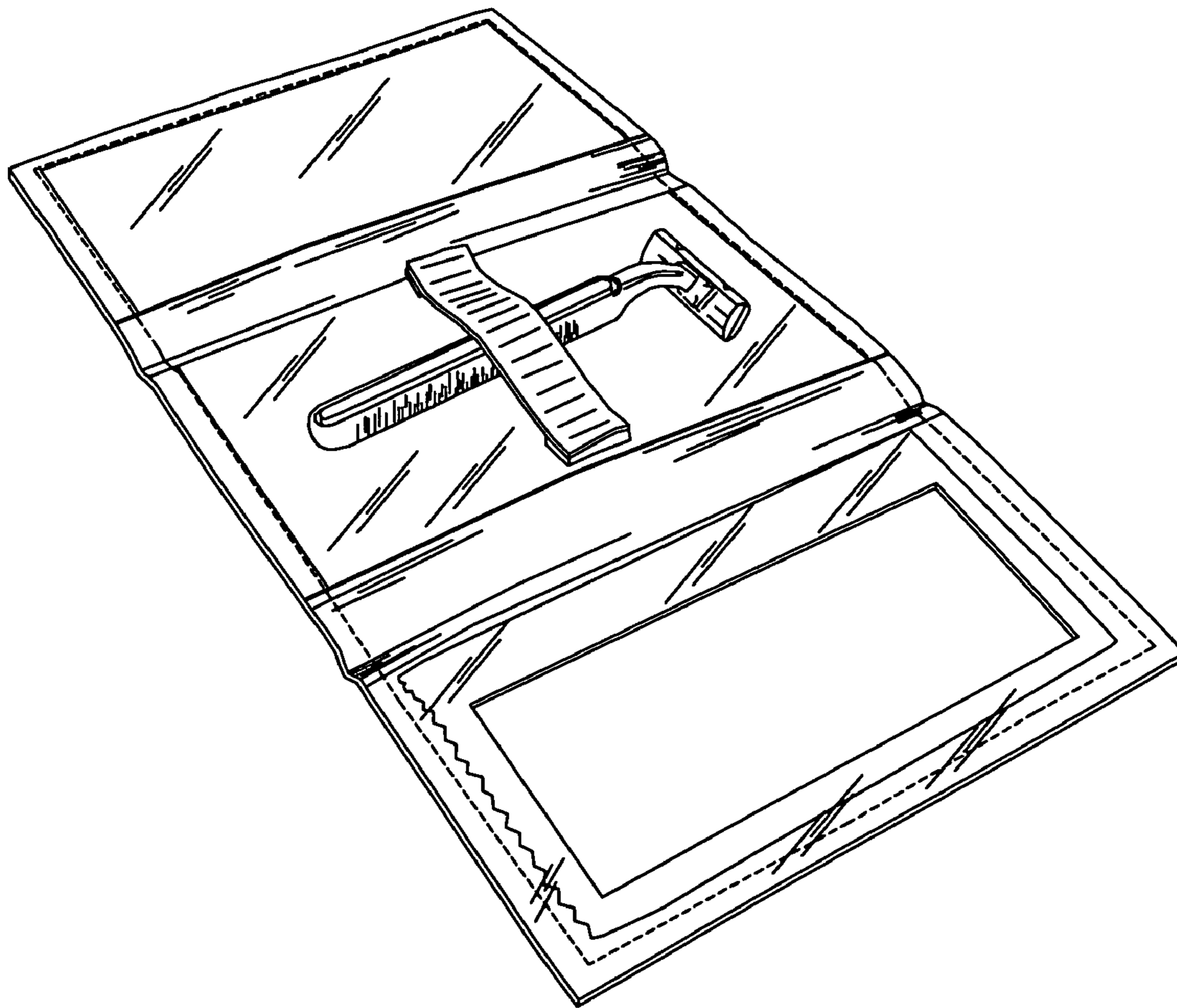


Fig. 2

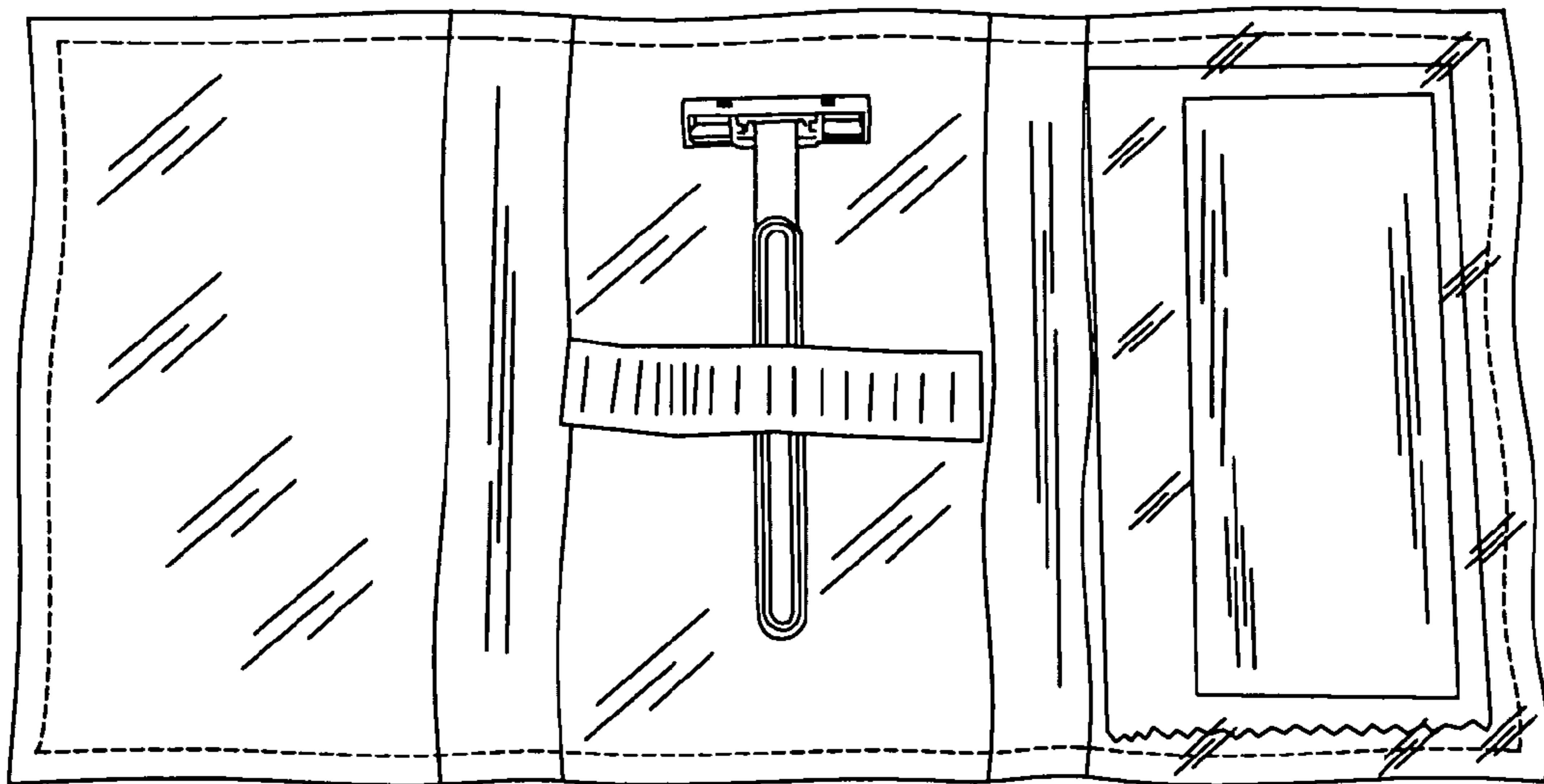


Fig. 3

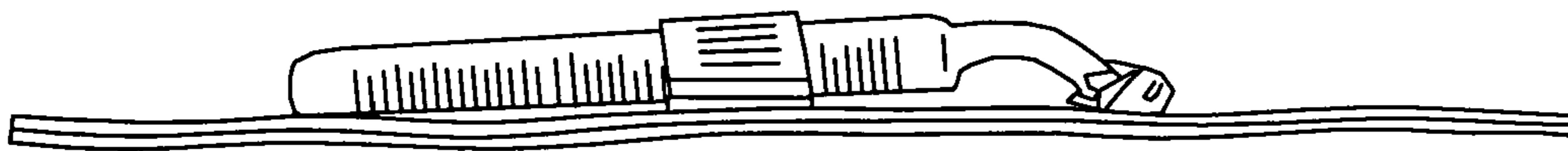


Fig. 4

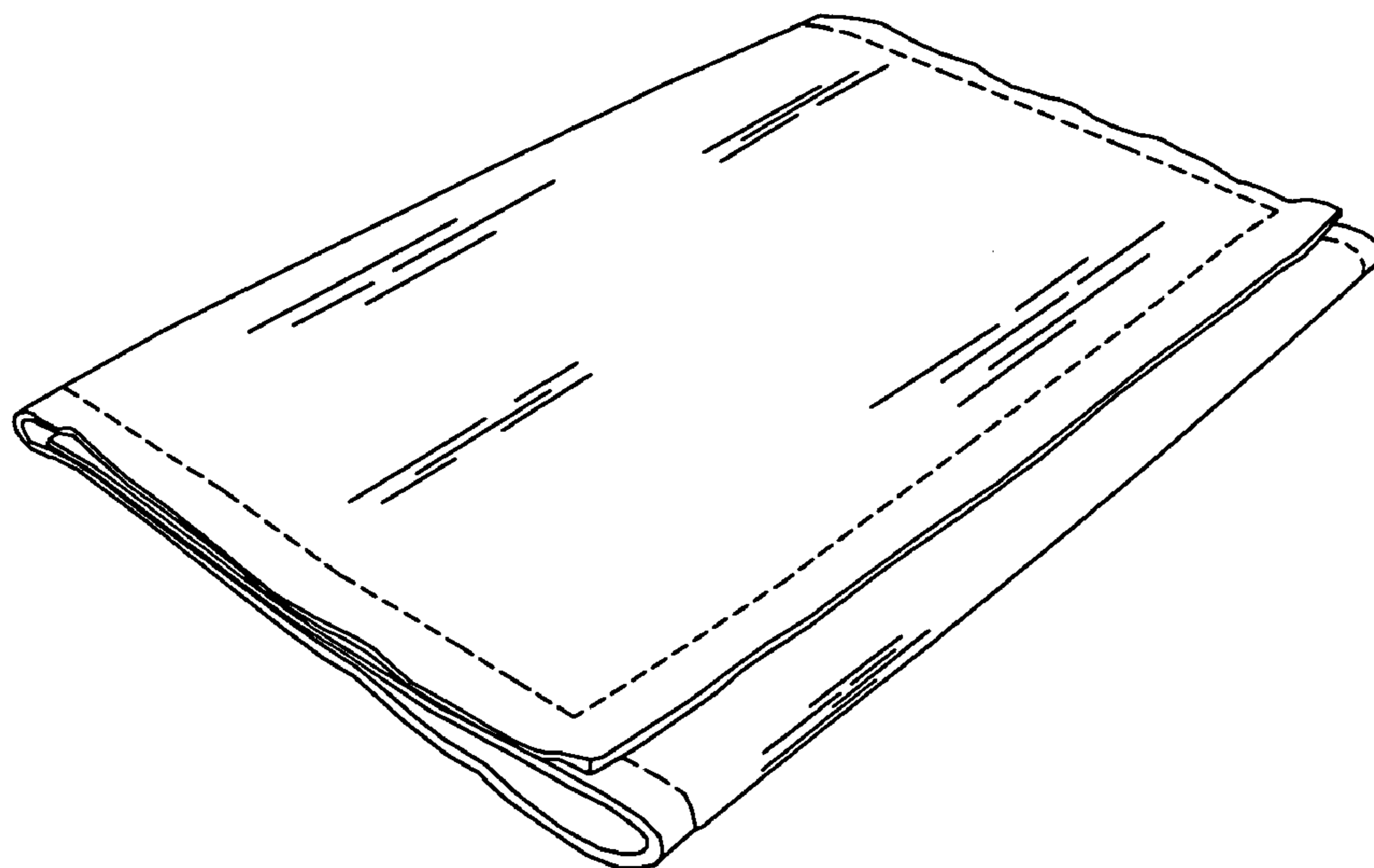


Fig. 5



Fig. 6

