



US00D666805S

(12) **United States Design Patent**
Ferguson

(10) **Patent No.:** **US D666,805 S**
(45) **Date of Patent:** **** Sep. 11, 2012**

(54) **POST-MASTECTOMY DRAINAGE TUBE CARRIER**

7,600,634 B2 * 10/2009 Malinowski et al. 206/63.3
D657,124 S * 4/2012 Dacey et al. D3/203.1
2008/0282441 A1 11/2008 Green

(76) Inventor: **Arlene H. Ferguson**, Narrows, VA (US)

* cited by examiner

(**) Term: **14 Years**

Primary Examiner — Catheri Oliver

(21) Appl. No.: **29/405,614**

(57) **CLAIM**

The ornamental design for a post-mastectomy drainage tube carrier, as shown and described.

(22) Filed: **Nov. 3, 2011**

(51) **LOC (9) Cl.** **03-01**

(52) **U.S. Cl.** **D3/203.1**

(58) **Field of Classification Search** D3/201–205,
D3/232–233, 247–253; D9/414, 432–433,
D9/499; 206/63.3, 216, 339, 363, 370, 434,
206/438

See application file for complete search history.

DESCRIPTION

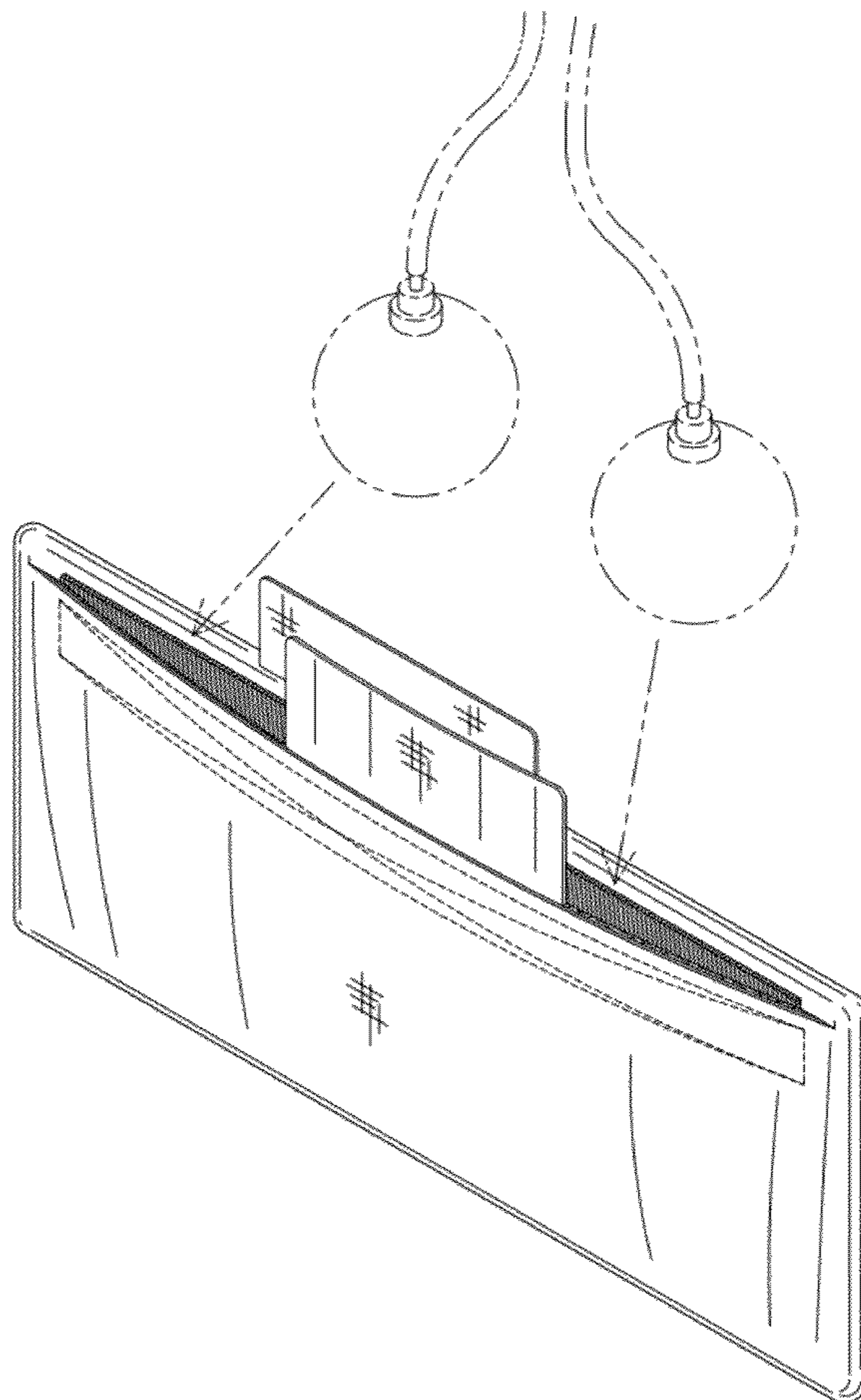
FIG. 1 is a front elevation view of a post-mastectomy drainage tube carrier showing my new design; FIG. 2 is a rear elevation view thereof; FIG. 3 is a right elevation view thereof, the opposite side being a mirror image of the shown; FIG. 4 is a top plan view thereof; FIG. 5 is a bottom plan view thereof; and, FIG. 6 is an isometric view thereof. The broken lines in FIG. 6 of the drawings depict environmental subject matter only and form no part of the claimed design.

(56) **References Cited**

U.S. PATENT DOCUMENTS

5,643,233	A	7/1997	Turner	
6,152,915	A	11/2000	Watson et al.	
6,610,032	B1	8/2003	Prody	
6,719,128	B2 *	4/2004	Alpern et al.	206/63.3
7,434,687	B2 *	10/2008	Itou et al.	206/370

1 Claim, 4 Drawing Sheets



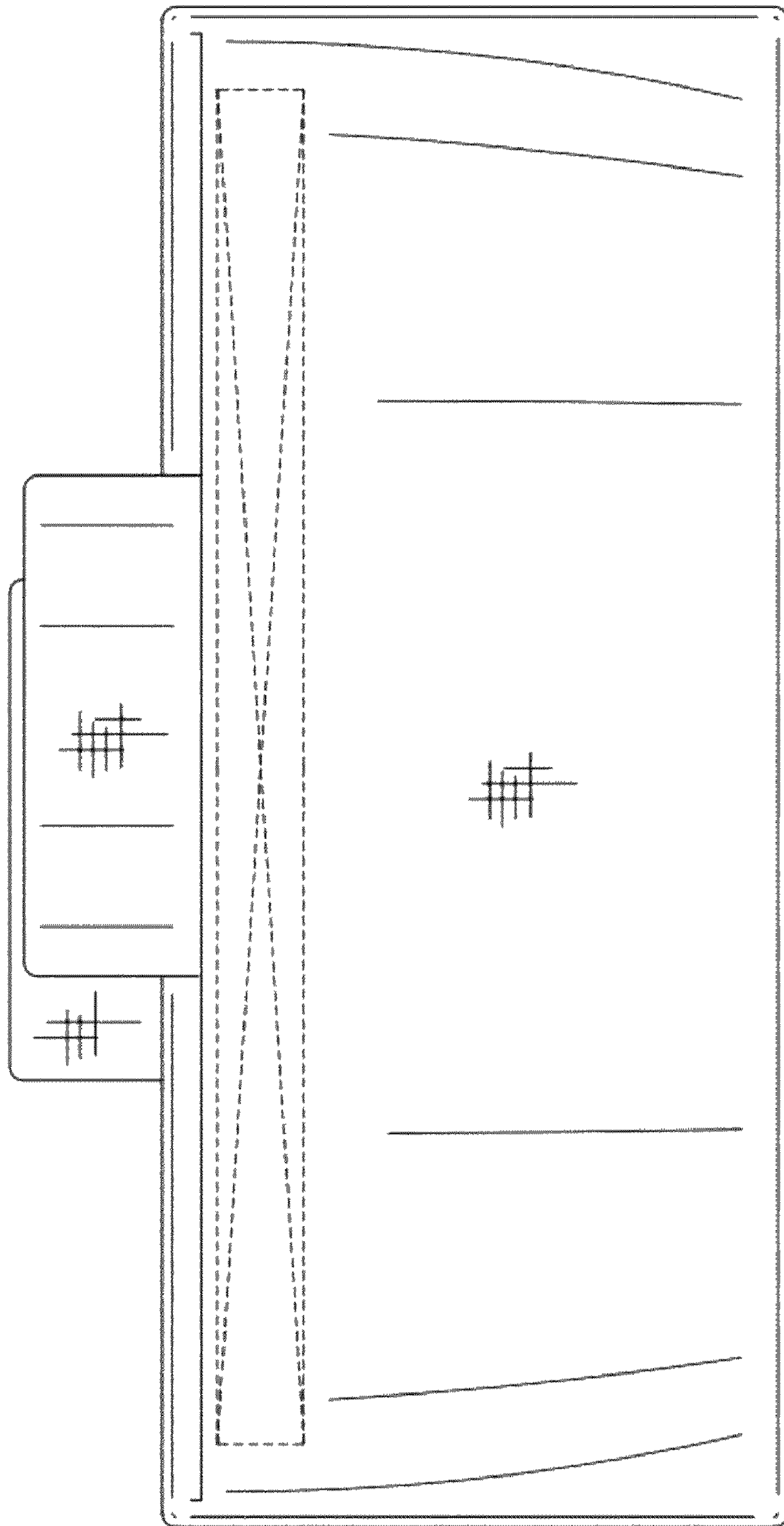


FIG. 1

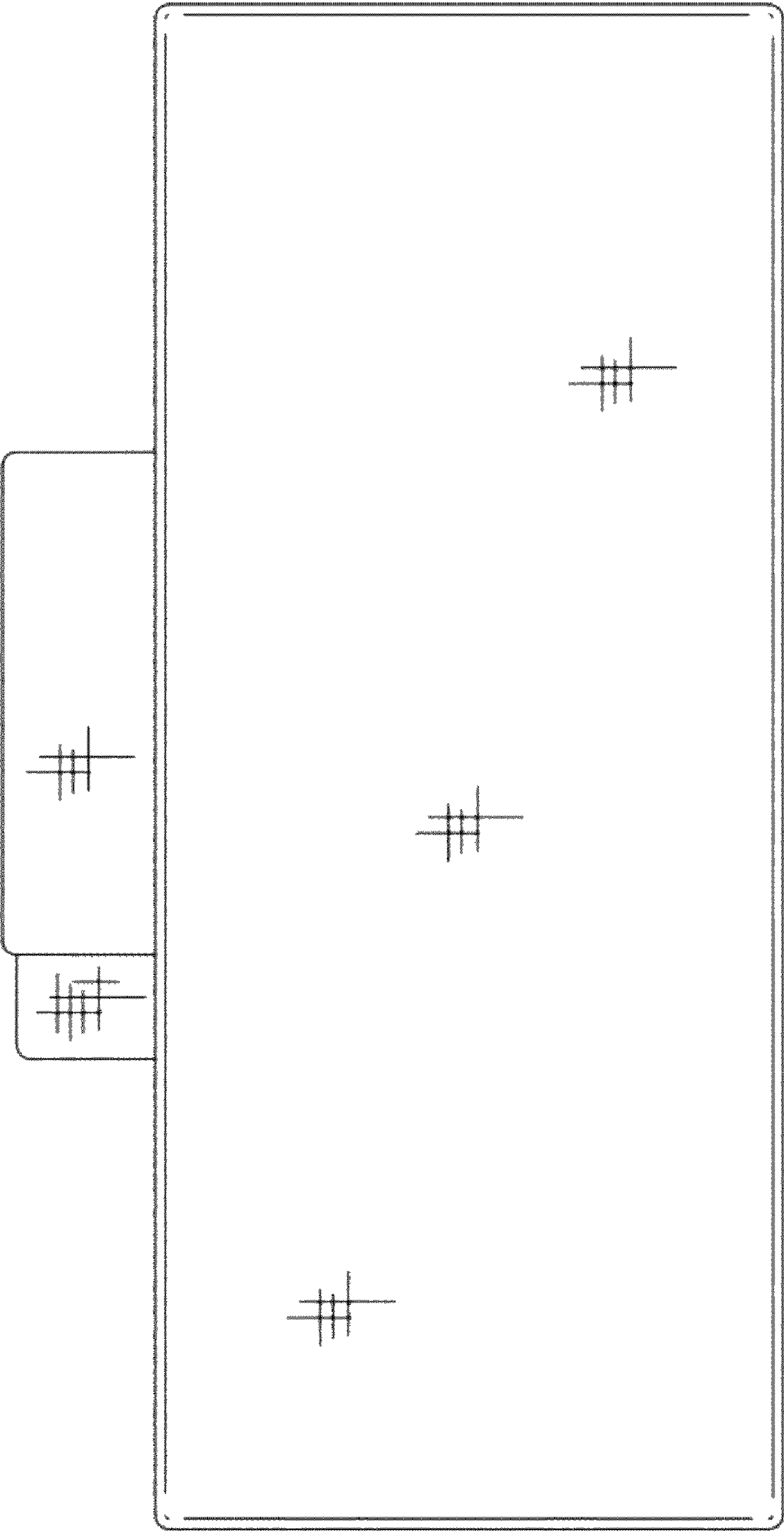


FIG. 2

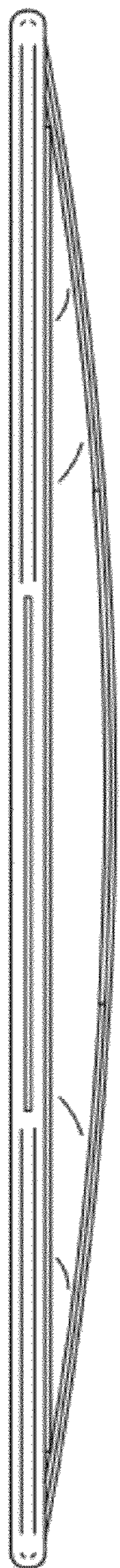


FIG. 4

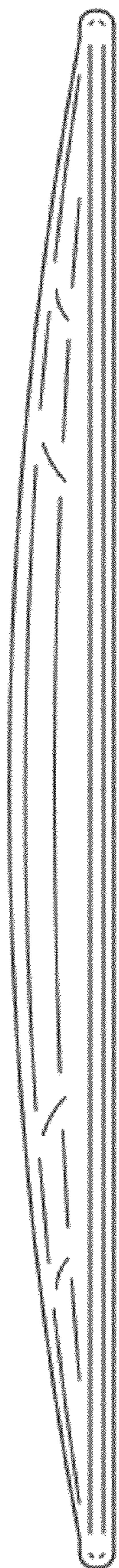


FIG. 5



FIG. 3

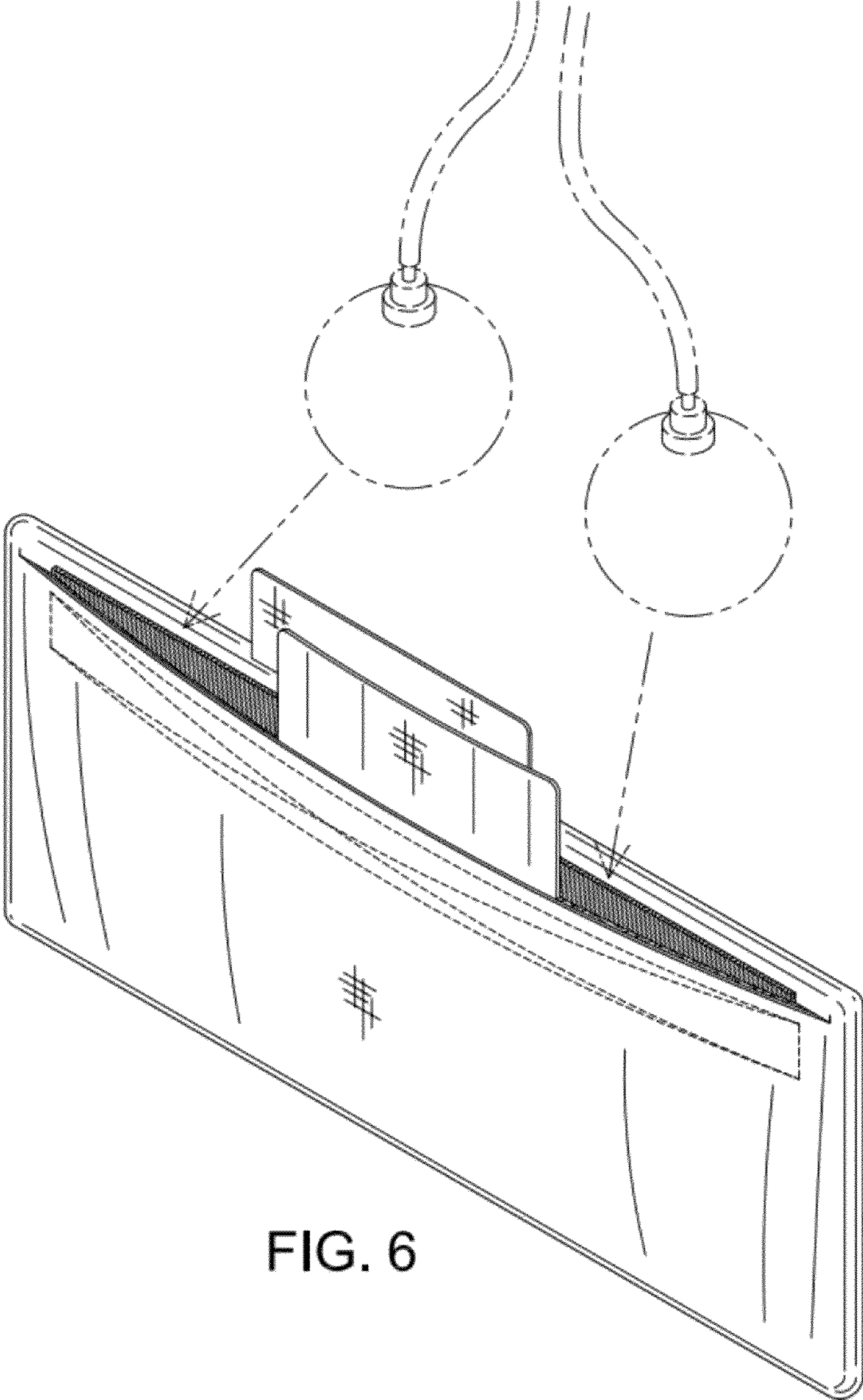


FIG. 6