

US00D666804S

(12) **United States Design Patent**
Rogers

(10) **Patent No.:** **US D666,804 S**

(45) **Date of Patent:** **** Sep. 11, 2012**

(54) **ELECTRONIC DEVICE STORAGE CASE**

(75) Inventor: **Chris Rogers**, London (GB)

(73) Assignee: **Ashtead Retail & Wholesale Ltd.**,
Weybridge, Surrey (GB)

(**) Term: **14 Years**

(21) Appl. No.: **29/369,363**

(22) Filed: **Sep. 7, 2010**

(51) **LOC (9) Cl.** **03-01**

(52) **U.S. Cl.** **D3/201; D3/900**

(58) **Field of Classification Search** D3/201,
D3/247–248, 253, 269, 27, 274, 276, 289,
D3/29, 301, 303, 900, 902; 206/305, 320;
D19/91; D6/407, 632–634; 190/102, 111,
190/115, 127, 901–902; 361/679.55

See application file for complete search history.

(56) **References Cited**

U.S. PATENT DOCUMENTS

D358,935 S * 6/1995 Chang et al. D3/289
D497,051 S * 10/2004 Nieves D3/301
D506,066 S * 6/2005 Nieves D3/303
7,333,327 B1 * 2/2008 Ho et al. 361/679.55

D648,530 S * 11/2011 Hilton D3/274
D654,263 S * 2/2012 Mahmood et al. D3/201
D655,084 S * 3/2012 Shor et al. D3/276

* cited by examiner

Primary Examiner — Catheri Oliver

(74) *Attorney, Agent, or Firm* — Sheridan Ross P.C.

(57) **CLAIM**

The ornamental design for an electronic device storage case,
as shown and described.

DESCRIPTION

FIG. 1 is a front elevation view of a storage case for an
electronic device shown in a first position of use;
FIG. 2 is a top plan view thereof;
FIG. 3 is a bottom plan view thereof;
FIG. 4 is a right elevation view thereof;
FIG. 5 is a rear elevation view thereof;
FIG. 6 is a left elevation view thereof;
FIG. 7 is a front perspective view of the storage case for an
electronic device provided in FIG. 1 and shown in a second
position of use;
FIG. 8 is a rear perspective view of the storage case shown in
the second position of use; and,
FIG. 9 is a rear perspective view of the storage case for an
electronic device shown in a third position of use.
The broken lines showing environment are for illustrative
purposes only and form no part of the claimed design.

1 Claim, 4 Drawing Sheets

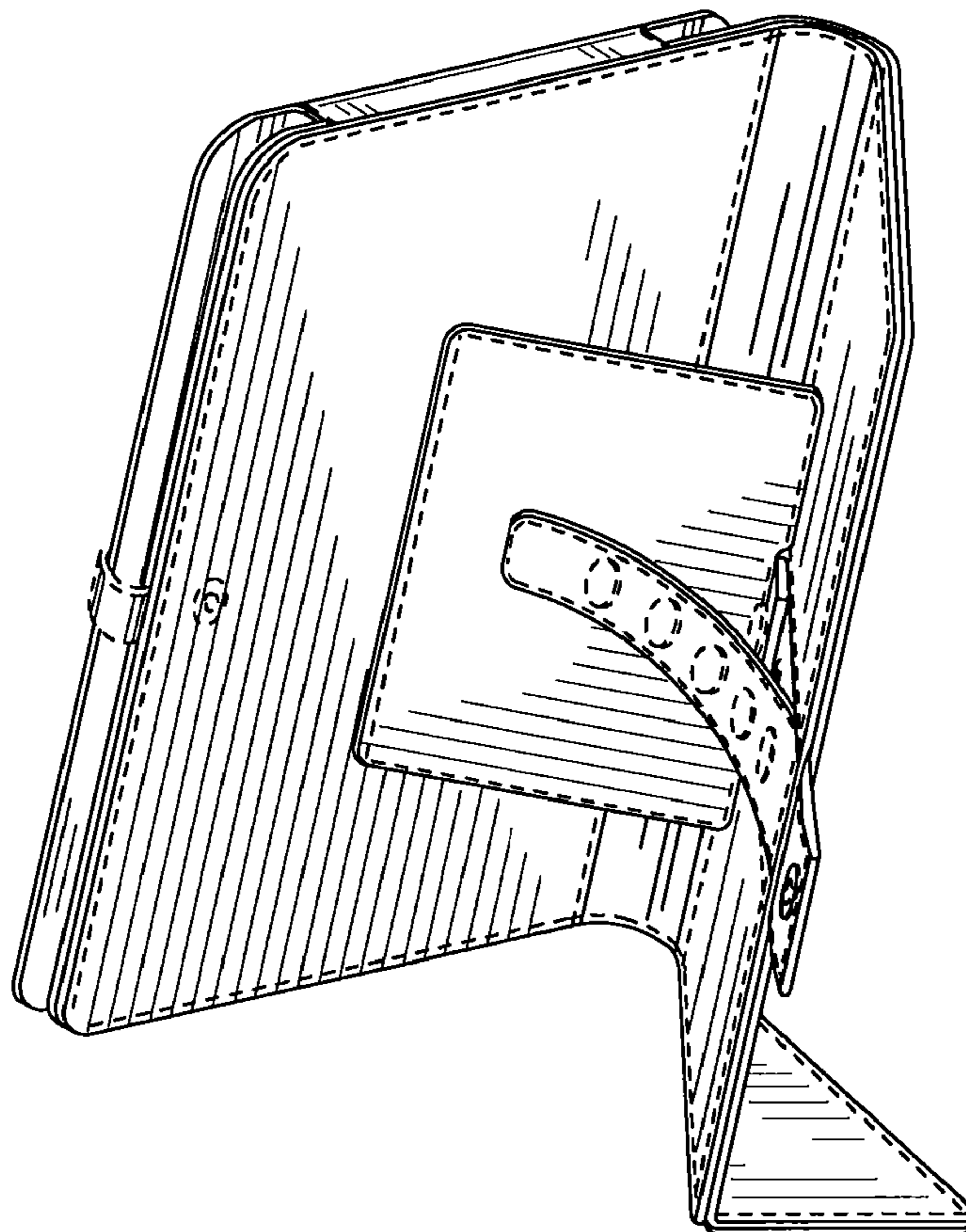


Fig. 1

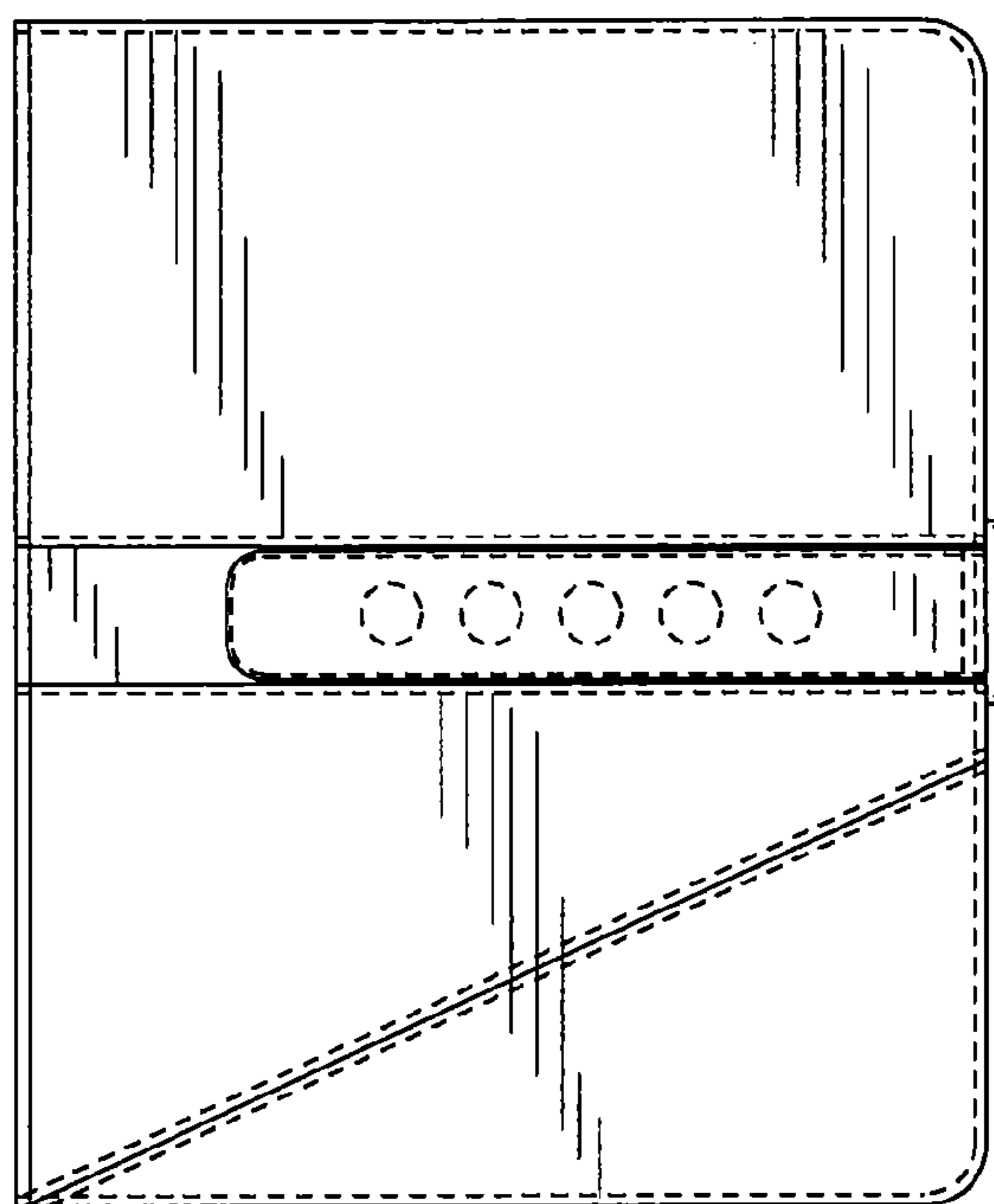


Fig. 2

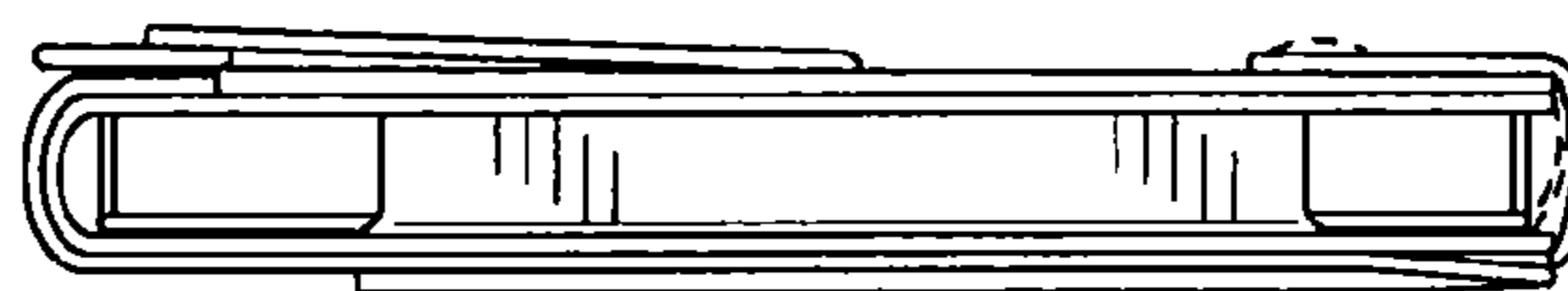


Fig. 3

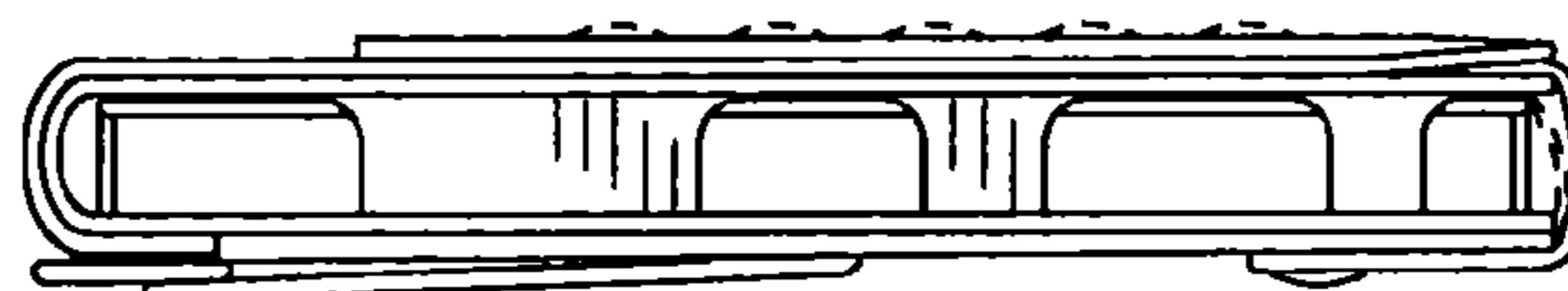


Fig. 5

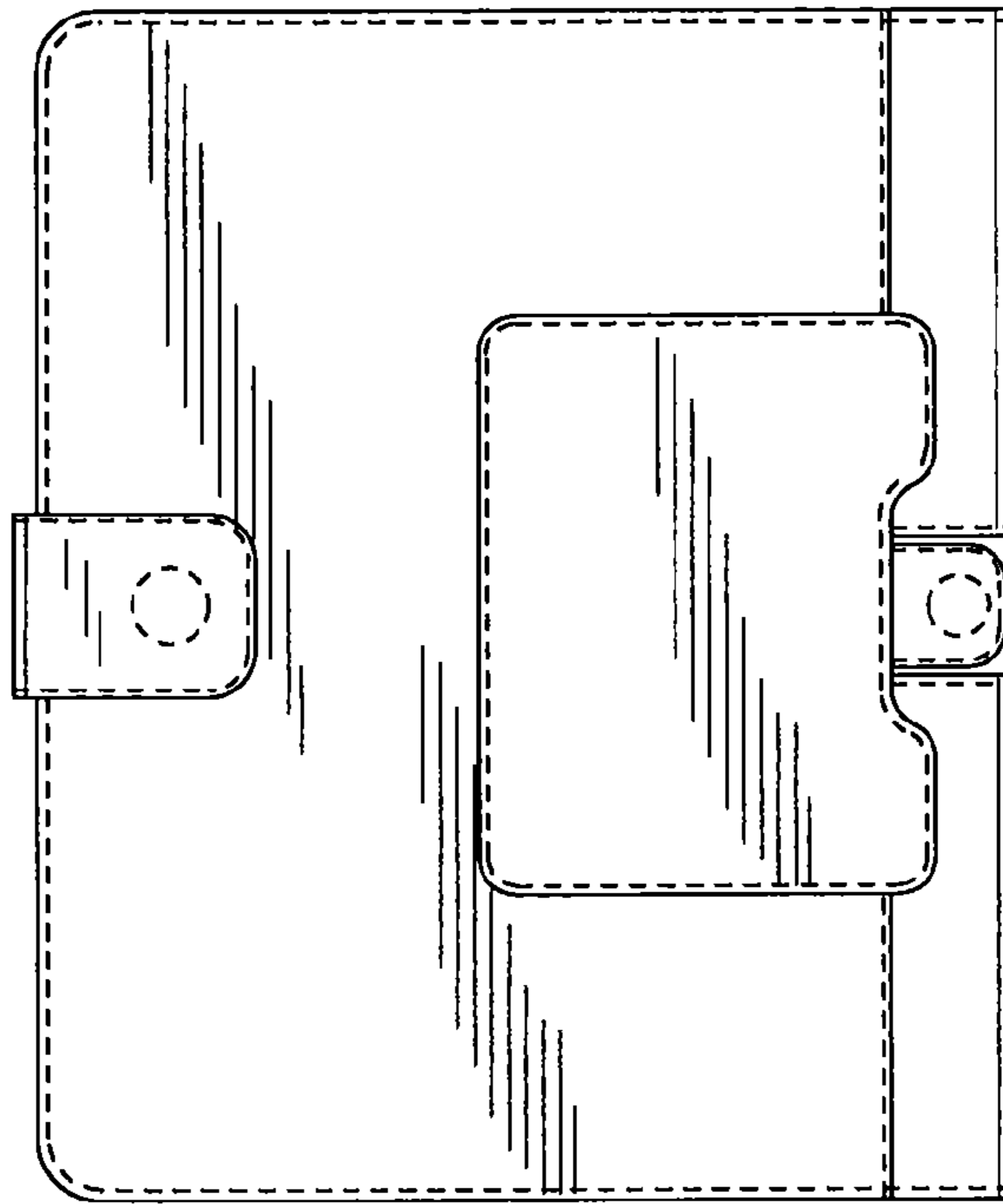


Fig. 4

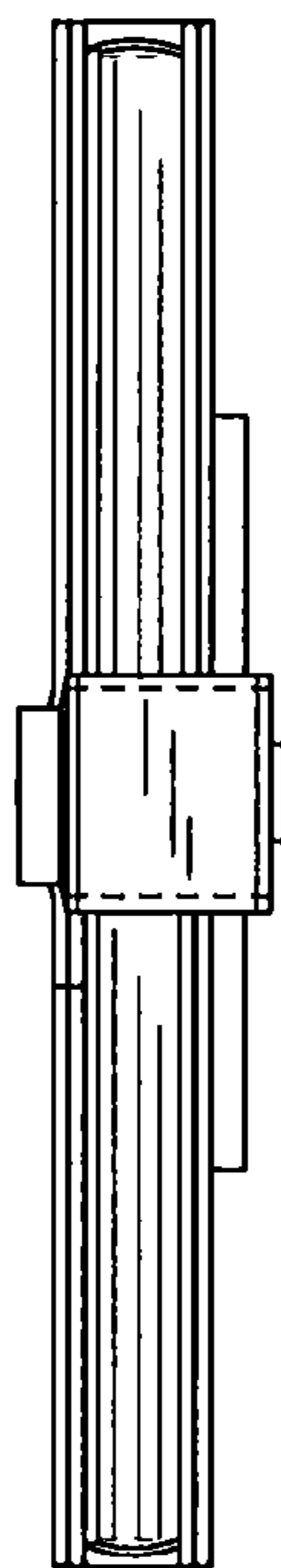
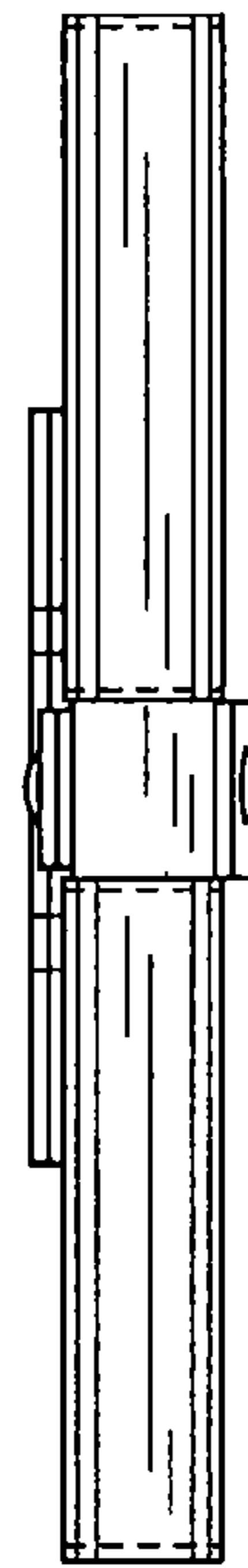


Fig. 6



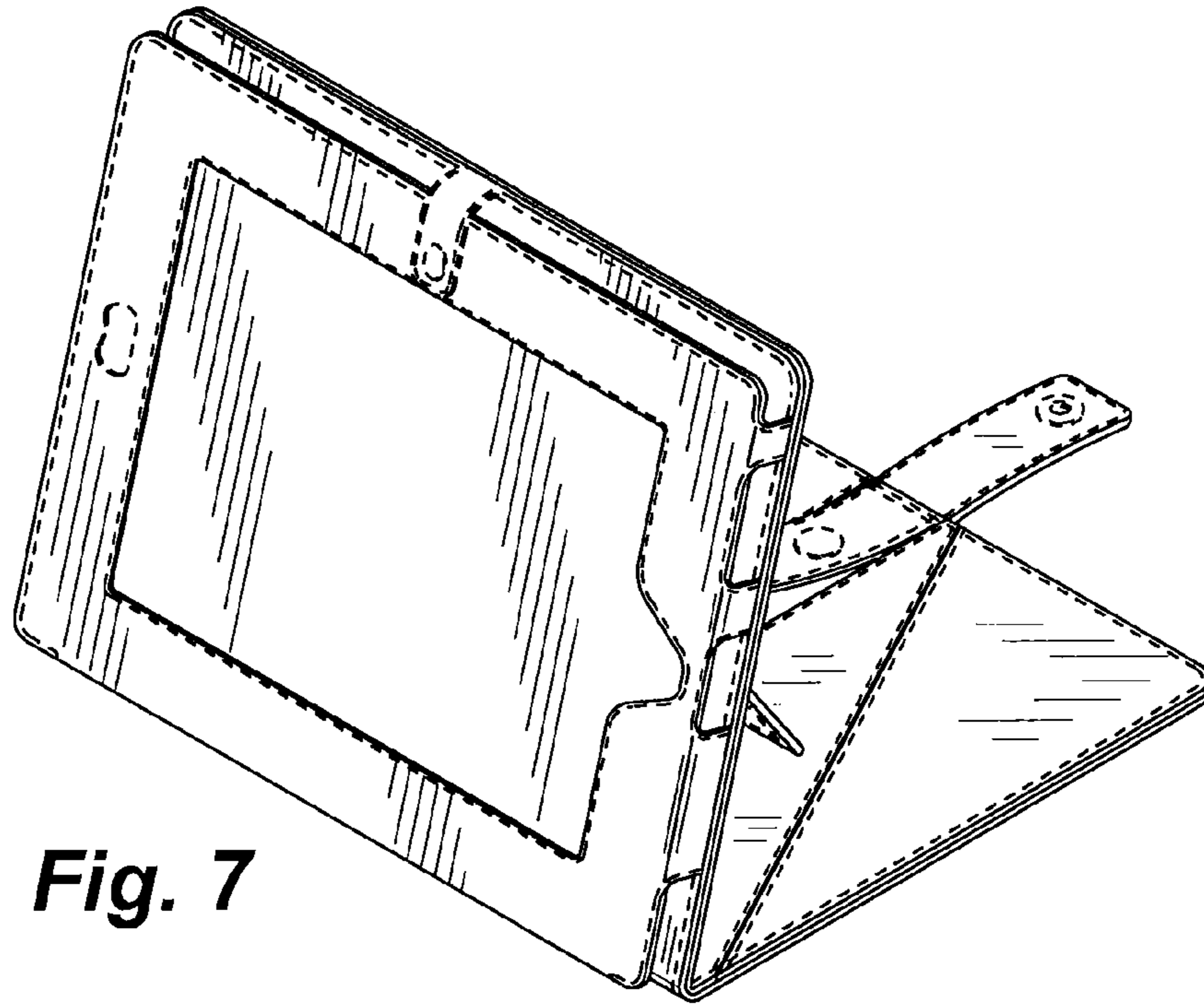


Fig. 7

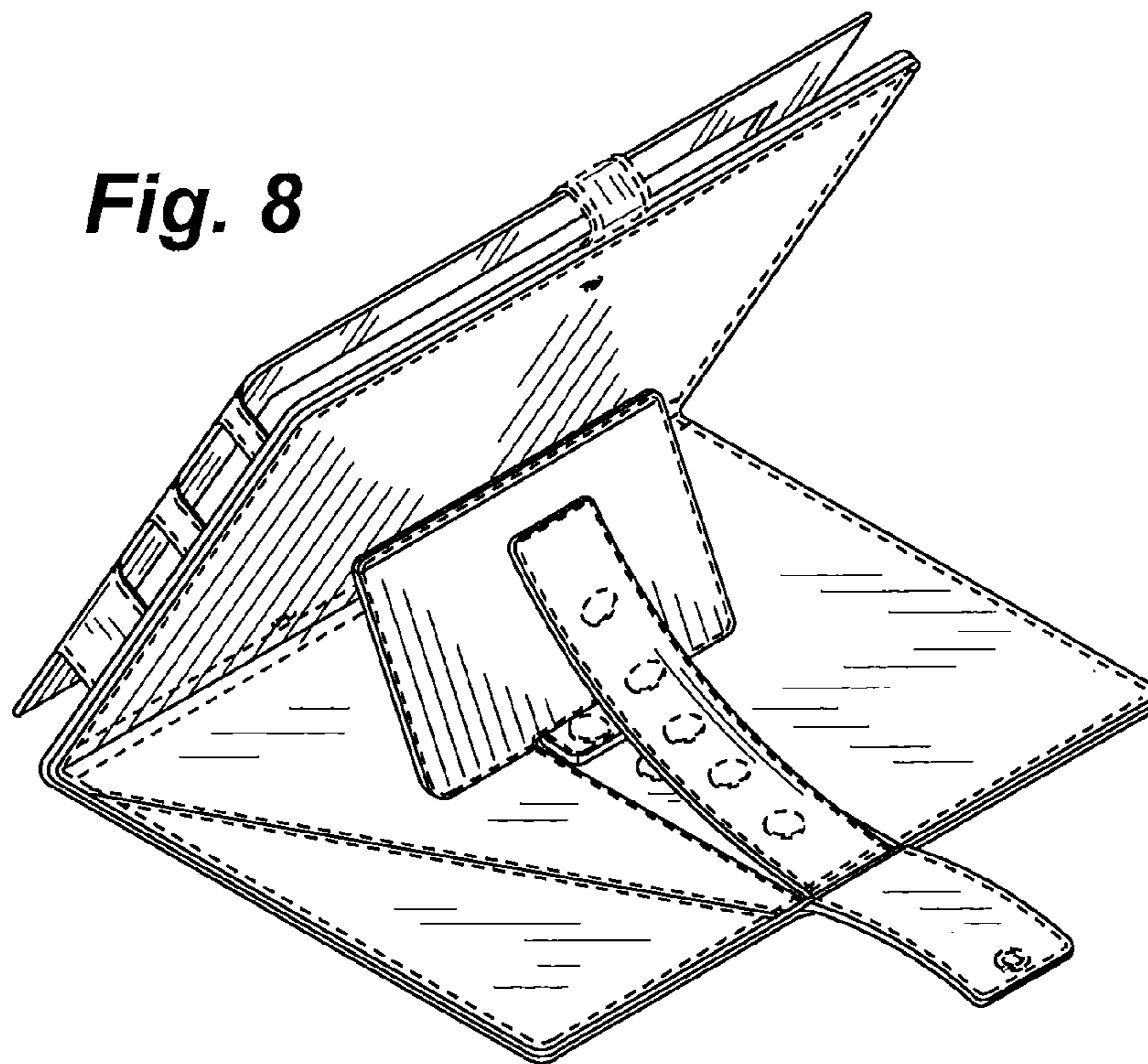


Fig. 8

Fig. 9

