

US00D666780S

(12) **United States Design Patent**
Novich et al.

(10) **Patent No.:** **US D666,780 S**

(45) **Date of Patent:** **** Sep. 4, 2012**

(54) **BEE NESTING HABITAT**

(75) Inventors: **Lisa Novich**, Sammamish, WA (US);
Pat Thayer, Riverton, WY (US); **Rob Wright**, Riverton, WY (US)

(73) Assignee: **Lisa Novich**, Sammamish, WA (US)

(**) Term: **14 Years**

(21) Appl. No.: **29/355,128**

(22) Filed: **Feb. 3, 2010**

(51) **LOC (9) Cl.** **30-02**

(52) **U.S. Cl.** **D30/108**

(58) **Field of Classification Search** D30/108-112,
D30/118-120, 125, 161; 119/482; D21/506,
D21/509, 510, 511; 446/75, 76, 108, 109,
446/110, 476-478; D99/30

See application file for complete search history.

(56) **References Cited**

U.S. PATENT DOCUMENTS

1,336,523	A	4/1920	Karpinski	
2,915,040	A *	12/1959	Ward	119/431
2,951,312	A *	9/1960	Eng	446/110
3,191,199	A	6/1965	Barnes	
D215,855	S *	11/1969	Henreid	D30/111
3,792,685	A *	2/1974	Wiener	119/432
4,365,372	A	12/1982	Norman	
4,628,558	A	12/1986	Pederson	
4,787,108	A	11/1988	Norman	
5,618,220	A	4/1997	Mills	
6,364,738	B1	4/2002	Kendell et al.	

D473,351	S *	4/2003	Critchley	D30/161
7,086,924	B2	8/2006	Mills	
D626,699	S *	11/2010	Tang	D30/110
7,927,178	B2 *	4/2011	Alazemi	449/26
2007/0218804	A1	9/2007	Allan et al.	
2010/0105282	A1 *	4/2010	Alazemi	449/26

* cited by examiner

Primary Examiner — Jonathan Windmuller

(74) *Attorney, Agent, or Firm* — Antoinette M. Tease

(57) **CLAIM**

The ornamental design for a bee nesting habitat, as shown and described.

DESCRIPTION

FIG. 1 is a top view of a bee nesting habitat showing my new design.

FIG. 2 is a bottom view of a bee nesting habitat showing my new design.

FIG. 3 is a first side view of a bee nesting habitat showing my new design.

FIG. 4 is a second side view of a bee nesting habitat showing my new design.

FIG. 5 is a front view of a bee nesting habitat showing my new design.

FIG. 6 is a rear view of a bee nesting habitat showing my new design.

FIG. 7 is a bottom perspective view of a bee nesting habitat showing my new design.

FIG. 8 is a perspective view of a stackable tray of the bee nesting habitat, shown separately for ease of disclosure; and, FIG. 9 is a bottom perspective view of a bee nesting habitat with the attic door open showing my new design.

1 Claim, 5 Drawing Sheets

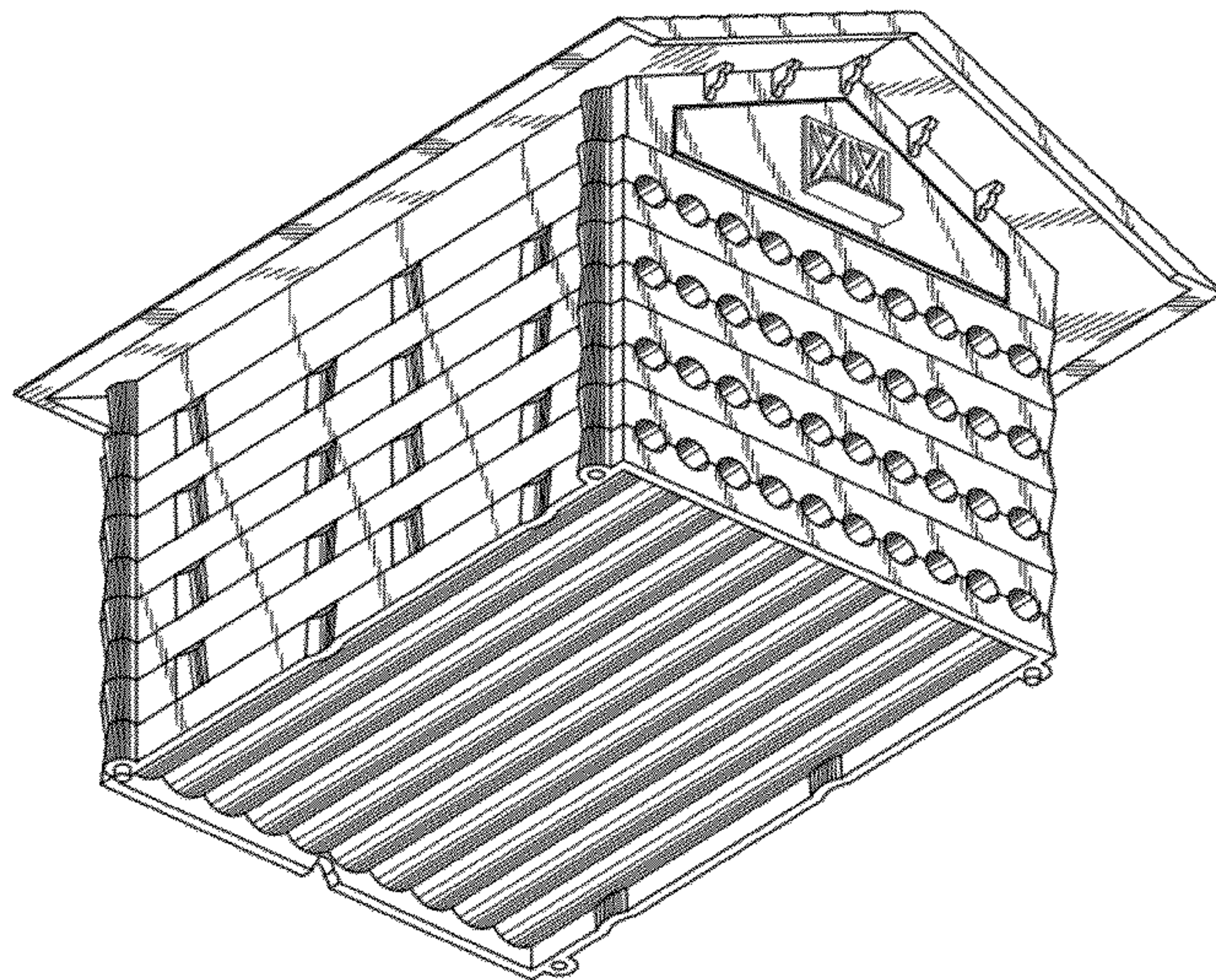
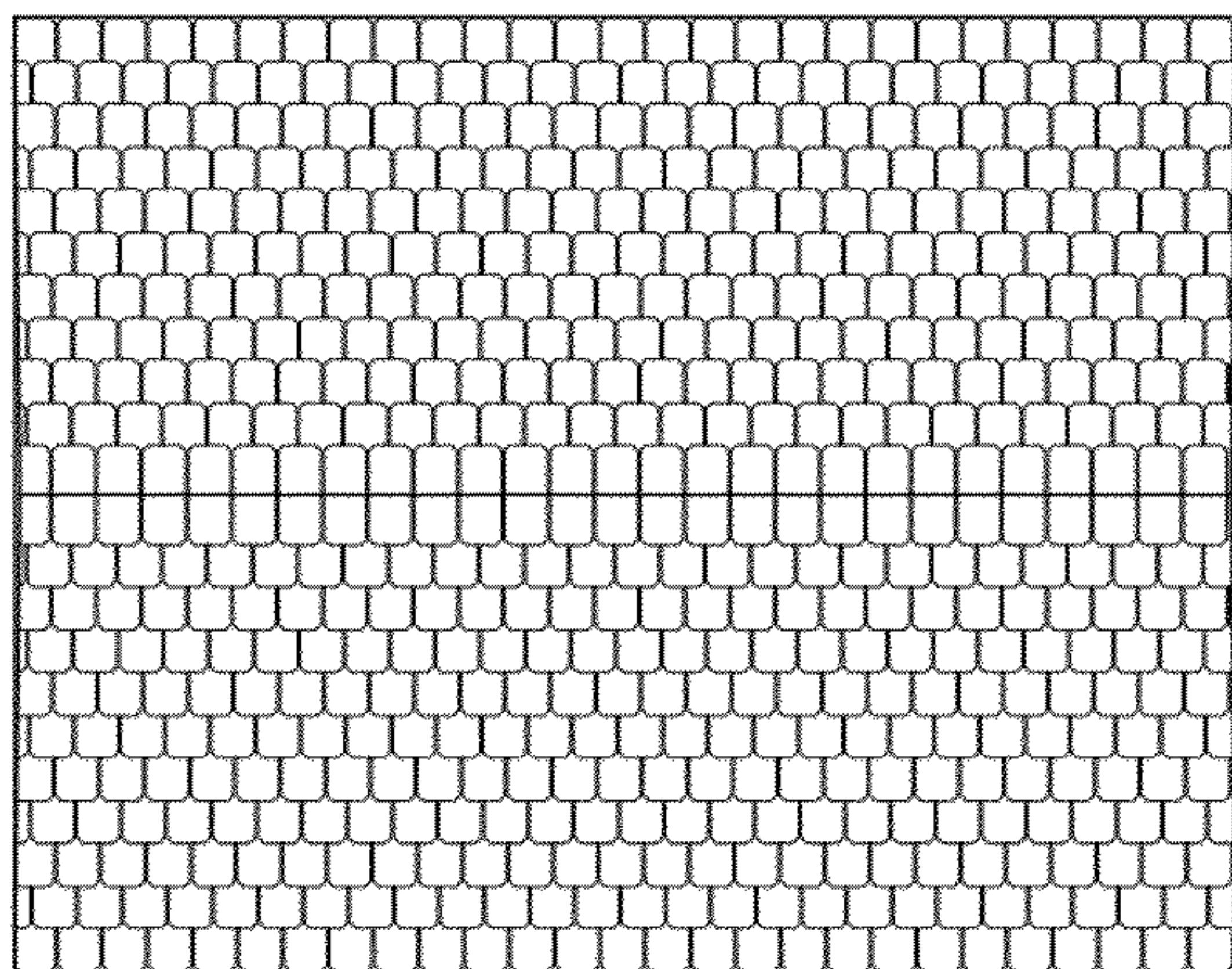


Fig.1

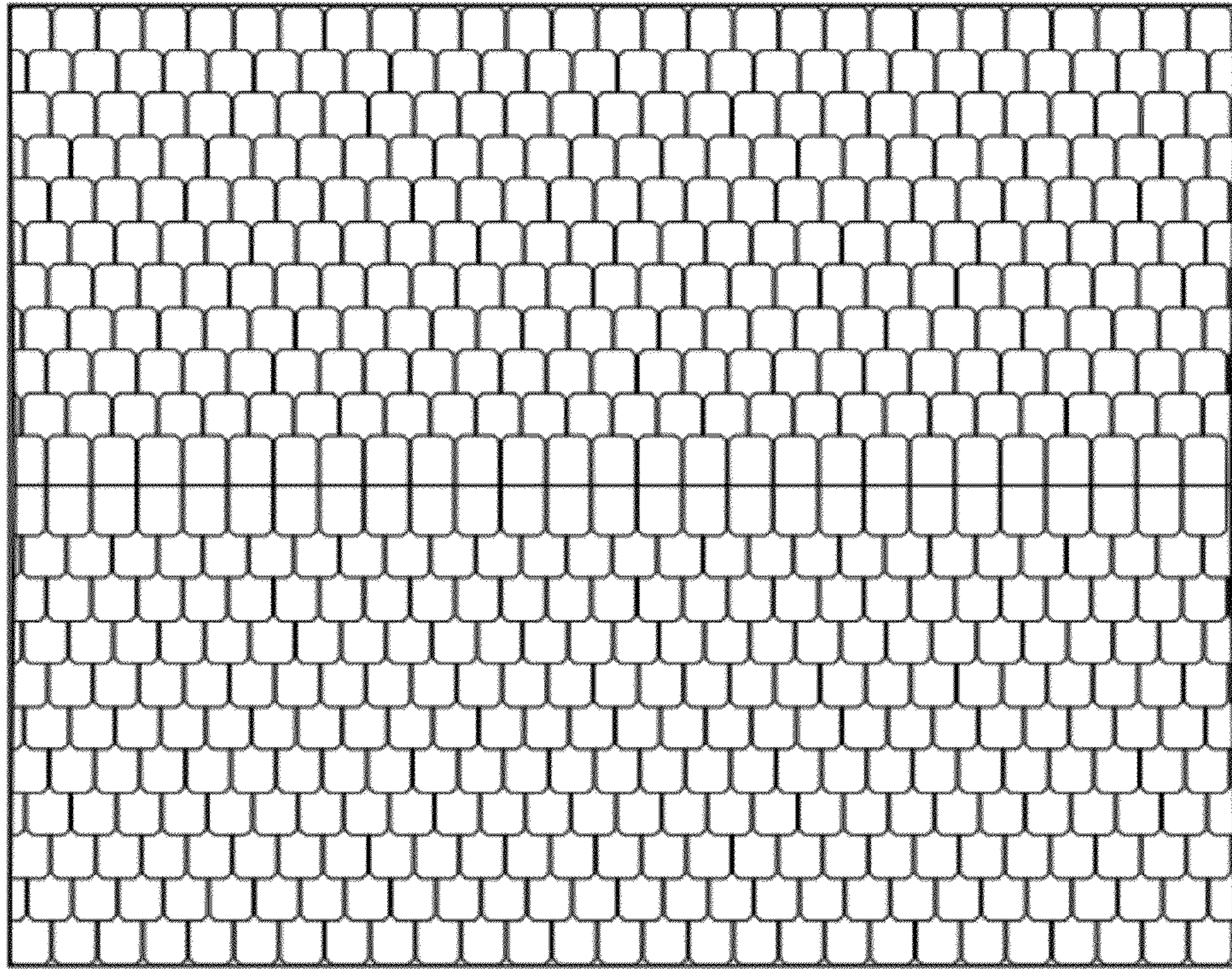
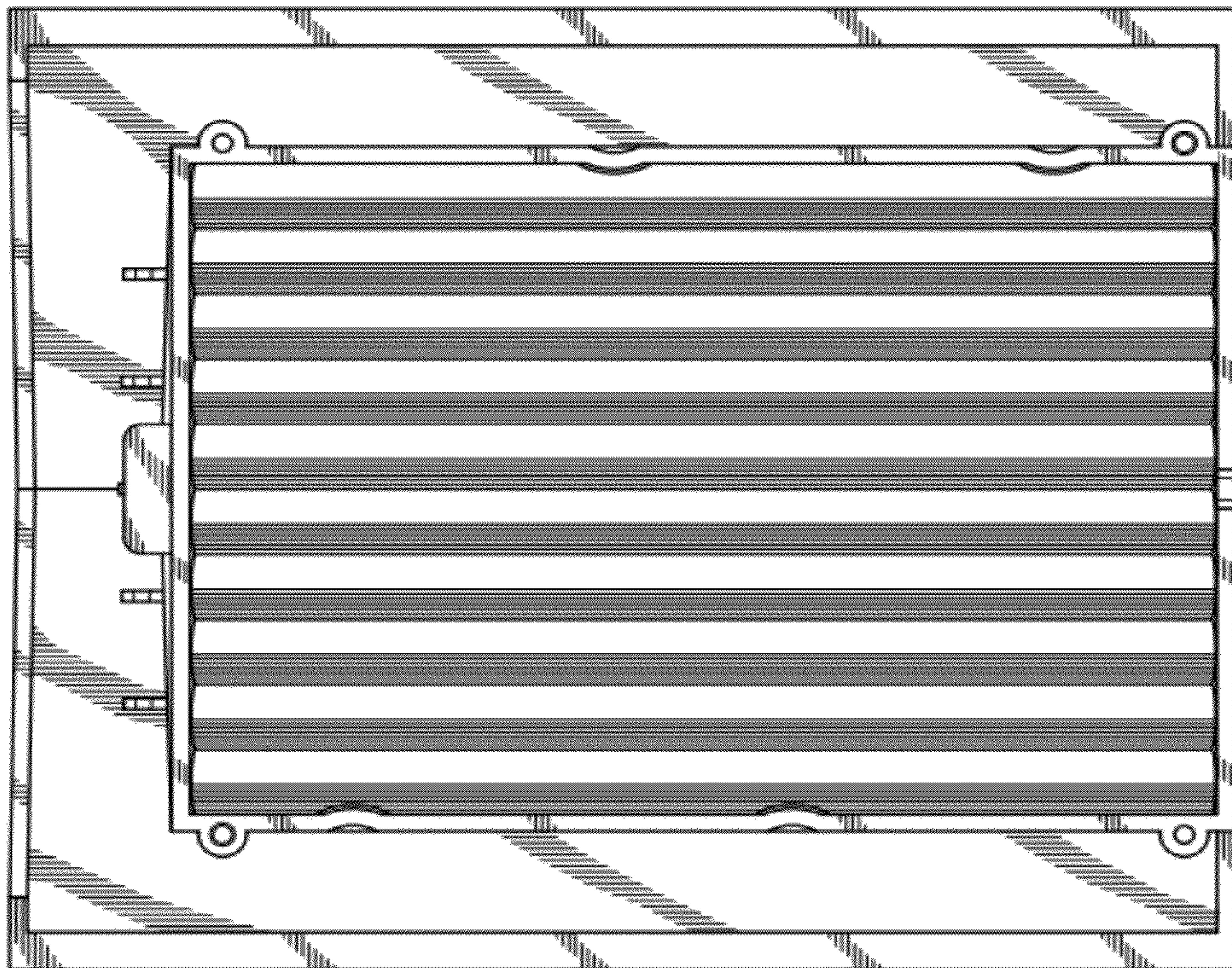
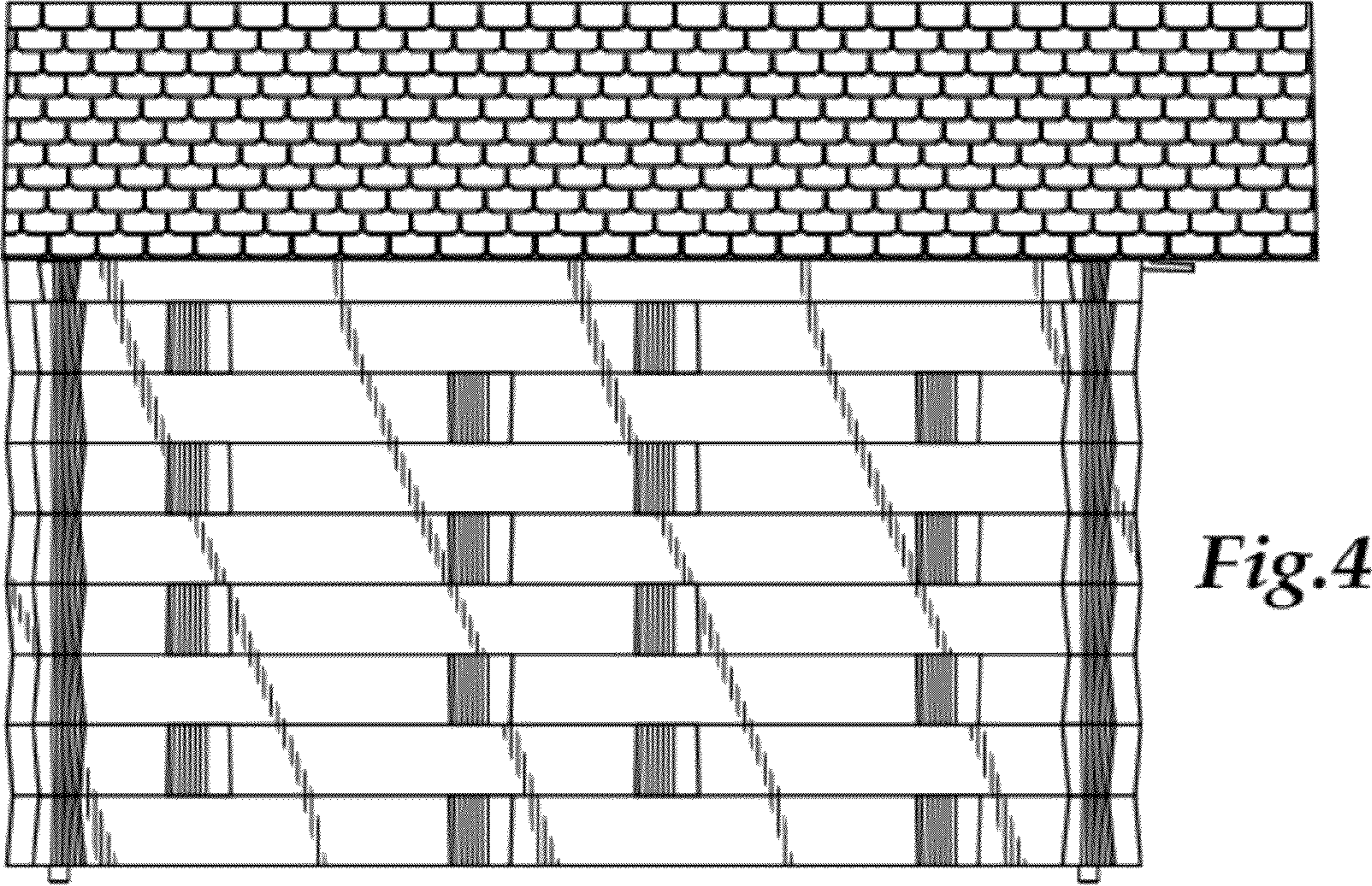
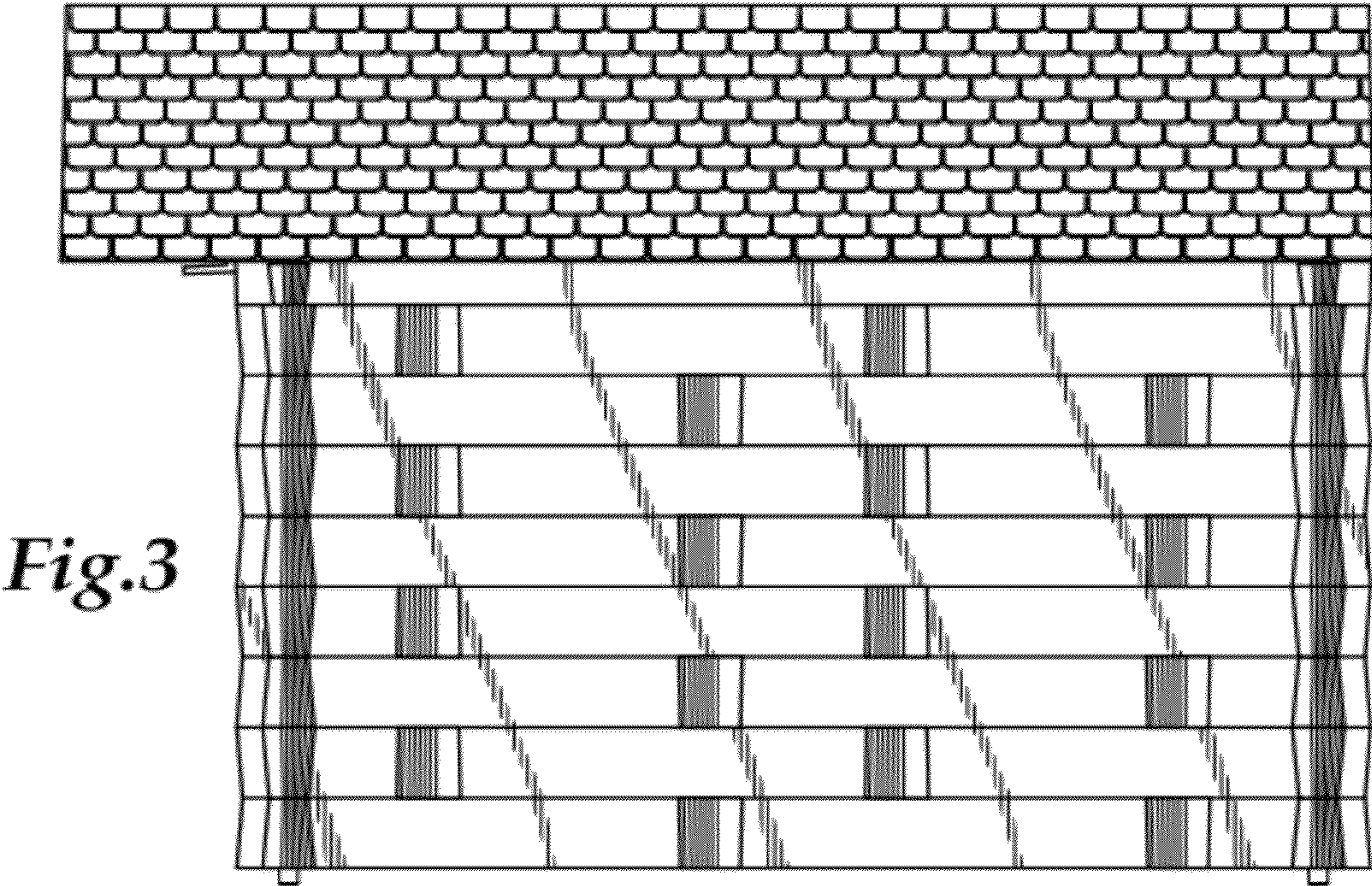


Fig.2





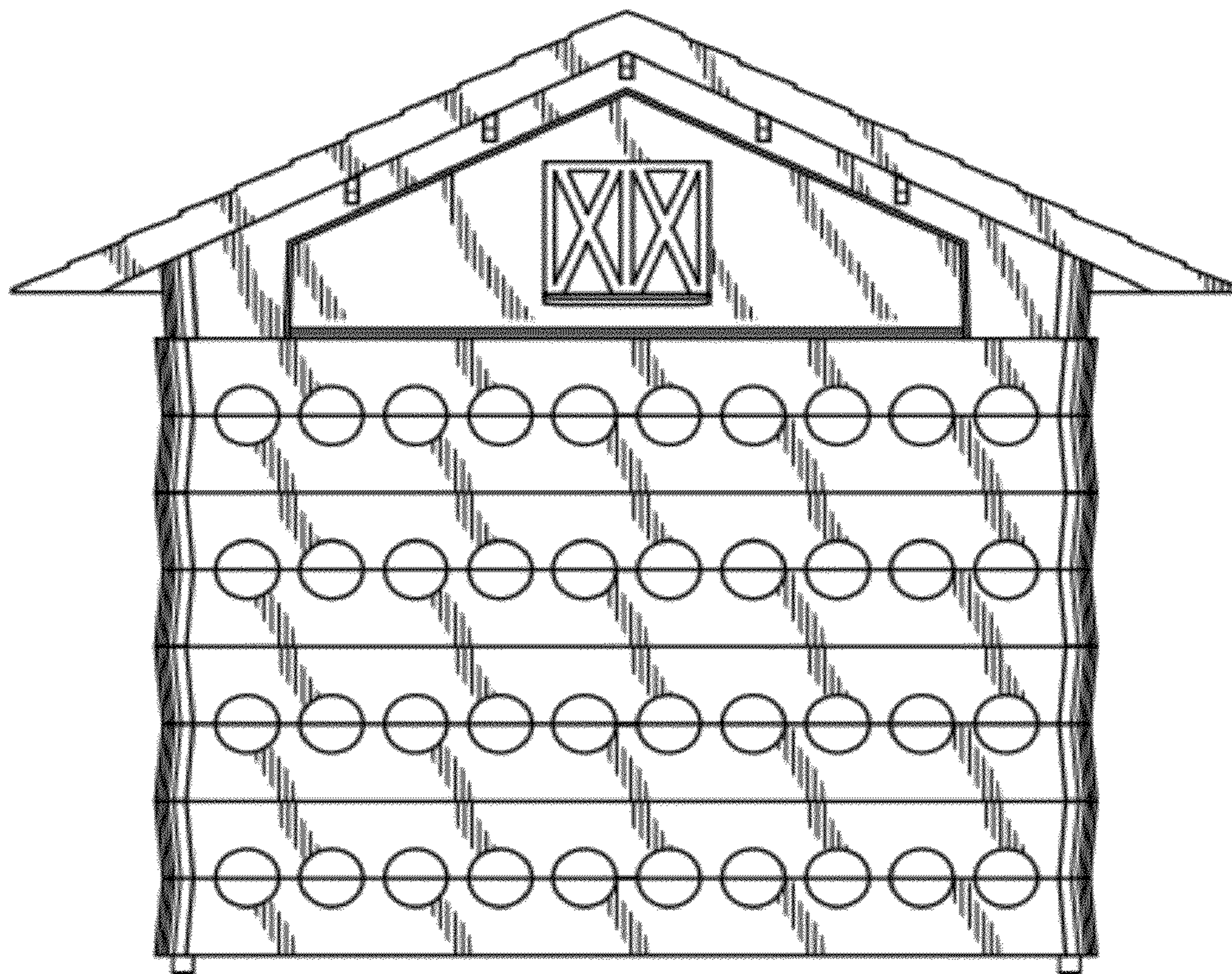


Fig.5

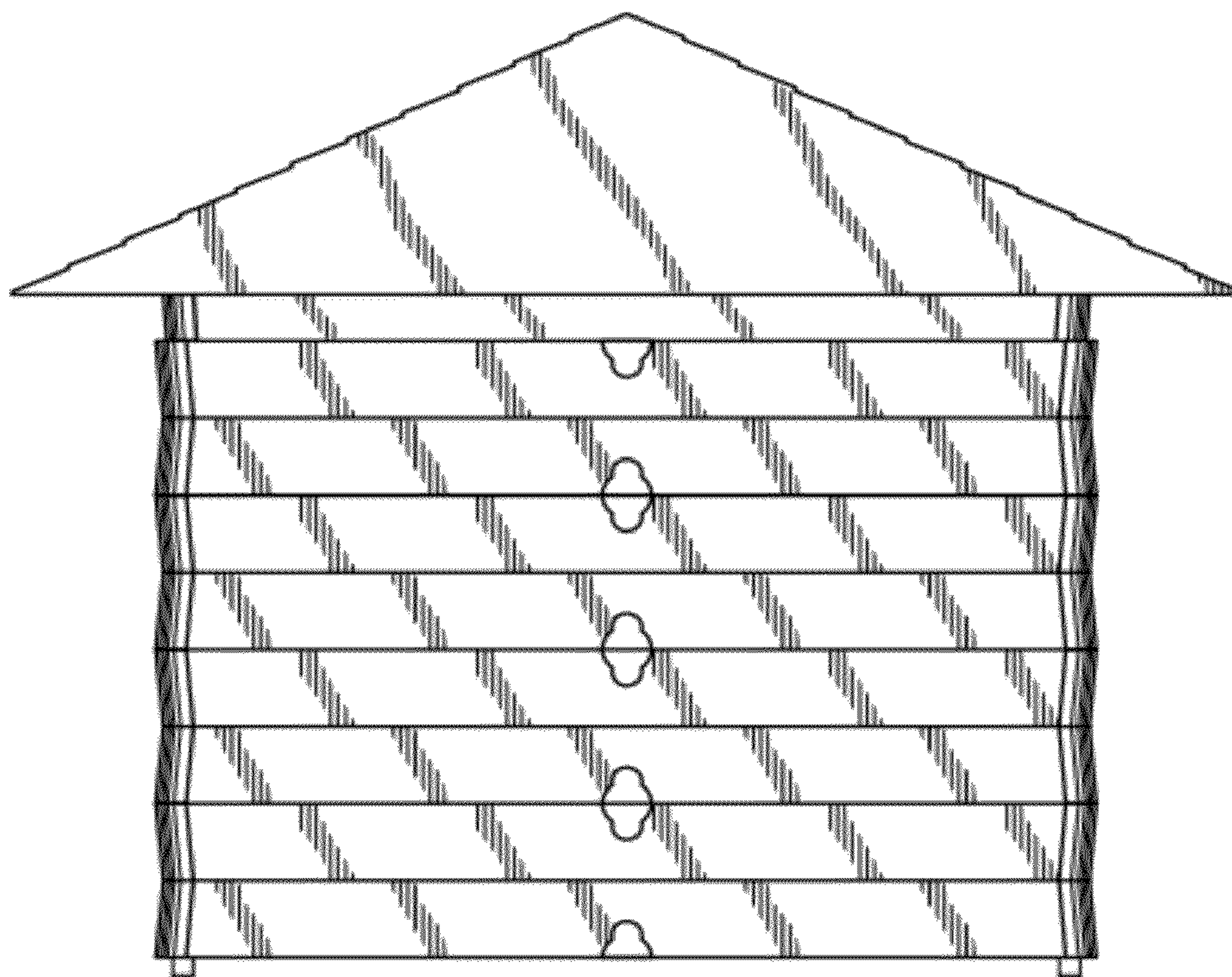


Fig.6

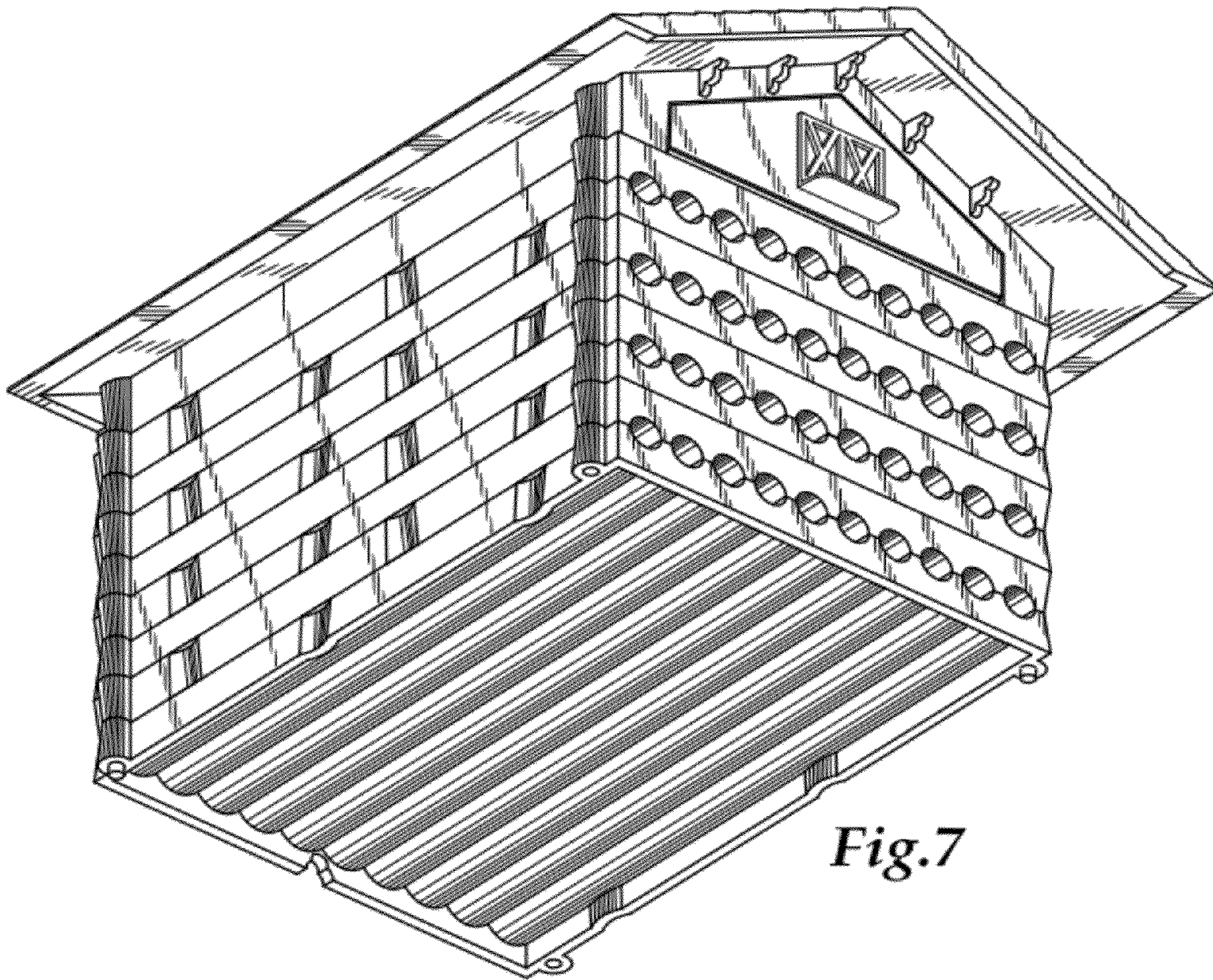


Fig.7

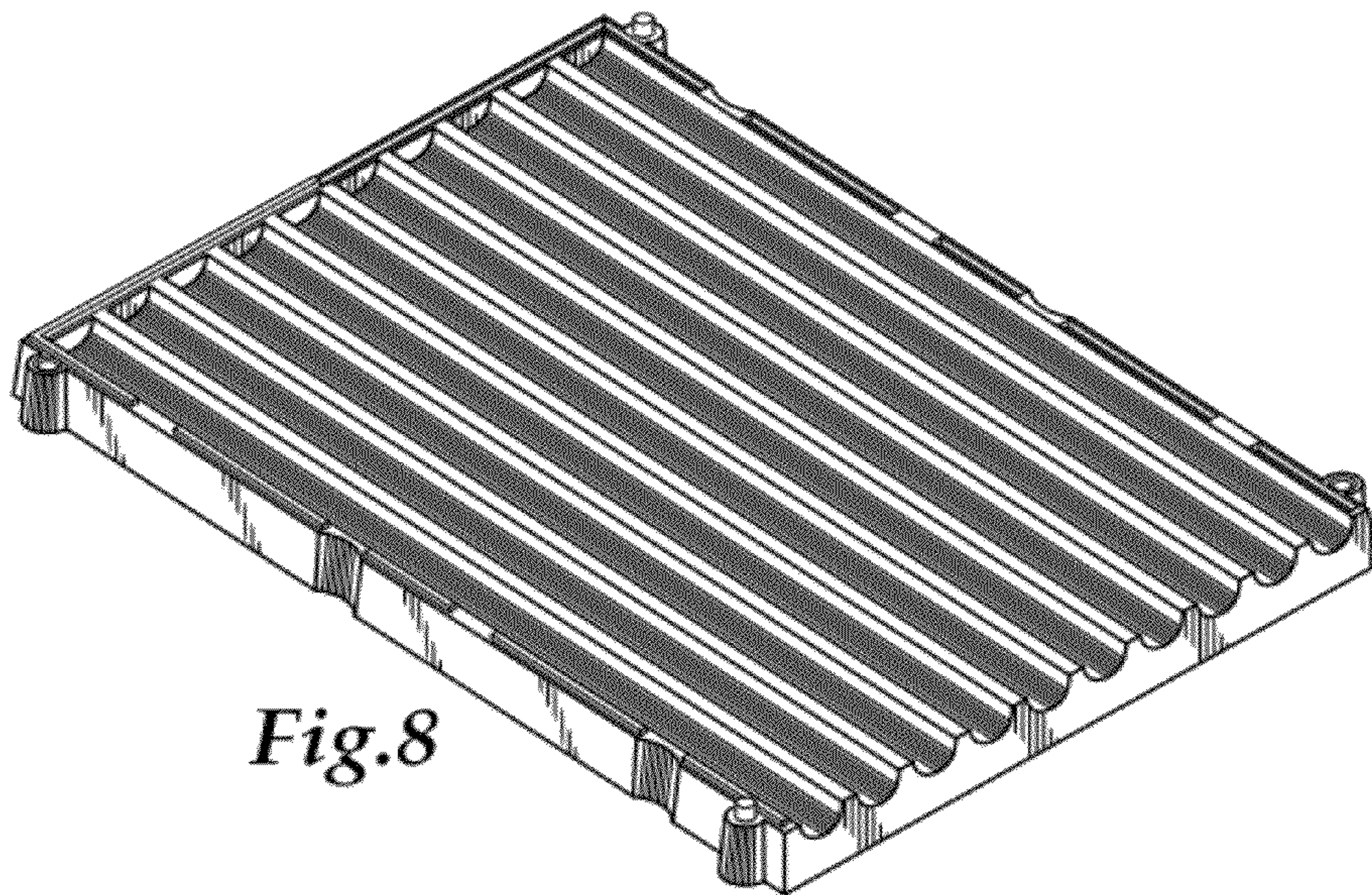


Fig.8

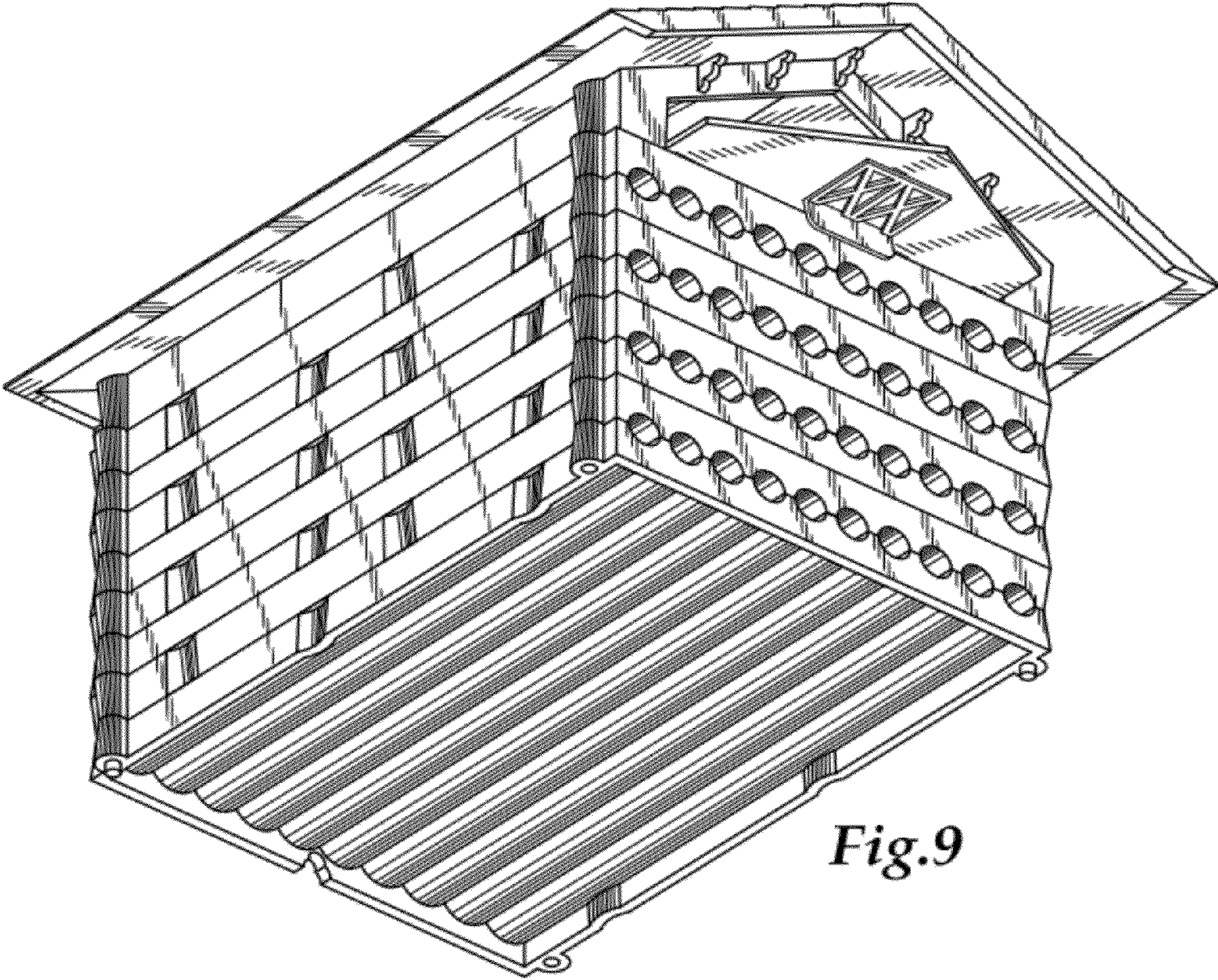


Fig.9