



US00D666778S

(12) **United States Design Patent**  
**Juhlin et al.**

(10) **Patent No.:** **US D666,778 S**  
(45) **Date of Patent:** **\*\* Sep. 4, 2012**

(54) **WELDING HELMET FEATURE CONTOUR**

(75) Inventors: **Oskar Juhlin**, Gustavsberg (SE);  
**Martin Birath**, Lidingö (SE); **Björn Daniels**, Vikarbyn (SE)

(73) Assignee: **3M Innovative Properties Company**,  
St. Paul, MN (US)

(\*\*) Term: **14 Years**

(21) Appl. No.: **29/368,909**

(22) Filed: **Aug. 31, 2010**

(30) **Foreign Application Priority Data**

Mar. 10, 2010 (EM) ..... 001200901

(51) **LOC (9) Cl.** ..... **29-02**

(52) **U.S. Cl.** ..... **D29/122**

(58) **Field of Classification Search** ..... D29/100,  
D29/102, 104, 105, 106, 107, 108, 109, 110,  
D29/111, 122; D2/878, 879, 882; D24/110.1,  
D24/110.2, 110.3; 2/455, 410, 8.1-8.4, 8.7,  
2/9, 422-425, 15, 6.3, 6.5, 6.7, 7, 206, 417-419,  
2/171, 205, 431, 432; 128/206.12, 206.13,  
128/206.28, 206.24, 857

See application file for complete search history.

(56) **References Cited**

**U.S. PATENT DOCUMENTS**

3,594,816 A	7/1971	Webb	
D250,067 S	10/1978	Land, Jr.	
4,495,657 A *	1/1985	Bay	2/10
D297,179 S	8/1988	Seehaus et al.	
5,131,101 A	7/1992	Chin	
D331,129 S	11/1992	Heinrich	
D356,188 S	3/1995	Kittelsen	
D365,666 S	12/1995	Gumpp	
5,970,514 A	10/1999	Wang-Lee	
D418,255 S	12/1999	Hohdorf	
D420,468 S	2/2000	Egger	
6,038,705 A *	3/2000	Jarvis	2/424
D445,546 S	7/2001	Gafforio	

D475,815 S	6/2003	Kalhok	
D482,502 S *	11/2003	Huh	D29/110
D492,820 S	7/2004	Fournier	
D497,223 S	10/2004	Kalhok	
D517,744 S	3/2006	Lee	
D524,992 S *	7/2006	Belin et al.	D29/122
D526,097 S *	8/2006	Lilenthal et al.	D29/122
D526,745 S	8/2006	Hohdorf	
D532,163 S	11/2006	Curran	
D539,988 S *	4/2007	Crafoord et al.	D29/122
D565,800 S	4/2008	Wang	

(Continued)

**FOREIGN PATENT DOCUMENTS**

CA 125936 1/2009

(Continued)

**OTHER PUBLICATIONS**

Juhlin, et al., 3M Speedglas 9100 iF International Forum Design GmbH, ©2009, Verlag, ISBN: 978-3-7643-8981-9.

(Continued)

*Primary Examiner* — Elizabeth J Oswecki

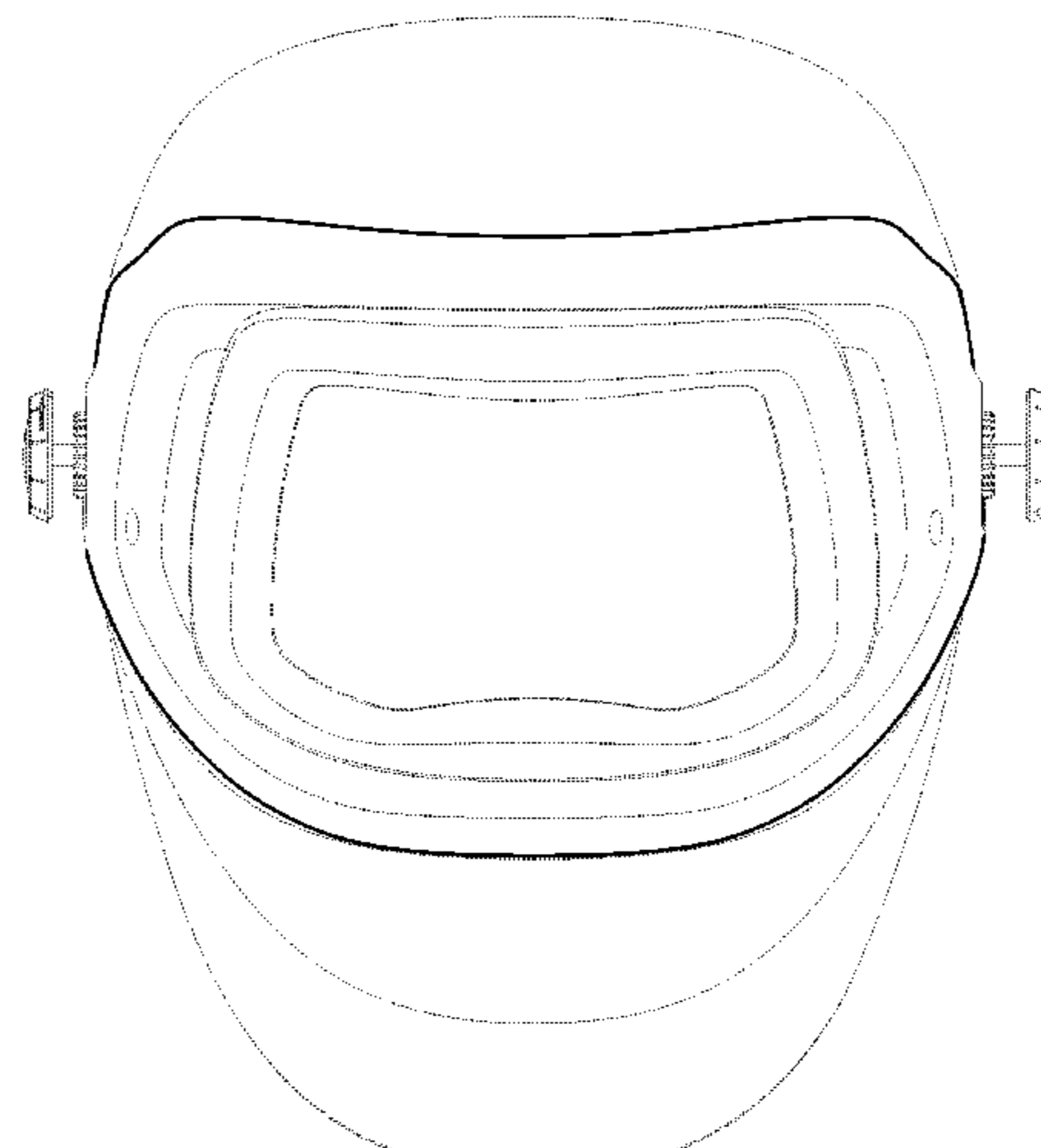
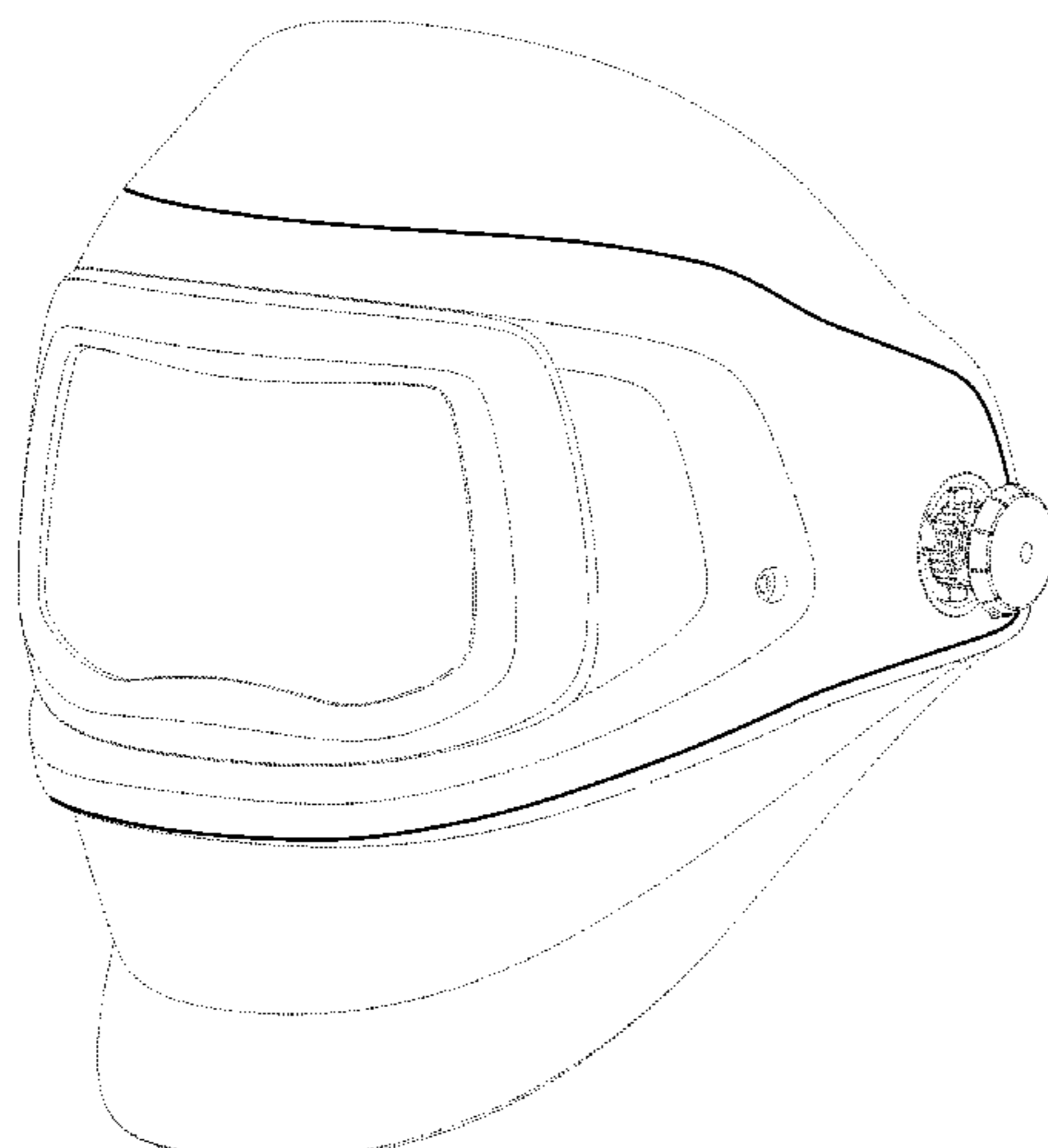
(57) **CLAIM**

The ornamental design for a welding helmet feature contour, as shown and described.

**DESCRIPTION**

FIG. 1 is a perspective view of a welding helmet feature contour showing our new design; FIG. 2 is a right side view thereof, the left side view being a mirror image thereof; FIG. 3 is a front view thereof; FIG. 4 is a rear view thereof; FIG. 5 is a top view thereof; and, FIG. 6 is a bottom view thereof. The broken lines shown in the drawings represent portions of the welding helmet feature contour that form no part of the claimed design.

**1 Claim, 5 Drawing Sheets**



# US D666,778 S

Page 2

## U.S. PATENT DOCUMENTS

D567,451 S 4/2008 Dion  
D574,558 S 8/2008 Morency  
D583,107 S 12/2008 Morency  
D584,003 S 12/2008 Juhlin  
D584,005 S 12/2008 Morency  
D584,006 S 12/2008 Juhlin  
D584,007 S 12/2008 Juhlin  
D584,008 S 12/2008 Juhlin  
D584,009 S \* 12/2008 Juhlin ..... D29/122  
D585,160 S \* 1/2009 Juhlin ..... D29/122  
D590,547 S 4/2009 Brace  
D590,548 S 4/2009 Johnson  
D597,709 S \* 8/2009 Juhlin ..... D29/122  
D601,308 S 9/2009 Broersma  
D604,911 S \* 11/2009 Juhlin ..... D29/122  
D616,155 S \* 5/2010 Juhlin ..... D29/122

D617,956 S 6/2010 Taylor  
D631,614 S 1/2011 Renaud-Goud  
8,056,152 B2 \* 11/2011 Brace ..... 2/424  
2006/0080761 A1 \* 4/2006 Huh ..... 2/424

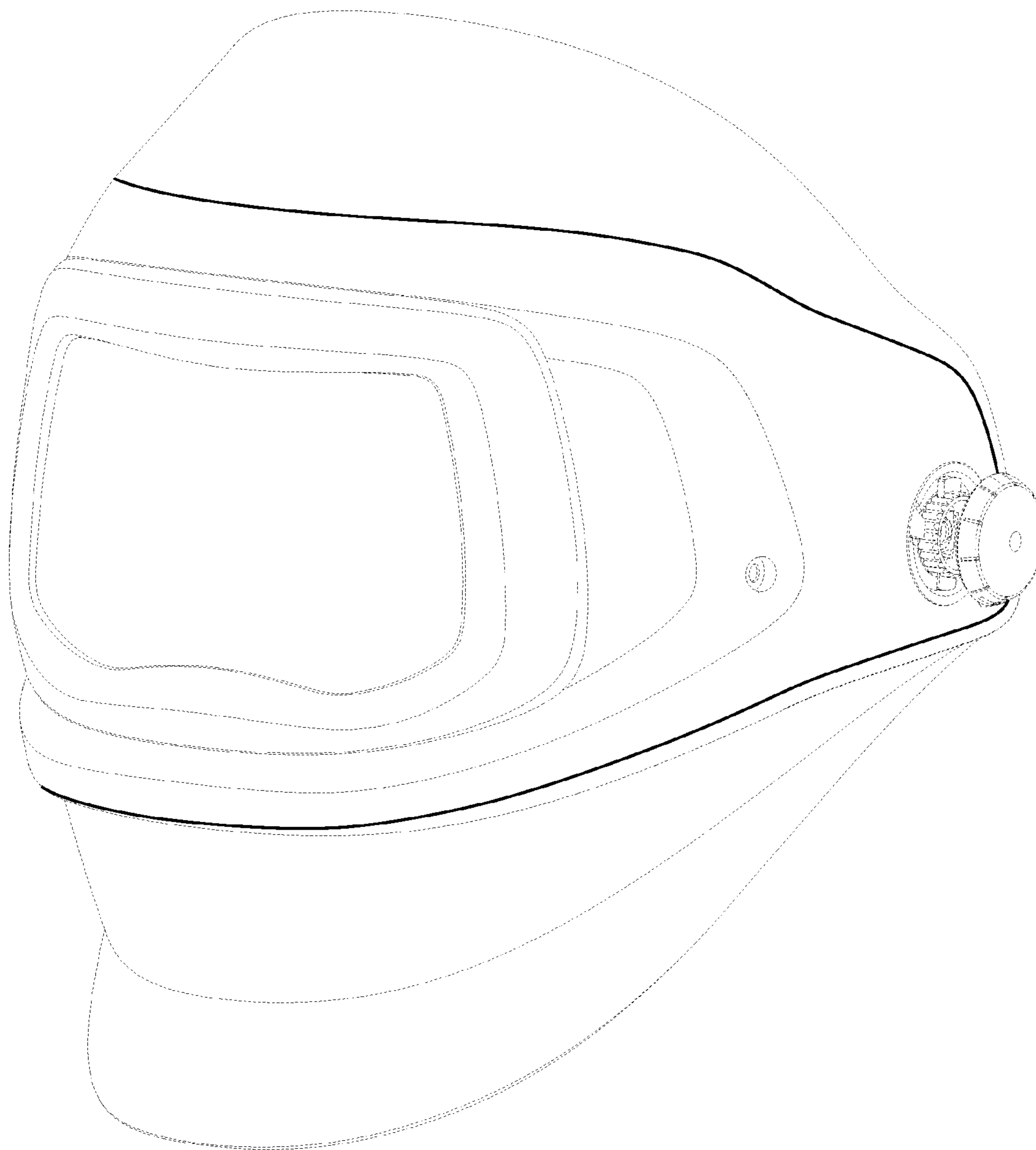
## FOREIGN PATENT DOCUMENTS

CA 125938 1/2009  
CA 125939 1/2009  
EM 0009754380001D 8/2008  
JP 1351393 1/2009  
KR 300528687D 5/2009

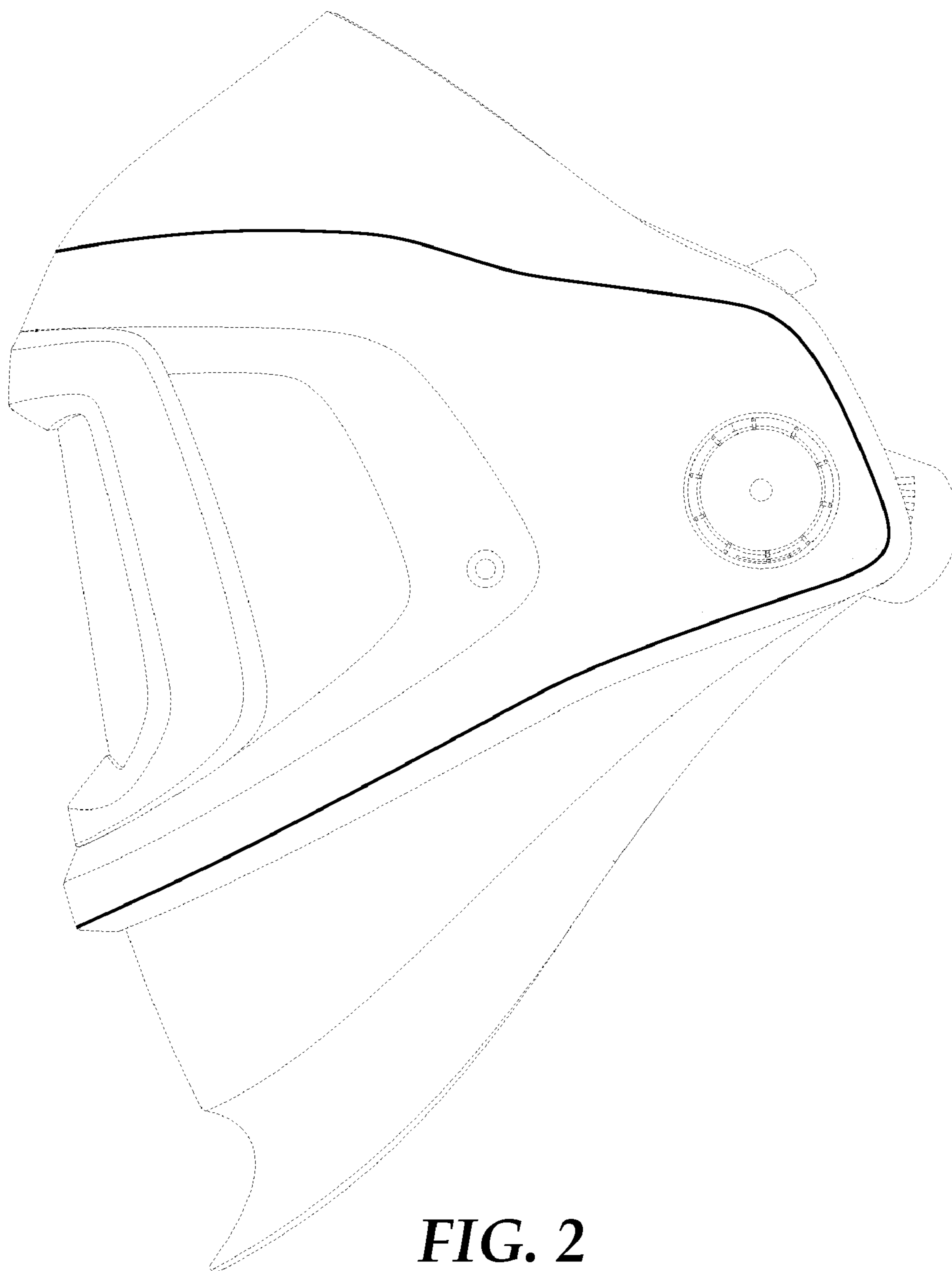
## OTHER PUBLICATIONS

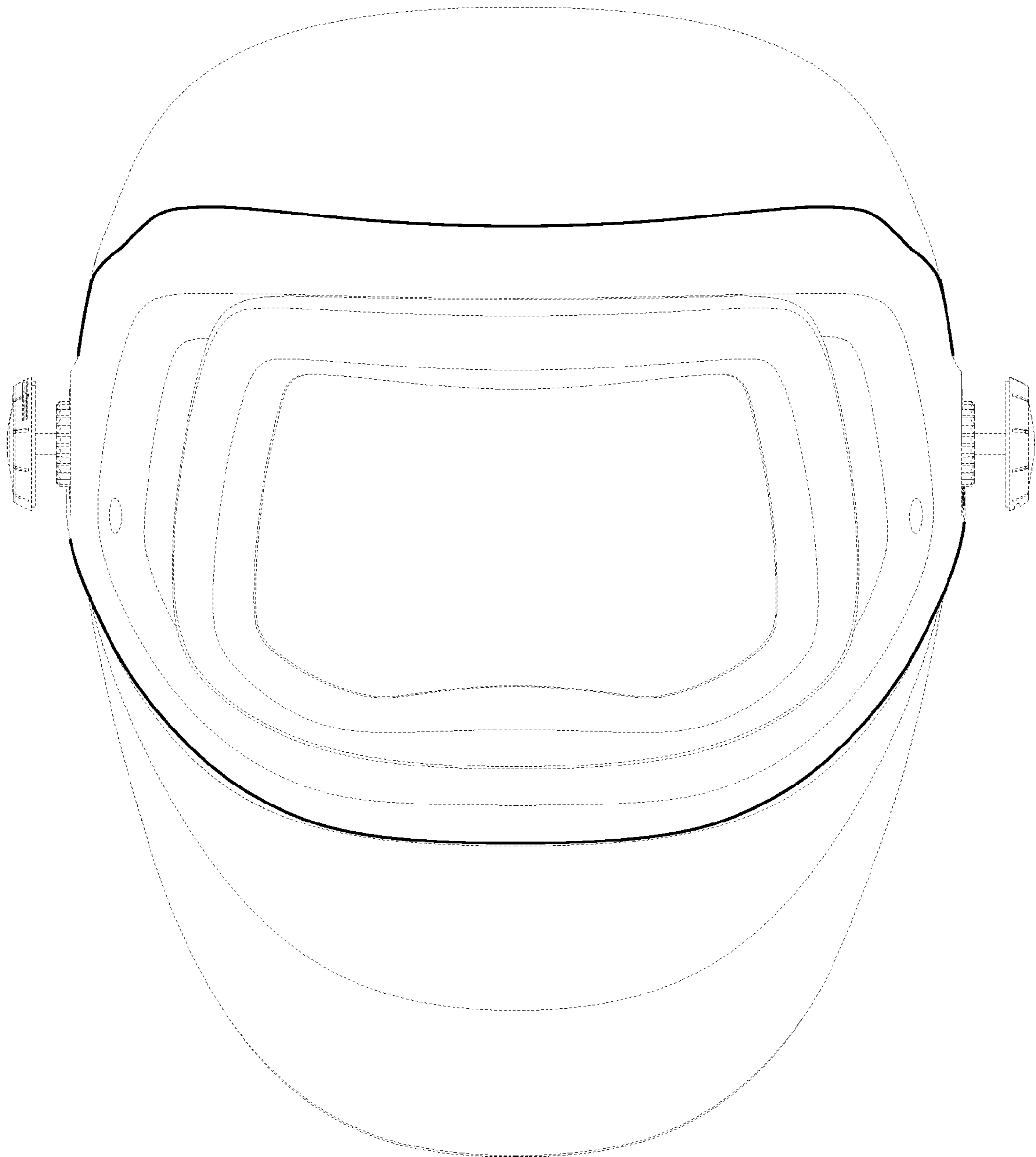
3M Korea, 3M Speedglas, "Comfortable Protection for Safer Welding,".

\* cited by examiner

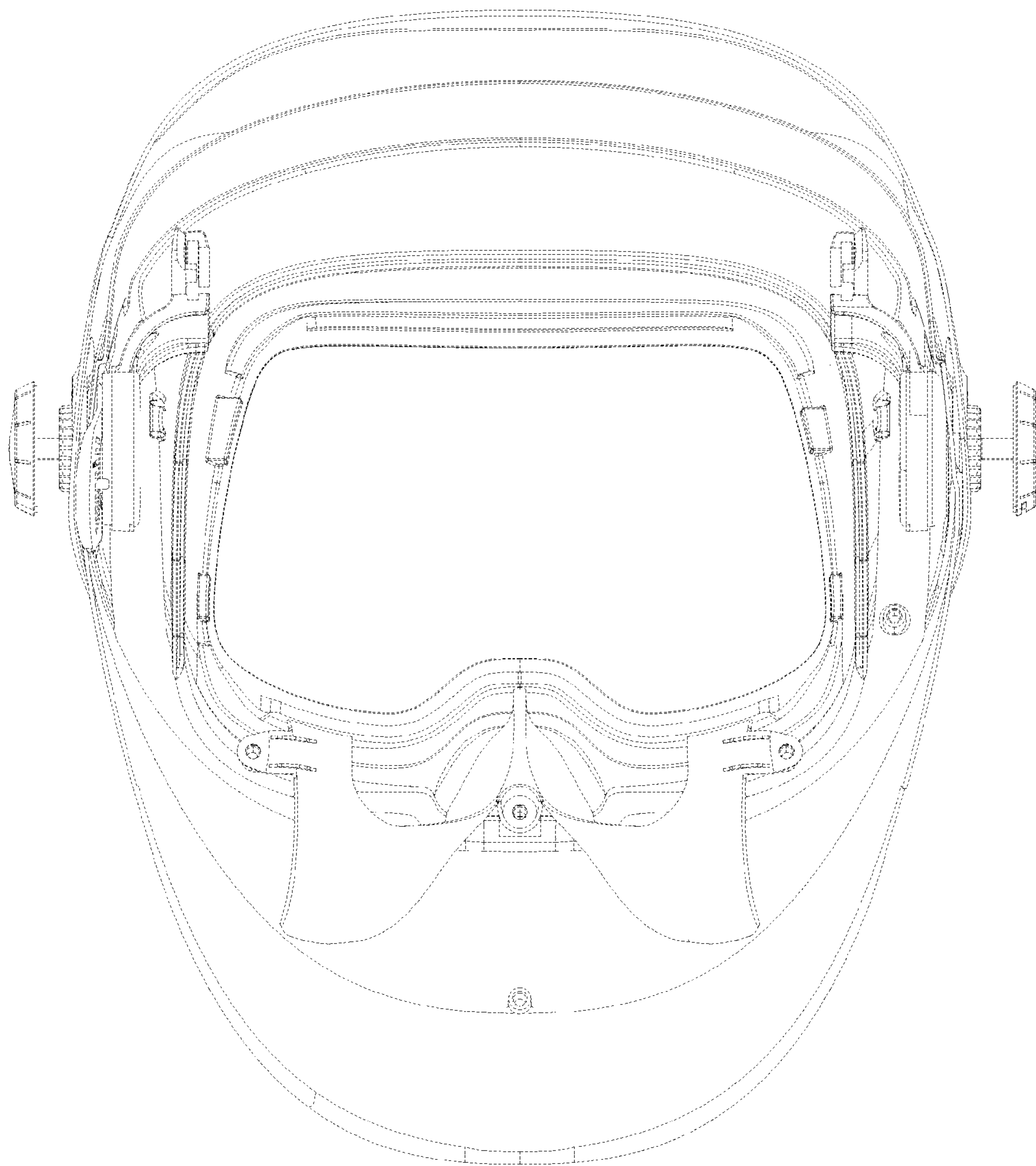


**FIG. 1**

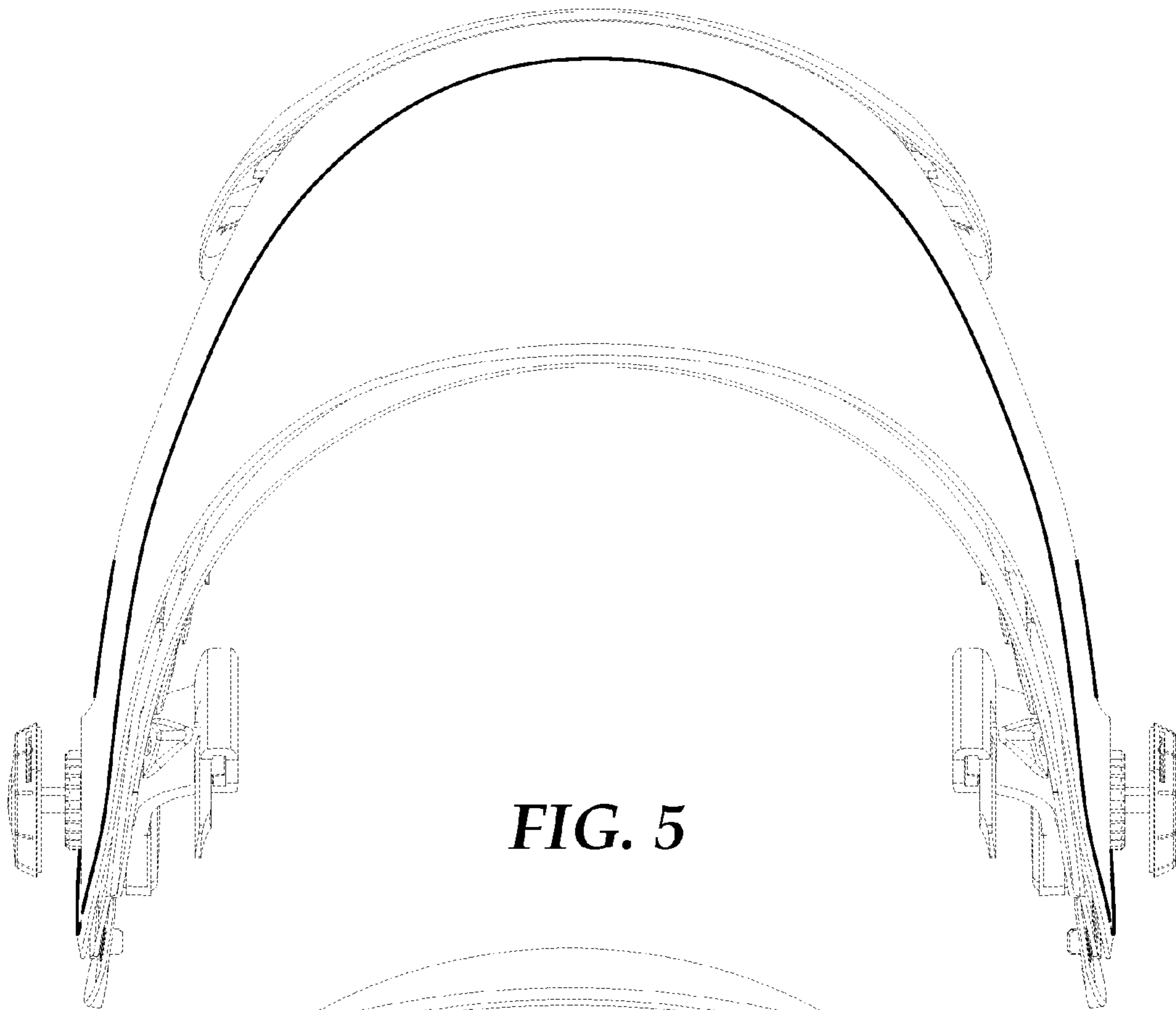




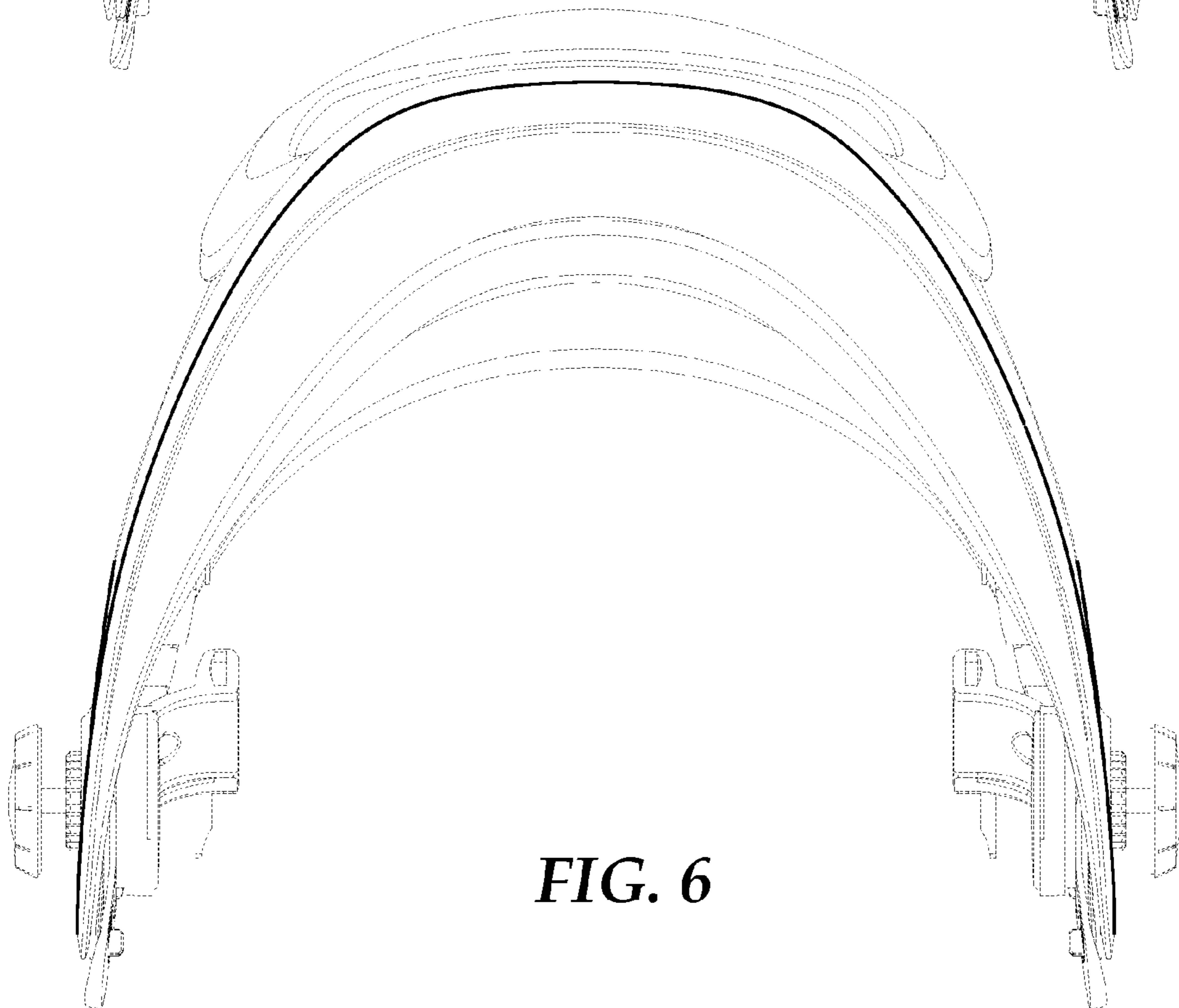
**FIG. 3**



**FIG. 4**



*FIG. 5*



*FIG. 6*