

US00D666775S

(12) **United States Design Patent**
Junker et al.

(10) **Patent No.:** **US D666,775 S**
(45) **Date of Patent:** **** Sep. 4, 2012**

(54) **PROTECTIVE HELMET**

(75) Inventors: **Ulf Junker**, Hanau (DE); **Stefan Roemer**, Gundelfingen (DE)
(73) Assignee: **E.D. Bullard Company**, Cynthiana, KY (US)

(**) Term: **14 Years**

(21) Appl. No.: **29/356,728**

(22) Filed: **Mar. 2, 2010**

(51) **LOC (9) Cl.** **02-03**

(52) **U.S. Cl.** **D29/106**

(58) **Field of Classification Search** D29/102-107, D29/109, 111, 122; 2/6.1, 6.3, 6.5, 6.7, 414, 2/421-425, 427, 468, 209.13, 175.6, 184.5, 2/10; D2/882, 886, 893

See application file for complete search history.

(56) **References Cited**

U.S. PATENT DOCUMENTS

D311,792 S	*	10/1990	Gallet	D29/105
D351,256 S	*	10/1994	Gallet	D29/105
D449,901 S	*	10/2001	Morin	D29/102
D459,032 S	*	6/2002	Gatellet	D29/106
D549,883 S	*	8/2007	Dion	D29/106
D640,010 S	*	6/2011	Mateu Codina	D29/105

FOREIGN PATENT DOCUMENTS

EP 2057910 5/2009

* cited by examiner

Primary Examiner — Rosemary K Tarcza

(74) *Attorney, Agent, or Firm* — Stites & Harbison, PLLC; David W. Nagle, Jr.

(57) **CLAIM**

The ornamental design for a protective helmet, as shown and described.

DESCRIPTION

FIG. 1 is a front view of a protective helmet incorporating the design of the present invention;

FIG. 2 is a rear view of the protective helmet of FIG. 1;

FIG. 3 is a right side view of the protective helmet of FIG. 1;

FIG. 4 is a left side view of the protective helmet of FIG. 1;

FIG. 5 is a top view of the protective helmet of FIG. 1;

FIG. 6 is another front view of the protective helmet incorporating the design of the present invention, similar to FIG. 1, but with the visor in a lowered position;

FIG. 7 is a rear view of the protective helmet of FIG. 6;

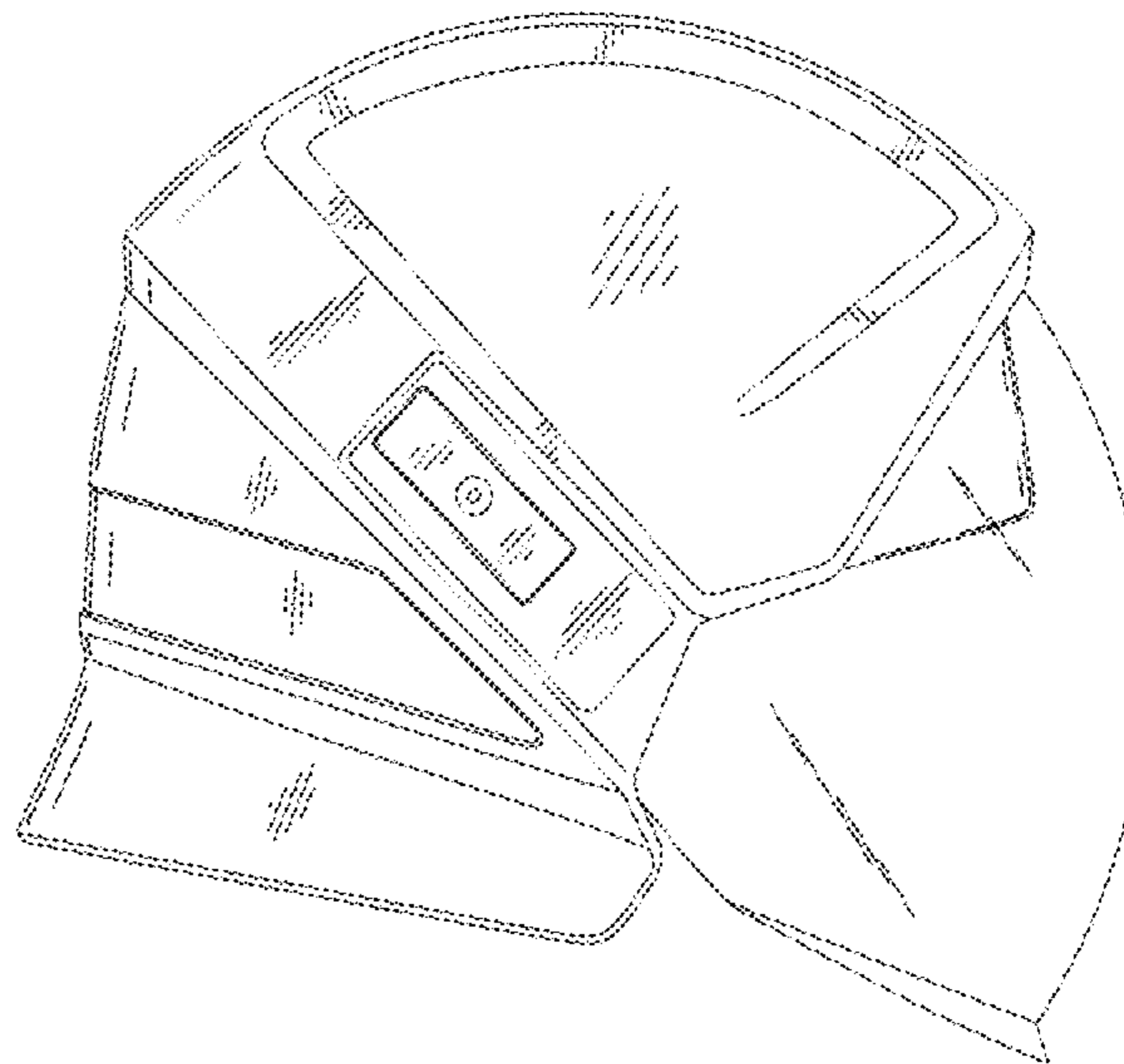
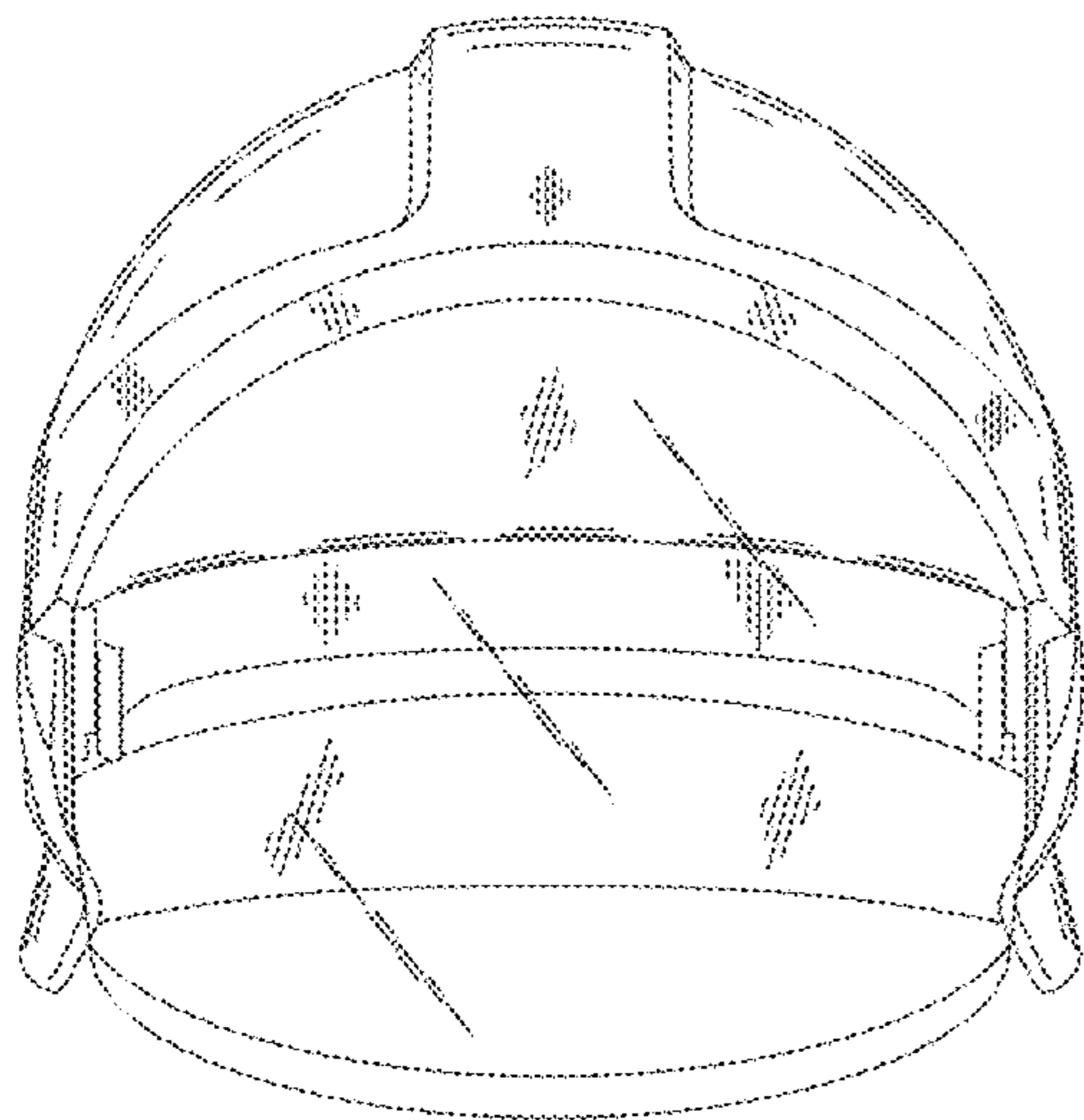
FIG. 8 is a right side view of the protective helmet of FIG. 6;

FIG. 9 is a left side view of the protective helmet of FIG. 6;

and,

FIG. 10 is a top view of the protective helmet of FIG. 6.

1 Claim, 10 Drawing Sheets



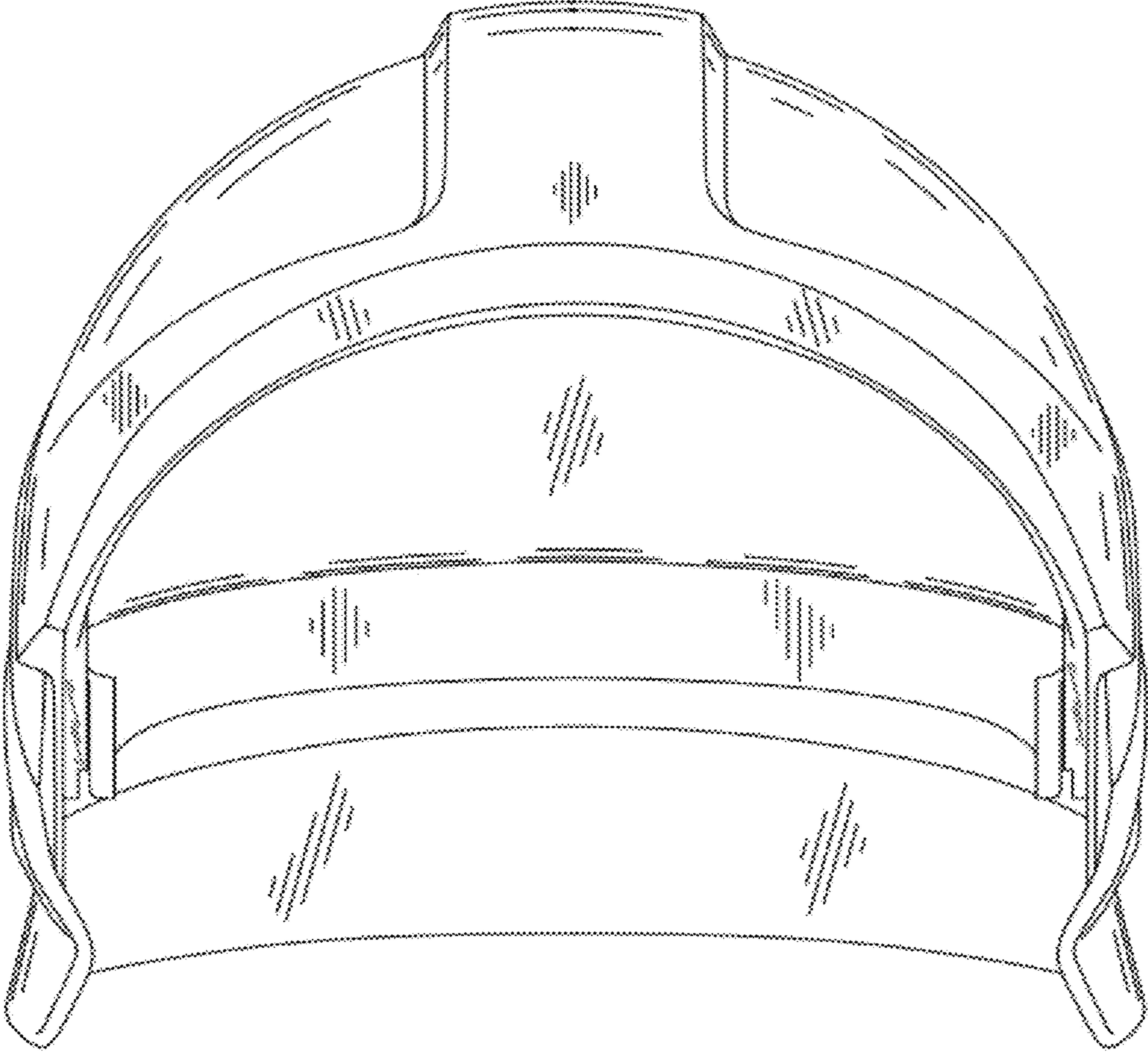


FIG. 1

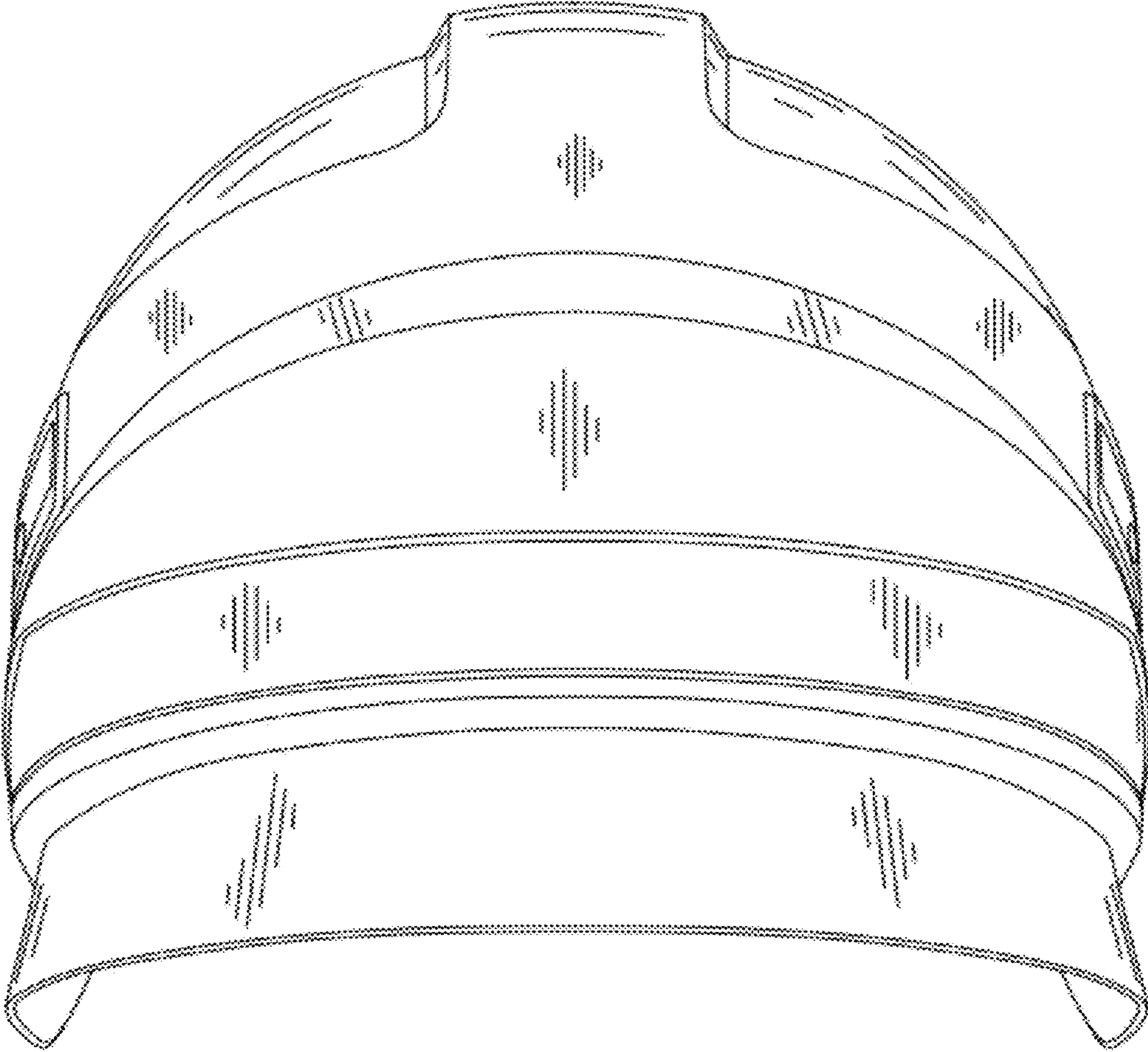


FIG. 2

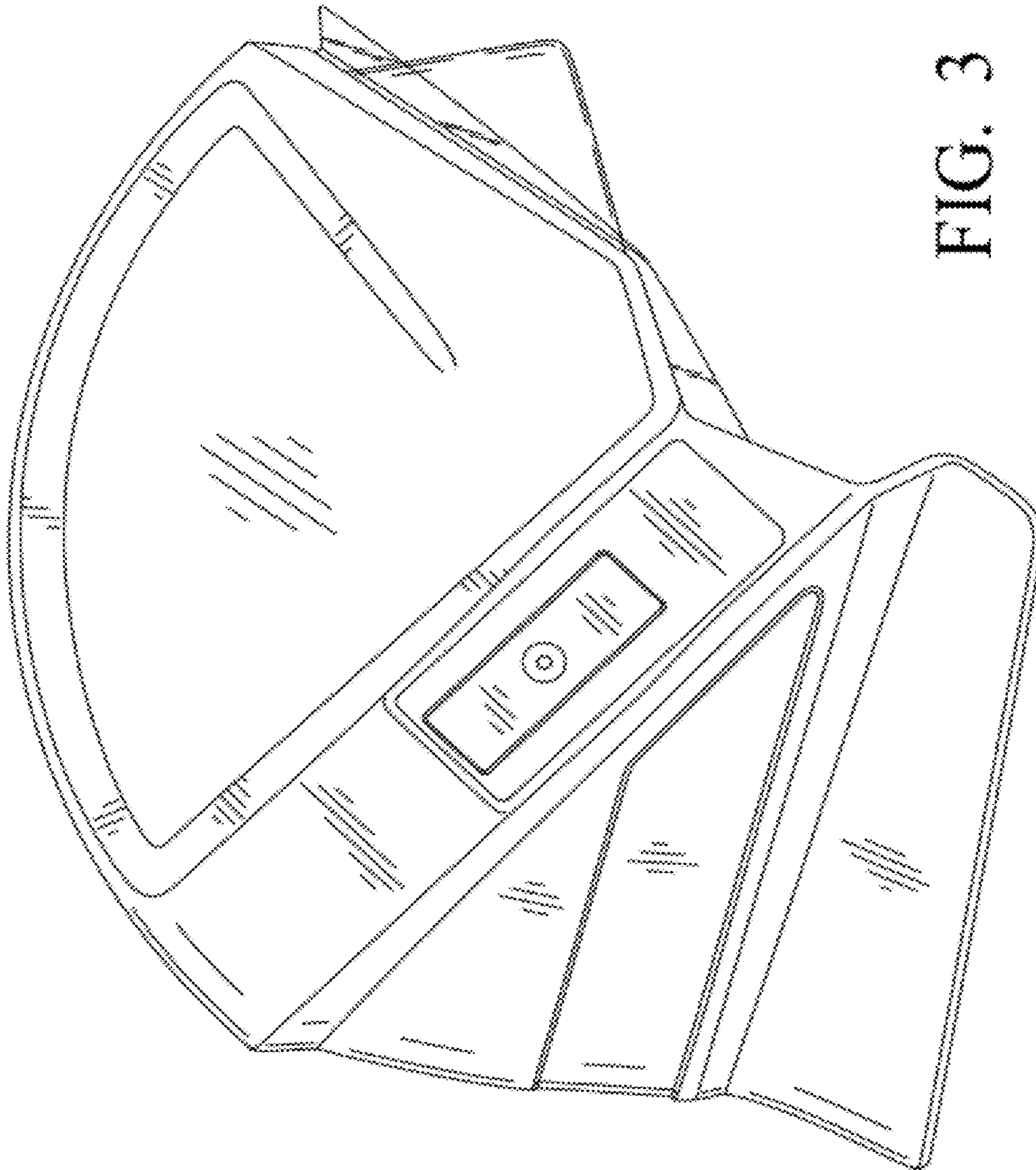


FIG. 3

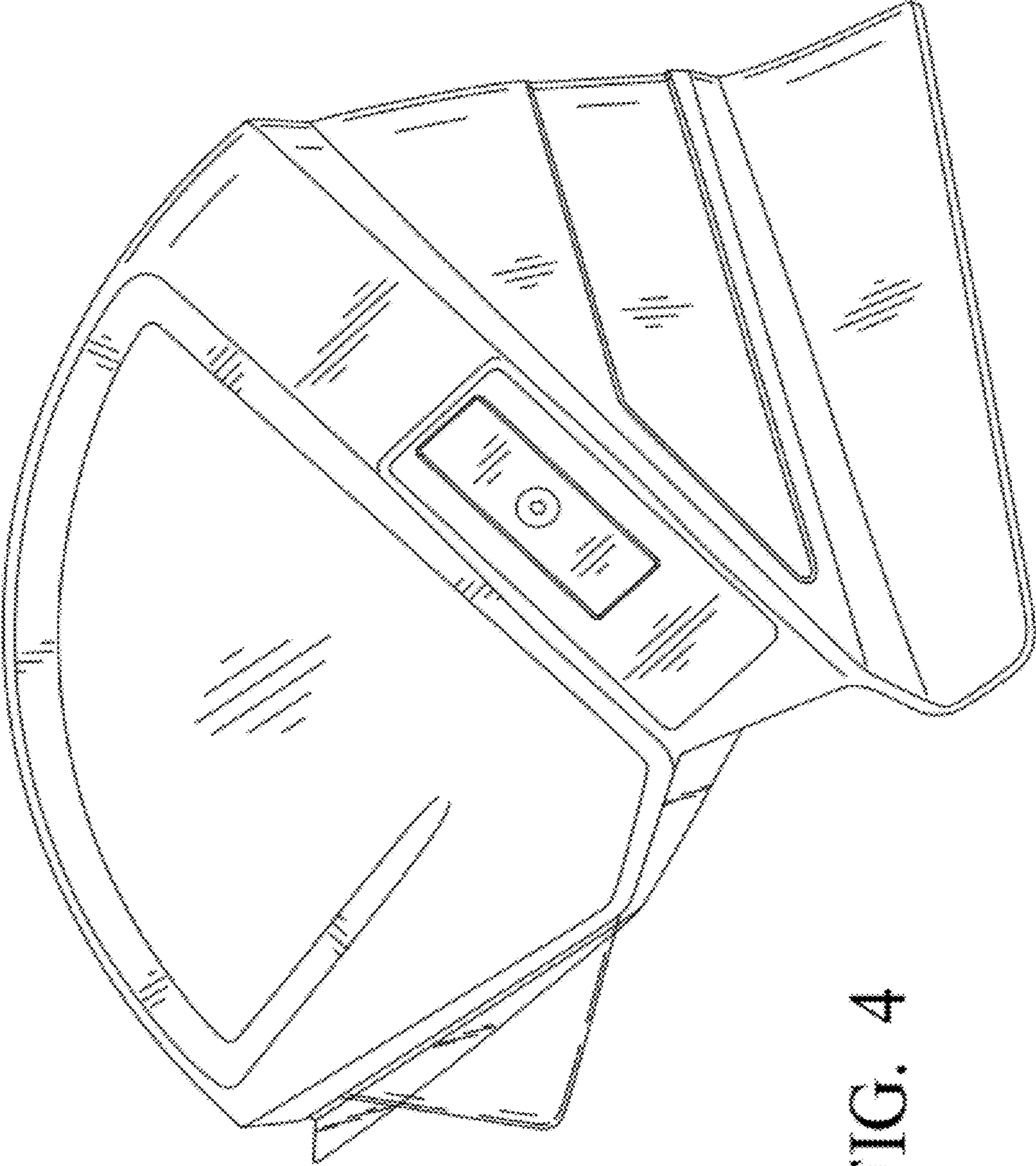


FIG. 4

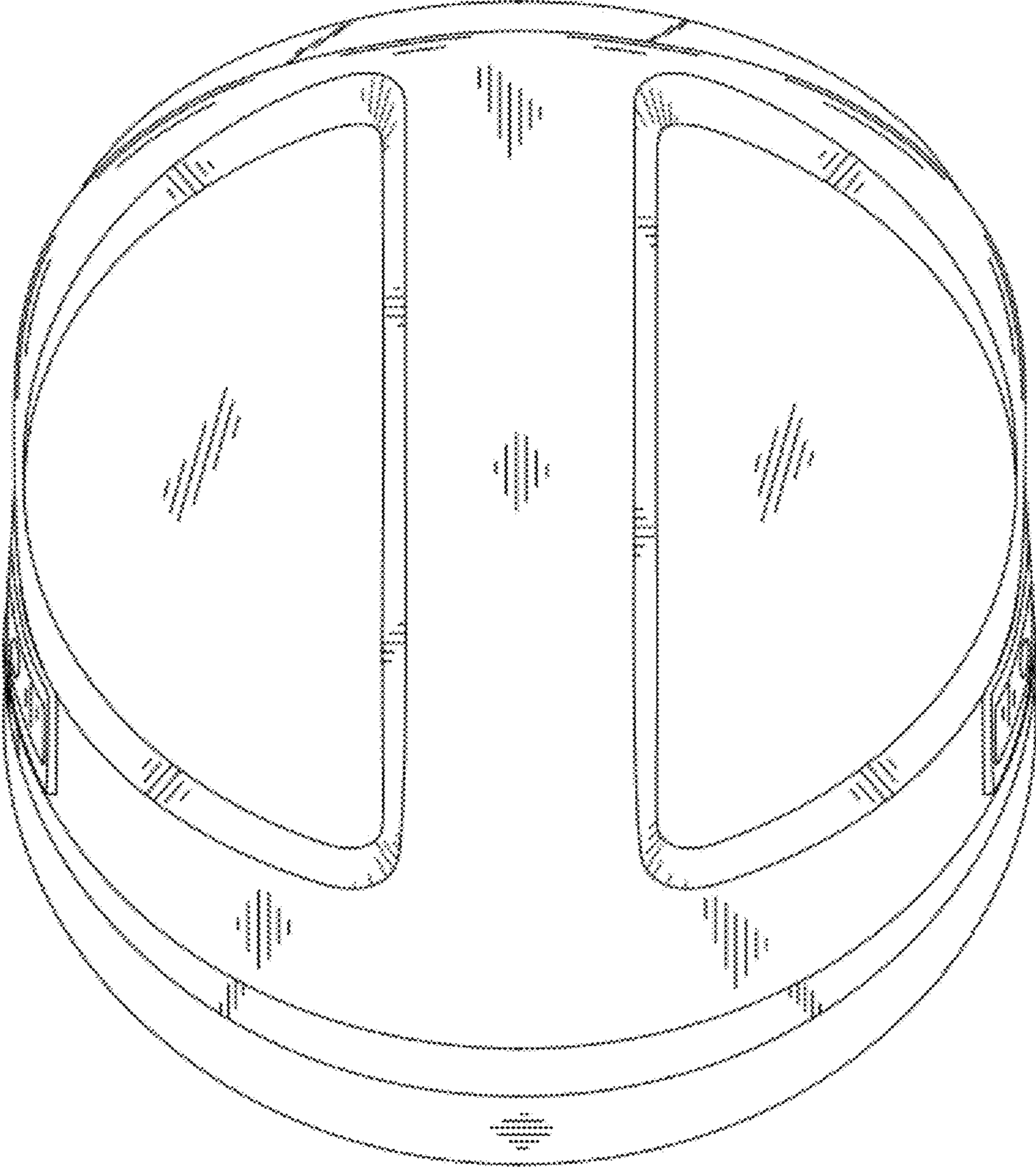


FIG. 5

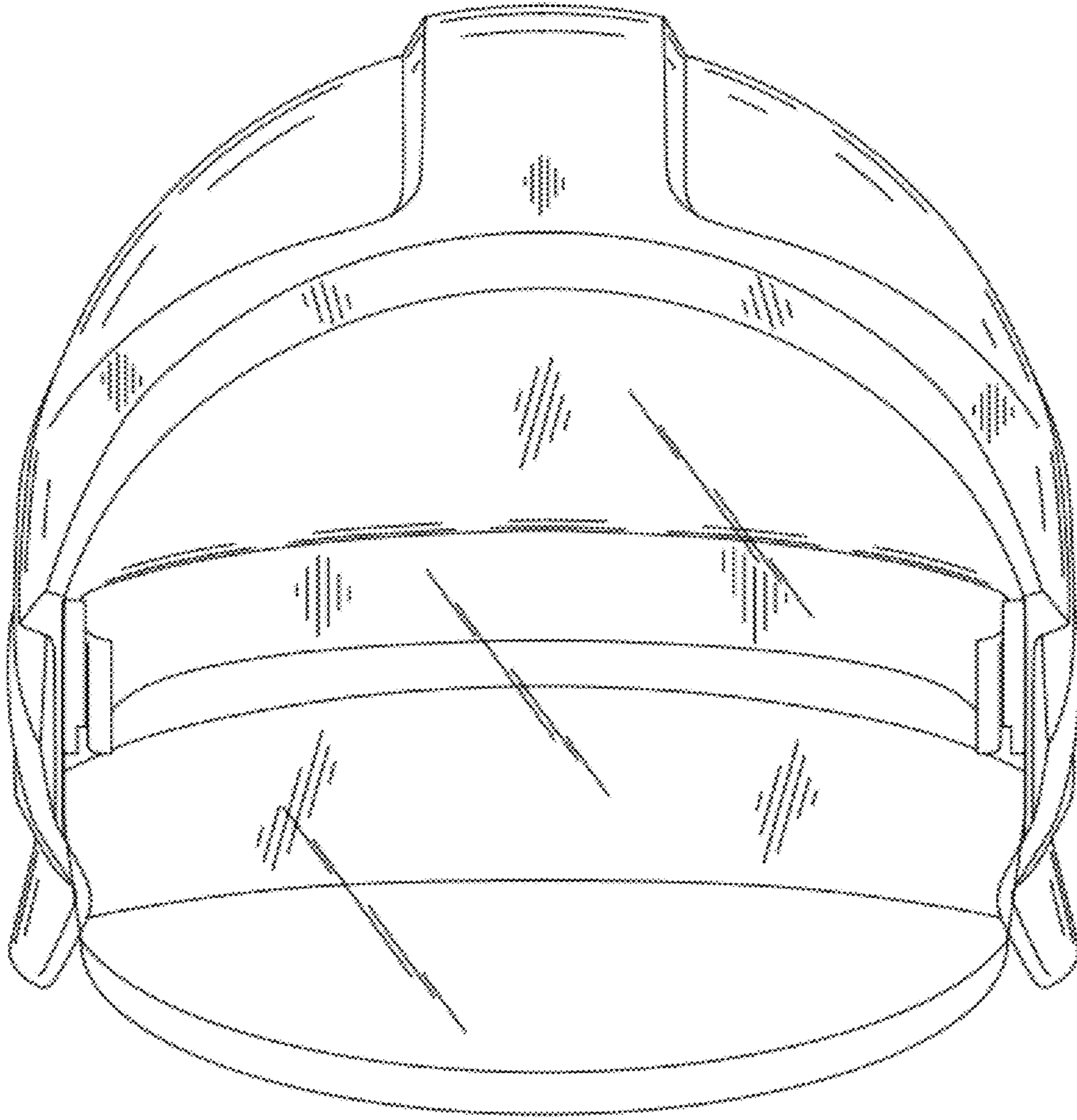


FIG. 6

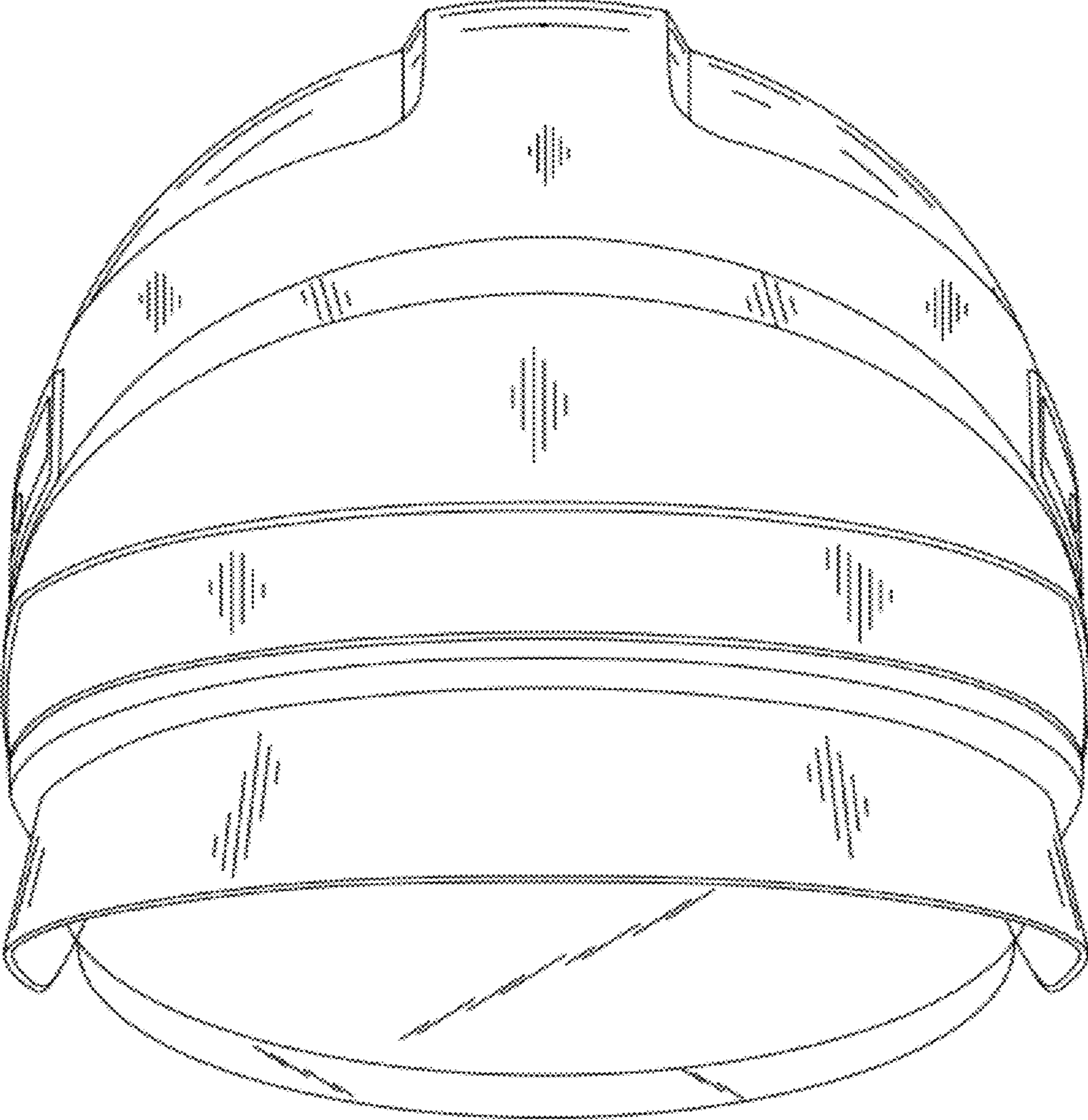


FIG. 7

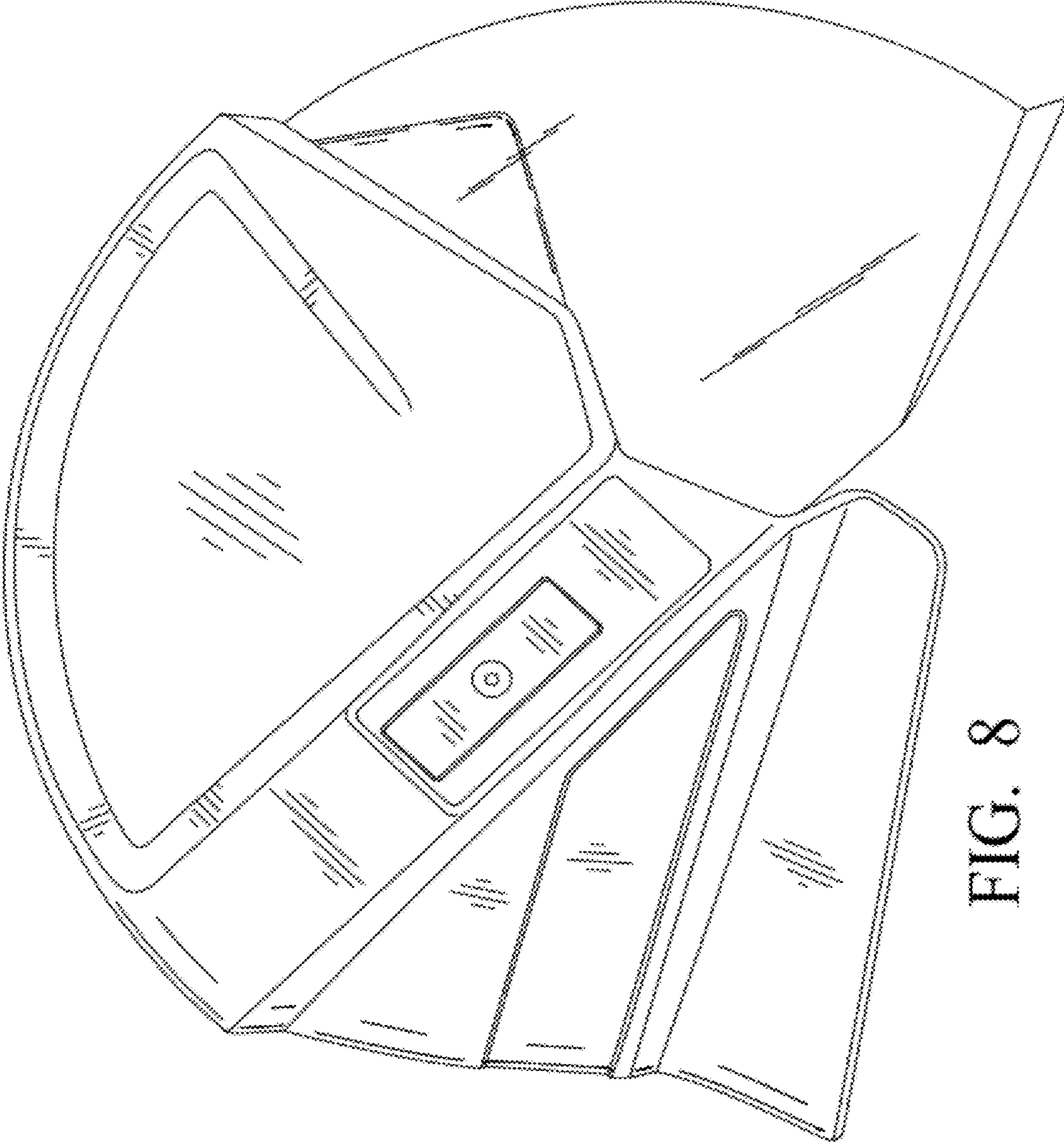


FIG. 8

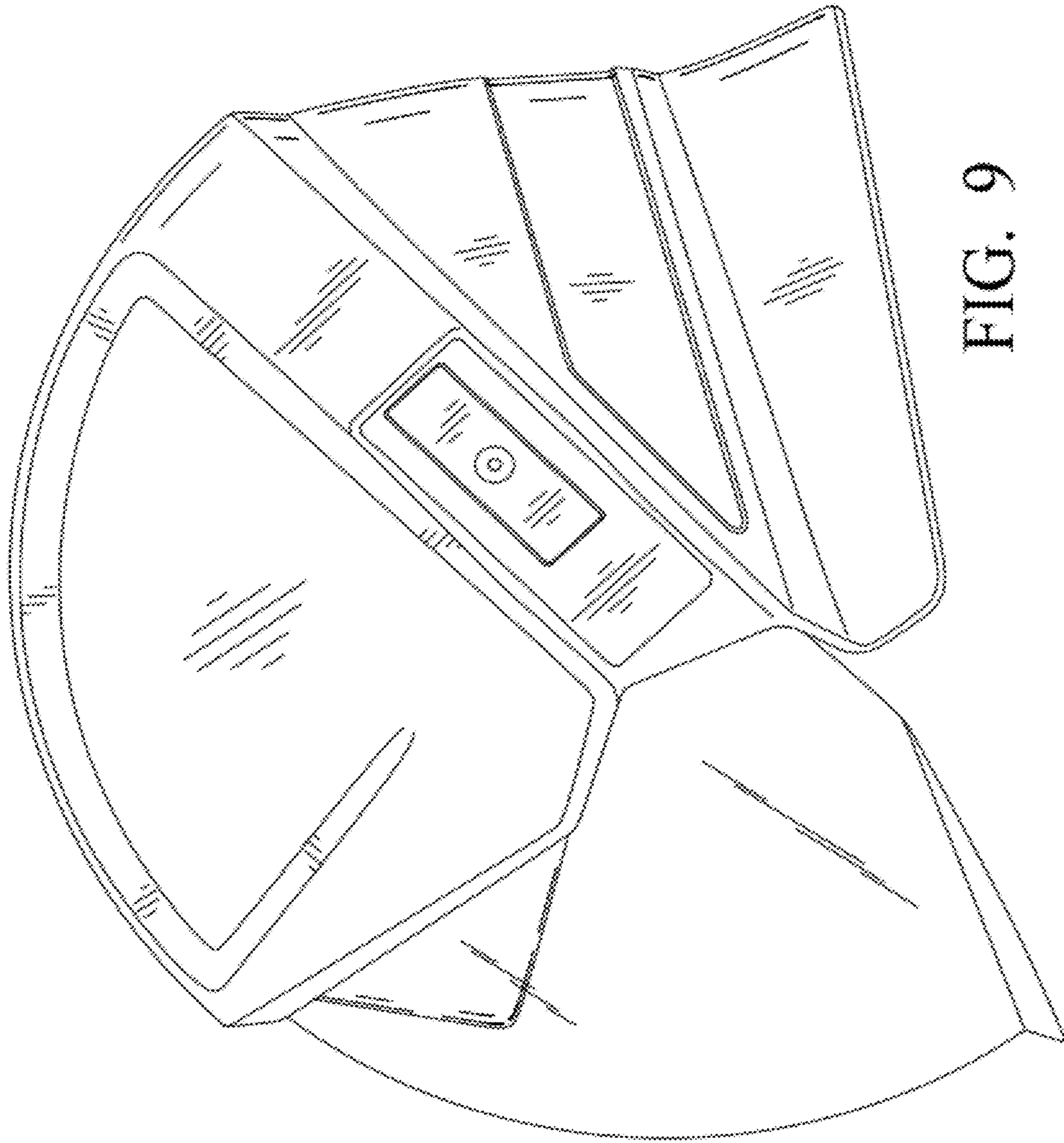


FIG. 9

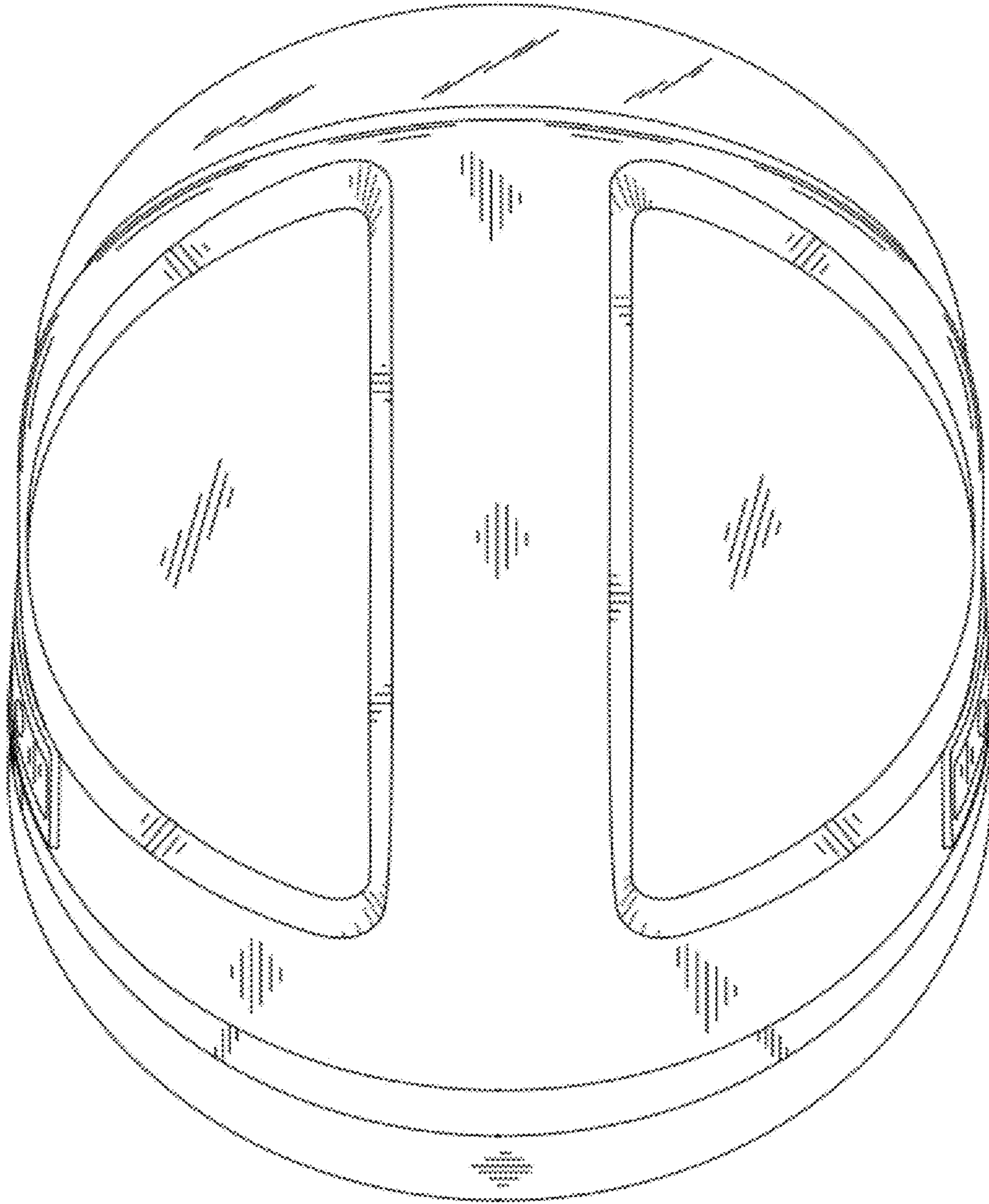


FIG. 10