

US00D666774S

(12) **United States Design Patent**
Miller et al.

(10) **Patent No.:** **US D666,774 S**
(45) **Date of Patent:** **** Sep. 4, 2012**

(54) **GROIN PROTECTOR**

(75) Inventors: **Brian Miller**, Long Beach, CA (US);
Guy Gonzalez, Glendale, CA (US)

(73) Assignee: **PDT Tech, LLC**, Alamo, CA (US)

(**) Term: **14 Years**

(21) Appl. No.: **29/412,539**

(22) Filed: **Feb. 3, 2012**

(51) **LOC (9) Cl.** **29-03**

(52) **U.S. Cl.** **D29/101.5**

(58) **Field of Classification Search** D29/10,
D29/11, 100, 101.5, 122; D2/711, 713; 128/96.1,
128/98.1, 846, 891; 602/67, 68, 7, 72, 73,
602/96, 108, 114; 2/2, 455

See application file for complete search history.

(56) **References Cited**

U.S. PATENT DOCUMENTS

5,295,267	A	3/1994	Galindo	
D516,253	S *	2/2006	Wong	D29/101.5
D528,702	S *	9/2006	Wong	D29/101.5
D571,047	S *	6/2008	Kamradt	D29/101.5
D571,532	S *	6/2008	Gutierrez	D2/713
D579,628	S *	11/2008	Wiens	D2/711
D595,902	S *	7/2009	Wiens	D29/101.5
2010/0229273	A1	9/2010	Crye	

* cited by examiner

Primary Examiner — Susan Bennett Hattan

Assistant Examiner — Barbara B Lohr

(74) *Attorney, Agent, or Firm* — Donald L. Beeson; Beeson Skinner Beverly, LLP

(57) **CLAIM**

The ornamental design for a groin protector, as shown and described.

DESCRIPTION

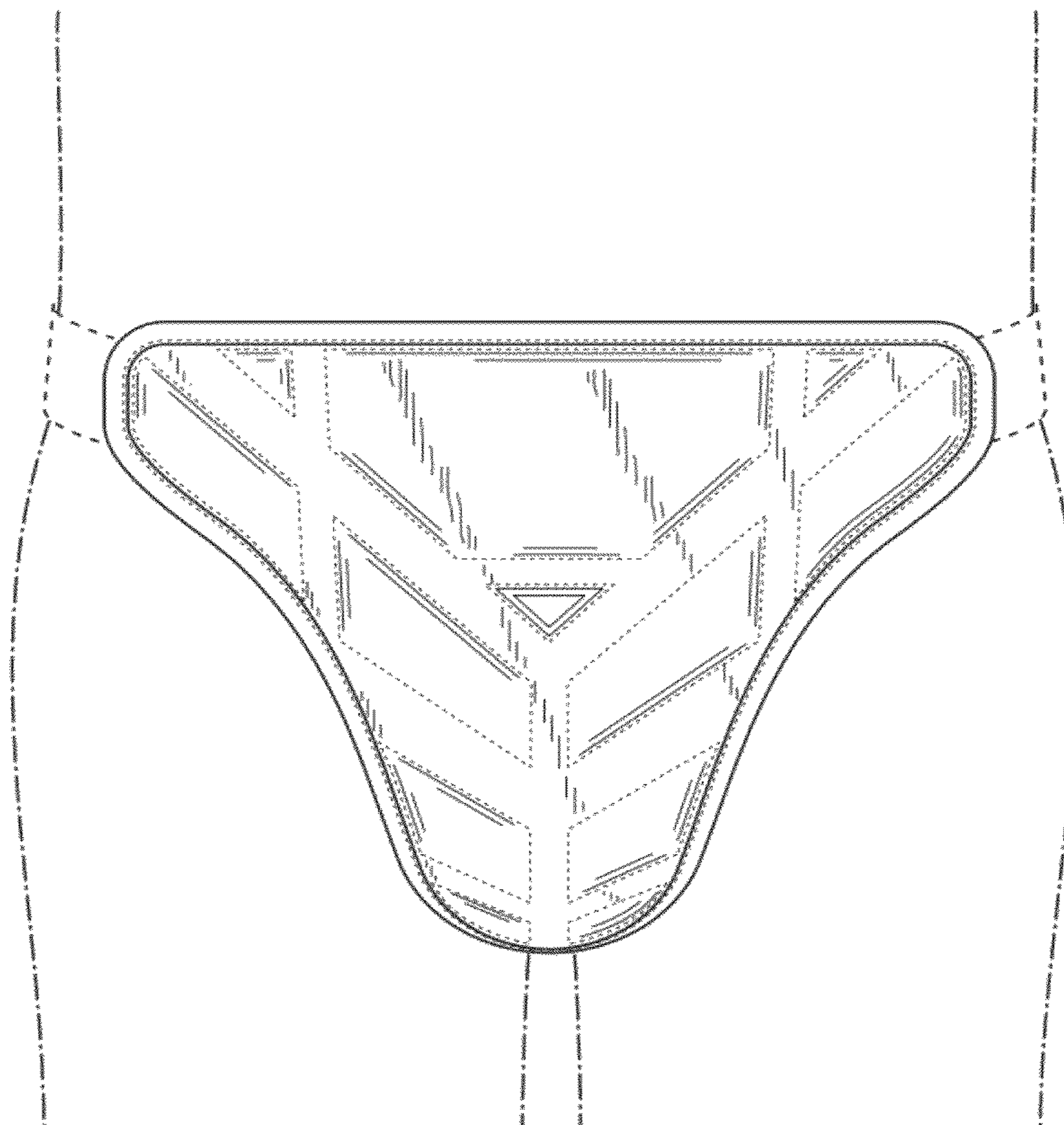
FIG. 1 is front elevational view of a groin protector showing our new design, and showing the groin protector being worn by an individual; and,

FIG. 2 is a another front elevational view of a groin protector showing the groin protector laid out flat.

The back of the groin protector is not shown and is not visible in use; it forms no part of the claimed design.

The short dash, long dash broken line representation of an individual in FIG. 1 indicates the use of the claimed design and is for illustrative purposes only; these broken lines form no part of the claimed design. The regular dashed lines within the solid line boundaries of the groin protector indicate stitch patterns, which form part of the claimed design.

1 Claim, 2 Drawing Sheets



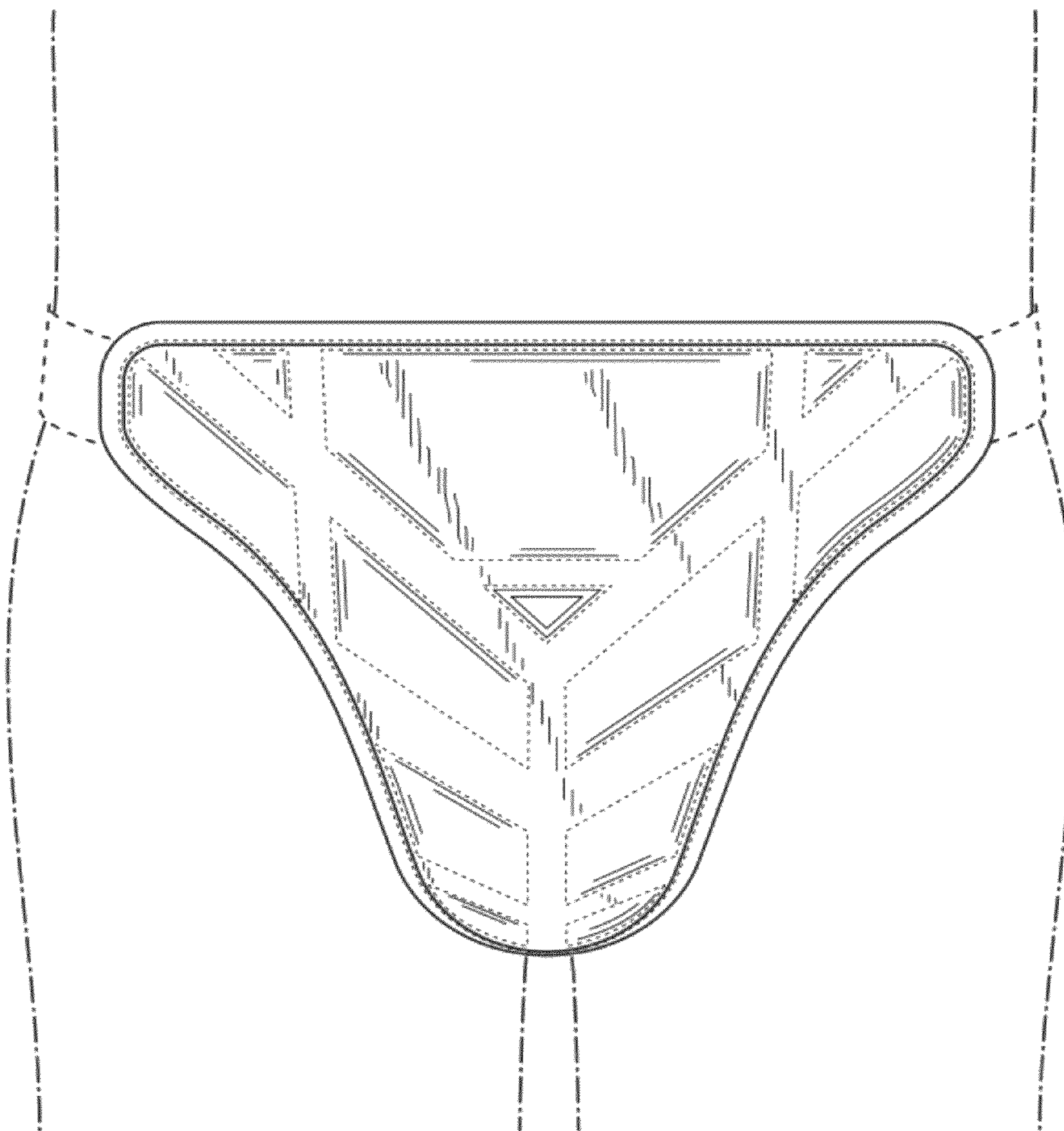


FIG. 1

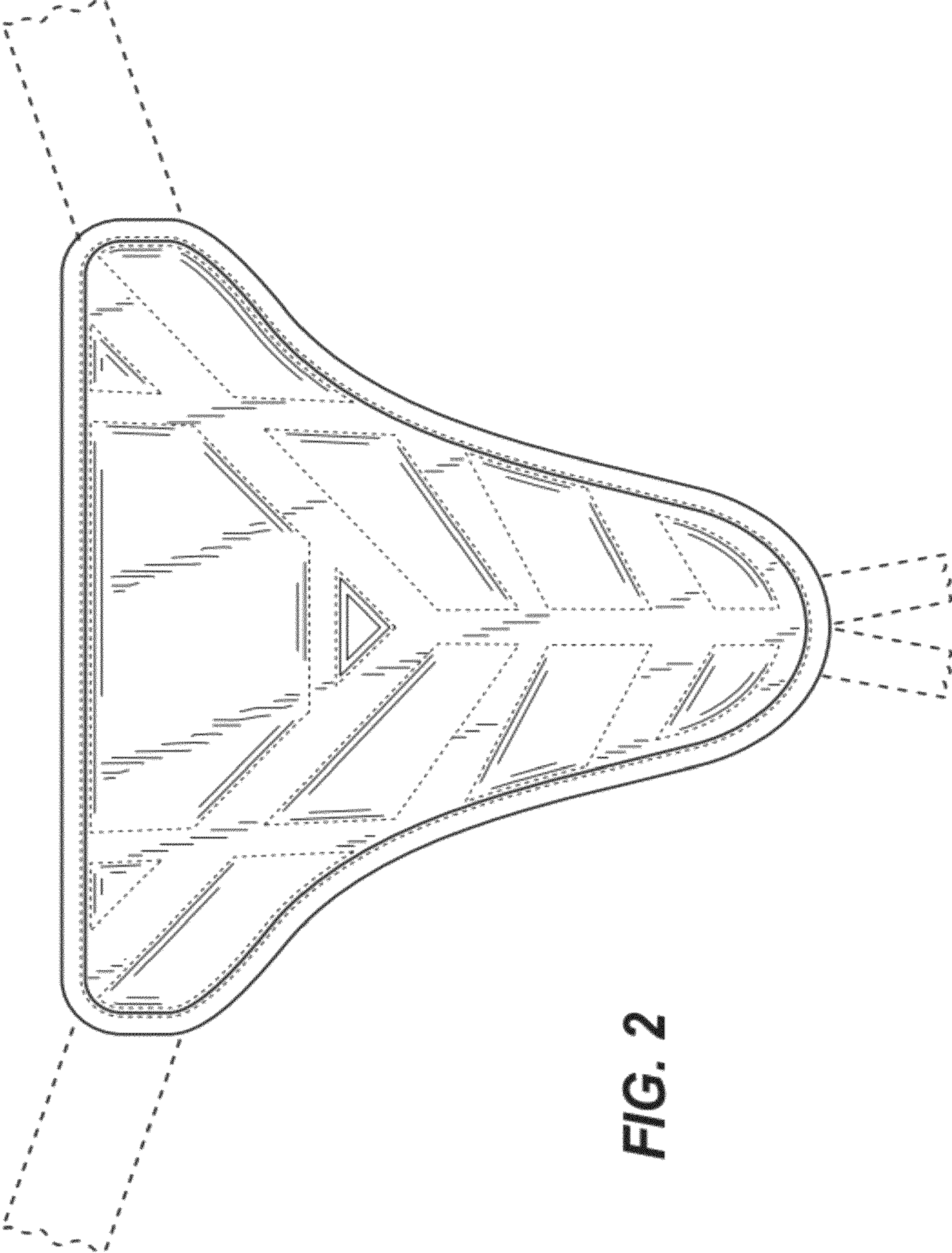


FIG. 2