



US00D666773S

(12) **United States Design Patent**
Greenfield

(10) **Patent No.:** **US D666,773 S**
(45) **Date of Patent:** **** Sep. 4, 2012**

(54) **BOX COMPACT**

(76) Inventor: **Ronald J. Greenfield**, South
Huntington, NY (US)

(**) Term: **14 Years**

(21) Appl. No.: **29/376,225**

(22) Filed: **Oct. 4, 2010**

(51) **LOC (9) Cl.** **28-03**

(52) **U.S. Cl.** **D28/83**

(58) **Field of Classification Search** D11/4,
D11/14, 16, 79, 89, 90, 91, 146; D19/36,
D19/43, 49, 35; D9/454, 500, 502, 503,
D9/504, 521, 529, 542, 544, 545, 687, 726,
D9/727, 667, 695, 697, 699, 420, 559; D7/523,
D7/533, 534, 612, 615; 433/80, 99, 131;
132/73, 73.5, 73.6, 74.5, 75, 200, 293, 294,
132/295, 299, 304, 306, 314, 317; 206/1.7,
206/1.8, 63.5, 362, 755, 581; 220/844; D24/146;
D28/76, 56, 58, 81, 78, 83, 84, 7, 73, 74,
D28/75, 77, 82, 85, 86, 88, 89, 57; D3/275,
D3/294; D4/101, 111; 15/22.1, 22.2, 22.4,
15/28, 29; D34/1, 7

See application file for complete search history.

(56) **References Cited**

U.S. PATENT DOCUMENTS

D115,324	S	*	6/1939	Zell	D28/83
2,642,202	A	*	6/1953	Cowan	220/844
2,783,764	A	*	3/1957	Loy	132/304
D221,117	S	*	7/1971	Jacobs	D3/275
D223,068	S	*	3/1972	Long et al.	D3/275
3,915,295	A		10/1975	Morrison		
4,421,127	A	*	12/1983	Geer	132/294
D293,612	S	*	1/1988	Bulwik	D28/83
4,765,457	A	*	8/1988	Rayhle	206/1.8
D349,977	S	*	8/1994	Shen	D28/78
D396,004	S		7/1998	Srinual		
D422,120	S	*	3/2000	Orsomando	D28/83
D457,687	S	*	5/2002	Millar	D28/83
D465,305	S	*	11/2002	Thorpe et al.	D28/83
D465,729	S		11/2002	Nishimura		
D473,681	S	*	4/2003	Thorpe	D28/83

D493,107	S		7/2004	Bergne		
D502,868	S		3/2005	Cattaruzza		
D508,846	S		8/2005	Au		
D510,700	S		10/2005	Au		
D528,794	S		9/2006	Lanham et al.		
D554,804	S	*	11/2007	Bernard	D28/83
D556,571	S		12/2007	Jalet		
D601,757	S	*	10/2009	Sagel	D28/83
D627,519	S	*	11/2010	DeMarco	D28/83
D629,201	S	*	12/2010	Demarco	D3/294
D631,205	S	*	1/2011	Lai	D28/83
2009/0078279	A1	*	3/2009	Boye et al.	132/295

* cited by examiner

Primary Examiner — Kevin Rudzinski

(74) *Attorney, Agent, or Firm* — Gifford, Krass, Sprinkle,
Anderson & Citkowski, P.C.

(57) **CLAIM**

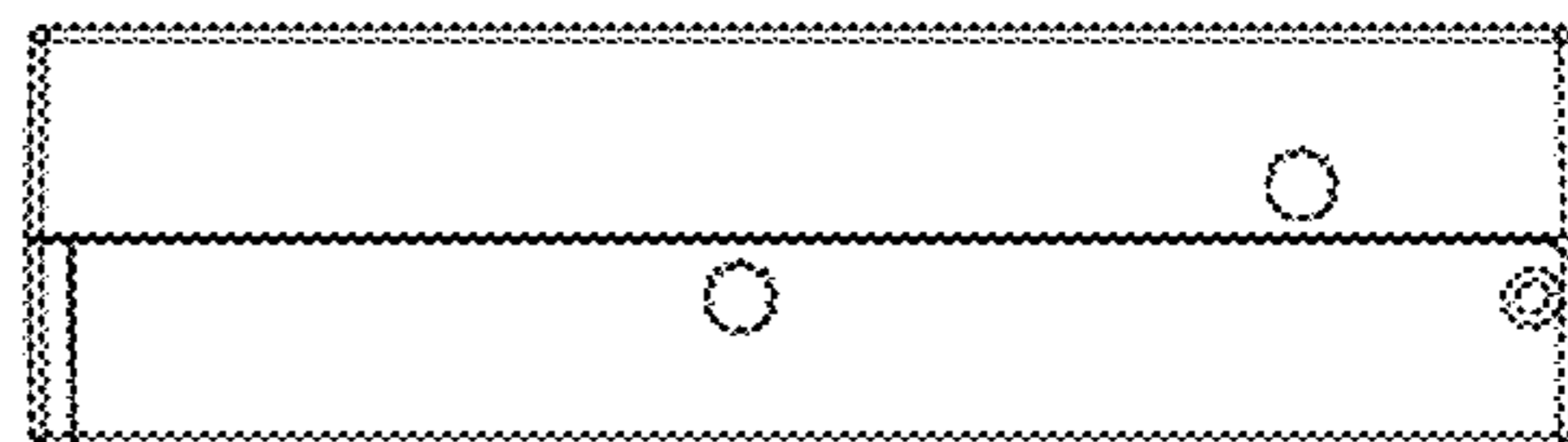
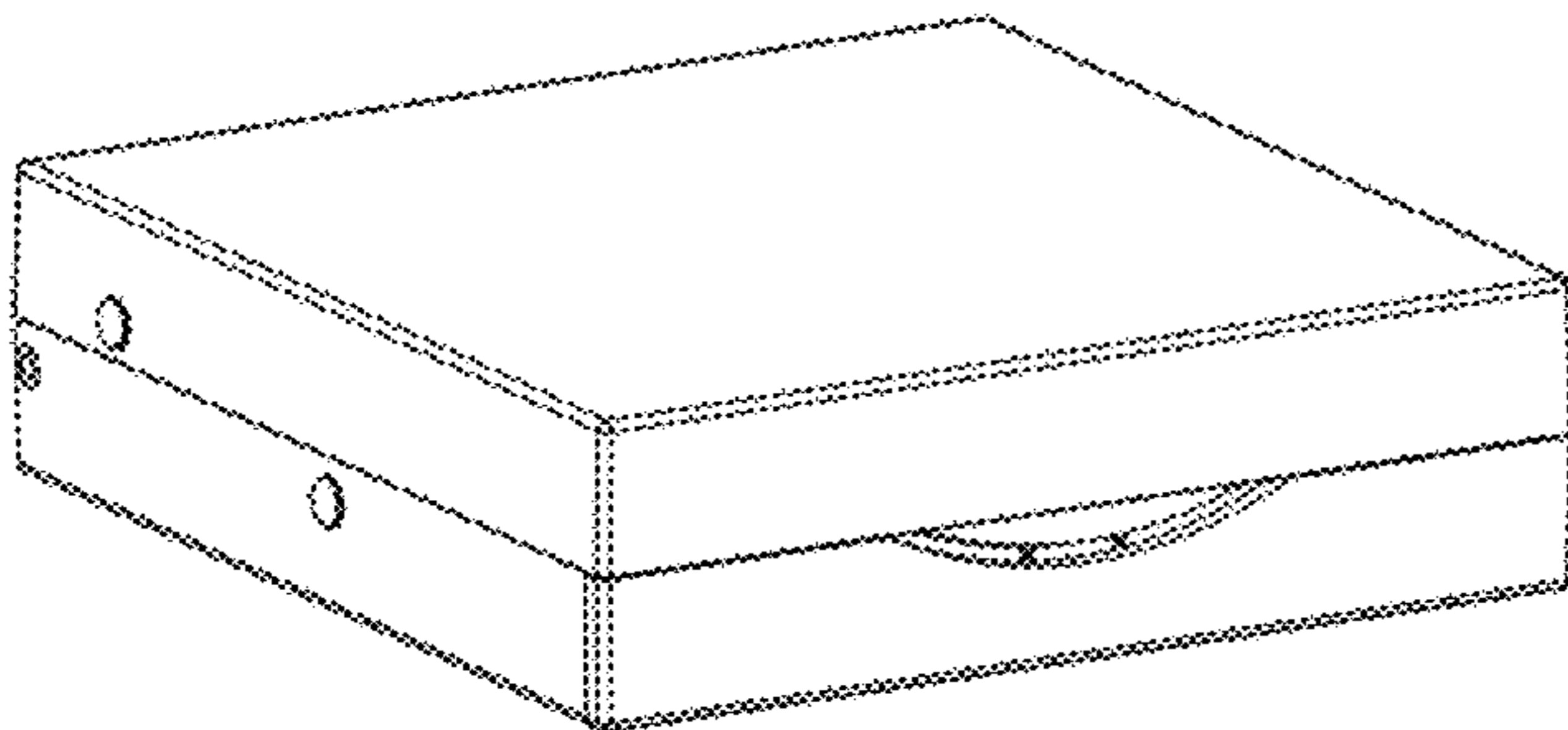
The ornamental design for a box compact, as shown and described.

DESCRIPTION

FIG. 1 is a rear side view of box compact, showing my new design in a fully closed position;
 FIG. 2 is a front side view thereof;
 FIG. 3 is a front top perspective view thereof;
 FIG. 4 is a rear top perspective thereof;
 FIG. 5 is a front top perspective view thereof, in an open lid position;
 FIG. 6 is a front top perspective view thereof in an open lid position and with an extended insert compartment;
 FIG. 7 is a first side view thereof in a fully closed position;
 FIG. 8 is a second side view thereof; and
 FIG. 9 is a top view thereof;
 FIG. 10 is a bottom view thereof; and,
 FIG. 11 is a is an open side view of the second side thereof in an open lid position and with an extended insert compartment, with an open side view of a first side a mirror image thereof.

The broken lines shown in the drawings illustrate portions of the box compact that form no part of the claimed design.

1 Claim, 7 Drawing Sheets



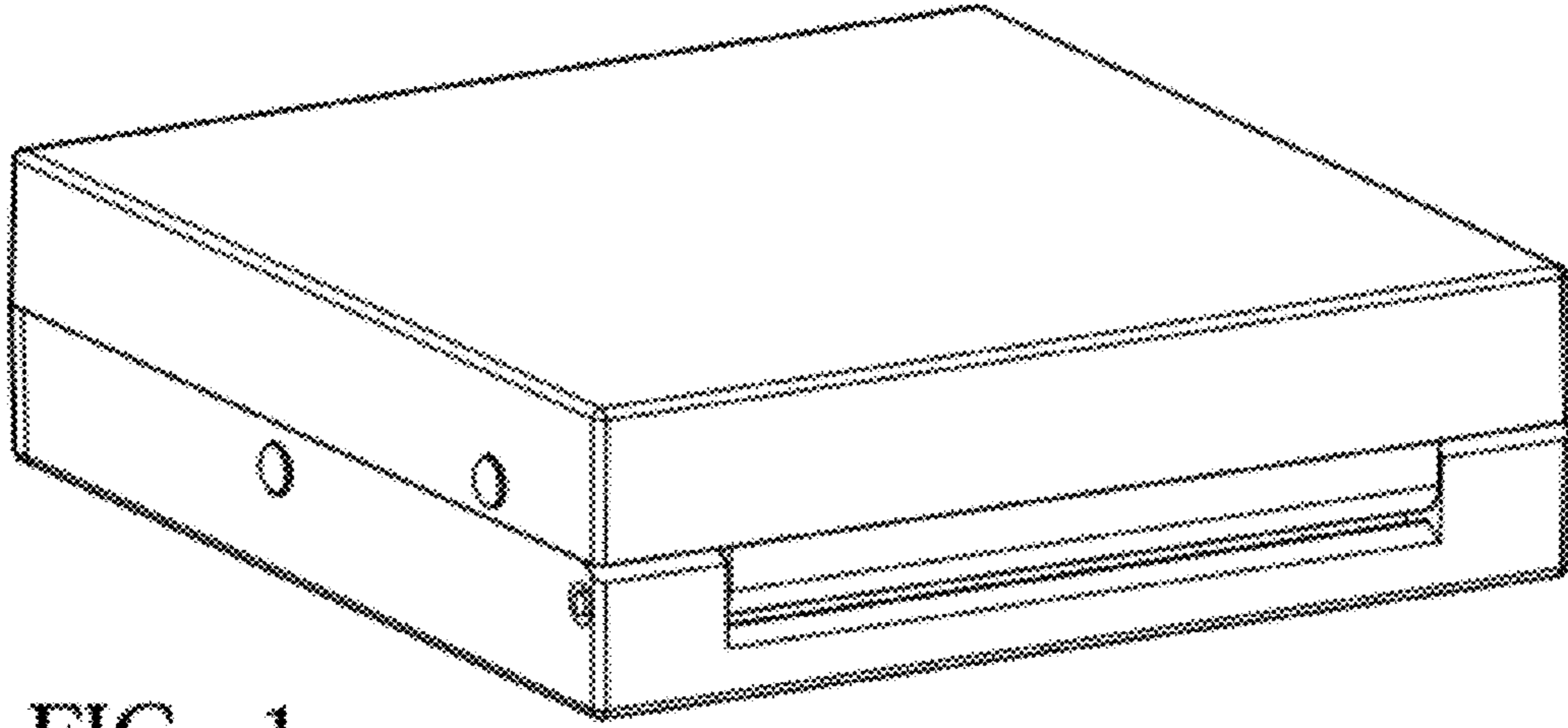


FIG. 1

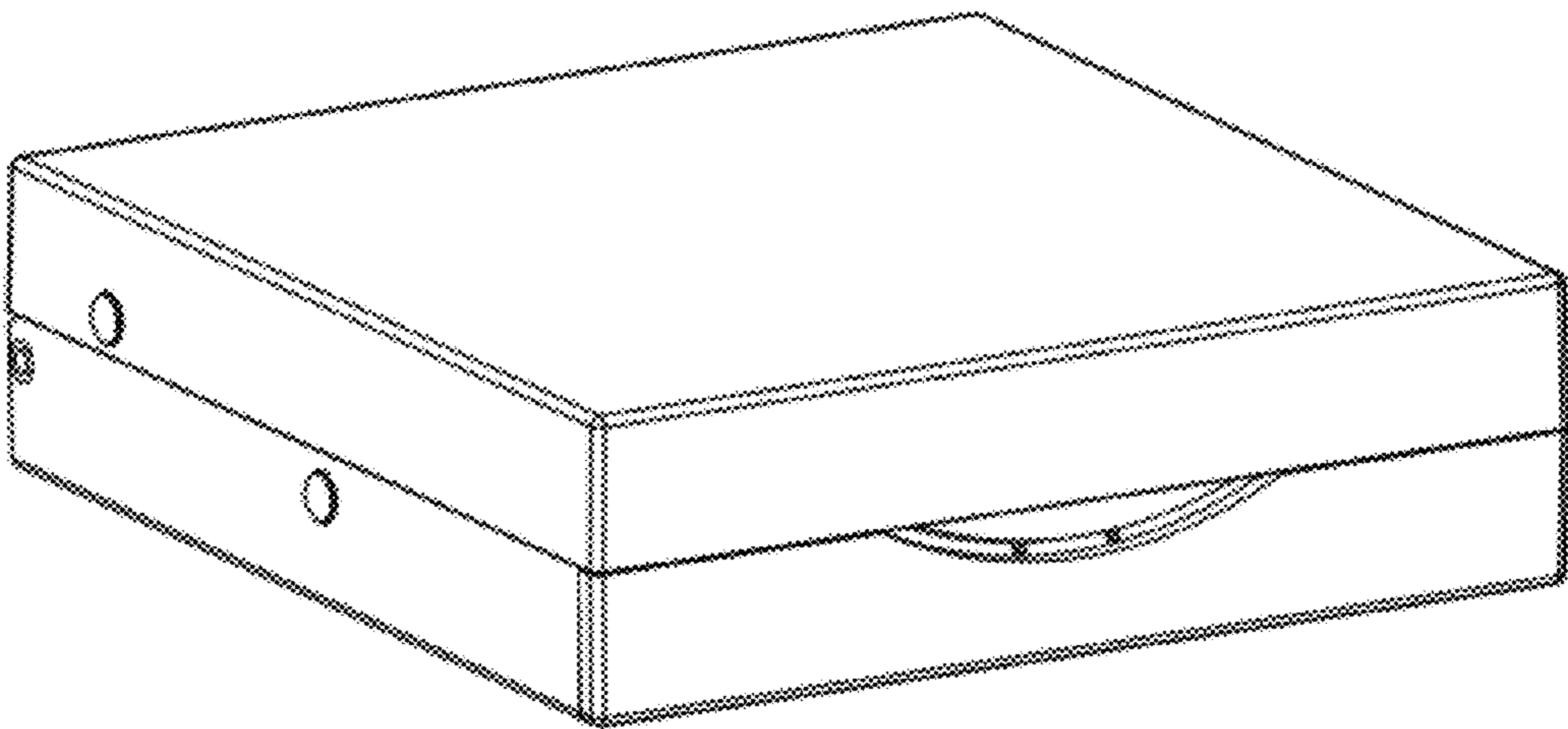


FIG. 2

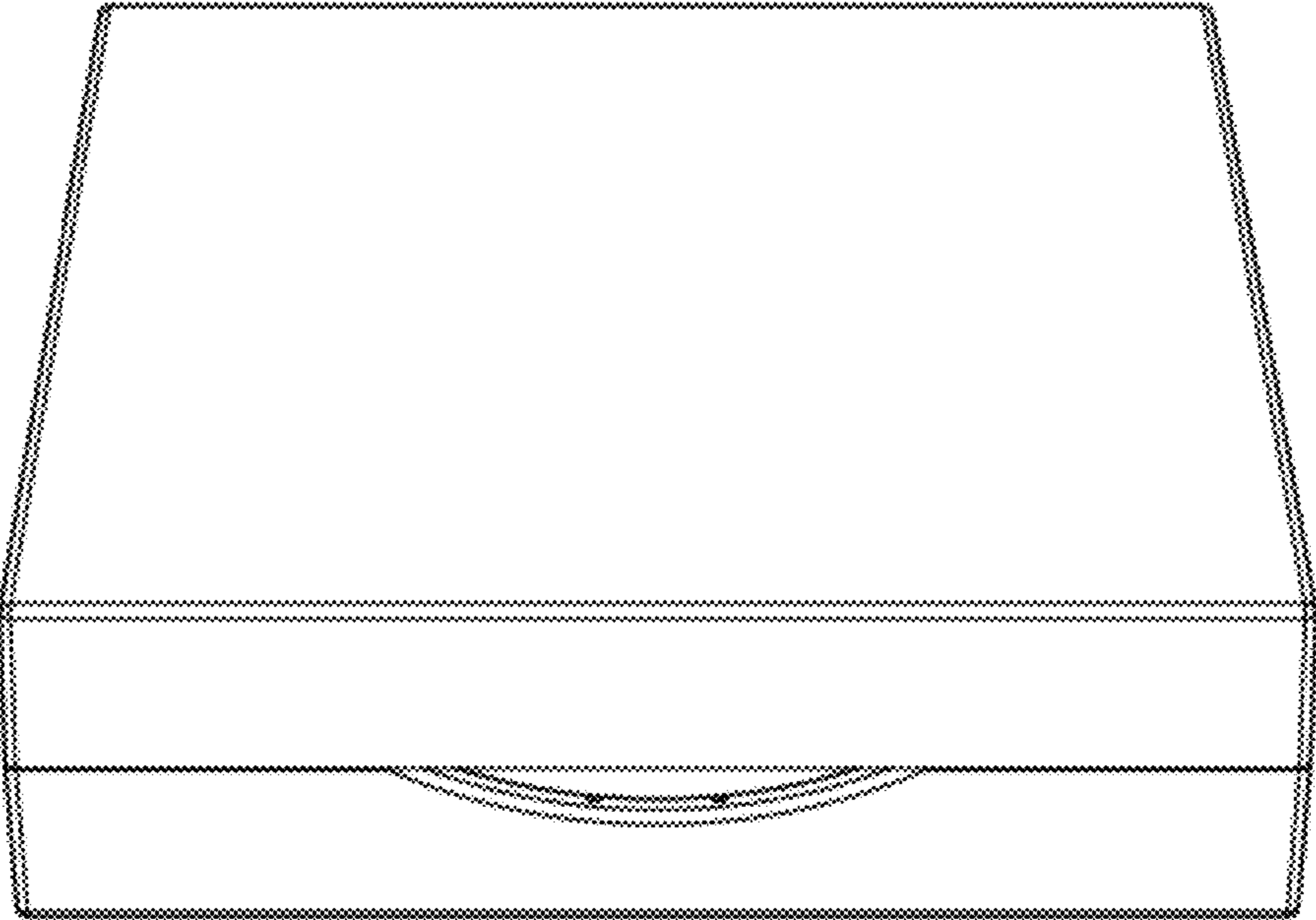


FIG. 3

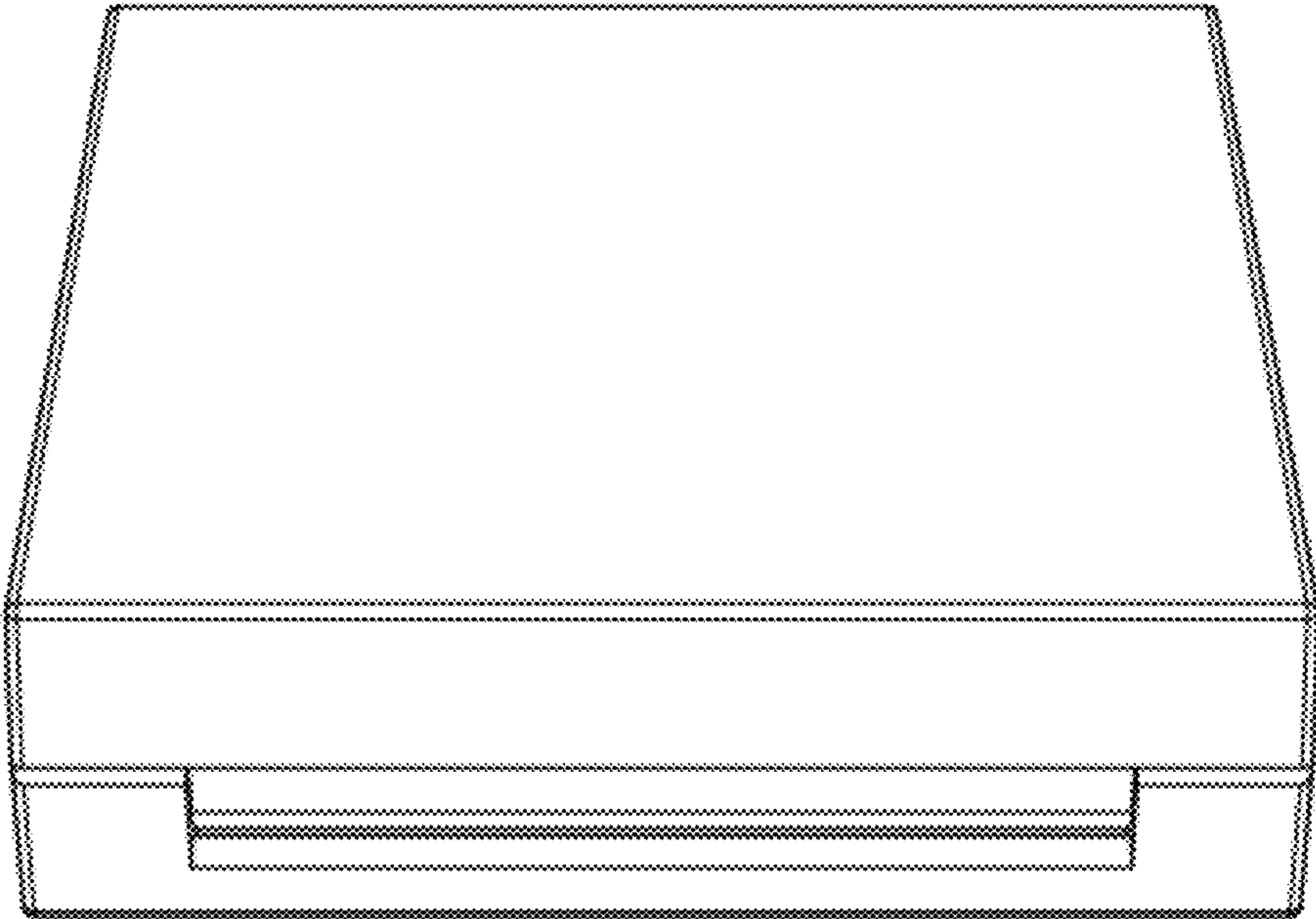


FIG. 4

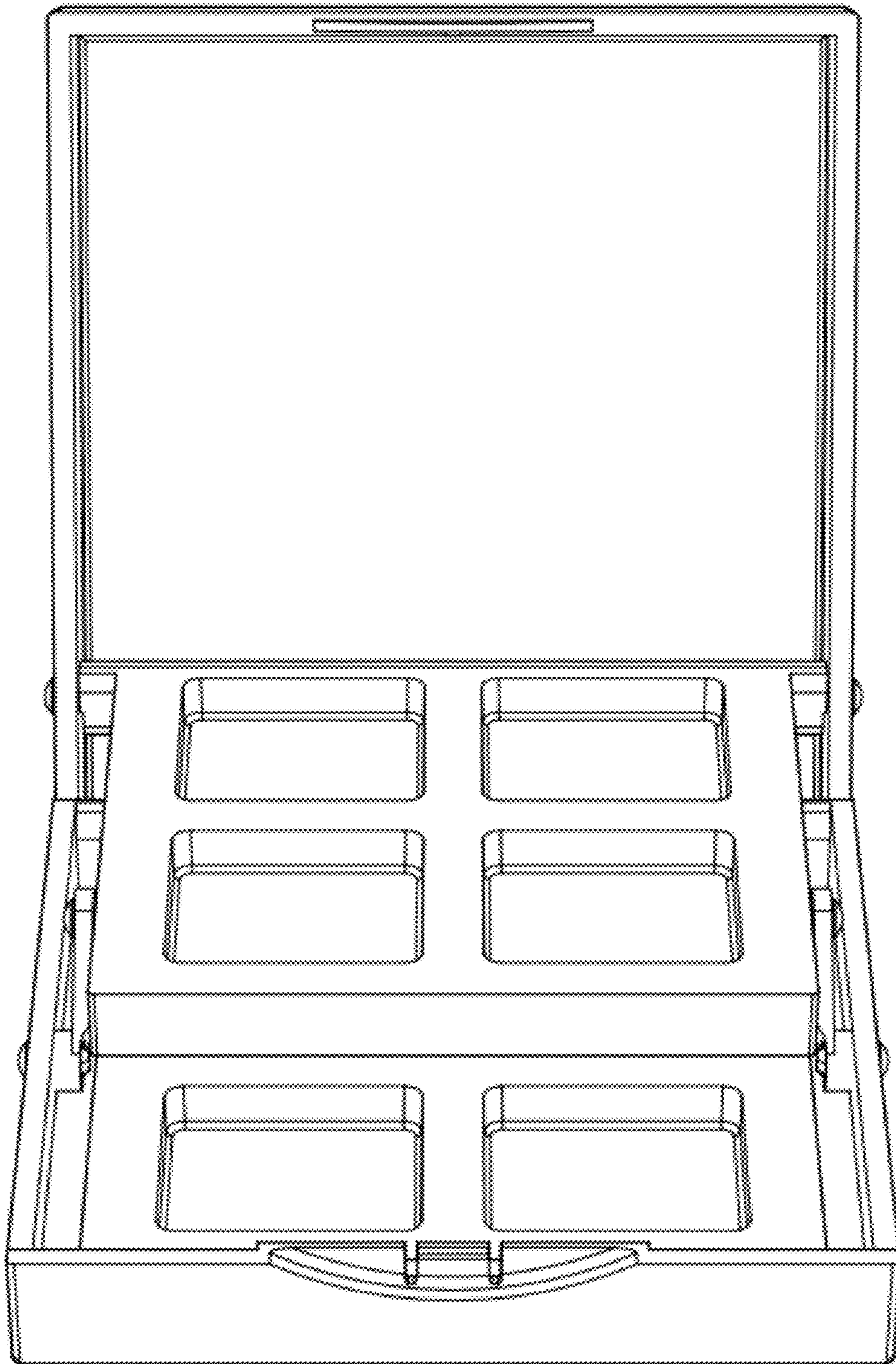


FIG. 5

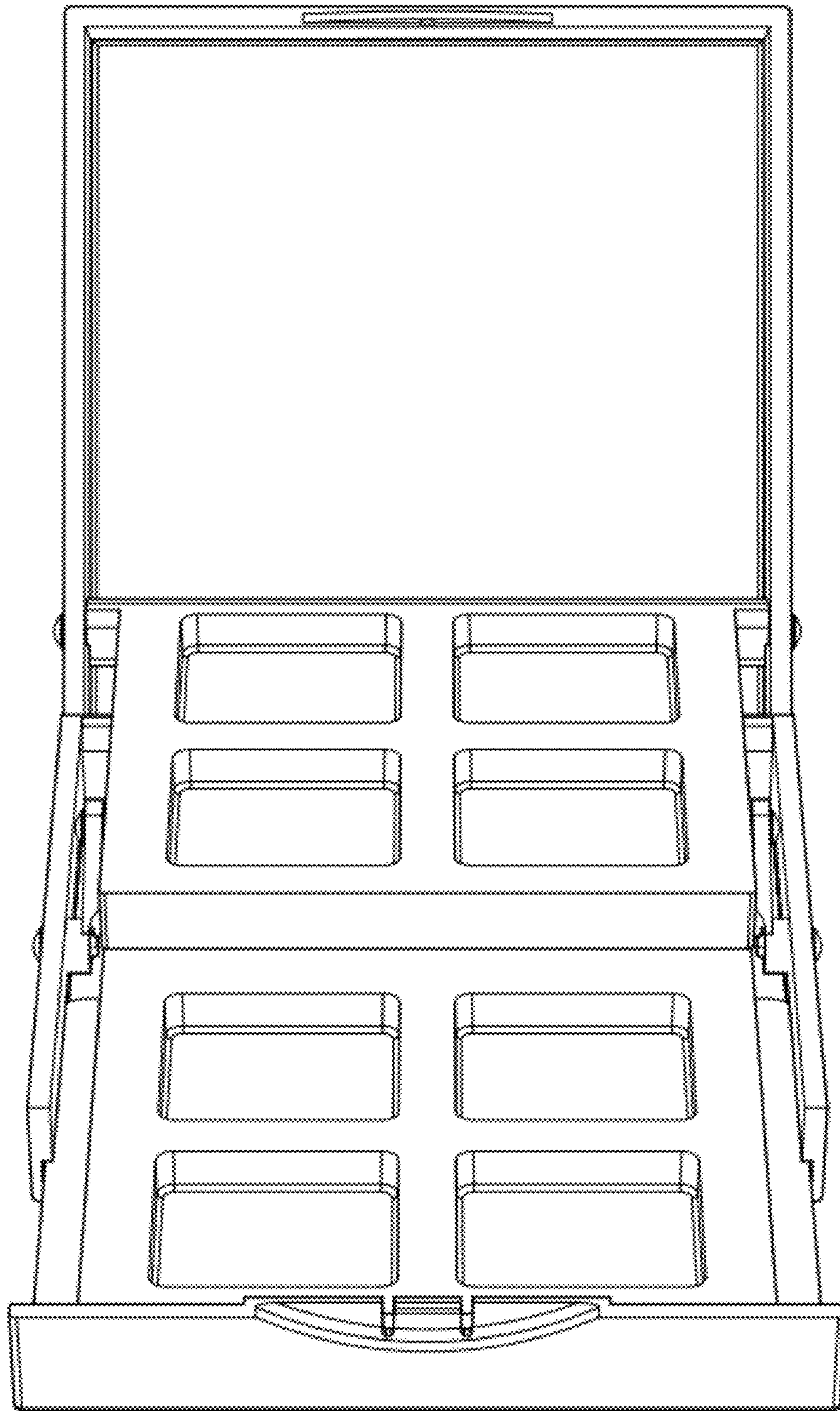


FIG. 6

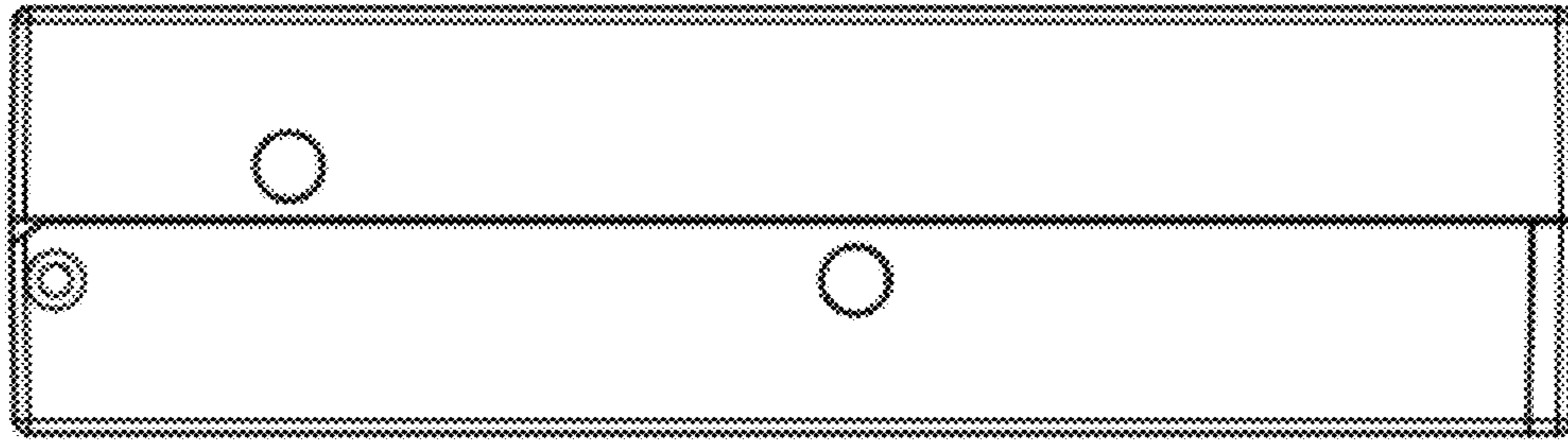


FIG. 7

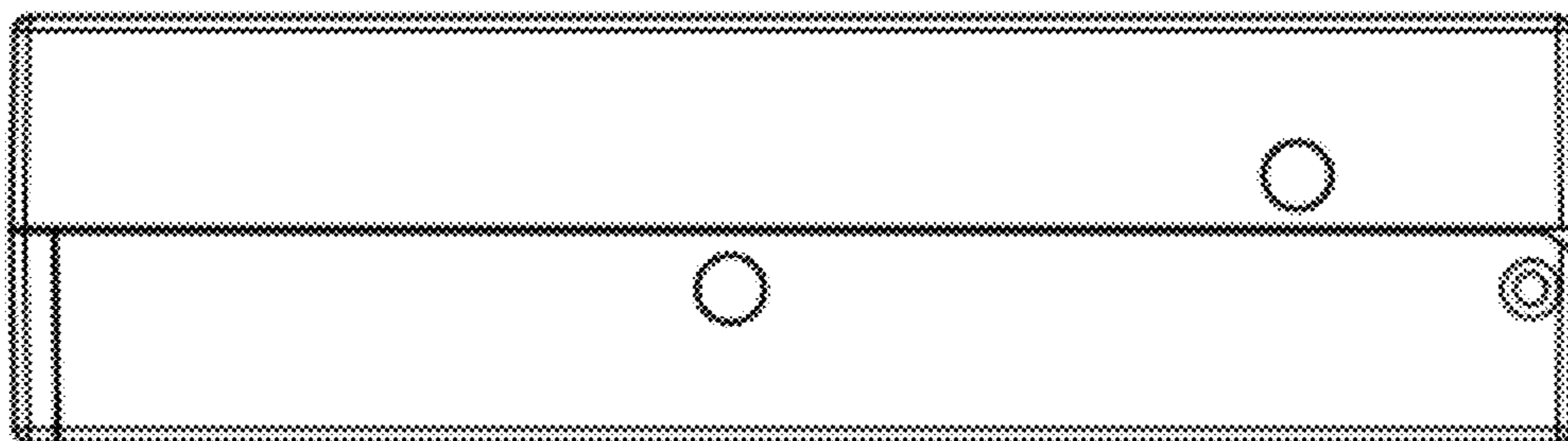


FIG. 8

FIG. 9

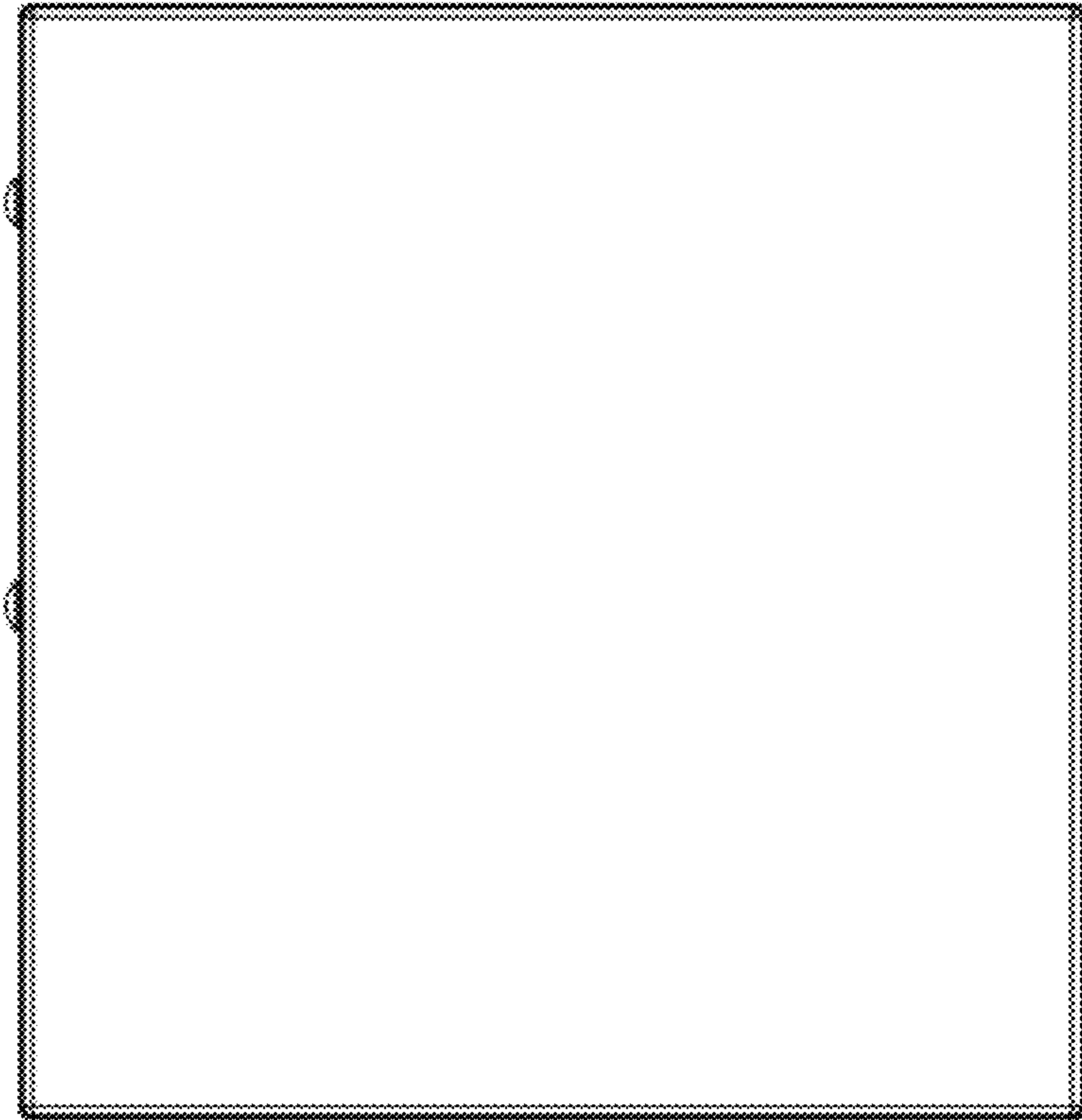
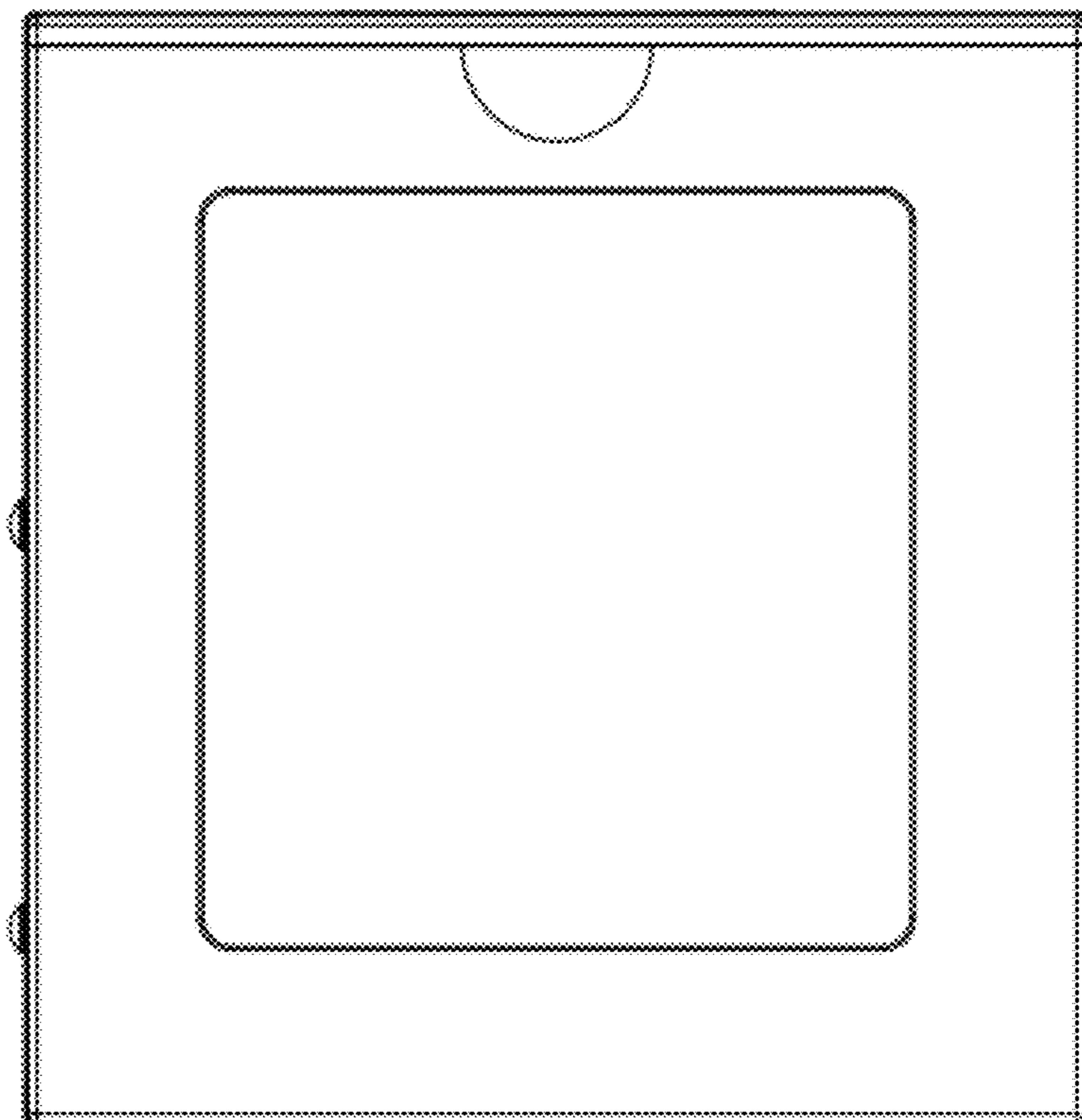


FIG. 10



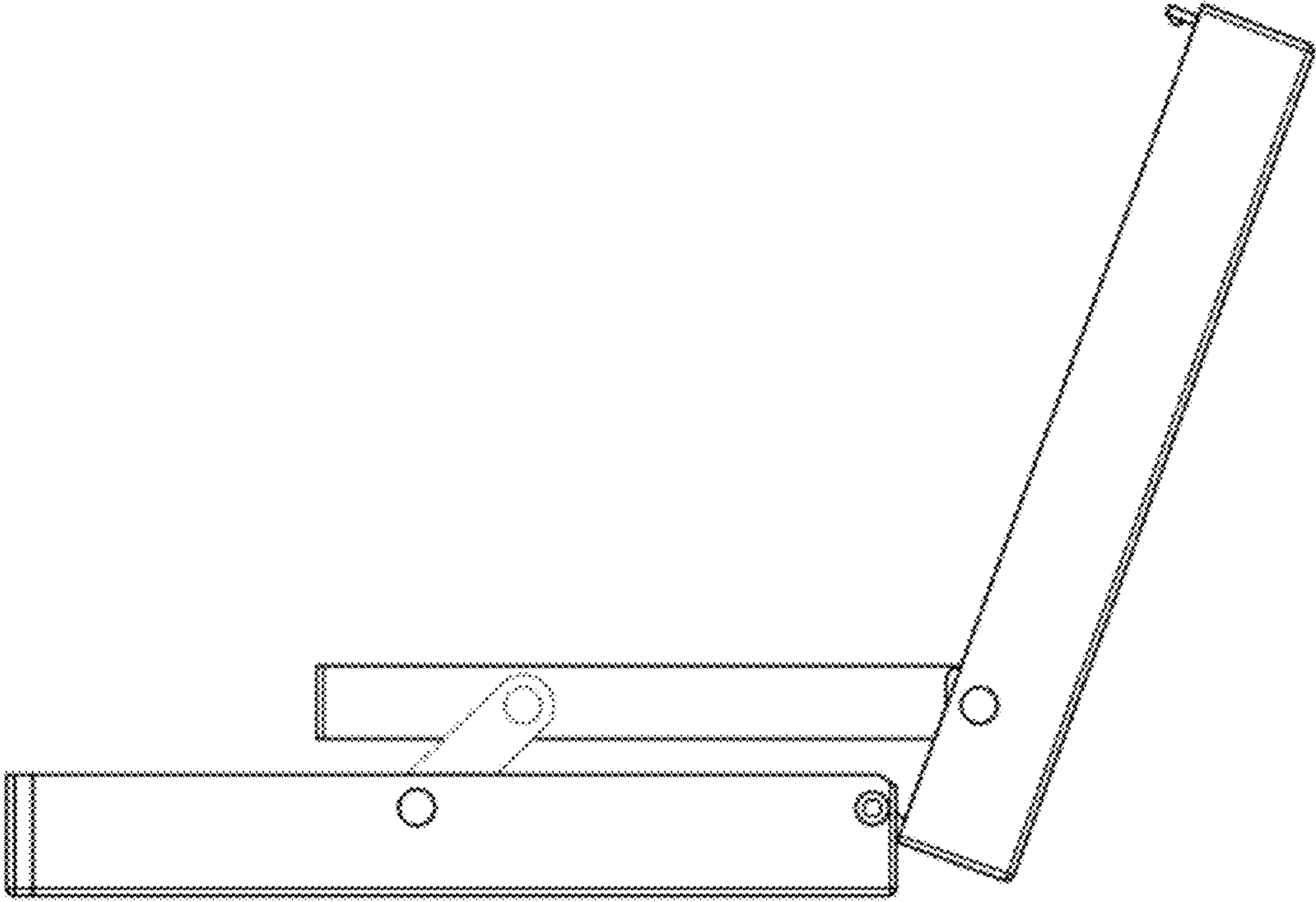


FIG. 11