

US00D666772S

(12) **United States Design Patent**  
**Park**

(10) **Patent No.:** **US D666,772 S**

(45) **Date of Patent:** **\*\* Sep. 4, 2012**

(54) **NAIL BUFFER**

(75) **Inventor:** **Il-Yong Park**, Seoul (KR)

(73) **Assignee:** **Shinwoounion Co., Ltd.**, Seoul (KR)

(\*\*) **Term:** **14 Years**

(21) **Appl. No.:** **29/393,511**

(22) **Filed:** **Jun. 6, 2011**

(30) **Foreign Application Priority Data**

Feb. 18, 2011 (KR) ..... 30-2011-0006288

(51) **LOC (9) Cl.** ..... **28-03**

(52) **U.S. Cl.** ..... **D28/59**

(58) **Field of Classification Search** ..... D28/57,  
D28/59, 61-62; 132/73, 75.3, 75.6, 76.4,  
132/76.5

See application file for complete search history.

(56) **References Cited**

**U.S. PATENT DOCUMENTS**

3,923,070 A \* 12/1975 Tsukamoto ..... 132/73  
D369,438 S \* 4/1996 Resler ..... D28/59  
D459,548 S \* 6/2002 Torkiya ..... D28/59  
D467,389 S \* 12/2002 Torkiya ..... D28/59

D475,808 S \* 6/2003 Jancik ..... D28/59  
D497,220 S \* 10/2004 Torkiya ..... D28/59  
D513,093 S \* 12/2005 Kim ..... D28/59  
D530,450 S \* 10/2006 Park ..... D28/59  
D584,855 S \* 1/2009 Kennedy ..... D28/59  
D599,956 S \* 9/2009 Kim ..... D28/59

\* cited by examiner

*Primary Examiner* — Jennifer Rivard

(74) *Attorney, Agent, or Firm* — McDonald Hopkins LLC

(57) **CLAIM**

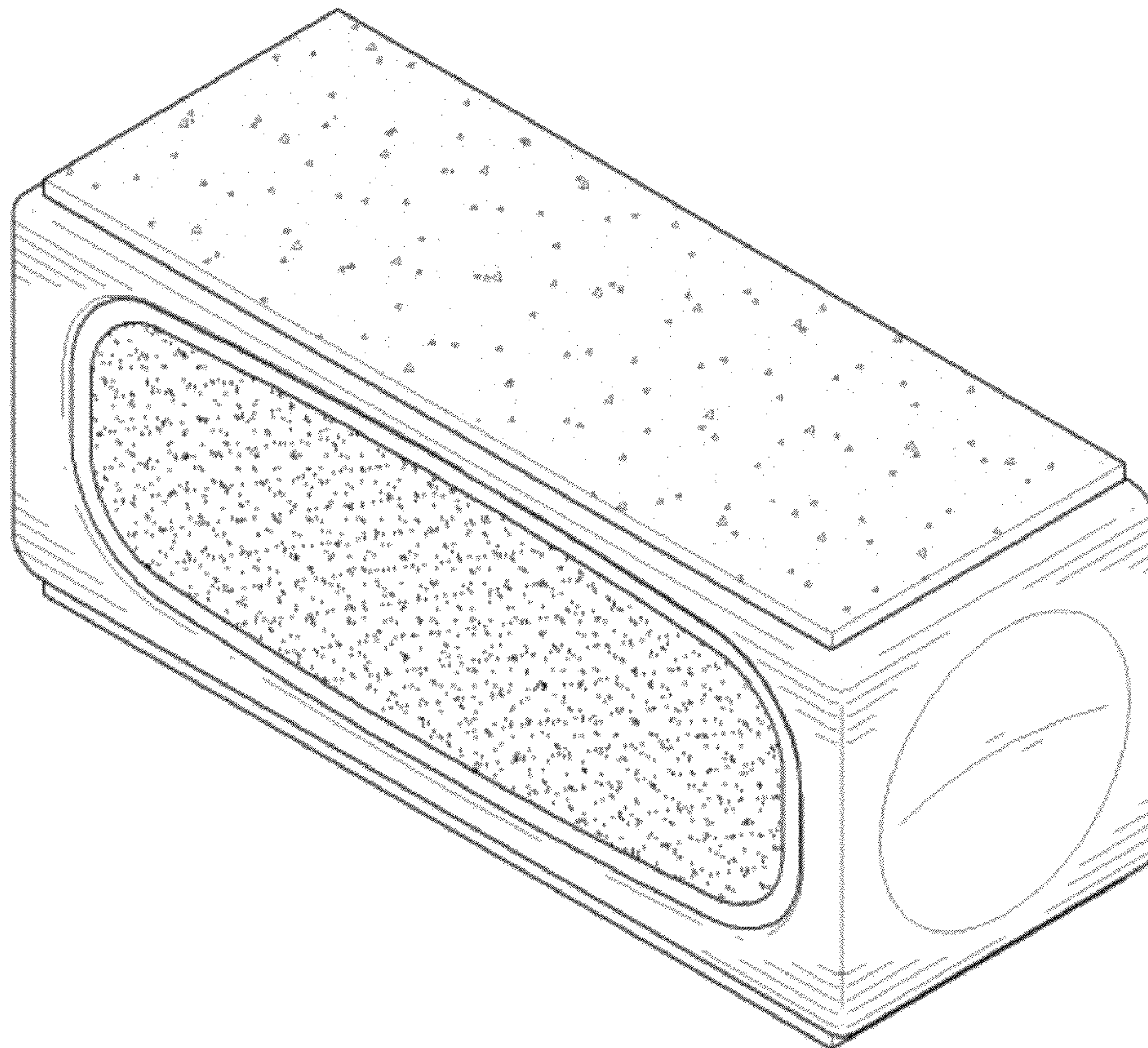
The ornamental design for the nail buffer, as shown and described.

**DESCRIPTION**

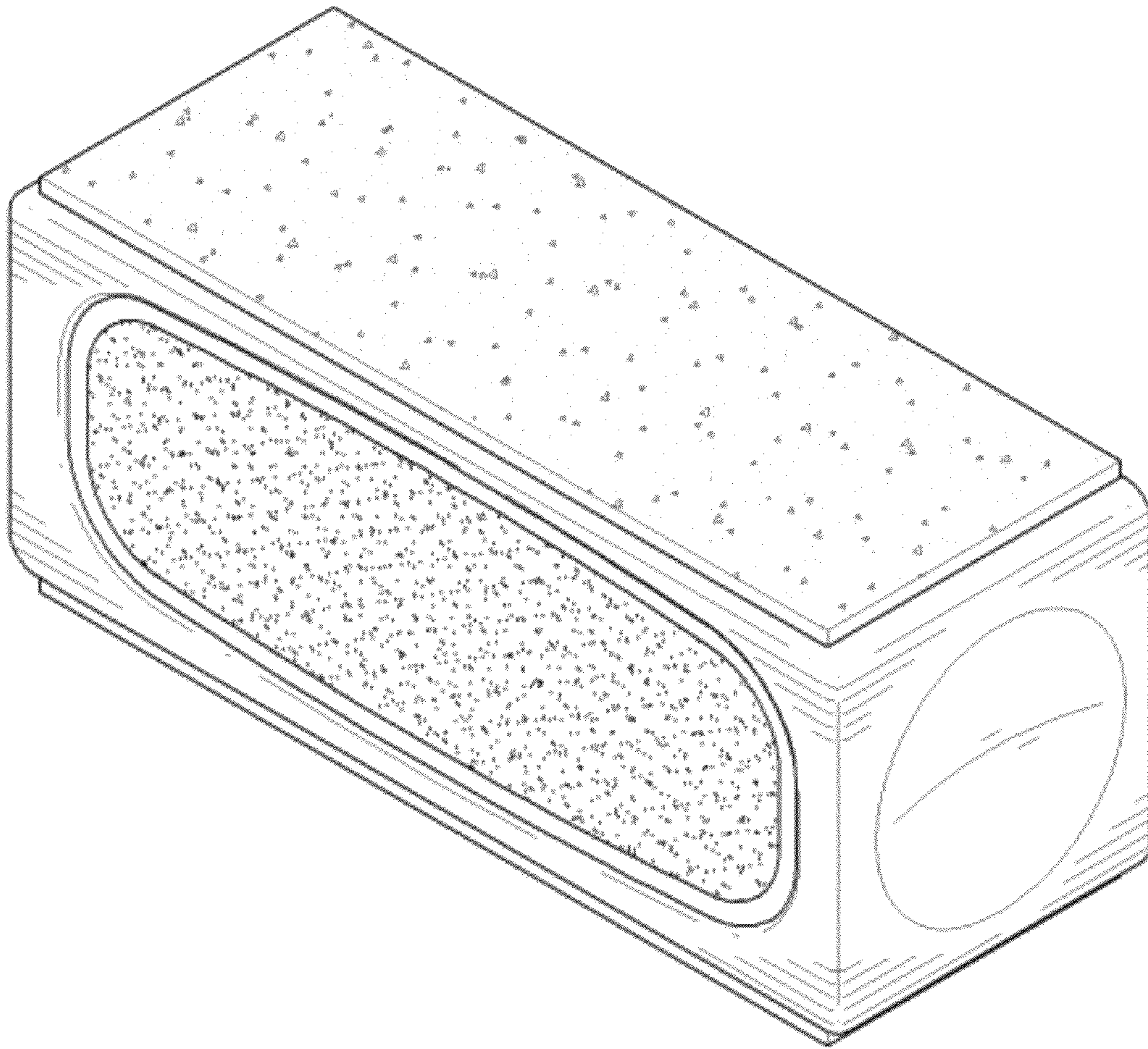
FIG. 1 is a perspective view of my design for a nail buffer;  
FIG. 2 is a front view thereof;  
FIG. 3 is a rear view thereof;  
FIG. 4 is a top view thereof;  
FIG. 5 is a bottom view thereof;  
FIG. 6 is a left side view thereof; and,  
FIG. 7 is a right side view thereof.

The outermost broken line indicates a portion of the article and the innermost broken line indicates the boundary of the claimed design. None of the broken lines forms part of the claimed design.

**1 Claim, 4 Drawing Sheets**



**FIG 1**





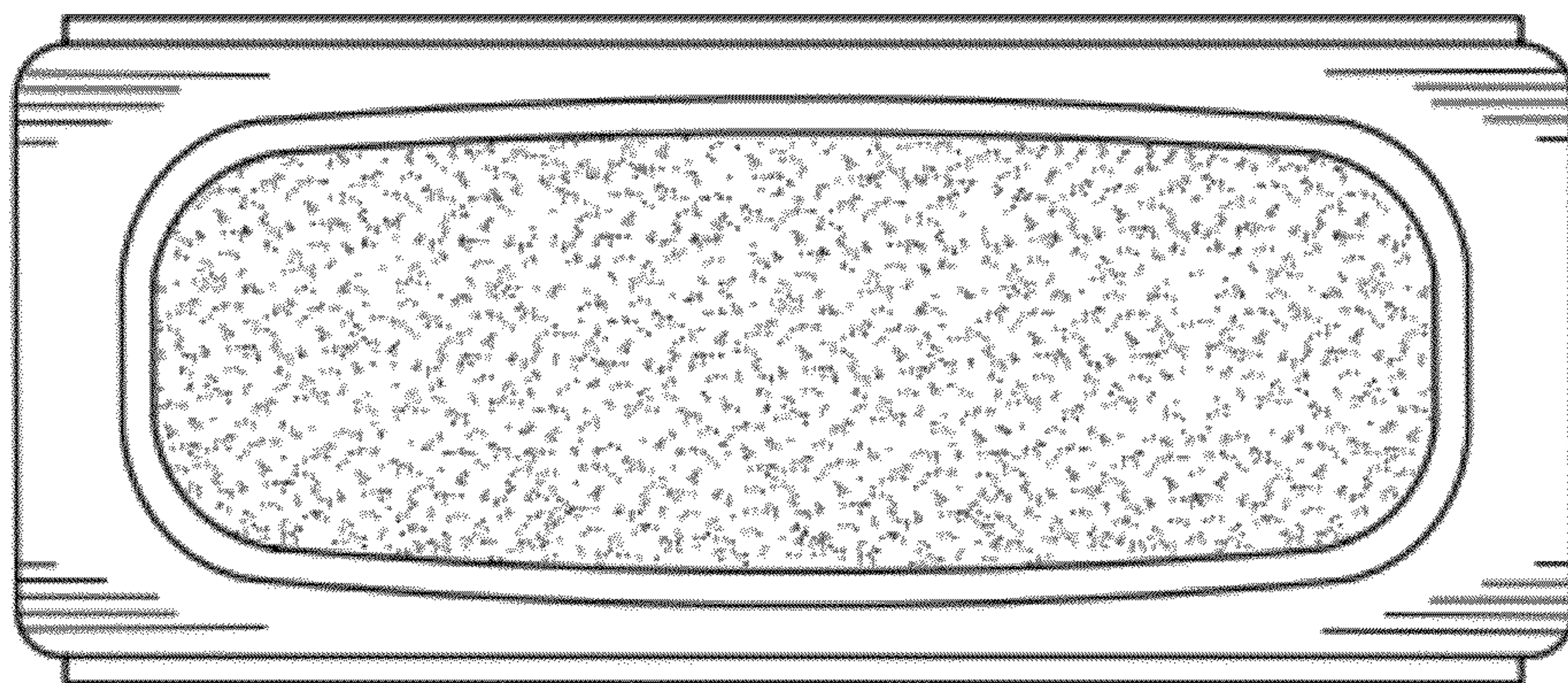


FIG. 2

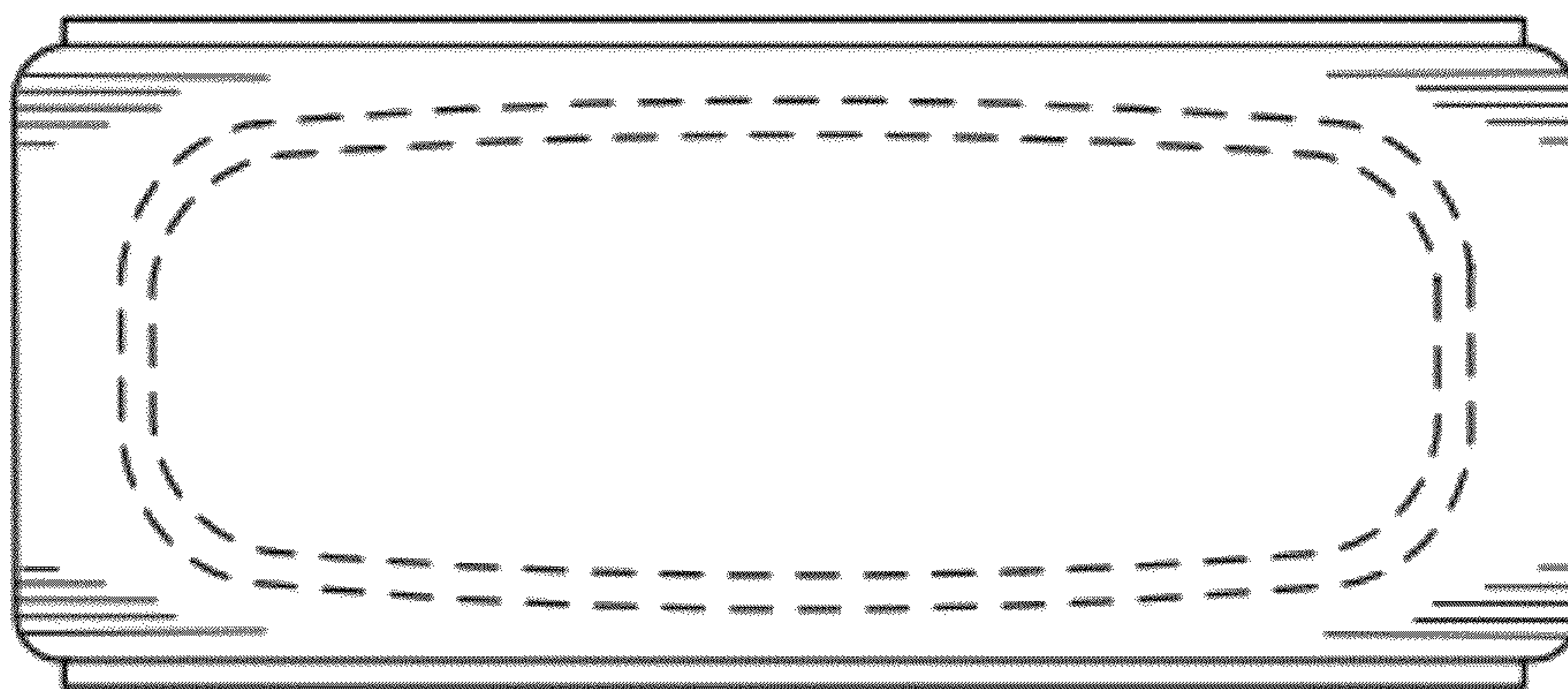
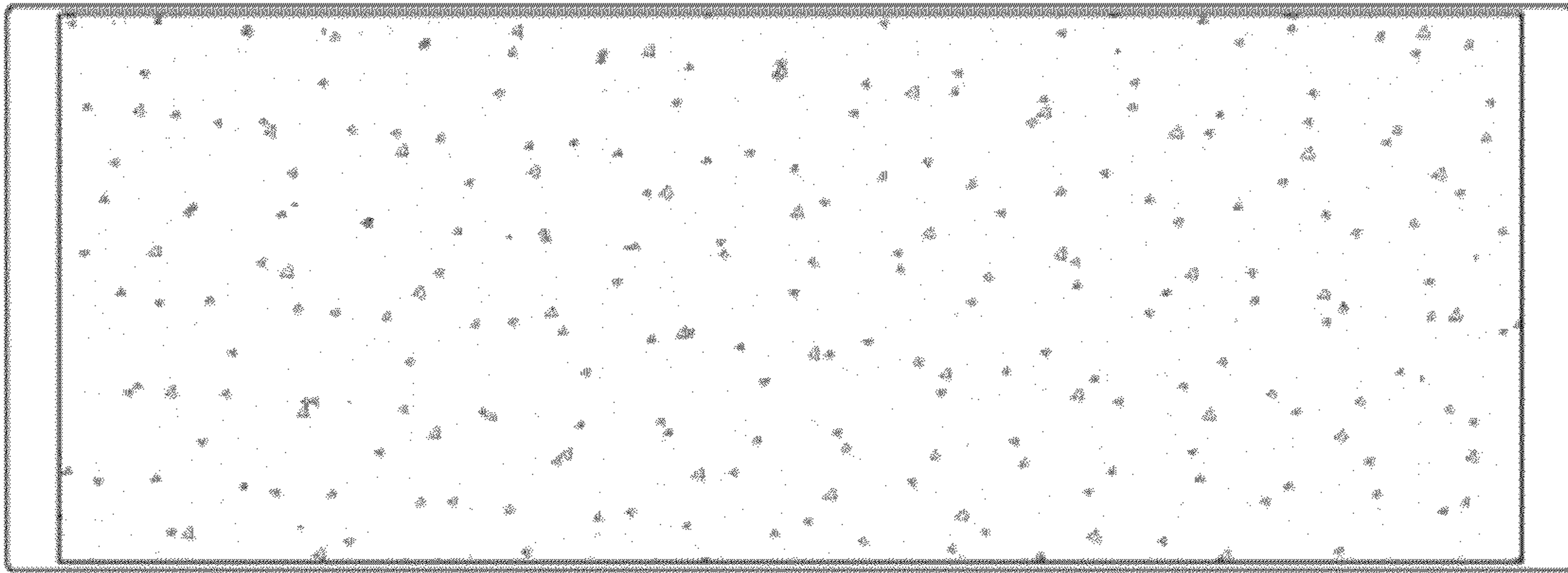
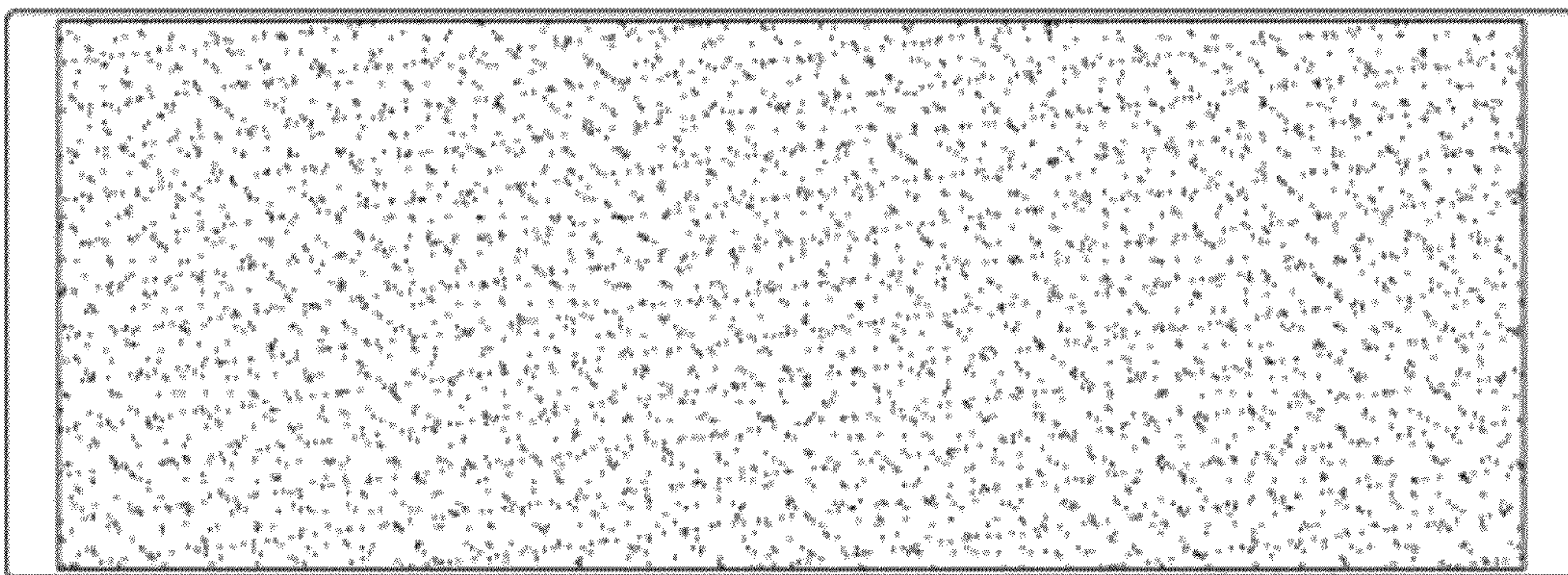


FIG. 3

**FIG 4**

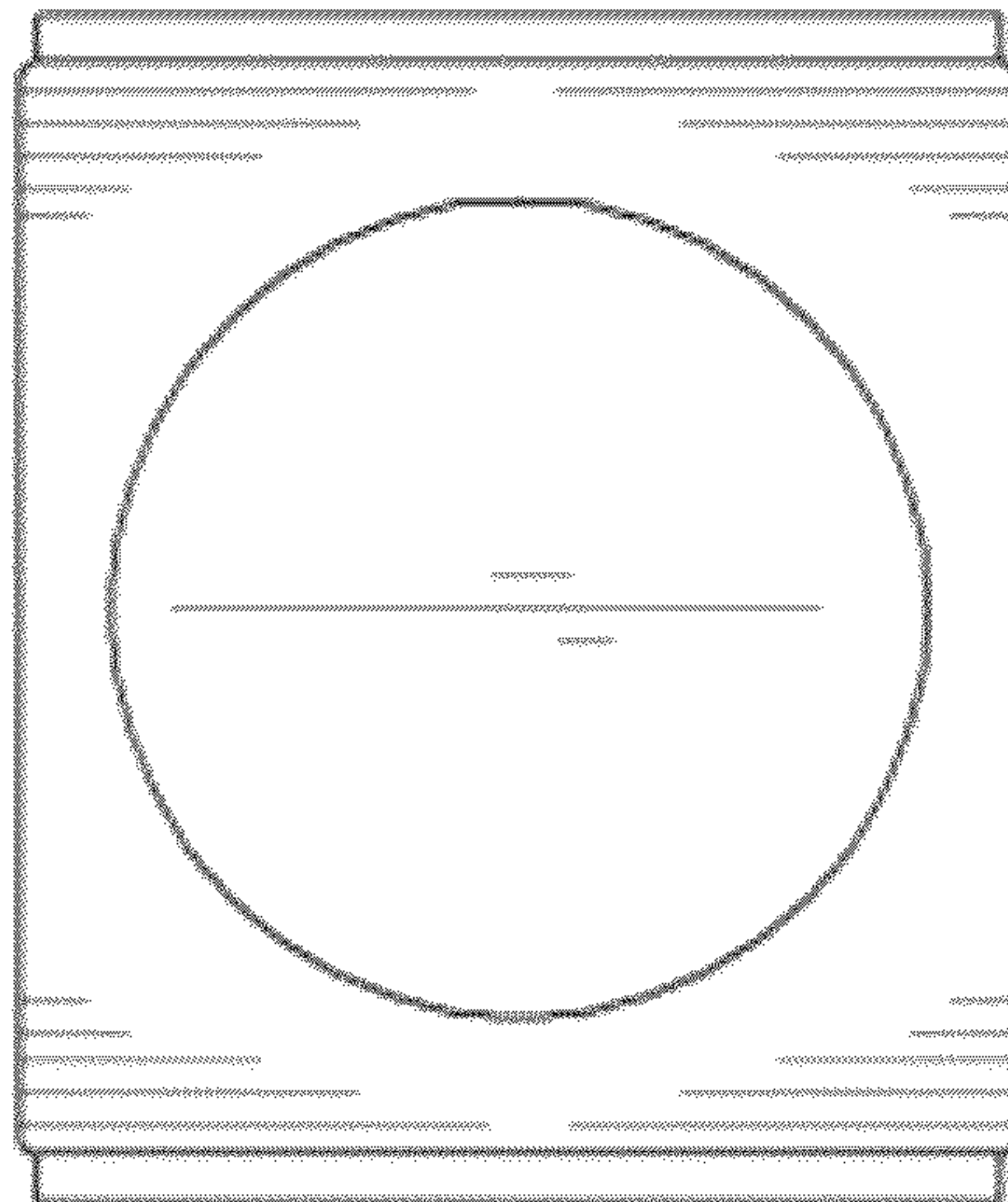


**FIG 5**





**FIG 6**



**FIG 7**

