



US00D666769S

(12) **United States Design Patent**  
**Nixon**

(10) **Patent No.:** **US D666,769 S**

(45) **Date of Patent:** **\*\* \*Sep. 4, 2012**

- (54) **POUCH**
- (75) Inventor: **Anne E. Nixon**, Bridgeport, CT (US)
- (73) Assignee: **The Sun Products Corporation**,  
Wilton, CT (US)
- (\*) Notice: This patent is subject to a terminal disclaimer.
- (\*\*) Term: **14 Years**

- D490,184 S 5/2004 McLeish
- D494,317 S 8/2004 Jowett et al.
- D518,917 S 4/2006 Jowett et al.
- D549,870 S 8/2007 McCarthy
- D564,899 S 3/2008 Hardy
- D576,353 S 9/2008 McCarthy
- D599,056 S 8/2009 Schwartz et al.
- D608,049 S 1/2010 Schwartz et al.
- D622,157 S 8/2010 Mehdizadeh
- D639,182 S 6/2011 Nixon
- D639,183 S 6/2011 Nixon

(Continued)

- (21) Appl. No.: **29/404,279**
- (22) Filed: **Oct. 18, 2011**

**Related U.S. Application Data**

- (63) Continuation of application No. 29/368,404, filed on Aug. 23, 2010, now Pat. No. Des. 648,481.
- (51) **LOC (9) Cl.** ..... **28-02**
- (52) **U.S. Cl.** ..... **D28/8.1**
- (58) **Field of Classification Search** ..... D9/702-714,  
D9/695, 697-699, 720-722, 414, 424, 426;  
206/484, 438; 222/143, 92, 107; 383/127,  
383/37-38, 103, 107, 113, 61.1, 9, 15, 16,  
383/906; 68/17 R, 12.18, 207; D27/183,  
D27/185; D24/115, 224, 118; 604/217;  
229/72, 200, 87.06, 87.08, 87.05; D28/8.1  
See application file for complete search history.

(56) **References Cited**

**U.S. PATENT DOCUMENTS**

- D429,525 S 8/2000 Richardson
- D445,675 S 7/2001 Richardson
- D447,555 S 9/2001 Richardson
- D452,143 S \* 12/2001 Ghatlia et al. .... D28/8.1
- D472,799 S 4/2003 Ghatlia et al.
- D474,857 S 5/2003 McLeish
- D479,123 S 9/2003 Ghatlia et al.
- D479,128 S 9/2003 Jowett
- D485,643 S 1/2004 McLeish
- D487,165 S 2/2004 Hammond et al.
- D487,563 S 3/2004 Ghatlia et al.

**OTHER PUBLICATIONS**

U.S. Appl. No. 29/368,408, "Pouch", filed Aug. 23, 2010.

(Continued)

*Primary Examiner* — Caron D Veynar  
*Assistant Examiner* — Abraham Bahta  
 (74) *Attorney, Agent, or Firm* — Sterne, Kessler, Goldstein & Fox P.L.L.C.

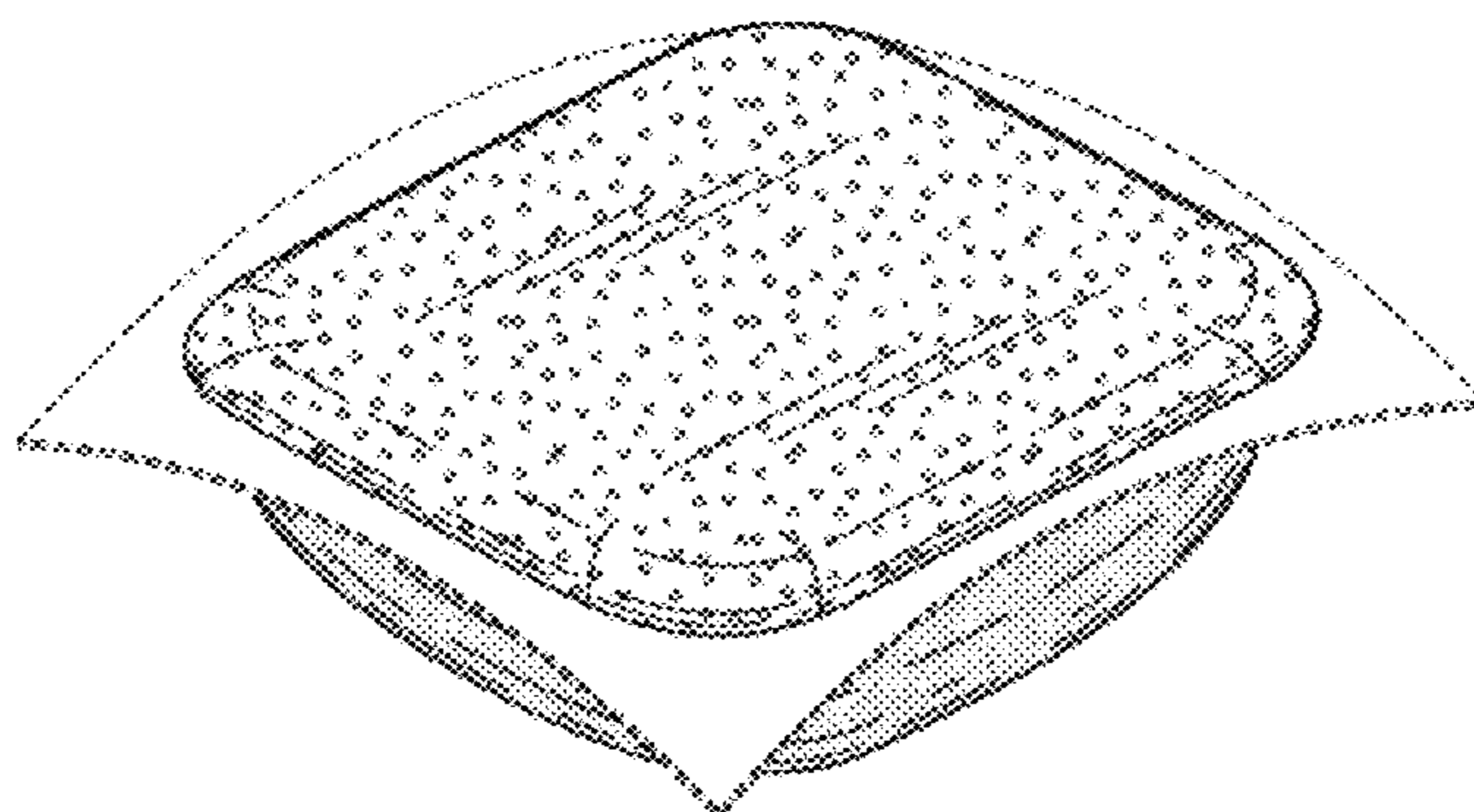
(57) **CLAIM**

The ornamental design for a pouch, as shown and described.

**DESCRIPTION**

FIG. 1 is a top perspective view of a pouch showing my new design in which the stippling is intended to show a contrasting appearance of the materials disposed within the pouch;  
 FIG. 2 is a top plan view thereof;  
 FIG. 3 is a bottom plan view thereof;  
 FIG. 4 is a front view thereof;  
 FIG. 5 is a rear view thereof;  
 FIG. 6 is a left side view thereof; and,  
 FIG. 7 is a right side view thereof.  
 The broken lines in the figures show portions of the pouch which form no part of the claimed design.  
 The pouch of the present invention is transparent and may contain contrasting materials. The contrasting materials may be cleaning compositions such as automatic dishwashing compositions.

**1 Claim, 4 Drawing Sheets**



# US D666,769 S

Page 2

---

## U.S. PATENT DOCUMENTS

D639,184 S      6/2011 Nixon  
D640,934 S      7/2011 Nixon

## OTHER PUBLICATIONS

U.S. Appl. No. 29/390,861, "Pouch", filed Apr. 29, 2011.

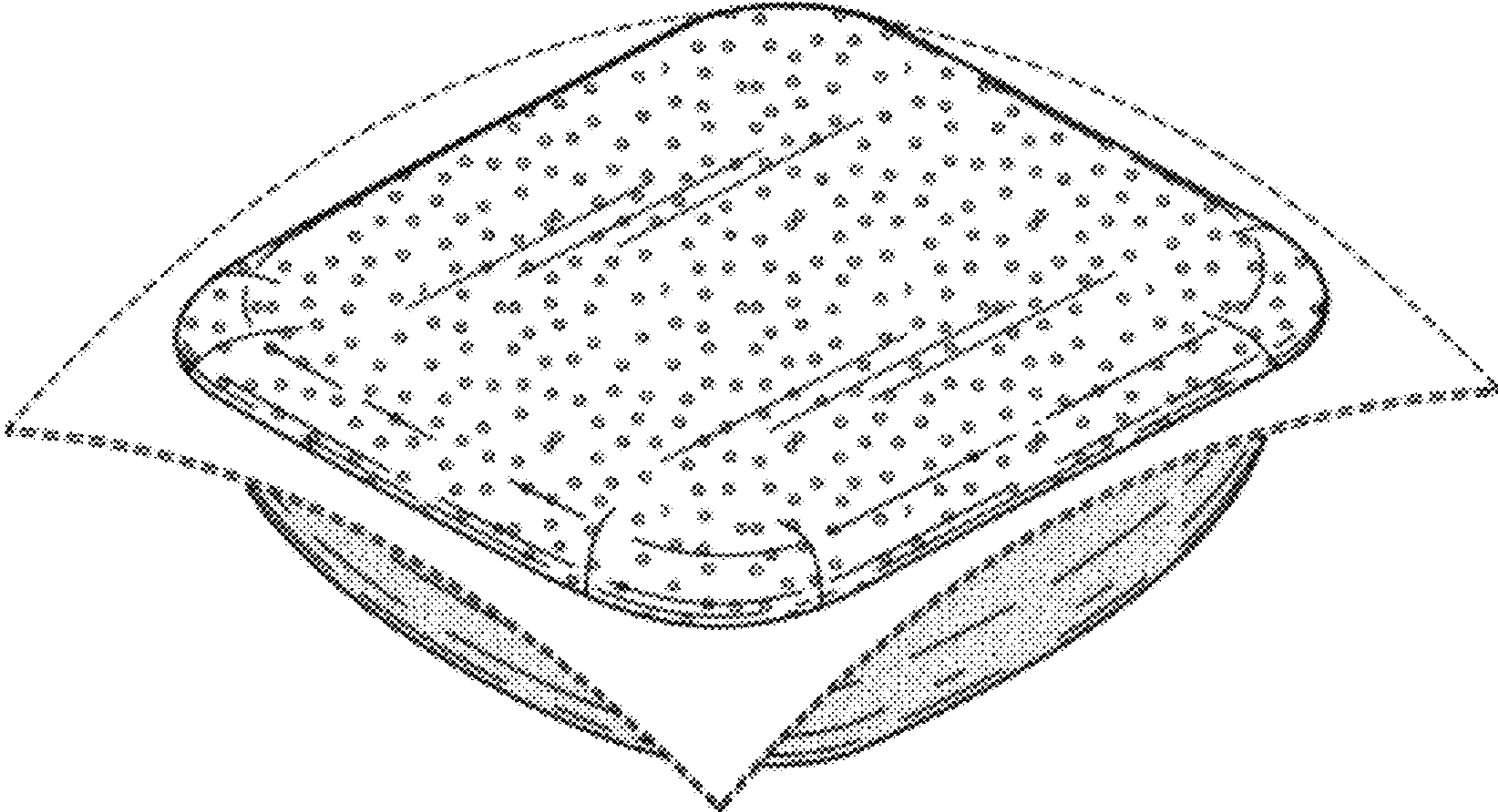
U.S. Appl. No. 29/390,863, "Pouch", filed Apr. 29, 2011.

U.S. Appl. No. 29/396,601, "Pouch", filed Jul. 1, 2011.

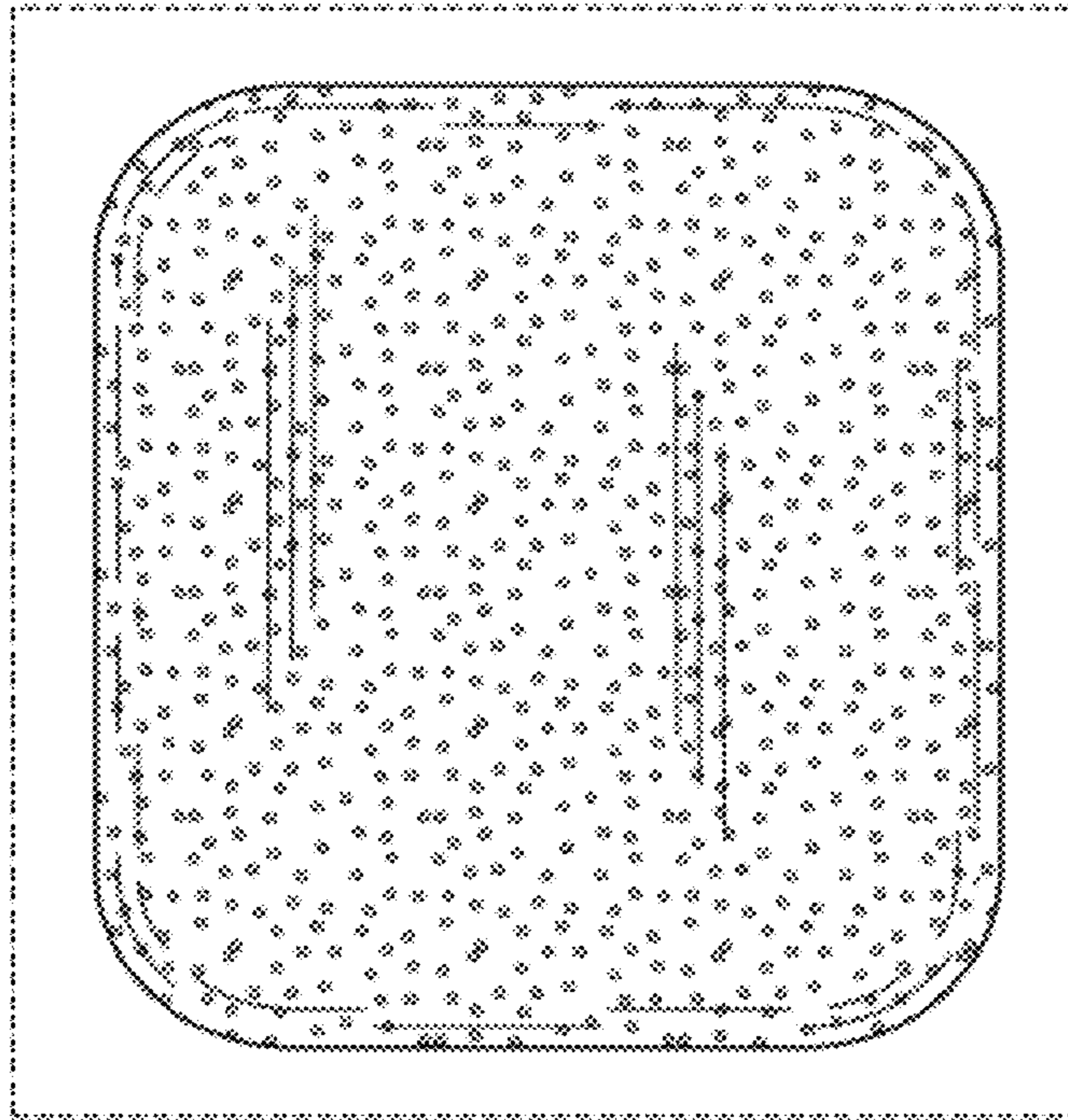
U.S. Appl. No. 29/396,603, "Pouch", filed Jul. 1, 2011.

U.S. Appl. No. 29/396,605, "Pouch", filed Jul. 1, 2011.

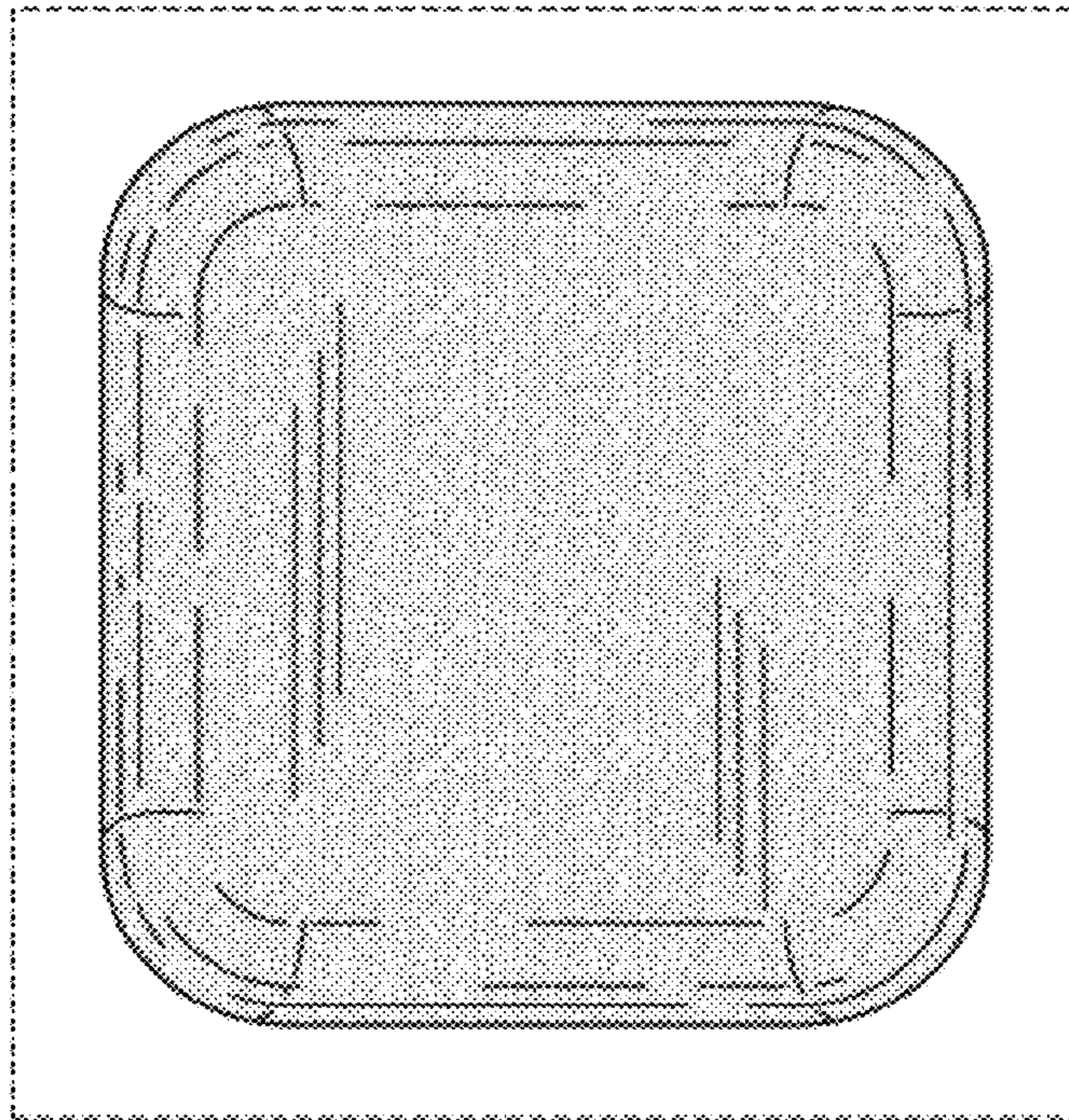
\* cited by examiner



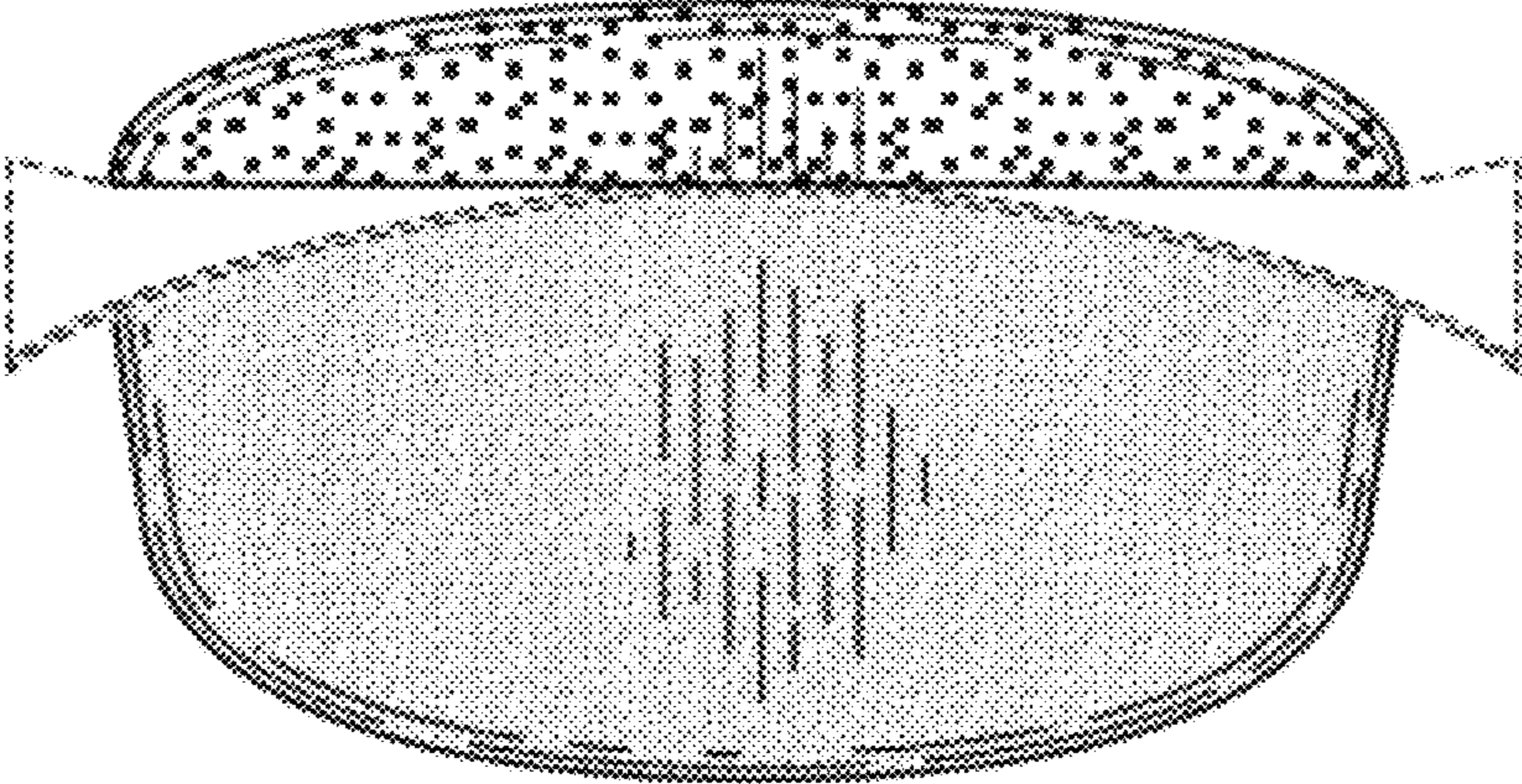
**FIG. 1**



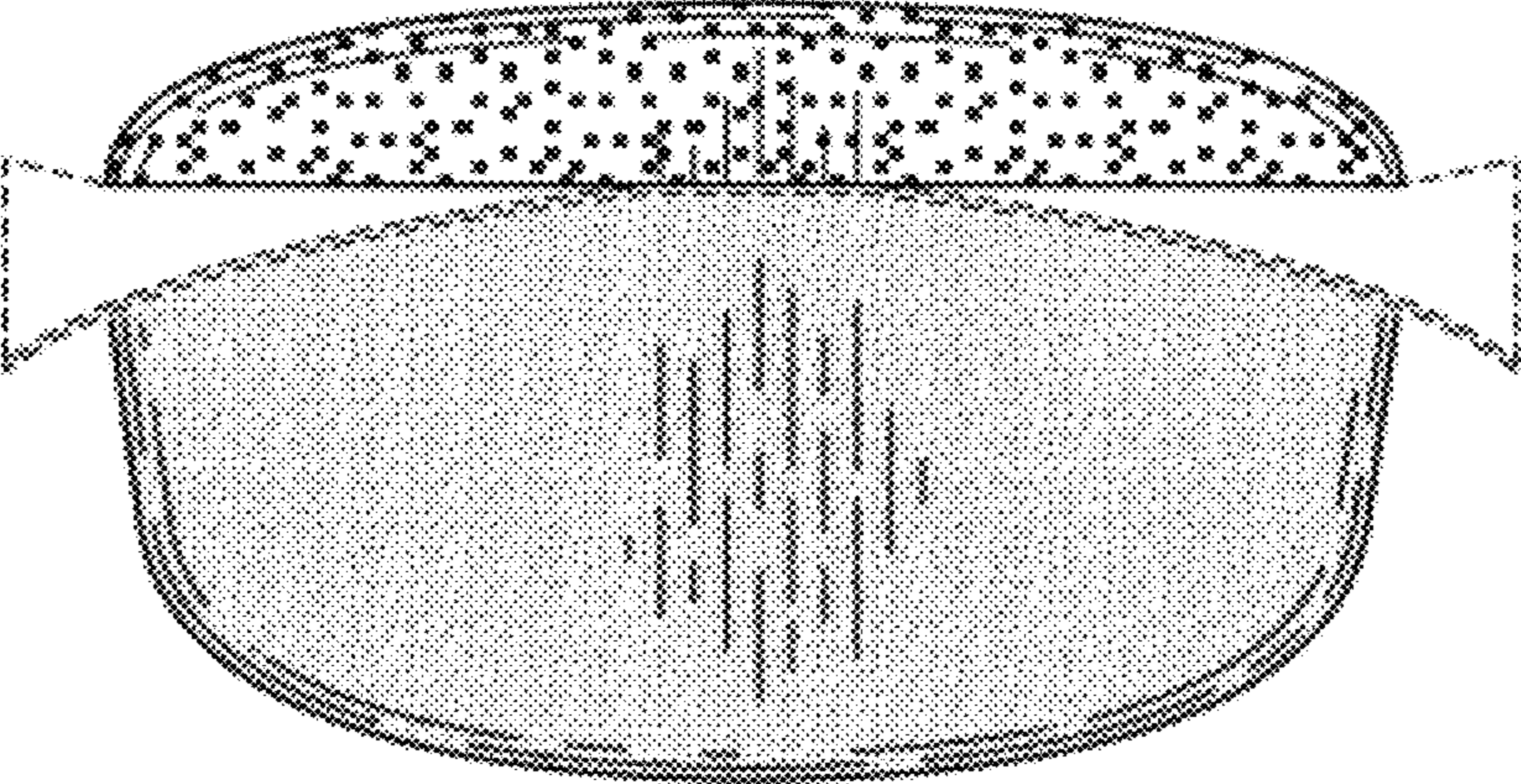
**FIG. 2**



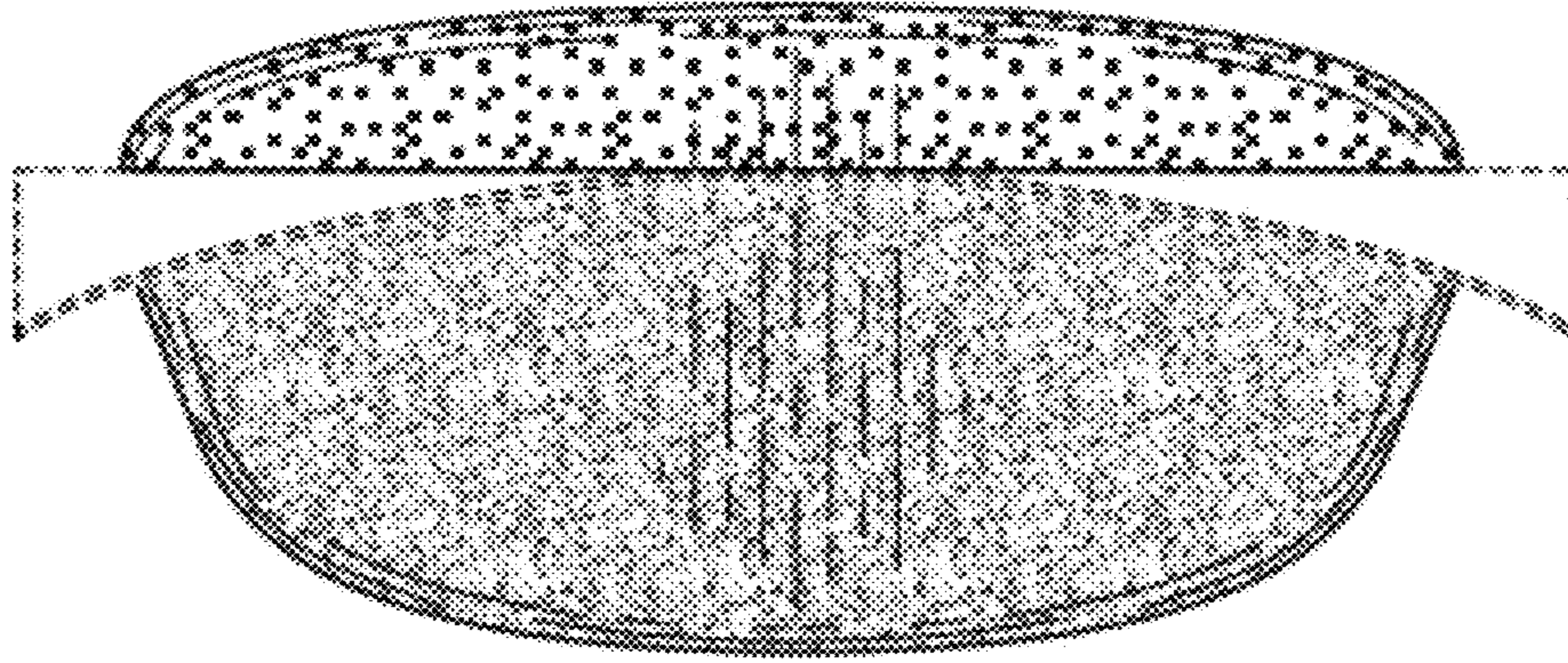
**FIG. 3**



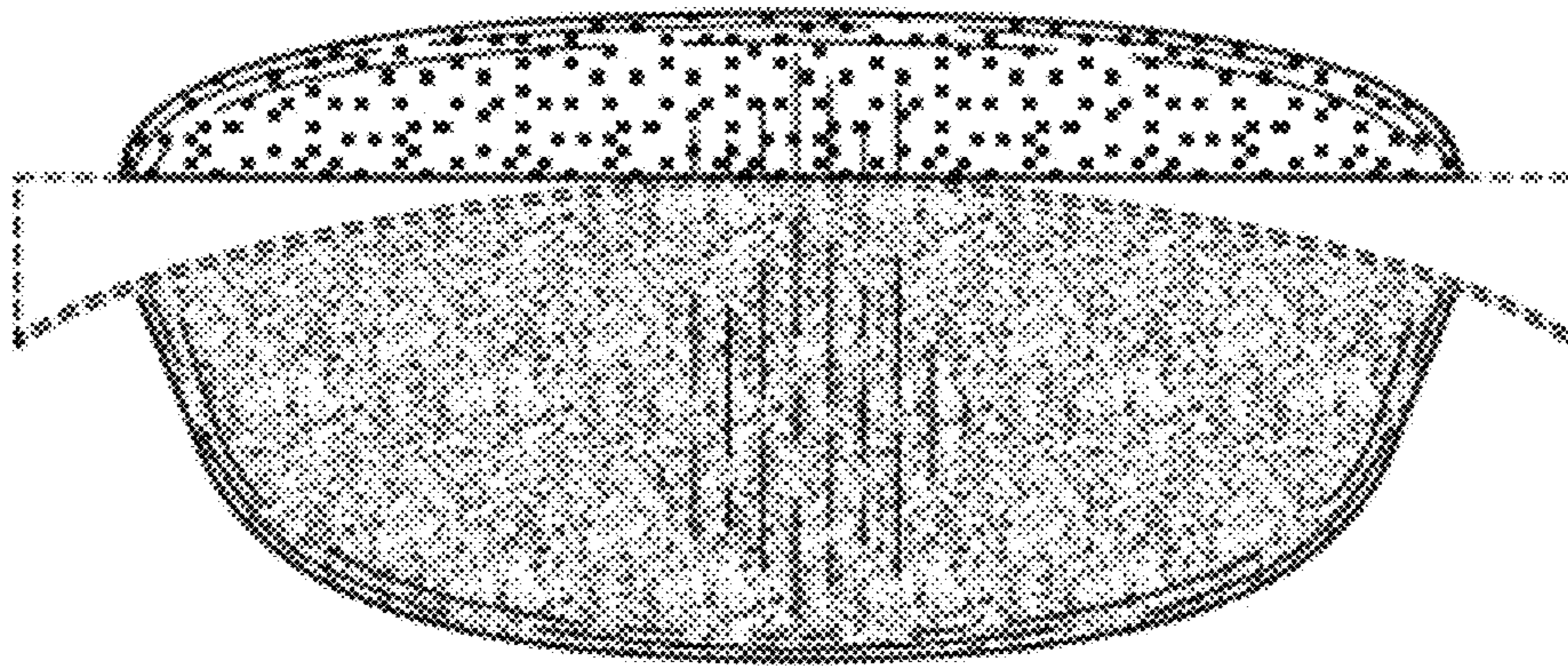
**FIG. 4**



**FIG. 5**



**FIG. 6**



**FIG. 7**