

US00D666767S

(12) **United States Design Patent**
Huang

(10) **Patent No.:** **US D666,767 S**

(45) **Date of Patent:** **** Sep. 4, 2012**

(54) **BASE OF A LAMP STAND**

(56) **References Cited**

(75) Inventor: **Huo-Tu Huang**, New Taipei (TW)

U.S. PATENT DOCUMENTS

(73) Assignee: **Huangslite Industrial Co., Ltd.**, New Taipei (TW)

D339,648 S *	9/1993	Wen-Yung	D26/51
D344,547 S *	2/1994	Tietje	D19/90
D349,170 S *	7/1994	Lin	D26/51
D367,124 S *	2/1996	Sherman	D26/63
D372,938 S *	8/1996	Wilson et al.	D19/75
D436,677 S *	1/2001	Huo-Tu	D26/63
D440,679 S *	4/2001	Lo	D26/62
6,591,990 B2 *	7/2003	Lanman et al.	211/10

(**) Term: **14 Years**

* cited by examiner

(21) Appl. No.: **29/413,638**

(22) Filed: **Feb. 17, 2012**

Primary Examiner — Kevin Rudzinski

(51) **LOC (9) Cl.** **26-99**

(74) *Attorney, Agent, or Firm* — Bacon & Thomas, PLLC

(52) **U.S. Cl.** **D26/142**

(58) **Field of Classification Search** D26/155,

D26/60, 152, 154, 74, 75, 76, 77, 78, 113,
D26/118, 119, 120, 121, 122, 128, 138, 125,
D26/124, 126, 127, 85, 86, 88, 89, 90, 91,
D26/65, 64, 67, 68, 1, 2, 24, 141, 142, 145,
D26/144, 92, 93, 62, 63, 51, 56, 55, 58, 104,
D26/139, 140, 3; 362/101, 225, 634, 246,
362/326, 249.01–249.11, 220, 221, 224,
362/222, 223, 275, 276, 277, 271, 162, 450,
362/236; 211/10; 439/94, 95, 115, 110;
D8/380, 396, 394, 72, 354, 349, 373; D6/310,
D6/314, 470; D23/411; D11/90, 89, 132;
D19/96, 90, 77, 78, 75; D13/179, 180, 155

See application file for complete search history.

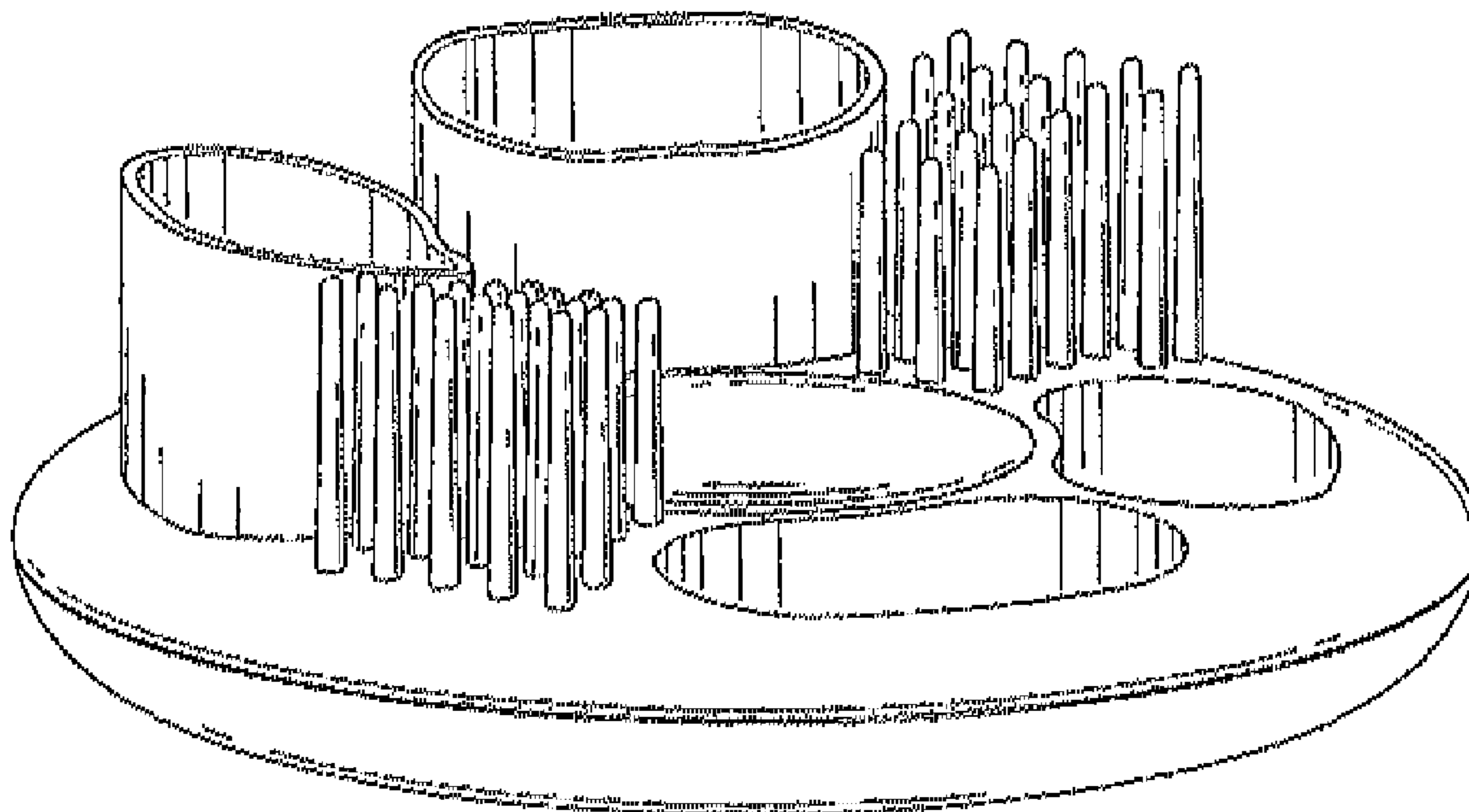
(57) **CLAIM**

I claim the ornamental design for base of a lamp stand, as shown and described.

DESCRIPTION

FIG. 1 is a perspective view of base of a lamp stand showing my new design;
FIG. 2 is a front elevational view thereof;
FIG. 3 is a rear elevational view thereof;
FIG. 4 is a left side elevational view thereof;
FIG. 5 is a right side elevational view thereof;
FIG. 6 is a top plan view thereof; and,
FIG. 7 is a bottom plan view thereof.

1 Claim, 4 Drawing Sheets



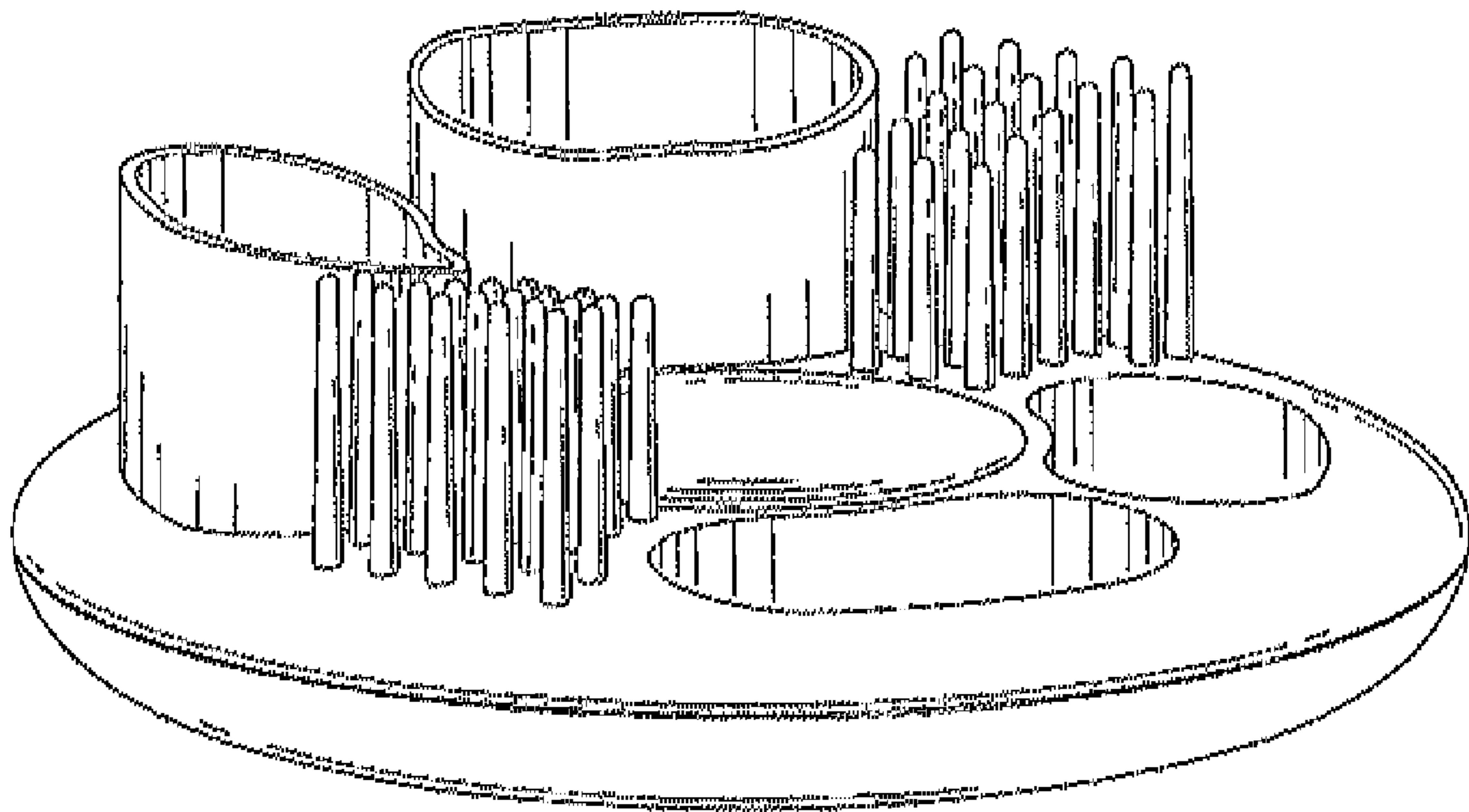


FIG. 1

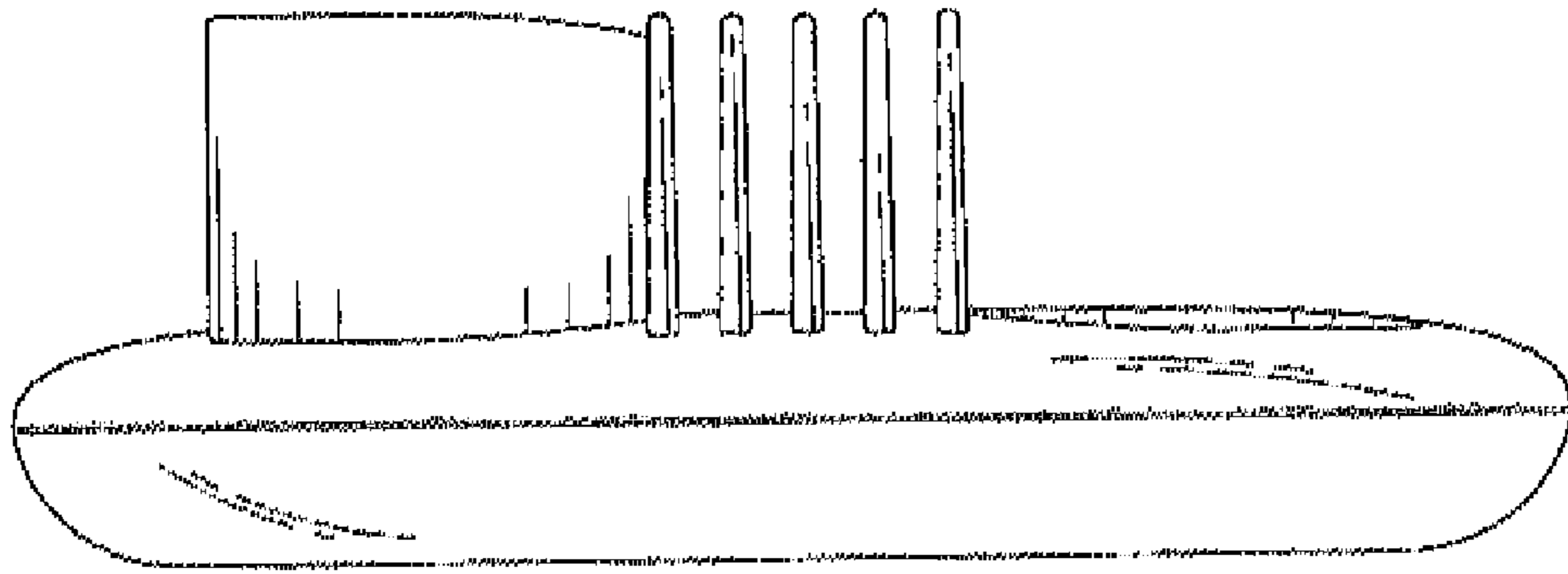


FIG. 2

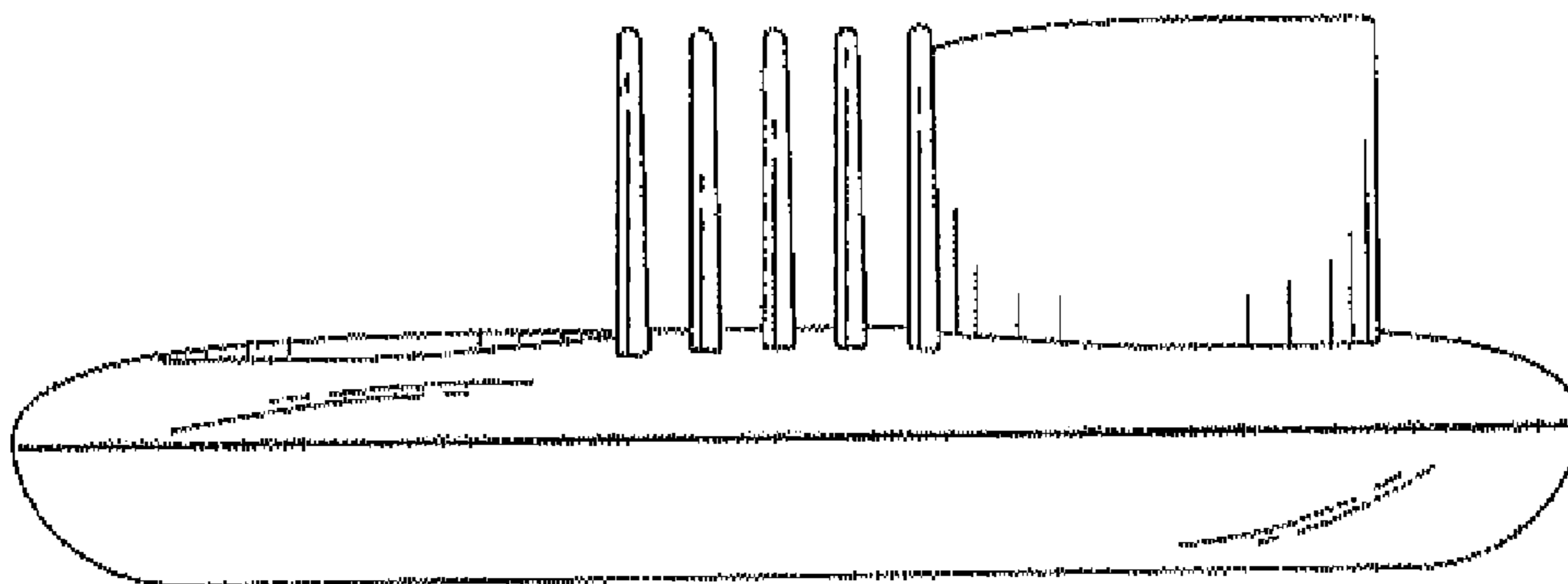


FIG. 3



FIG. 4

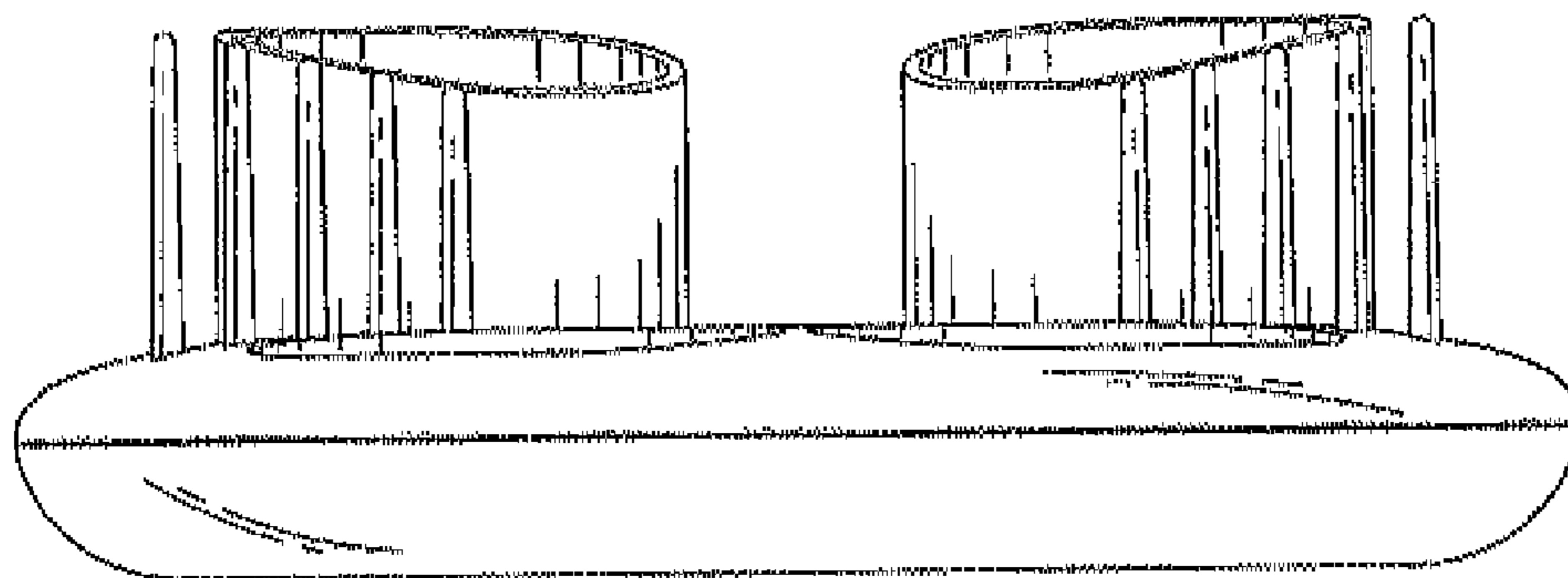


FIG. 5

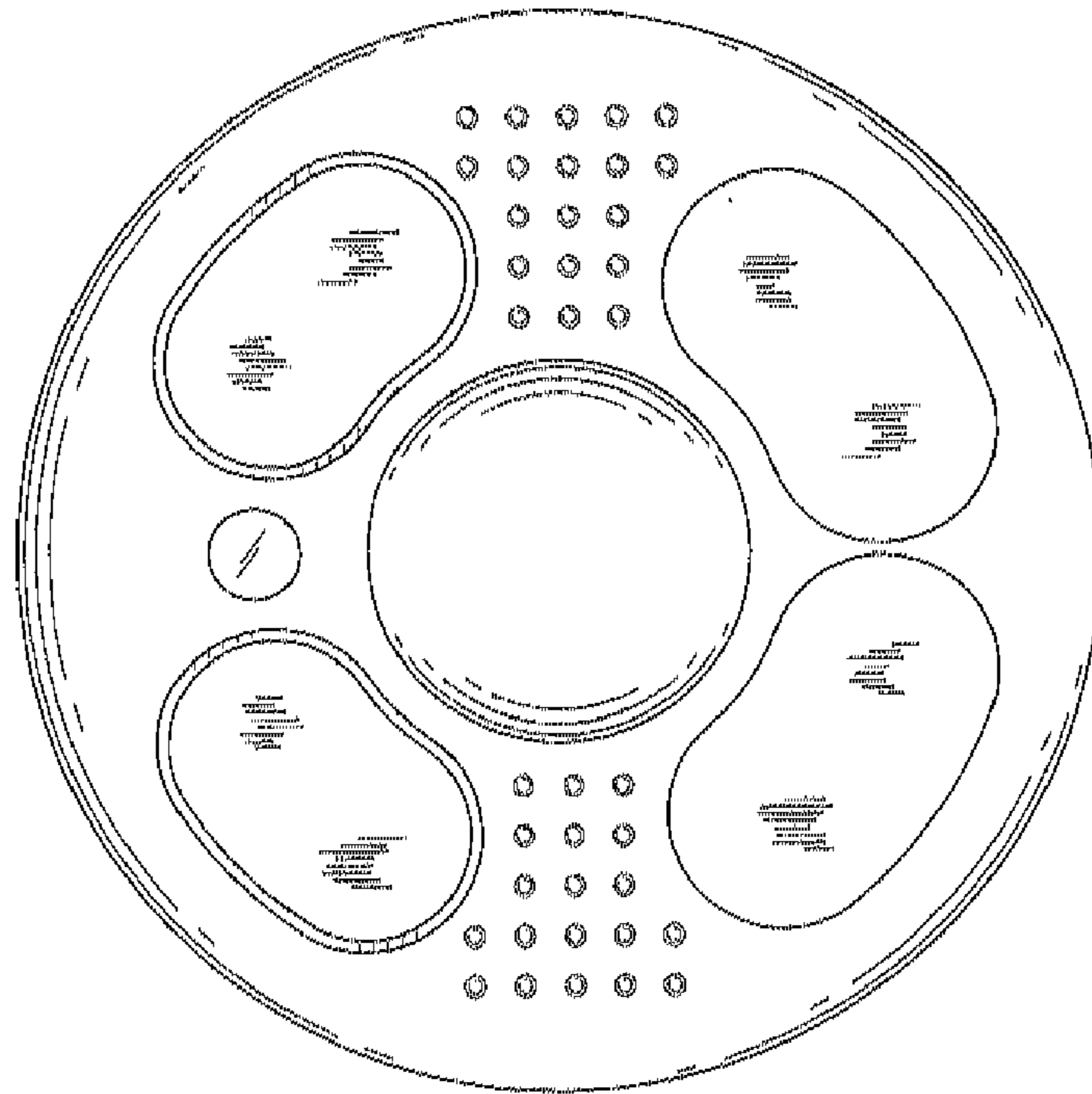


FIG. 6

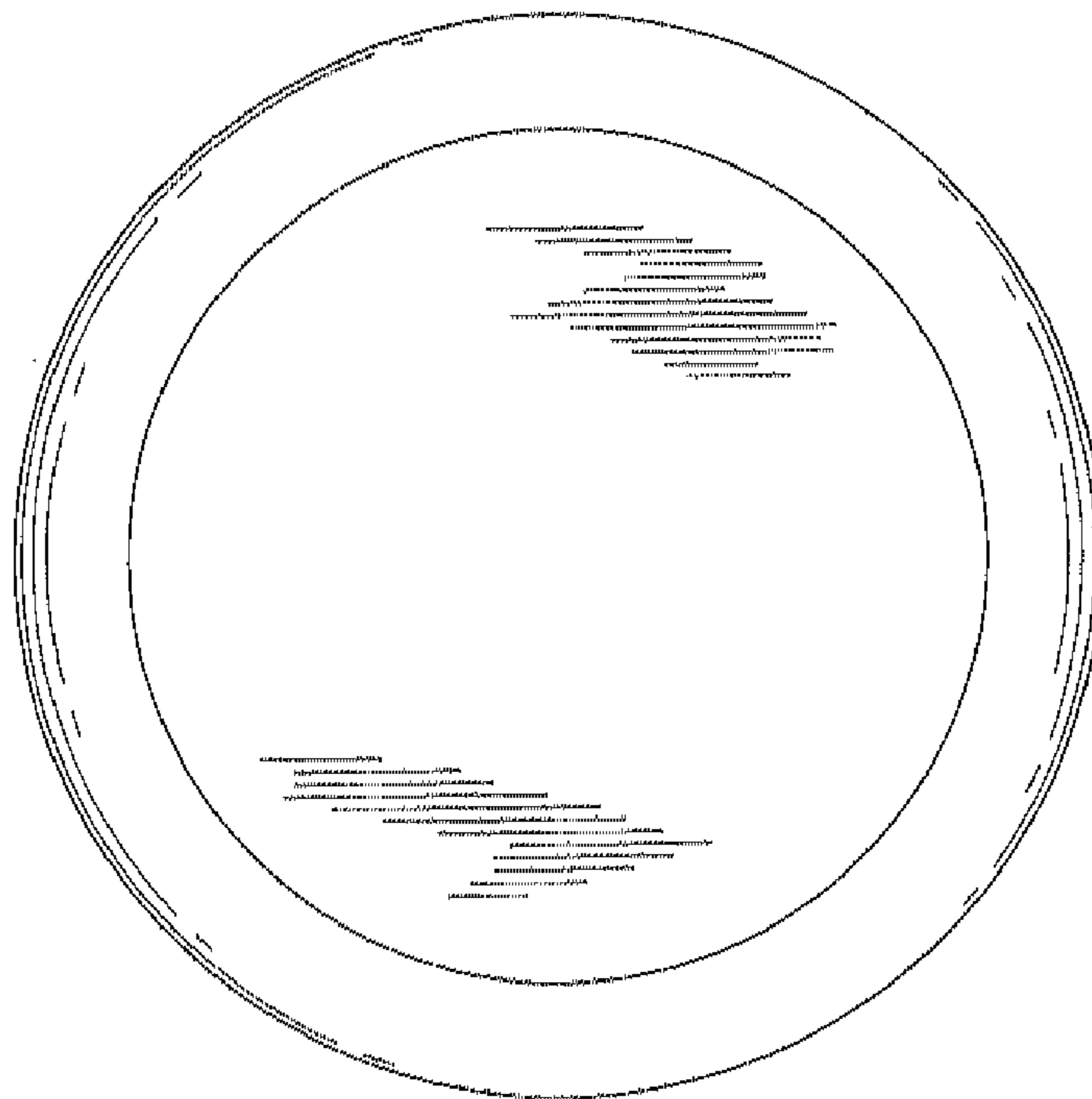


FIG. 7