



US00D666764S

(12) **United States Design Patent**  
**Gilad**

(10) **Patent No.:** **US D666,764 S**

(45) **Date of Patent:** **\*\* Sep. 4, 2012**

(54) **WALL LAMP**

(75) Inventor: **Ron Gilad**, Brescia (IT)

(73) Assignee: **Flos, S.p.A.**, Brescia (IT)

(\*\*) Term: **14 Years**

(21) Appl. No.: **29/402,755**

(22) Filed: **Sep. 27, 2011**

(30) **Foreign Application Priority Data**

Mar. 29, 2011 (IT) ..... BS2011O0011

(51) **LOC (9) Cl.** ..... **26-03**

(52) **U.S. Cl.** ..... **D26/87; D26/79**

(58) **Field of Classification Search** ..... D26/79,  
D26/80, 85, 86, 87, 89, 92, 128, 138, 141,  
D26/155; 362/147, 404-408, 431, 432  
See application file for complete search history.

(56) **References Cited**

**U.S. PATENT DOCUMENTS**

D152,889	S	*	3/1949	Kuhler	.....	D26/85
2,503,931	A	*	4/1950	Young	.....	362/216
D197,206	S	*	12/1963	Hammer	.....	D20/29
D231,679	S	*	5/1974	Keller	.....	D26/87
D239,858	S	*	5/1976	Scarpa	.....	D26/87
D288,136	S	*	2/1987	Pfister	.....	D26/87
D309,955	S	*	8/1990	Gismondi	.....	D26/87
D402,389	S	*	12/1998	Norman et al.	.....	D26/87

D487,528	S	*	3/2004	Christensen et al.	.....	D26/79
D580,580	S	*	11/2008	Lodhie	.....	D26/67
D637,337	S	*	5/2011	Sole'	.....	D26/85
D642,727	S	*	8/2011	van den Akker	.....	D26/85
D646,423	S	*	10/2011	Chiu	.....	D26/85

\* cited by examiner

*Primary Examiner* — Clare E Heflin

(74) *Attorney, Agent, or Firm* — Harness, Dickey & Pierce, PLC

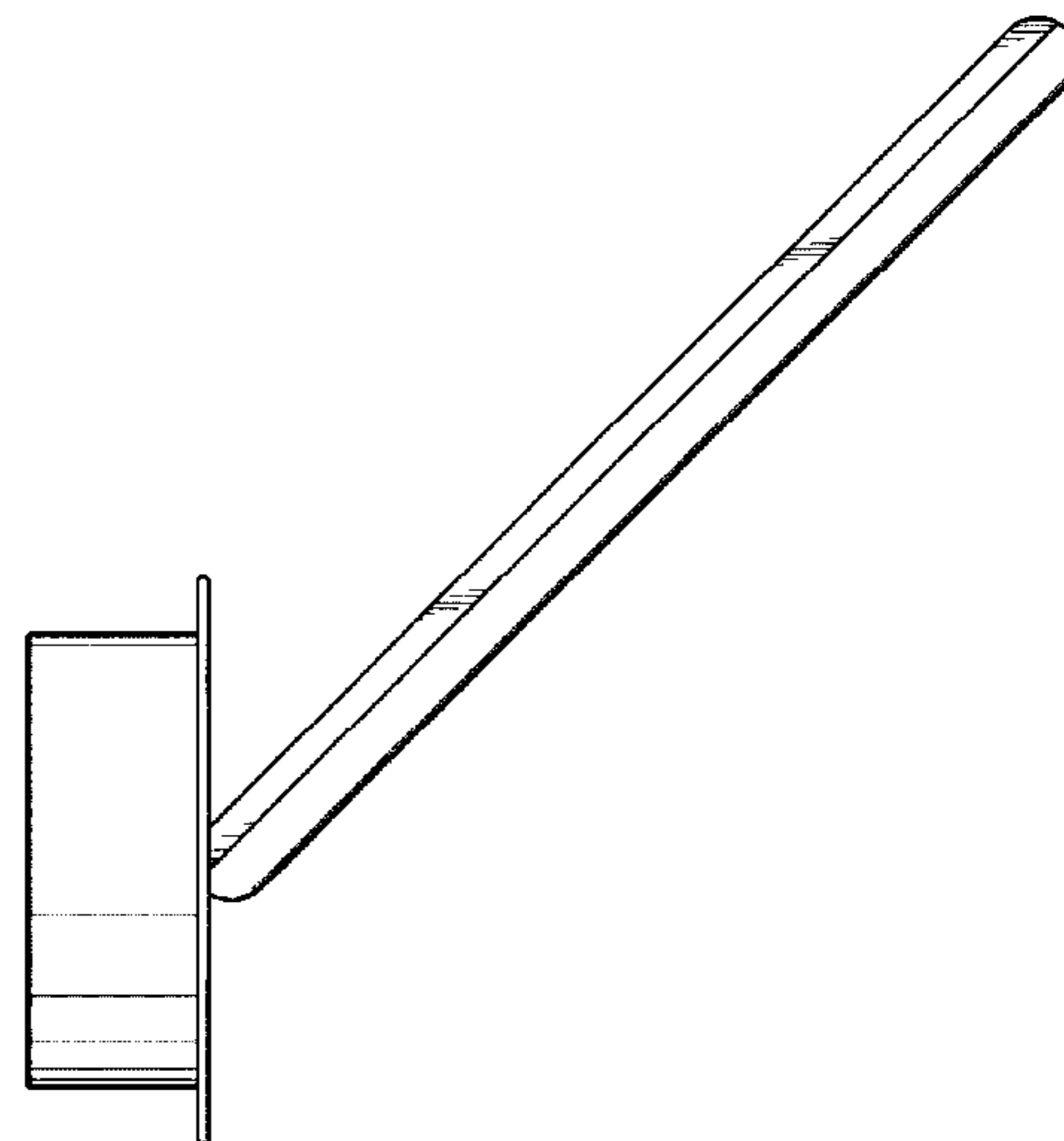
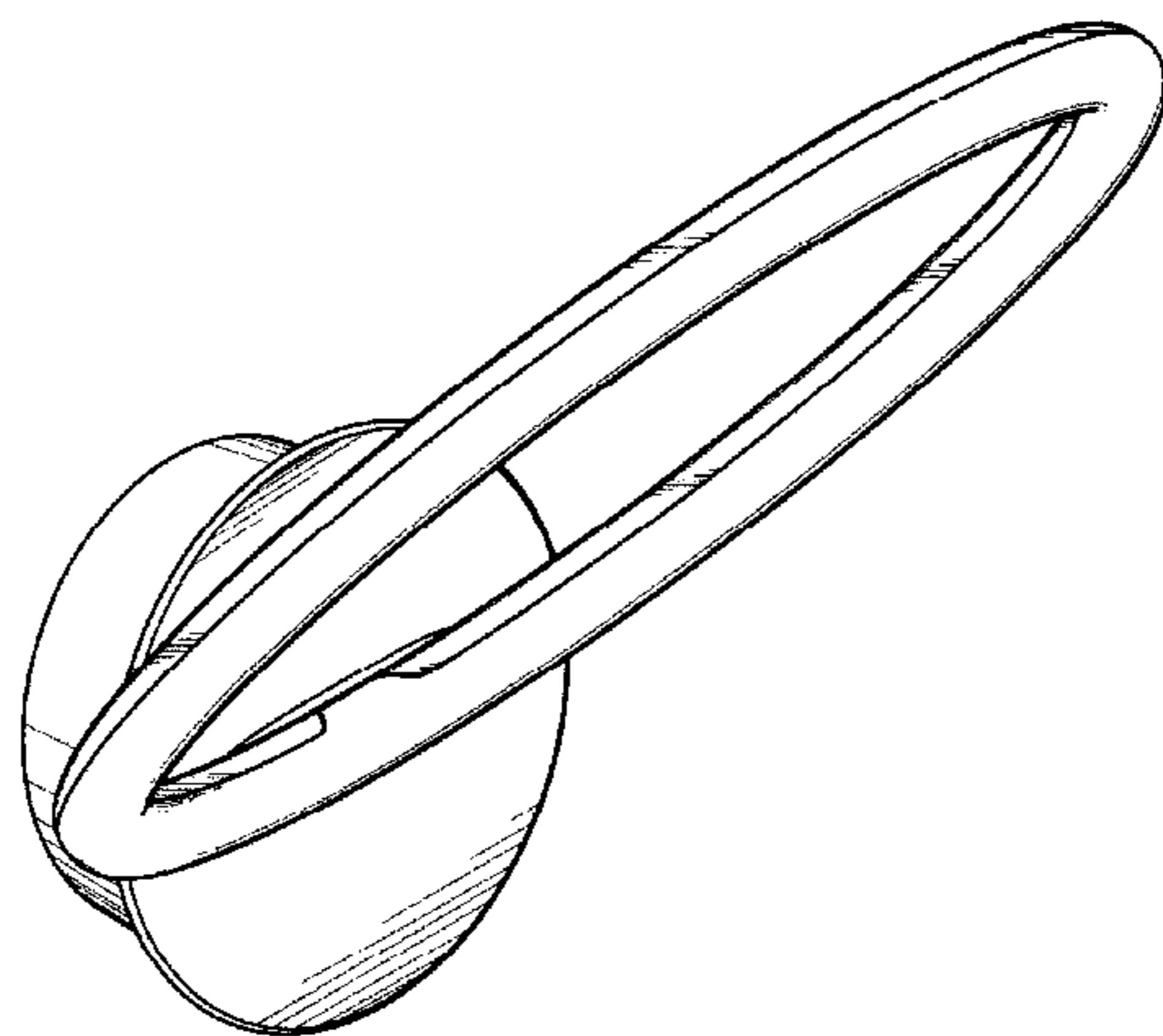
(57) **CLAIM**

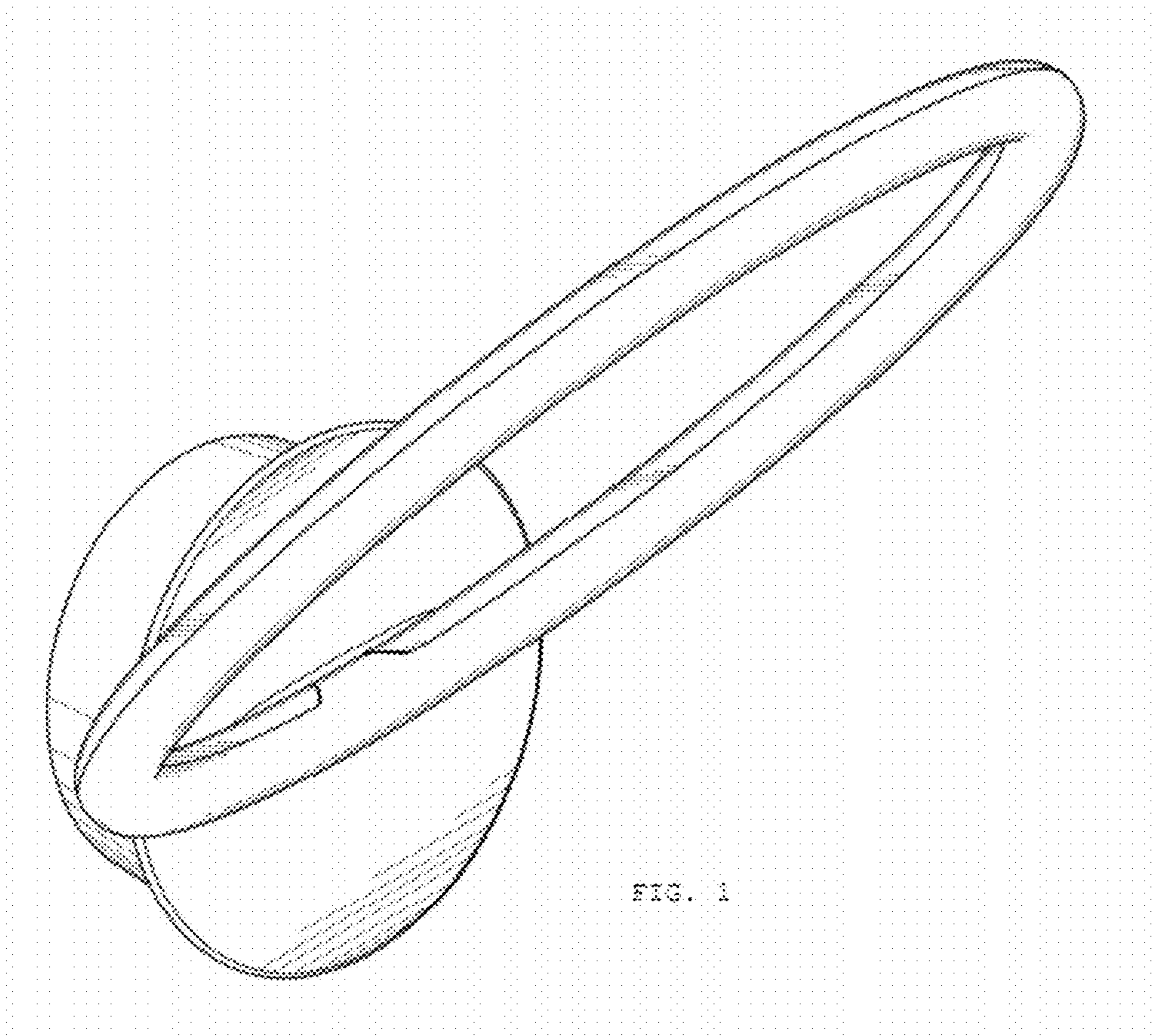
The ornamental design for a wall lamp, as shown and described.

**DESCRIPTION**

FIG. 1 is a side perspective view of the new design for a wall lamp;  
 FIG. 2 is a left side elevational view of the wall lamp shown in FIG. 1;  
 FIG. 3 is a right side elevational view of the wall lamp shown in FIG. 1;  
 FIG. 4 is a front elevational view of the wall lamp shown in FIG. 1;  
 FIG. 5 is a rear elevational view of the wall lamp shown in FIG. 1;  
 FIG. 6 is a top plan view of the wall lamp shown in FIG. 1;  
 and,  
 FIG. 7 is a bottom plan view of the wall lamp shown in FIG. 1.

**1 Claim, 7 Drawing Sheets**





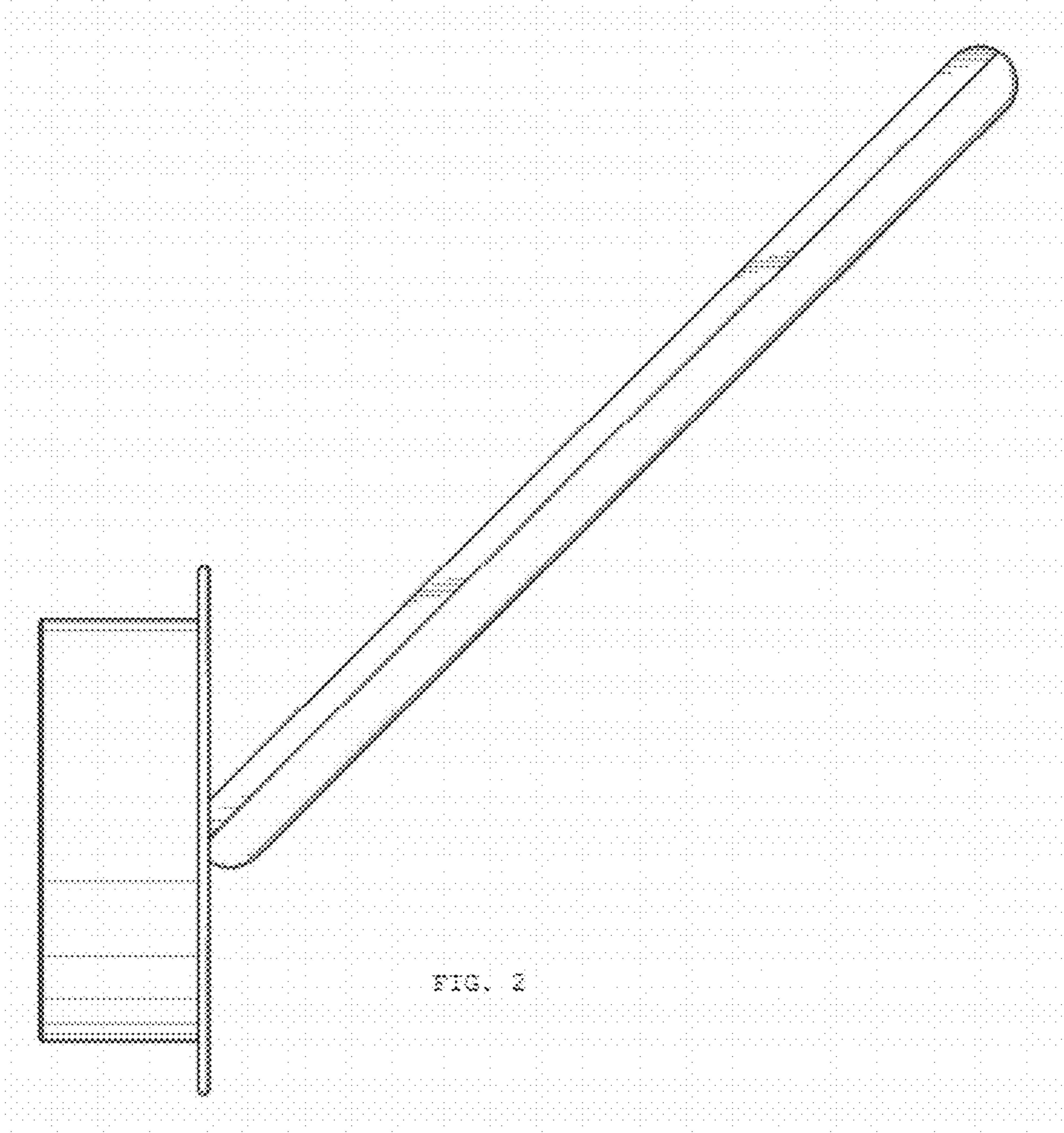


FIG. 2

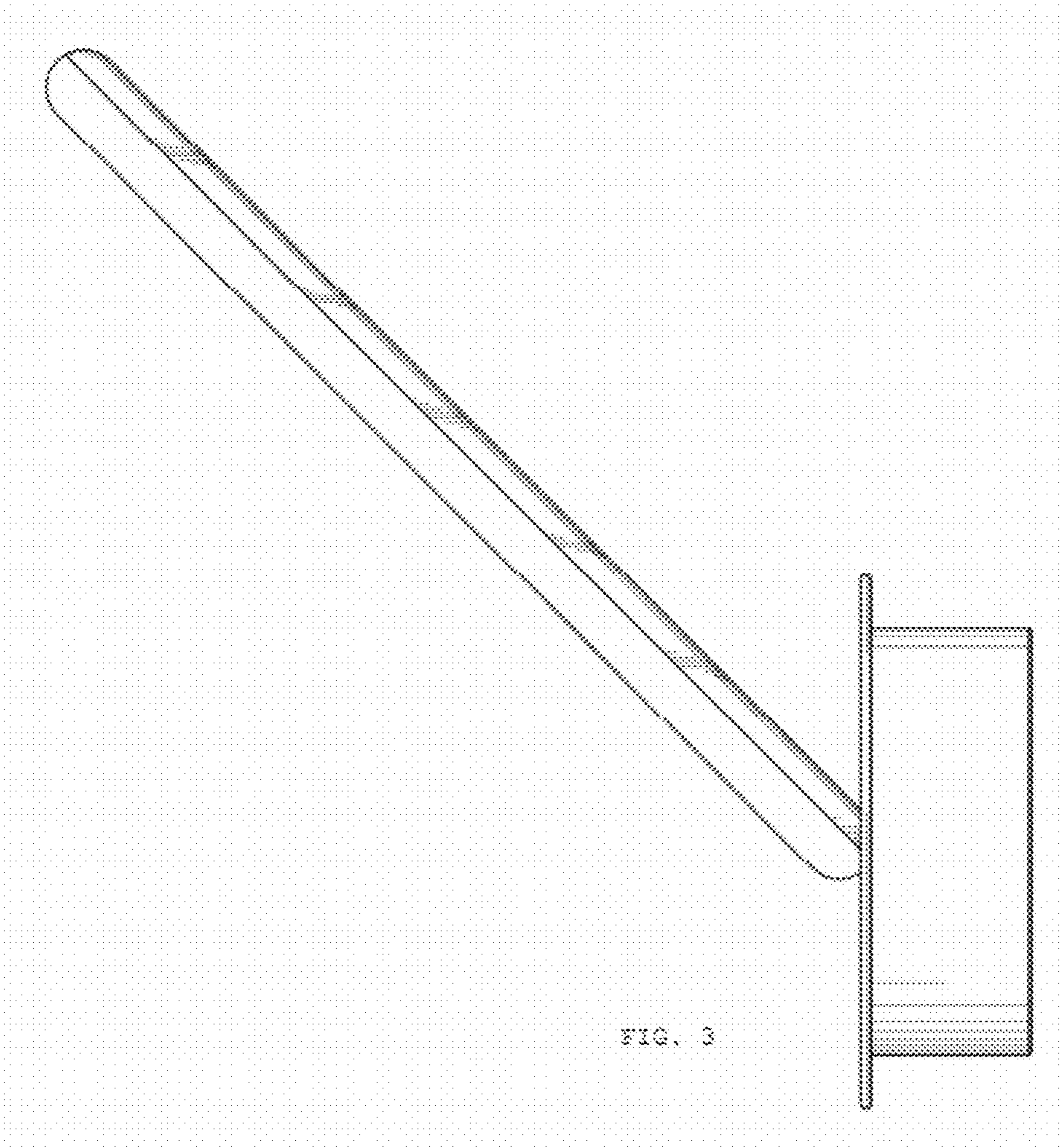


FIG. 3

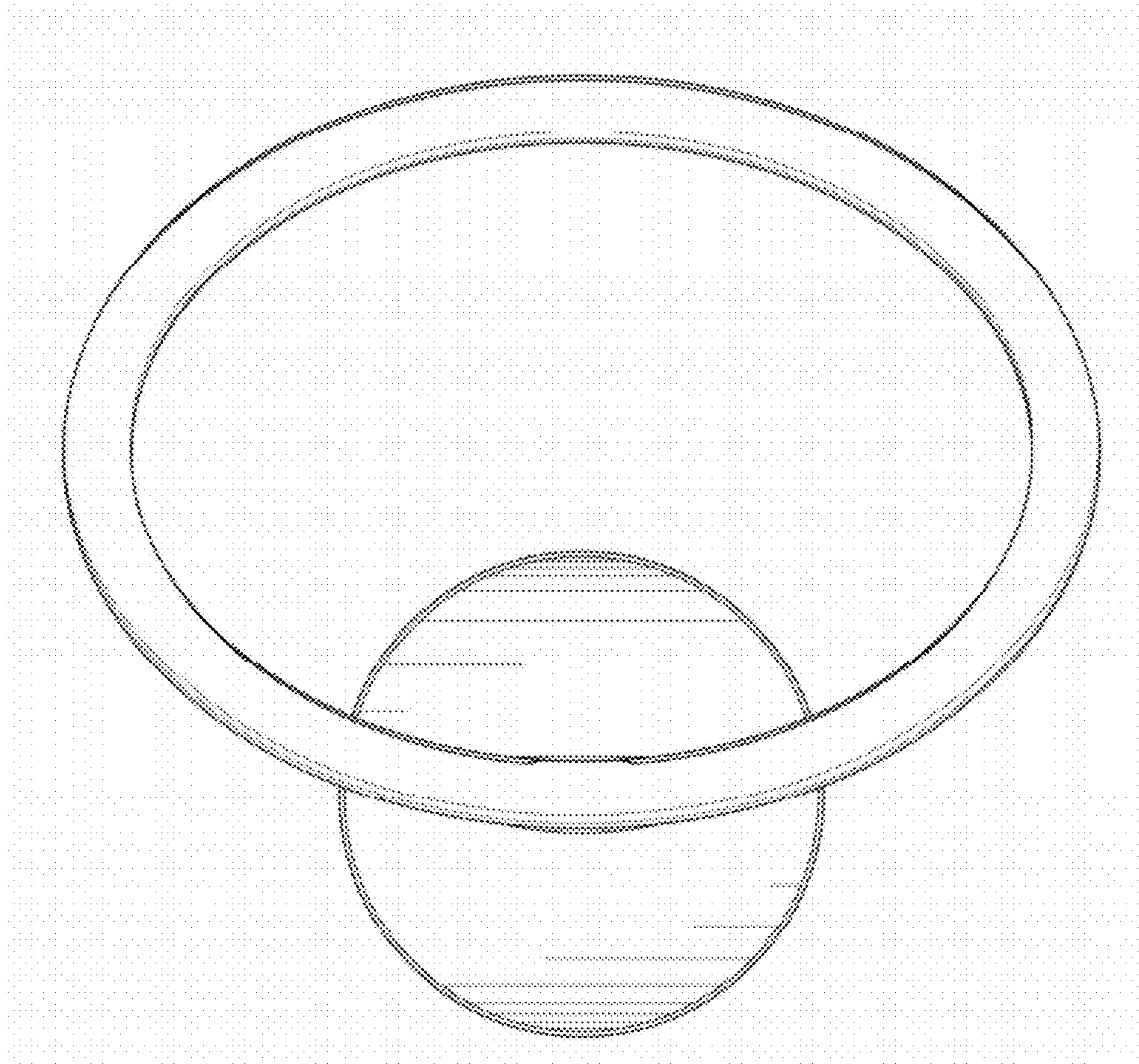


FIG. 4

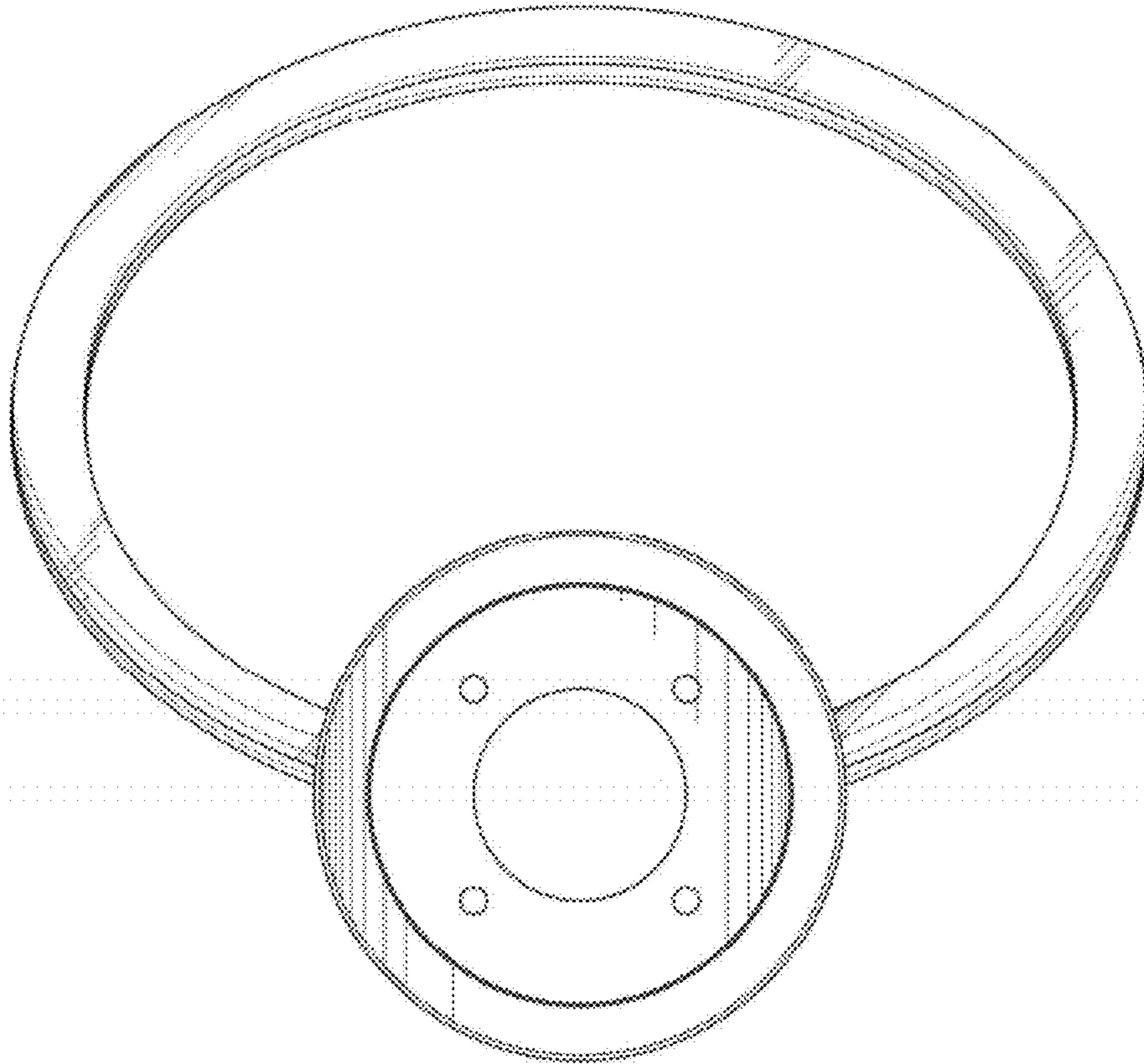


FIG. 5

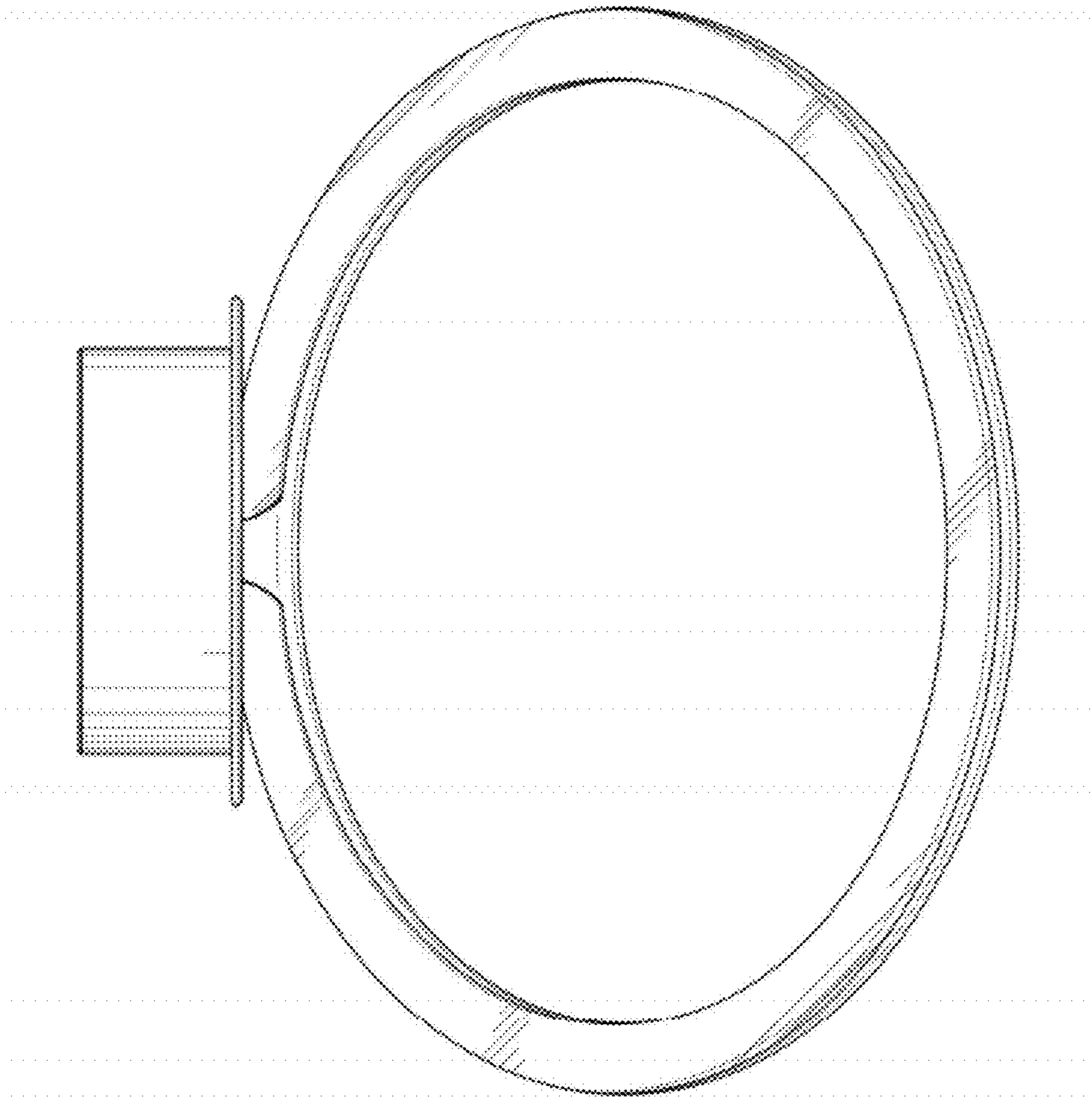


FIG. 6

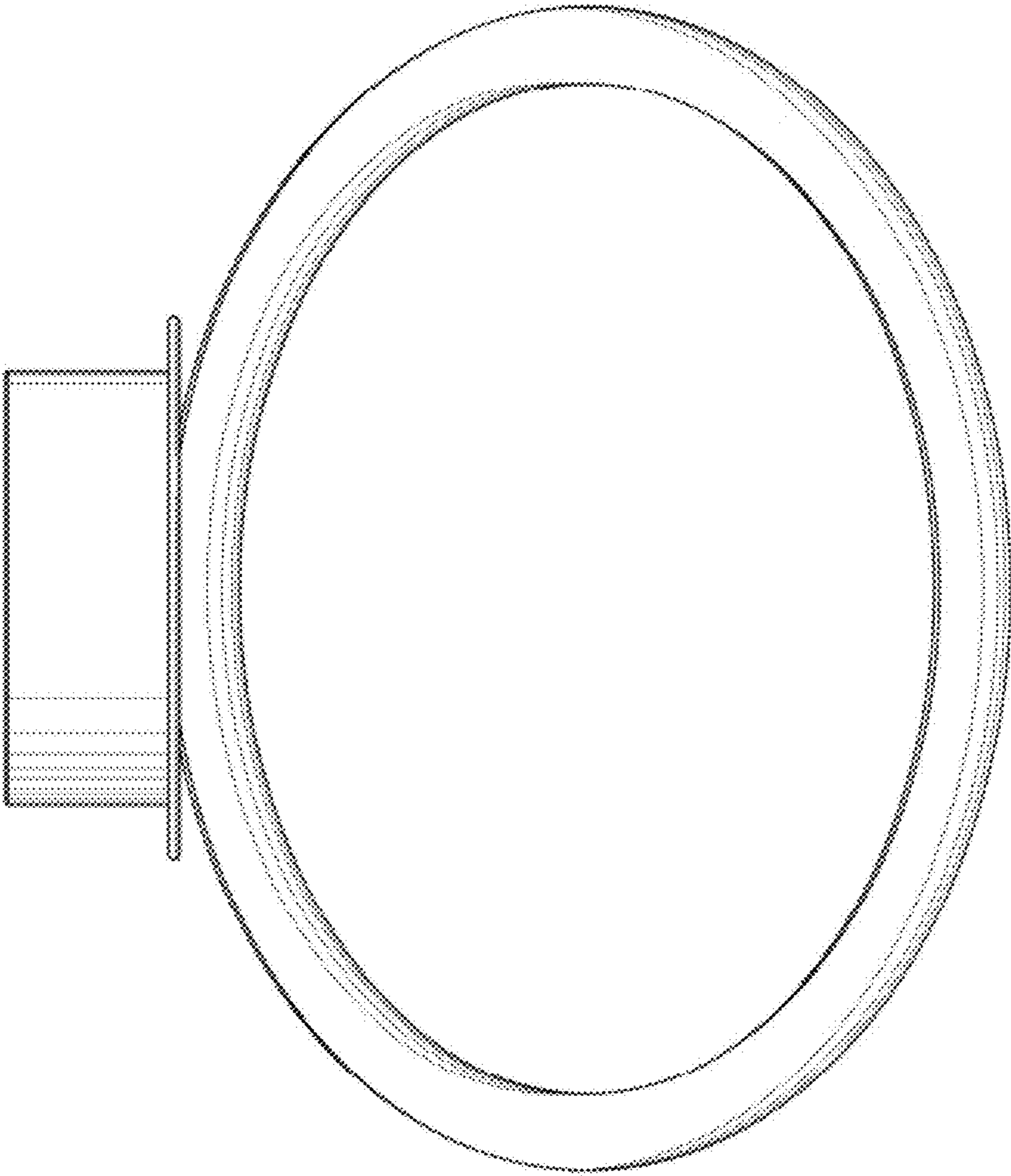


FIG. 7