

US00D666763S

(12) **United States Design Patent**
Gilad

(10) **Patent No.:** **US D666,763 S**

(45) **Date of Patent:** **** Sep. 4, 2012**

(54) **WALL LAMP**

(75) Inventor: **Ron Gilad**, Brescia (IT)

(73) Assignee: **Flos, S.p.A.**, Brescia (IT)

(**) Term: **14 Years**

(21) Appl. No.: **29/402,754**

(22) Filed: **Sep. 27, 2011**

(30) **Foreign Application Priority Data**

Mar. 29, 2011 (IT) BS2011O0011

(51) **LOC (9) Cl.** **26-03**

(52) **U.S. Cl.** **D26/87**

(58) **Field of Classification Search** D26/80,
D26/85, 86, 87, 89, 92, 128, 138, 141, 155;
362/147, 404-408, 431, 432

See application file for complete search history.

(56) **References Cited**

U.S. PATENT DOCUMENTS

D232,966 S *	9/1974	Shemitz	D26/87
D280,345 S *	8/1985	Paget	D26/3
D302,048 S *	7/1989	Dolfi	D26/128
D340,780 S *	10/1993	Porter	D26/80
D442,317 S *	5/2001	Crosby	D26/87
D495,082 S *	8/2004	Marchand	D26/65
D573,751 S *	7/2008	Citterio	D26/87

D581,571 S *	11/2008	Levine	D26/63
D590,977 S *	4/2009	Mullen	D26/62
D592,341 S *	5/2009	Fan	D26/63
D643,563 S *	8/2011	Gilad	D26/87
D643,564 S *	8/2011	Gilad	D26/87
D643,565 S *	8/2011	Gilad	D26/87

* cited by examiner

Primary Examiner — Clare E Heflin

(74) *Attorney, Agent, or Firm* — Harness, Dickey & Pierce, PLC

(57) **CLAIM**

The ornamental design for a wall lamp, as shown and described.

DESCRIPTION

FIG. 1 is a front perspective view of the new design for a wall lamp;

FIG. 2 is a left side elevational view of the wall lamp shown in FIG. 1;

FIG. 3 is a right side elevational view of the wall lamp shown in FIG. 1;

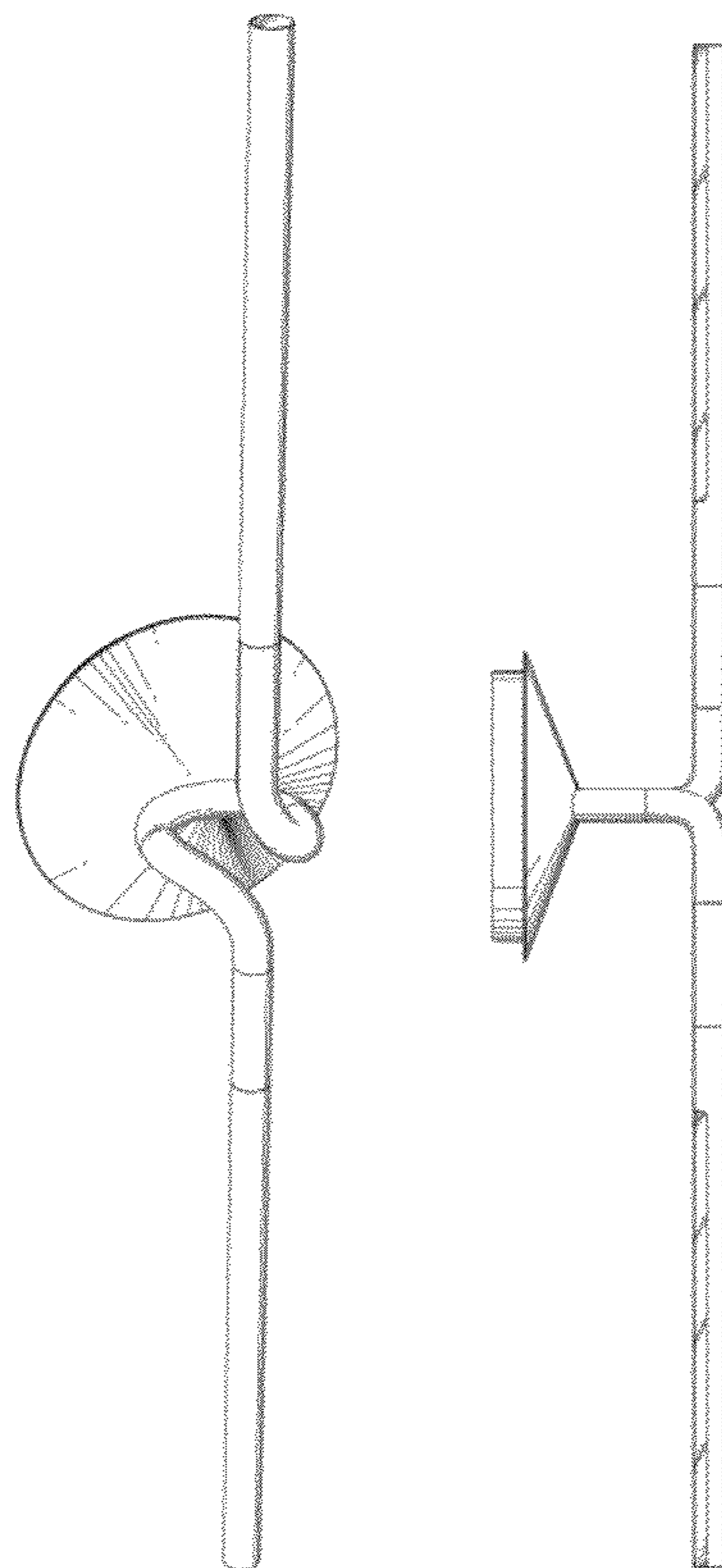
FIG. 4 is a front elevational view of the wall lamp shown in FIG. 1;

FIG. 5 is a rear elevational view of the wall lamp shown in FIG. 1;

FIG. 6 is a top plan view of the wall lamp in FIG. 1; and,

FIG. 7 is a bottom plan view of the wall lamp shown in FIG. 1.

1 Claim, 7 Drawing Sheets



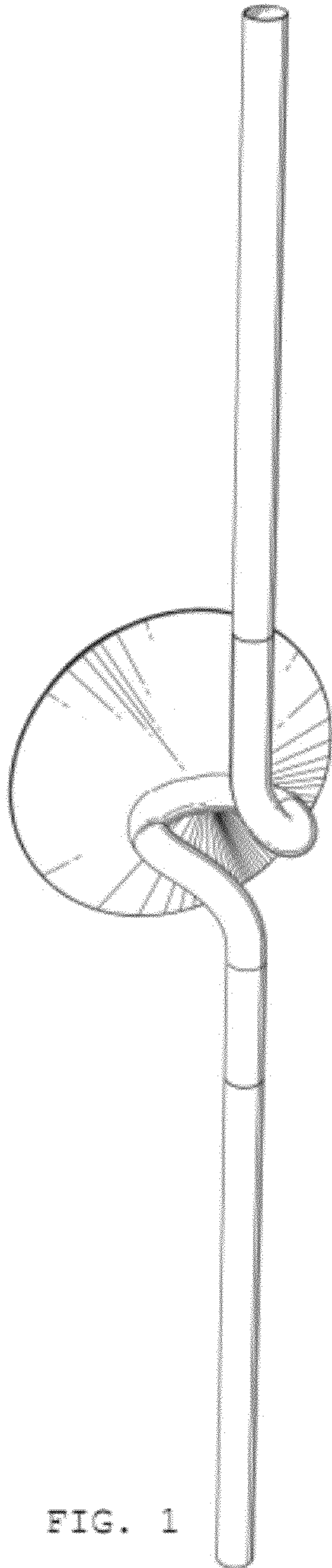


FIG. 1

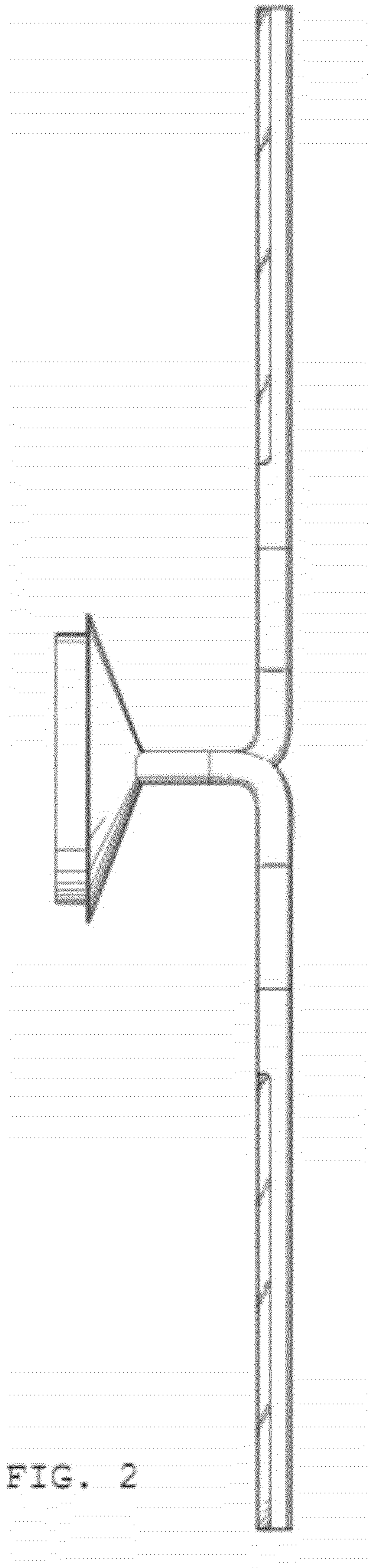


FIG. 2

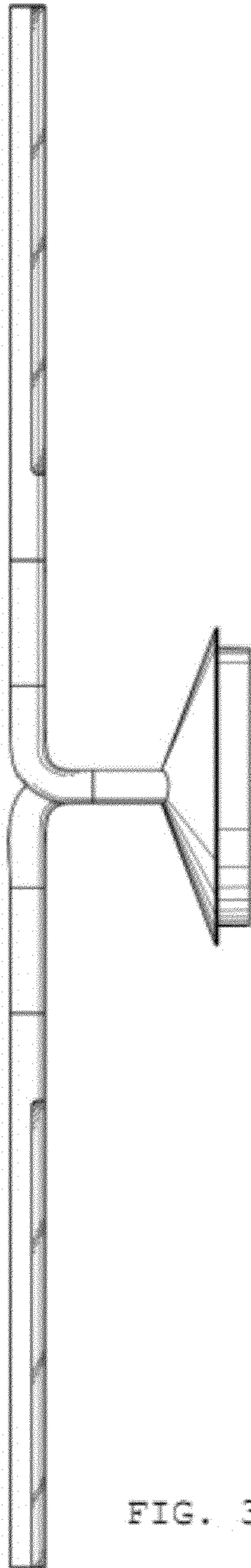


FIG. 3

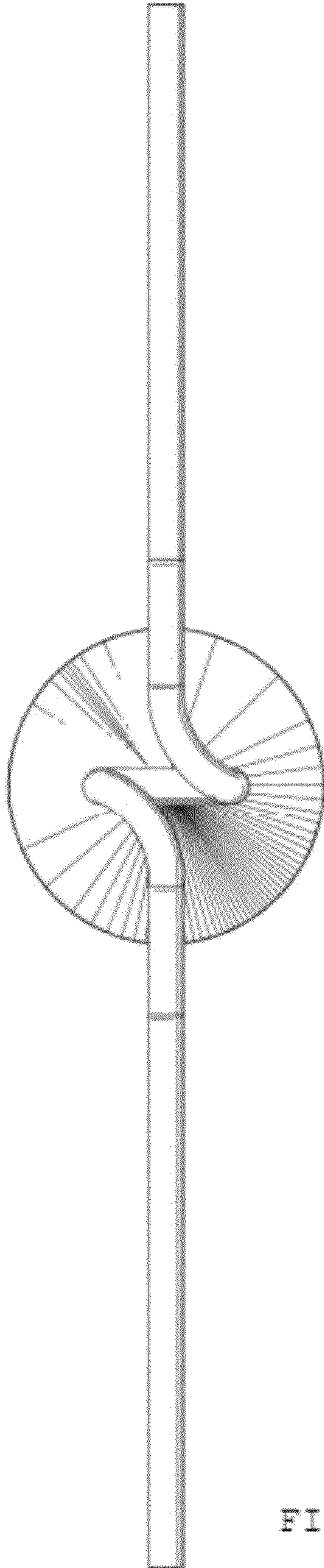


FIG. 4

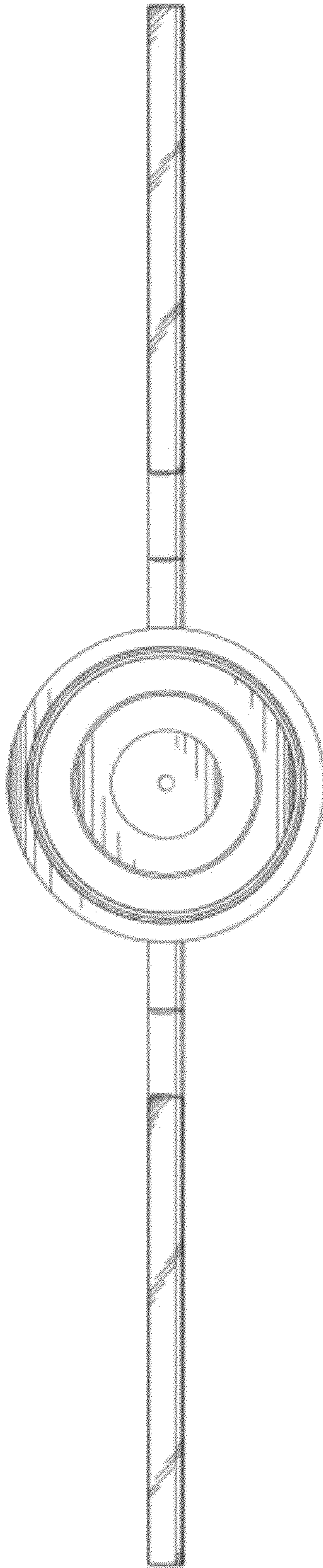


FIG. 5

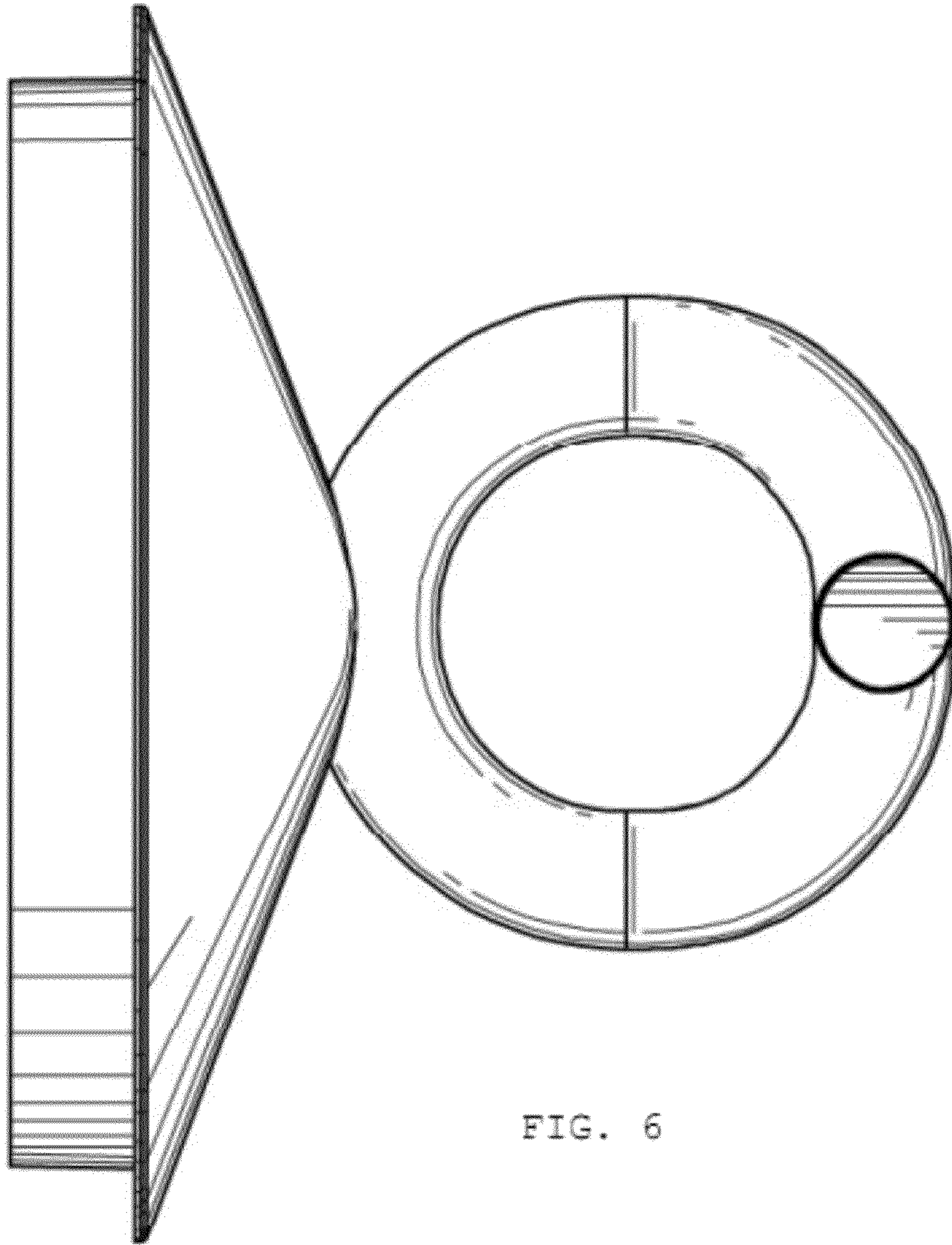


FIG. 6

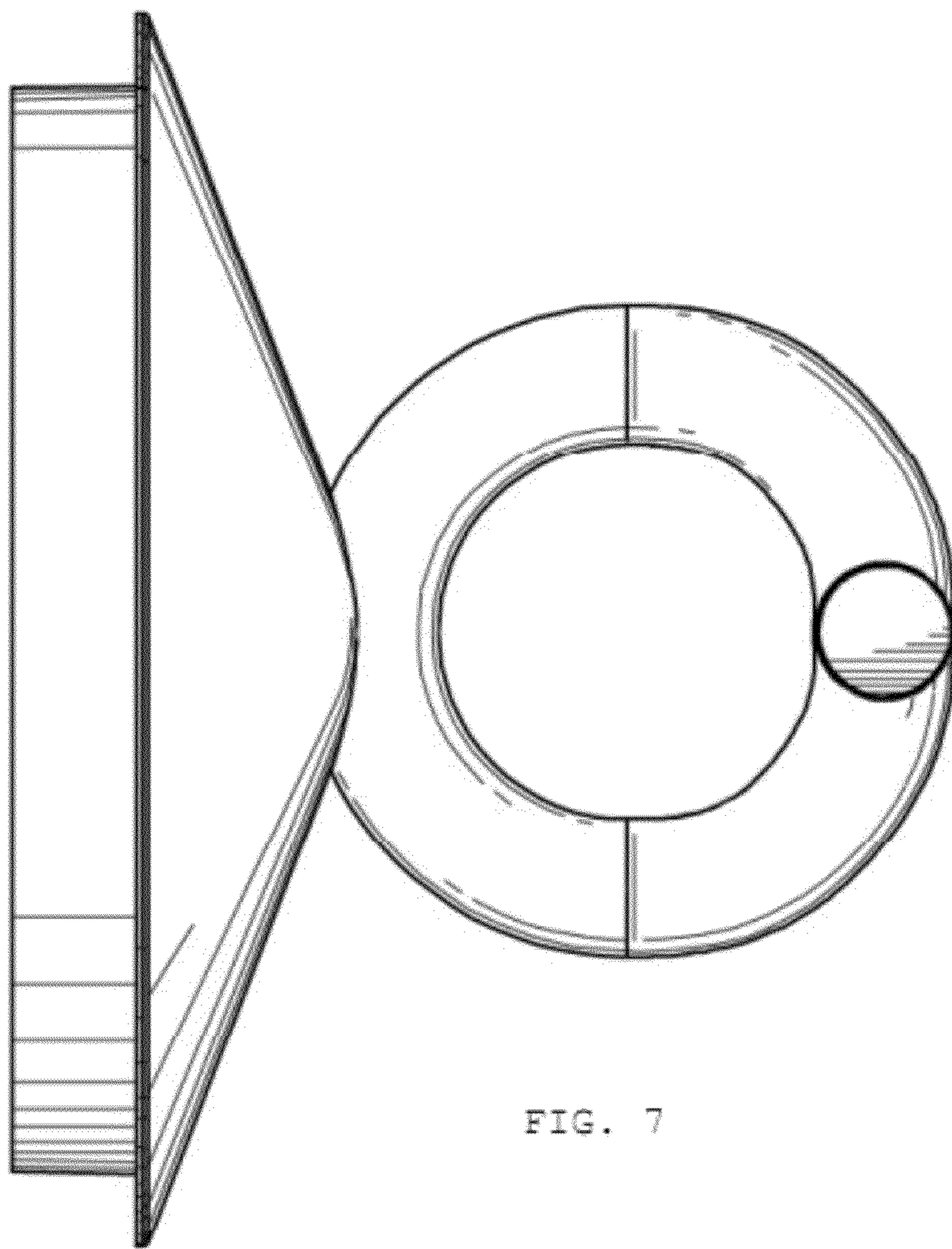


FIG. 7