



US00D666761S

(12) **United States Design Patent**
Citterio

(10) **Patent No.:** **US D666,761 S**

(45) **Date of Patent:** **** Sep. 4, 2012**

(54) **WALL LAMP**

(75) Inventor: **Antonio Citterio**, Brescia (IT)

(73) Assignee: **Flos, S.p.A.**, Brescia (IT)

(**) Term: **14 Years**

(21) Appl. No.: **29/402,746**

(22) Filed: **Sep. 27, 2011**

(30) **Foreign Application Priority Data**

Mar. 28, 2011 (IT) BS2011O0010

(51) **LOC (9) Cl.** **26-03**

(52) **U.S. Cl.** **D26/87**

(58) **Field of Classification Search** D26/62,

D26/80, 85, 86, 87, 89, 92, 128, 138, 141,

D26/155; 362/147, 404-408, 431, 432

See application file for complete search history.

(56) **References Cited**

U.S. PATENT DOCUMENTS

3,277,292	A *	10/1966	Horan	362/430
D232,966	S *	9/1974	Shemitz	D26/87
4,238,816	A *	12/1980	Merlo	362/397
D329,298	S *	9/1992	Huang	D26/62
D330,436	S *	10/1992	Chan	D26/62
D411,853	S *	7/1999	Cieslikowski	D26/62
D425,651	S *	5/2000	Gager et al.	D26/62
D438,659	S *	3/2001	Lornat	D26/62
D566,317	S *	4/2008	Meda et al.	D26/62
D573,751	S *	7/2008	Citterio	D26/87
D590,977	S *	4/2009	Mullen	D26/62
D619,287	S *	7/2010	Liu	D26/62
D643,565	S *	8/2011	Gilad	D26/87

OTHER PUBLICATIONS

“Night Owl” wall lamp from Edge Lighting. Online PDF brochure created Feb. 26, 2009.*

“Micro” wall lamp from Edge Lighting. Online PDF brochure created Feb. 26, 2009.*

* cited by examiner

Primary Examiner — Clare E Heflin

(74) *Attorney, Agent, or Firm* — Harness, Dickey & Pierce, PLC

(57) **CLAIM**

The ornamental design for a wall lamp, as shown and described.

DESCRIPTION

FIG. 1 is a side perspective view of the new design for a wall lamp lighting device;

FIG. 2 is a left side elevational view of the wall lamp lighting device shown in FIG. 1;

FIG. 3 is a right side elevational view of the wall lamp lighting device shown in FIG. 1;

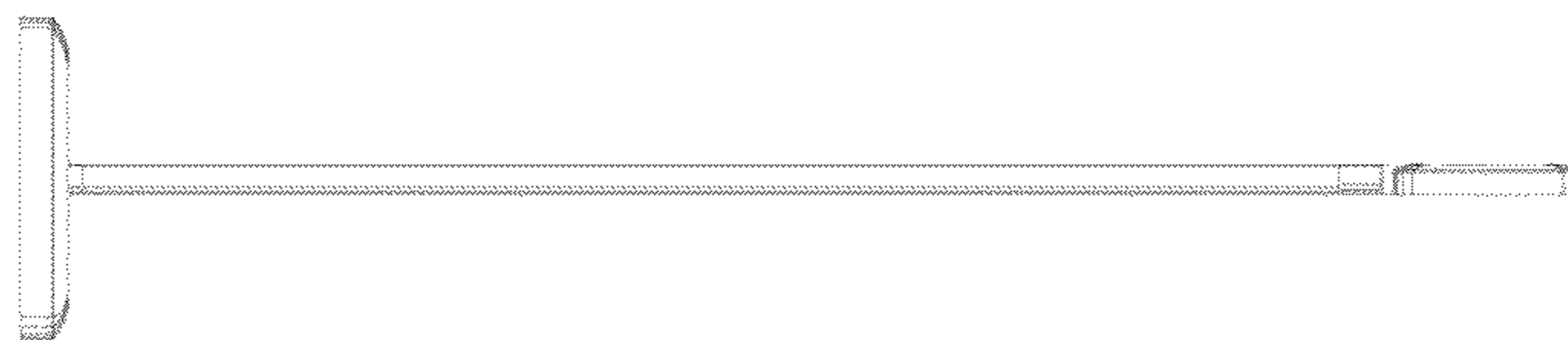
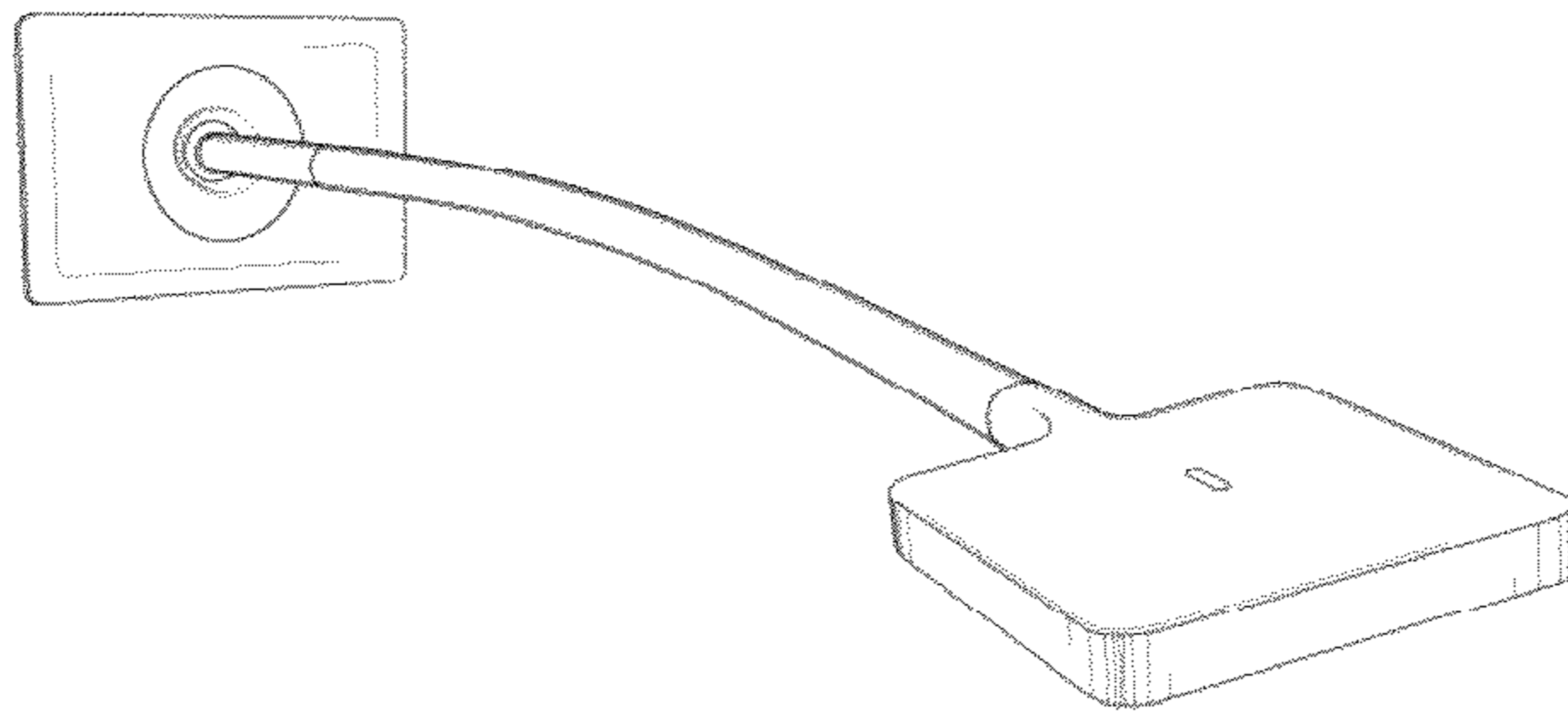
FIG. 4 is a top plan view of the wall lamp lighting device shown in FIG. 1;

FIG. 5 is a bottom plan view of the wall lamp lighting device shown in FIG. 1;

FIG. 6 is a front elevational view of the wall lamp lighting device shown in FIG. 1; and,

FIG. 7 is a rear elevational view of the wall lamp lighting device shown in FIG. 1.

1 Claim, 7 Drawing Sheets



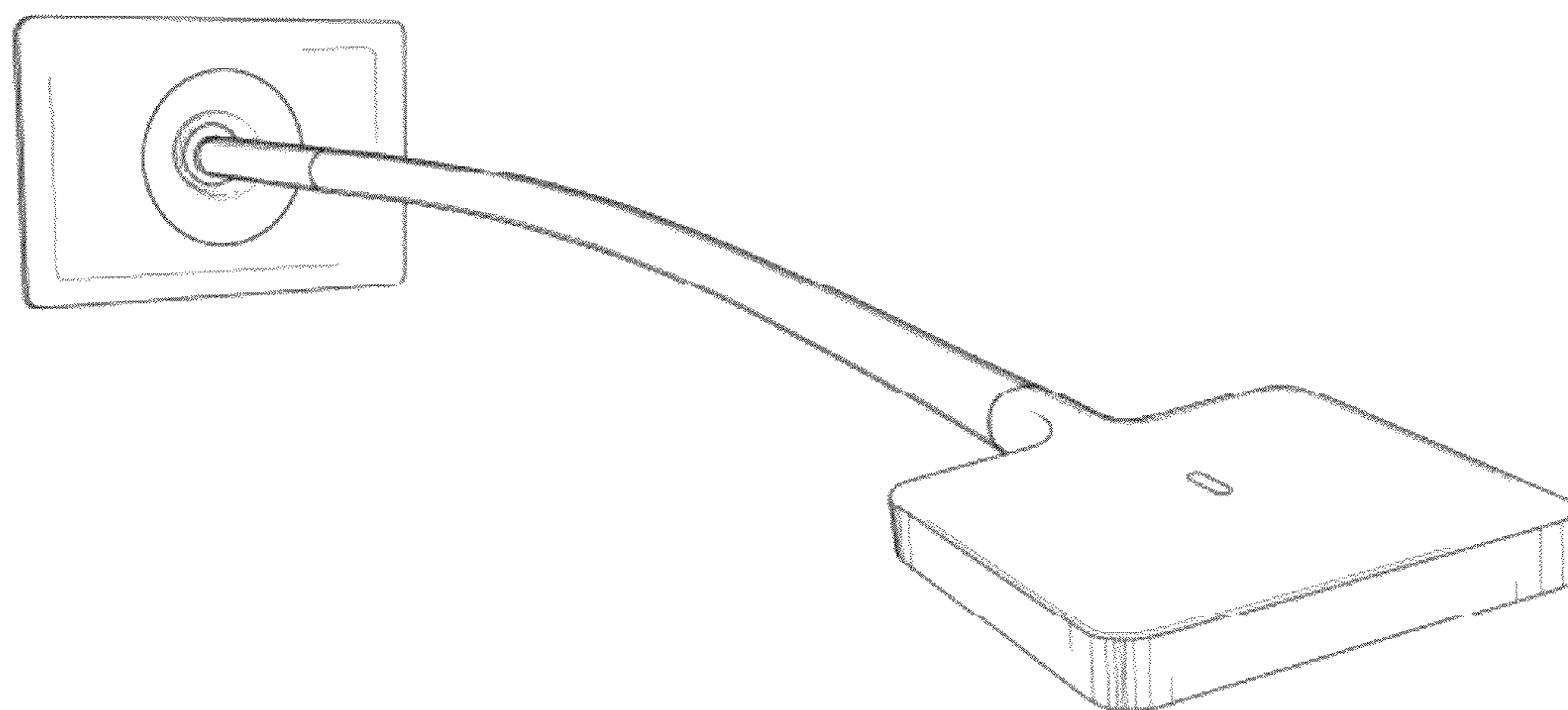


FIG. 1

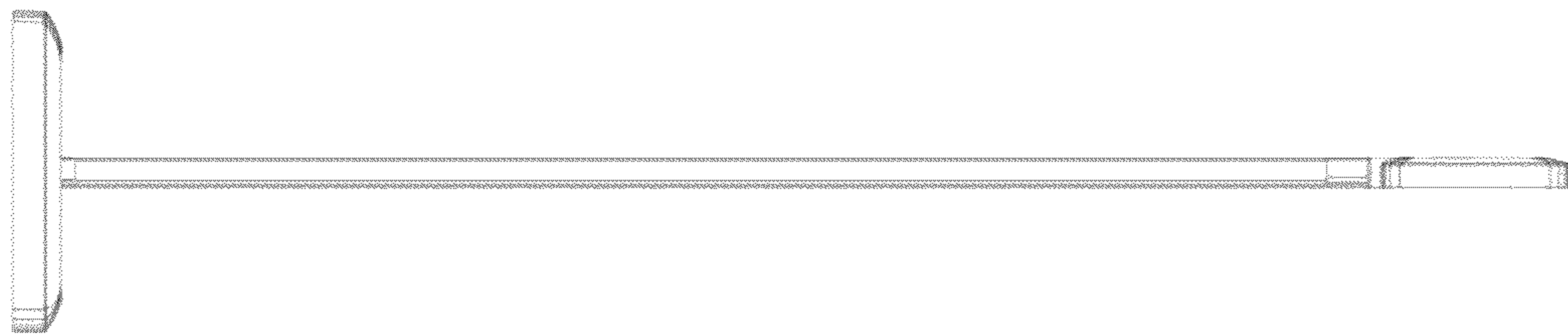


FIG. 2

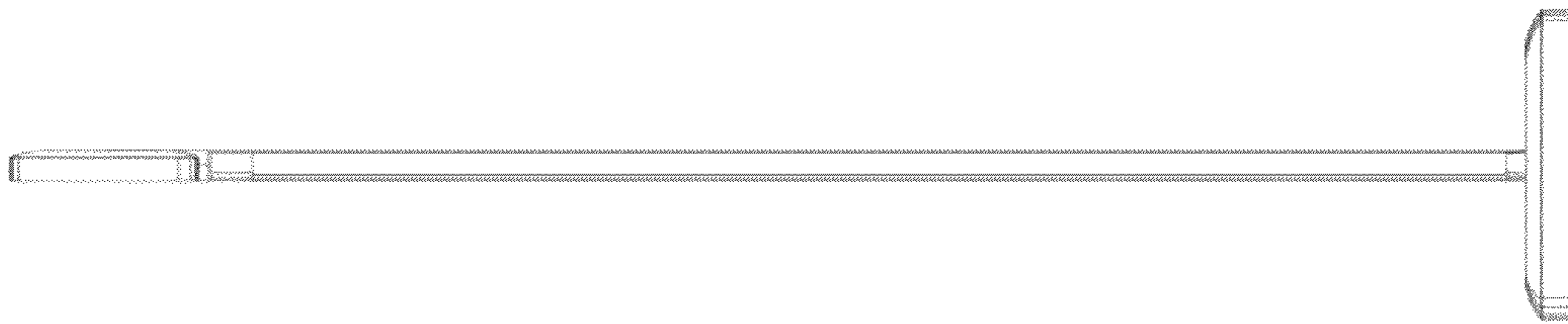


FIG. 3

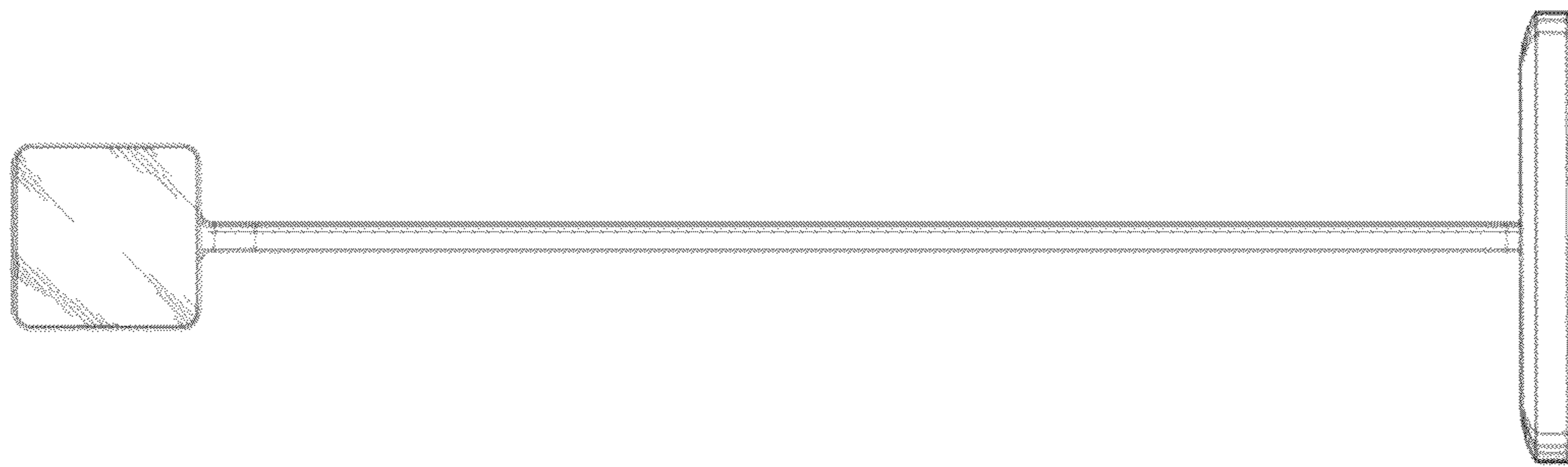


FIG. 4

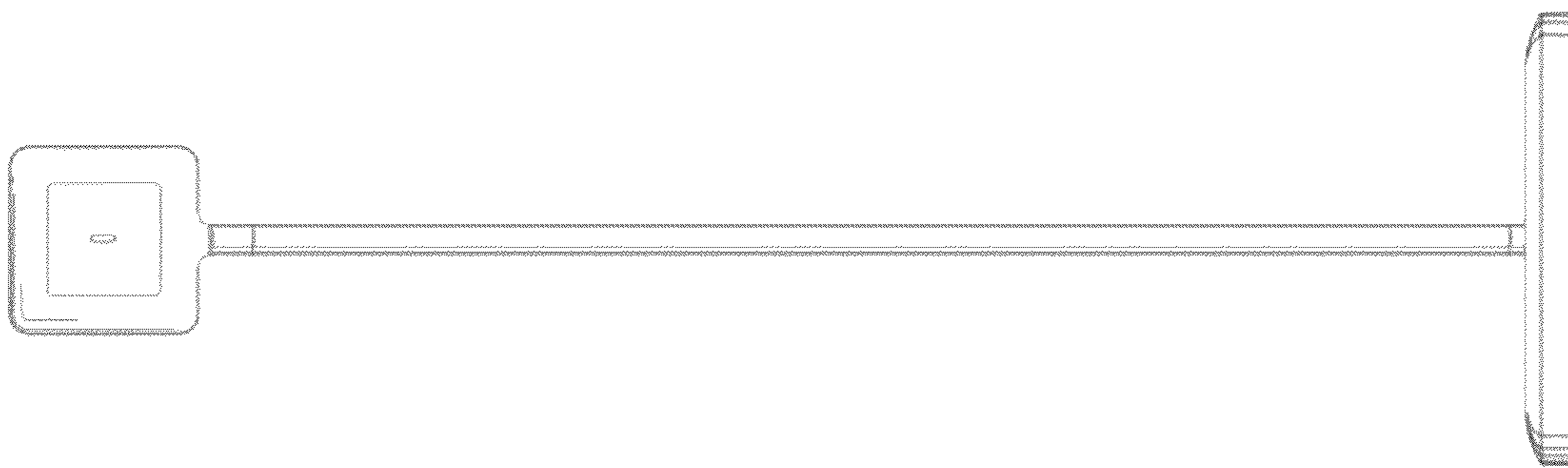


FIG. 5

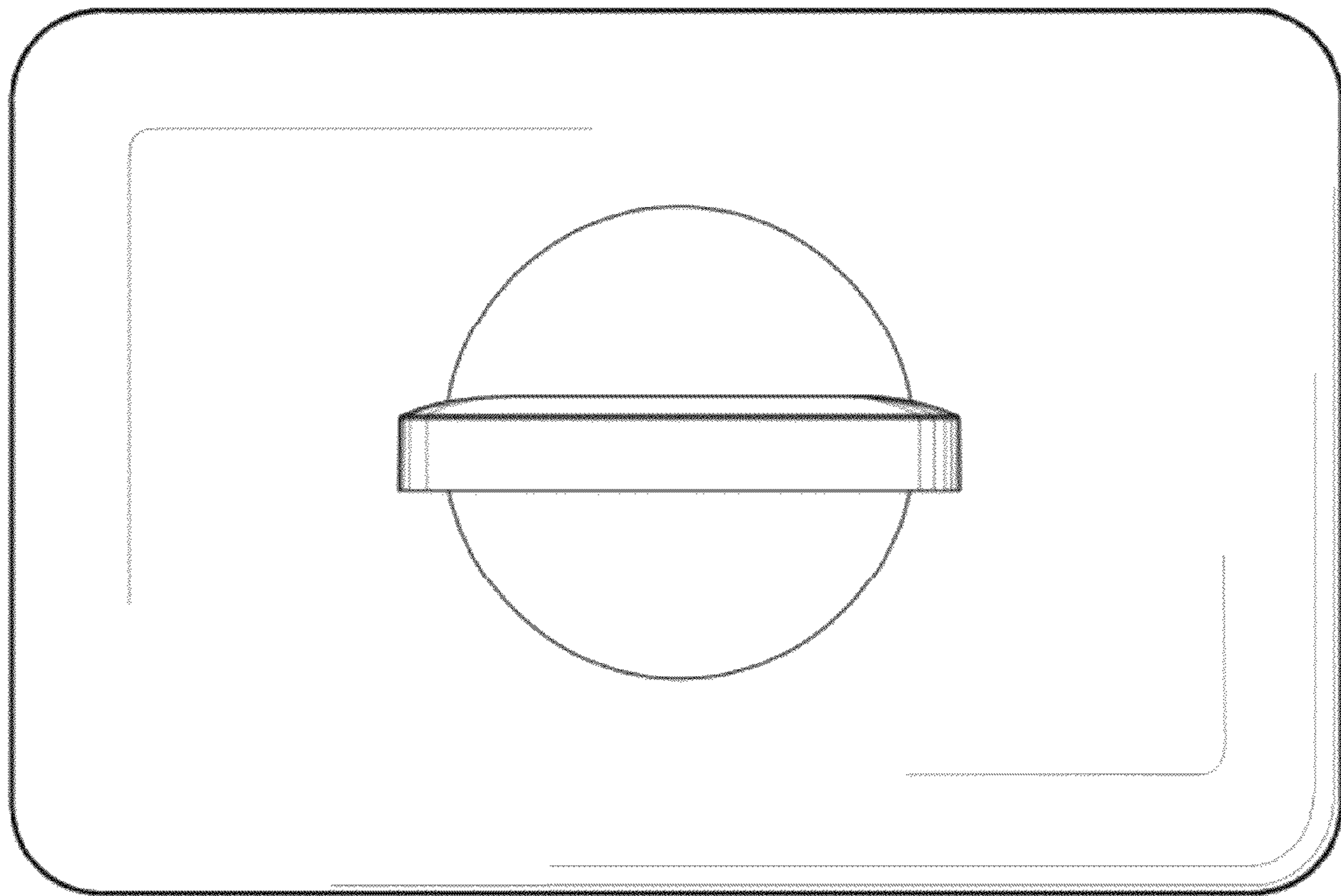


FIG. 6

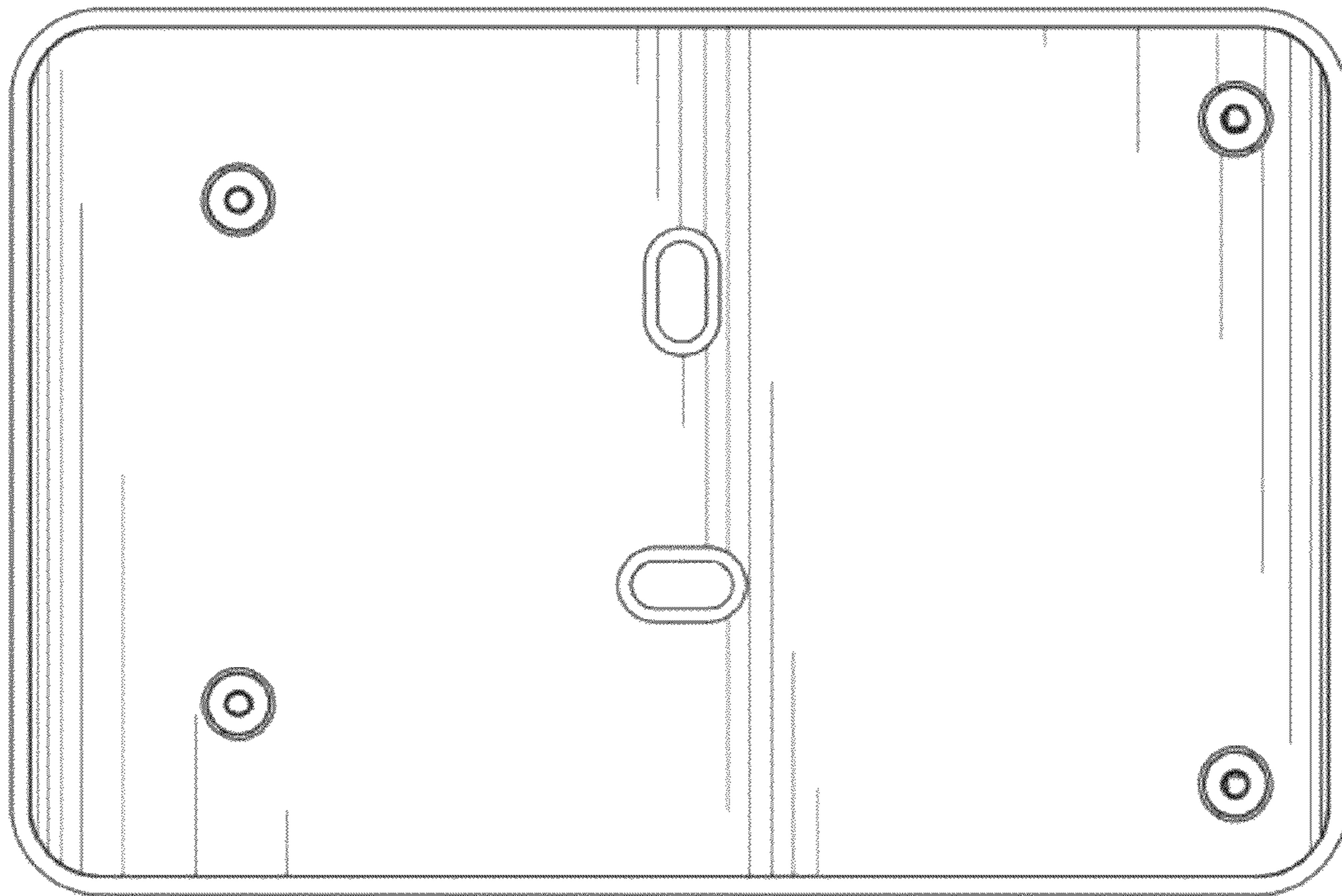


FIG. 7