



US00D666760S

(12) **United States Design Patent**  
**Arola Ferrer**

(10) **Patent No.:** **US D666,760 S**  
(45) **Date of Patent:** **\*\* Sep. 4, 2012**

(54) **LAMP**

(75) Inventor: **Antoni Arola Ferrer**, Barcelona (ES)

(73) Assignee: **Santa & Cole Neoseries S.L.**, Barcelona (ES)

(\*\*) Term: **14 Years**

(21) Appl. No.: **29/371,376**

(22) Filed: **Jan. 24, 2011**

(30) **Foreign Application Priority Data**

Jul. 24, 2010 (EM) ..... 001735762-0003

(51) **LOC (9) Cl.** ..... **26-03**

(52) **U.S. Cl.** ..... **D26/84; D26/90**

(58) **Field of Classification Search** ..... D26/80-92,  
D26/144, 128; 362/147, 404-408  
See application file for complete search history.

(56) **References Cited**

**U.S. PATENT DOCUMENTS**

D169,972 S	7/1953	Glatthar et al.	
D198,539 S *	6/1964	Freed	D26/70
D217,636 S	5/1970	Mori	
D226,532 S *	3/1973	Ishii	D26/84
D237,001 S *	9/1975	Von Serda	D26/137
D252,351 S *	7/1979	Glassman	D26/80
D252,532 S *	7/1979	Glassman	D26/80
D265,513 S *	7/1982	Thurston	D26/85
D317,058 S *	5/1991	Sonneman	D26/92
D320,465 S *	10/1991	Sonneman	D26/86
D343,250 S	1/1994	Fouke et al.	
D387,463 S *	12/1997	Dolan	D26/81
D438,327 S *	2/2001	Chelf et al.	D26/80
D446,337 S *	8/2001	Benghozi	D26/86
D465,599 S	11/2002	Thompson	
D490,557 S *	5/2004	Cuevas et al.	D26/81
D514,733 S	2/2006	Benensohn	
D533,299 S *	12/2006	Rugee	D26/137
D536,468 S *	2/2007	Crosby	D26/84

D556,938 S	12/2007	Russello et al.	
D580,088 S *	11/2008	Orozco	D26/81
7,611,264 B1	11/2009	Chang et al.	
D607,136 S *	12/2009	Chen	D26/81
D611,650 S *	3/2010	Broekhoff	D26/134
D620,173 S *	7/2010	Sabernig	D26/81
D620,629 S *	7/2010	Sabernig	D26/84
D627,912 S	11/2010	Mo	
D639,996 S	6/2011	Stolte et al.	
D642,316 S	7/2011	Zheng et al.	

(Continued)

**OTHER PUBLICATIONS**

Model 64016—Hermes Cable Pendant from Access Lighting. Found at accesslighting.com, visited Mar. 10, 2009. (2 pages).\*

(Continued)

*Primary Examiner* — Clare E Heflin

(74) *Attorney, Agent, or Firm* — Staas & Halsey LLP

(57) **CLAIM**

The ornamental design for a lamp, as shown and described.

**DESCRIPTION**

FIG. 1 is a top perspective view of the lamp showing my design;

FIG. 2 is a bottom perspective view thereof;

FIG. 3 is a side view thereof;

FIG. 4 is another side view thereof;

FIG. 5 is a top view;

FIG. 6 is a bottom view;

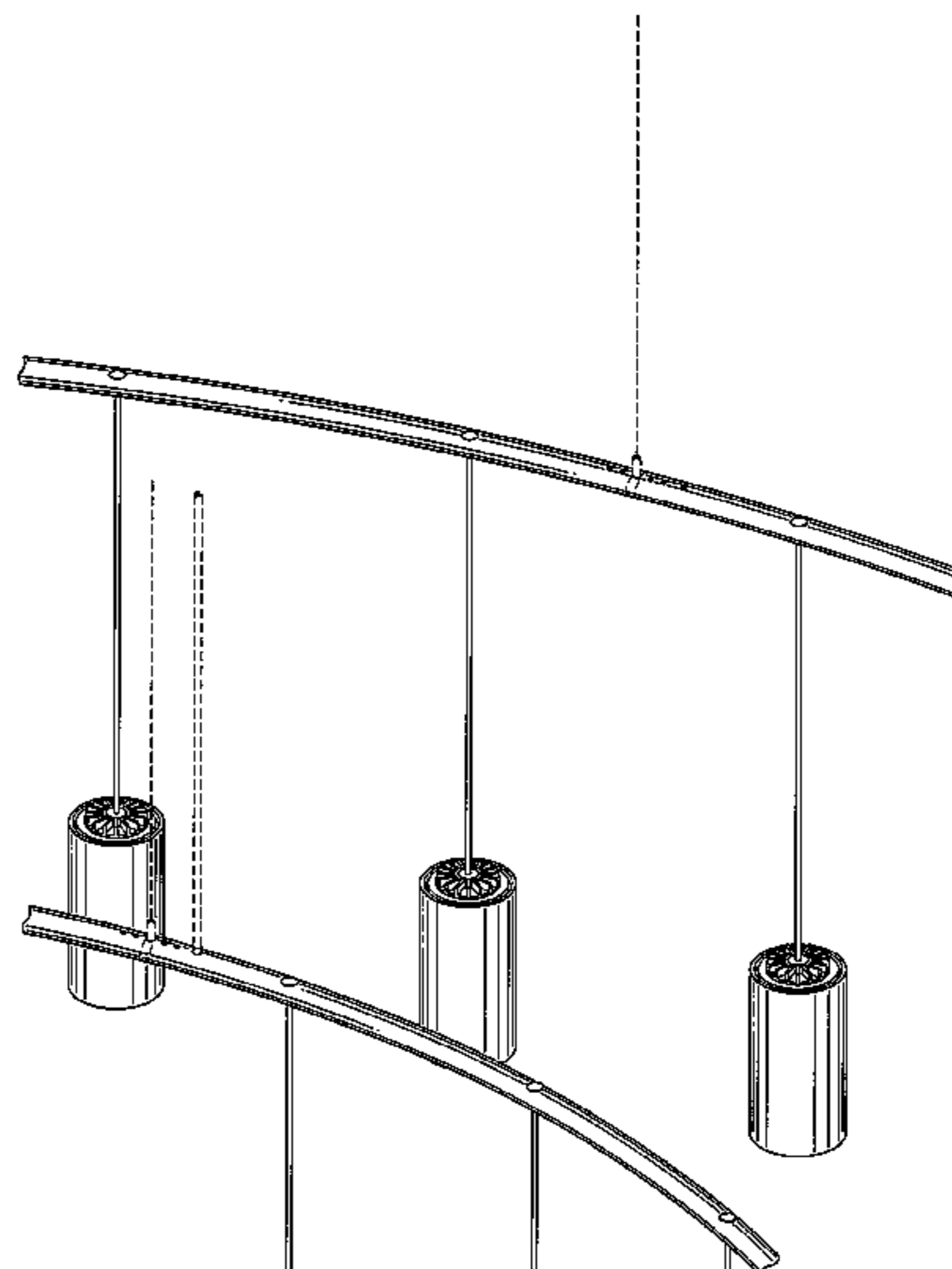
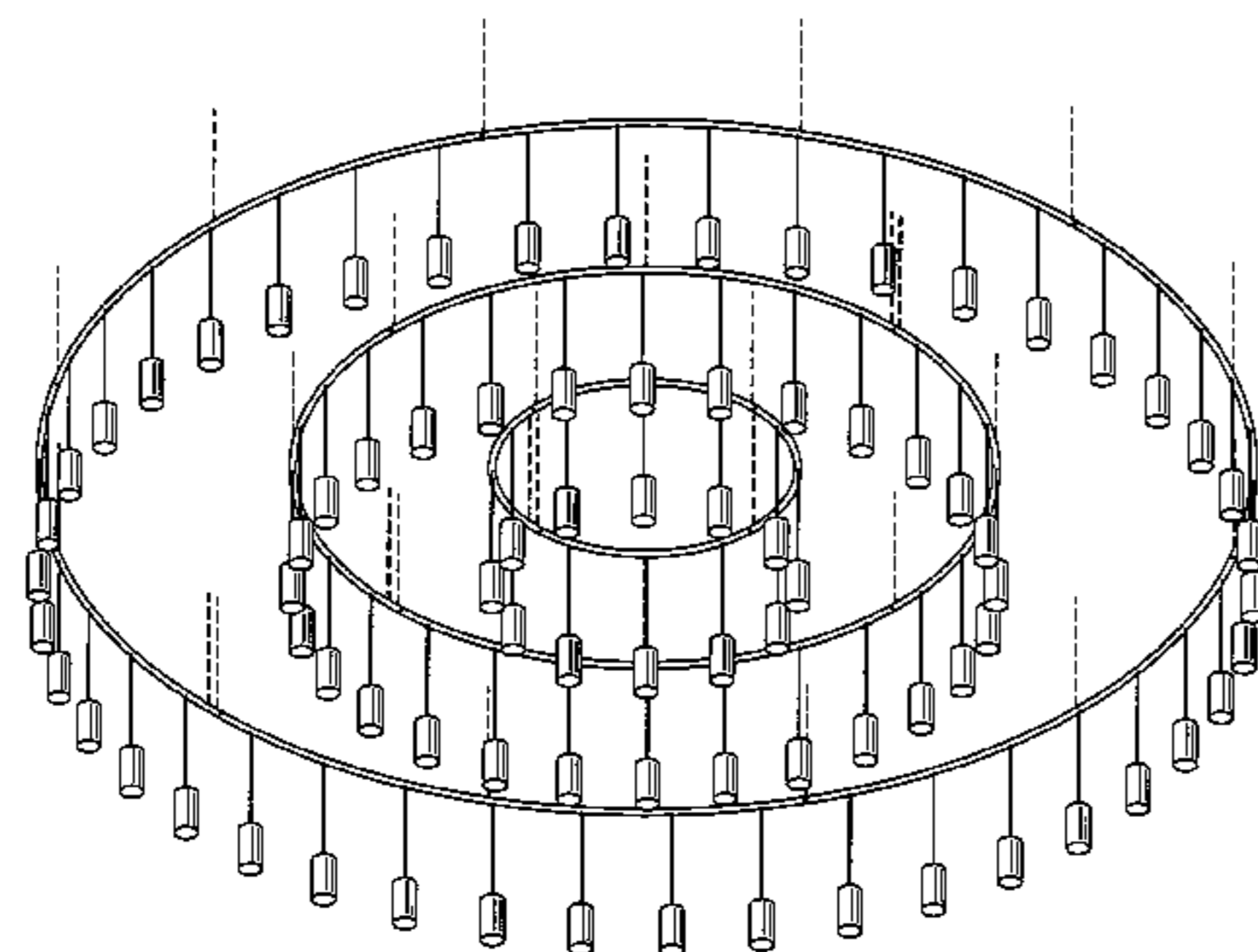
FIG. 7 is a fragmentary view thereof, showing an enlarged portion of the lamp as indicated in FIG. 1;

FIG. 8 is a fragmentary view thereof, showing a further enlarged portion of the lamp as indicated in FIG. 1; and,

FIG. 9 is a fragmentary view thereof, showing an enlarged portion of the lamp as indicated in FIG. 5.

The broken lines shown on the drawings depict portions of the light fixture that form no part of the claimed design.

**1 Claim, 9 Drawing Sheets**



# US D666,760 S

Page 2

---

## U.S. PATENT DOCUMENTS

D657,088 S 4/2012 Miró

## OTHER PUBLICATIONS

“Goldmann” pendant designed by Adolf Loos for Woka. Found at [architonic.com](http://architonic.com), visited Jan. 19, 2012.\*

“Hula Hoop” pendant designed by Christiane Bussgen for Woka. Found at [architonic.com](http://architonic.com) visited Jan. 19, 2012.\*

“Atrina” Chandelier model 42344 on p. s282 and “Atrina” mini pendant Model 42348 on p. s283, both from the Kichler 2010 Catalog Supplement No. K609. (3 pages).\*

“Tofu” table lamp from Yamagiwa Lighting Design 2005.\*

Notice of Allowance dated Nov. 29, 2011 in U.S. Appl. No. 29/371,379, now U.S. Design Patent No. D657,088 identified above.

\* cited by examiner

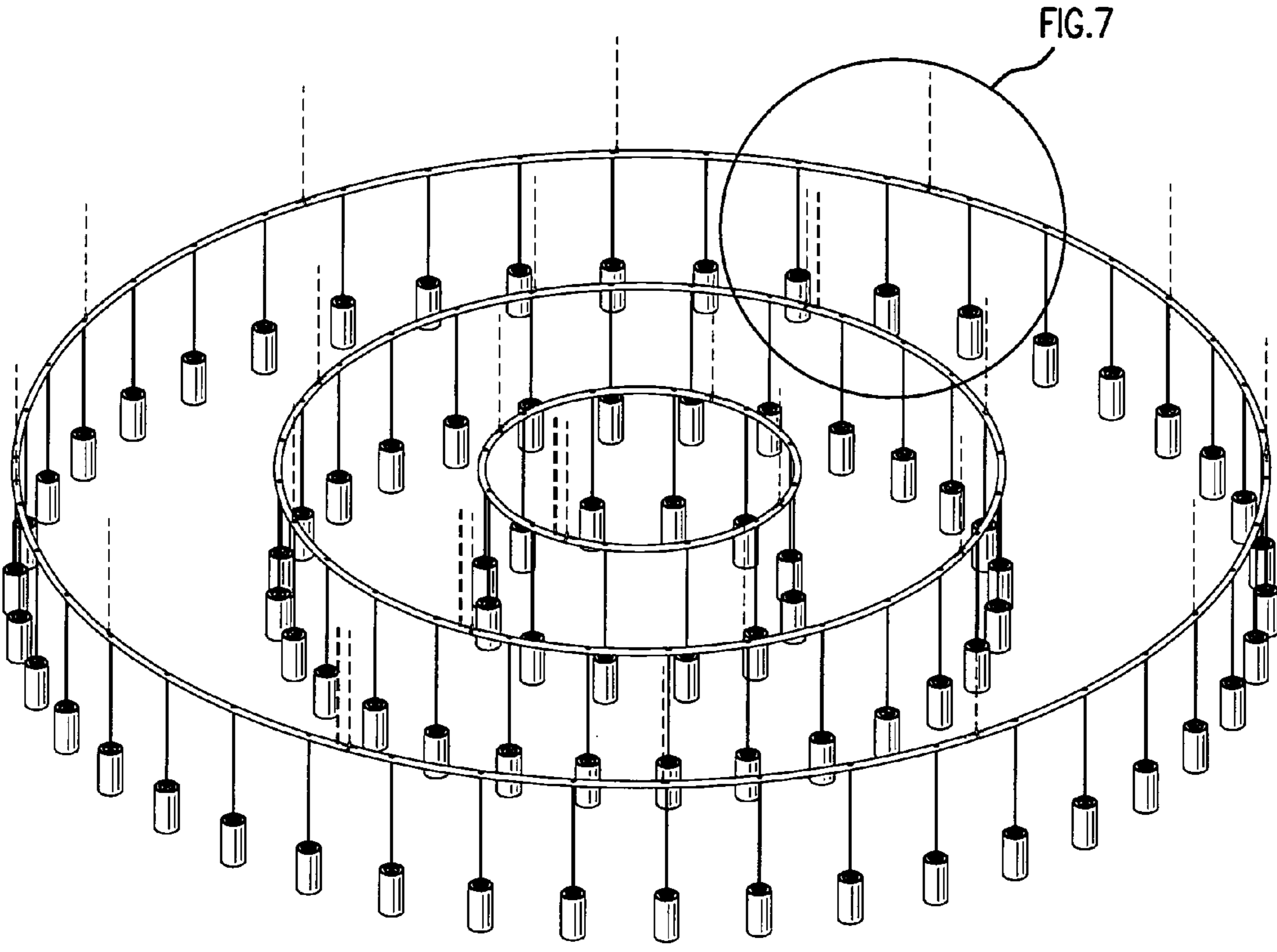


FIG. 1

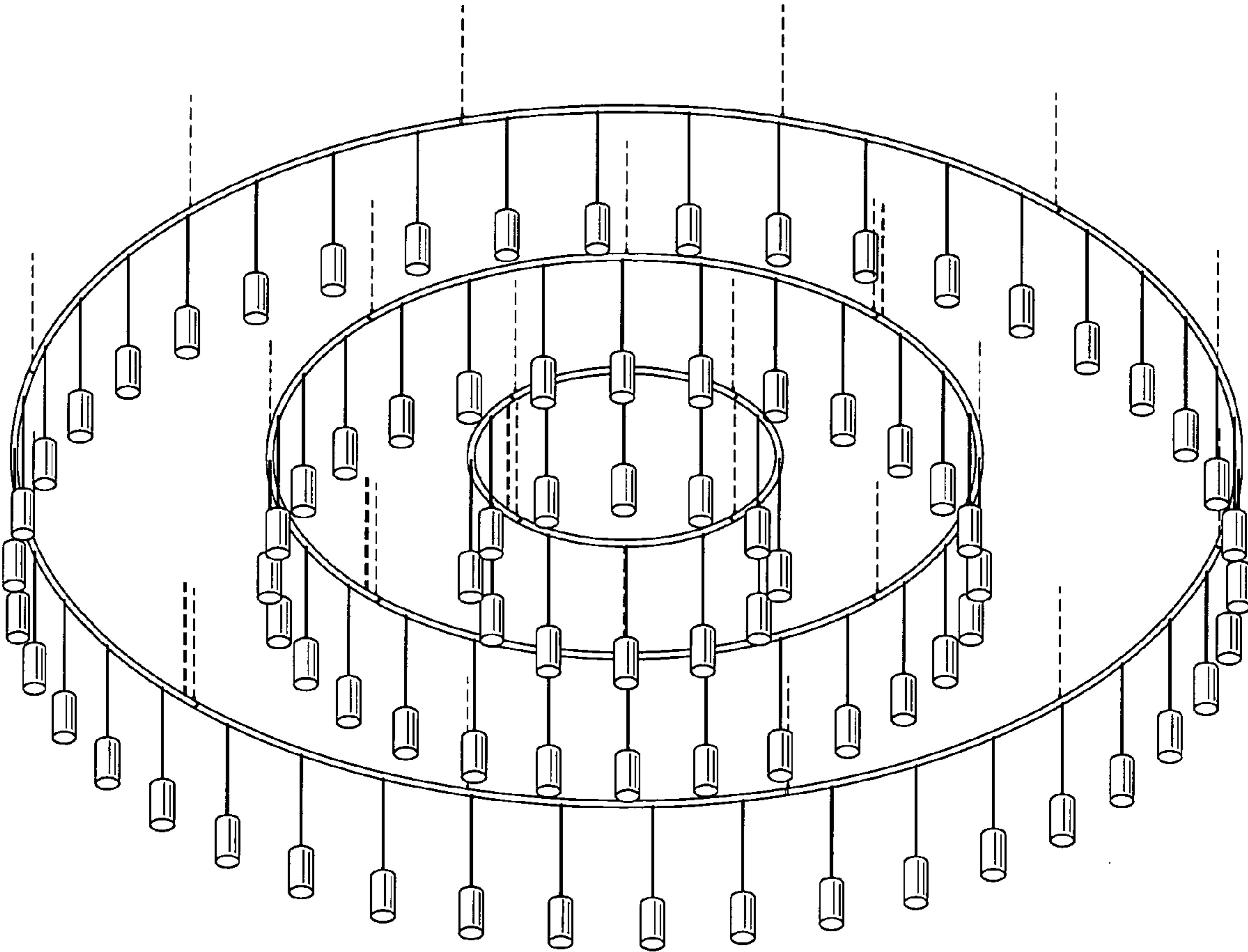


FIG.2

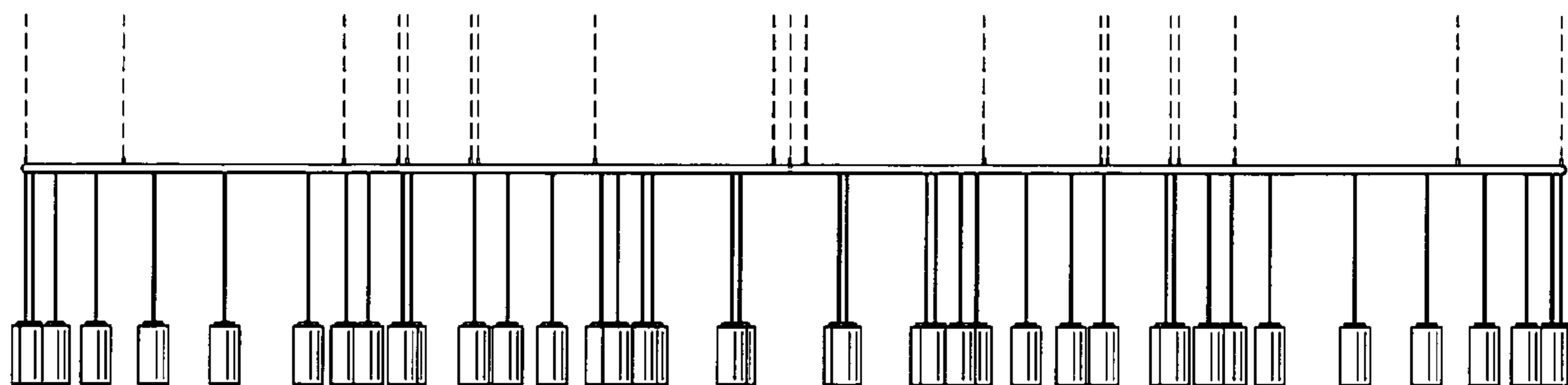


FIG. 3

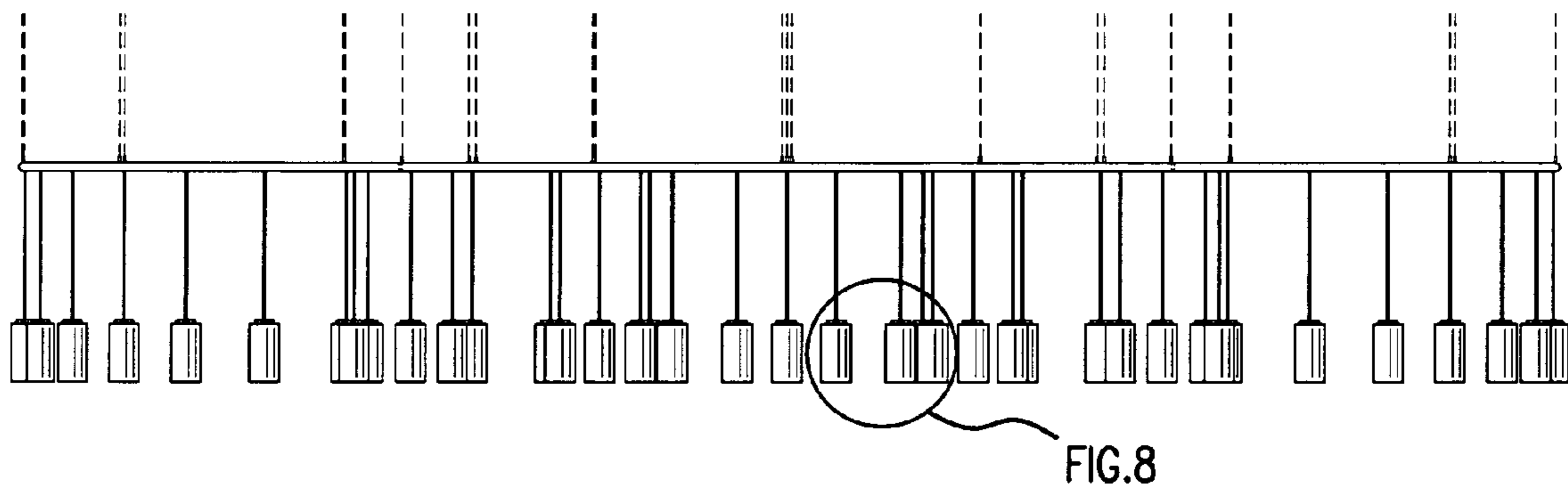


FIG.4

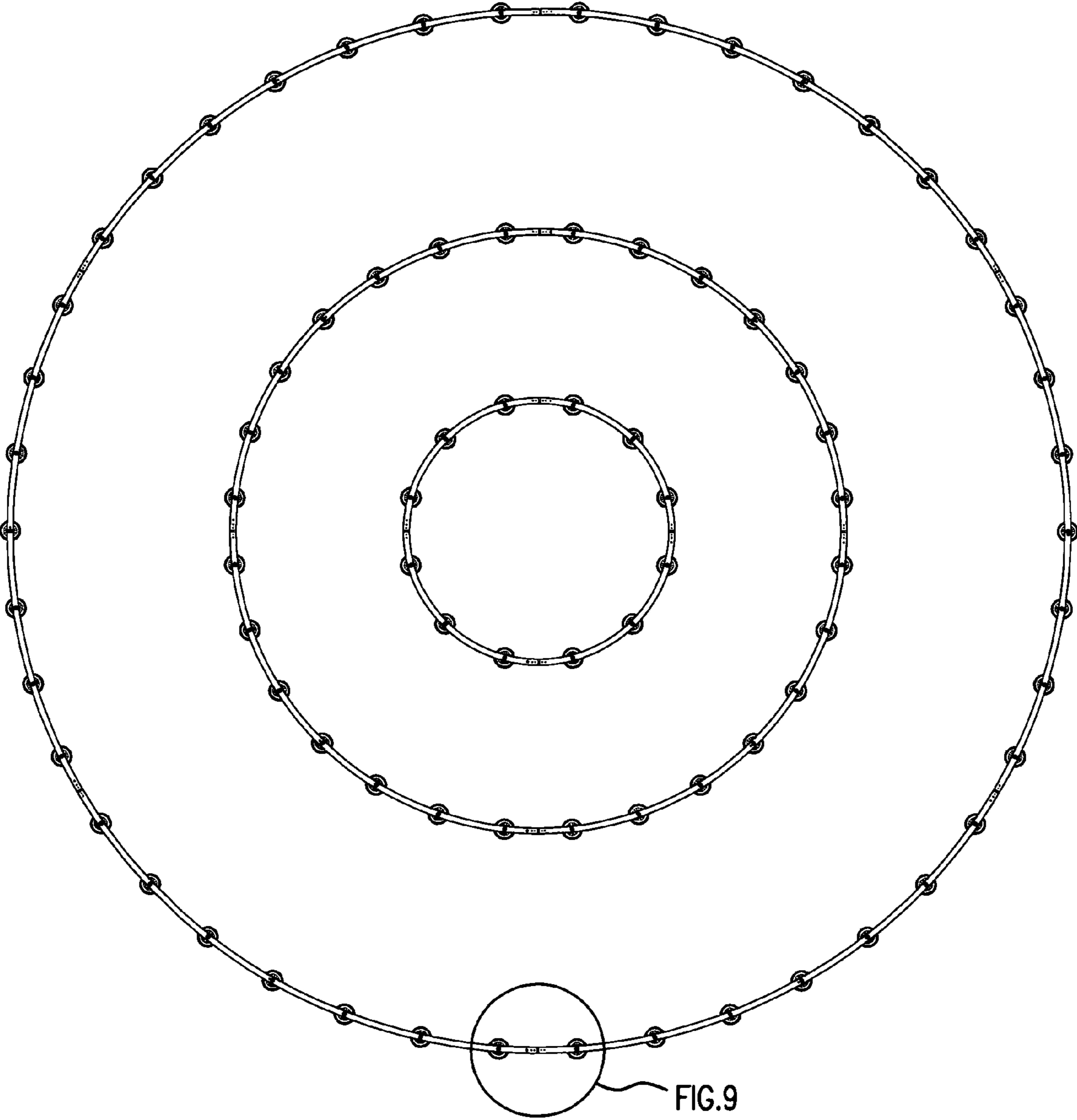


FIG.5

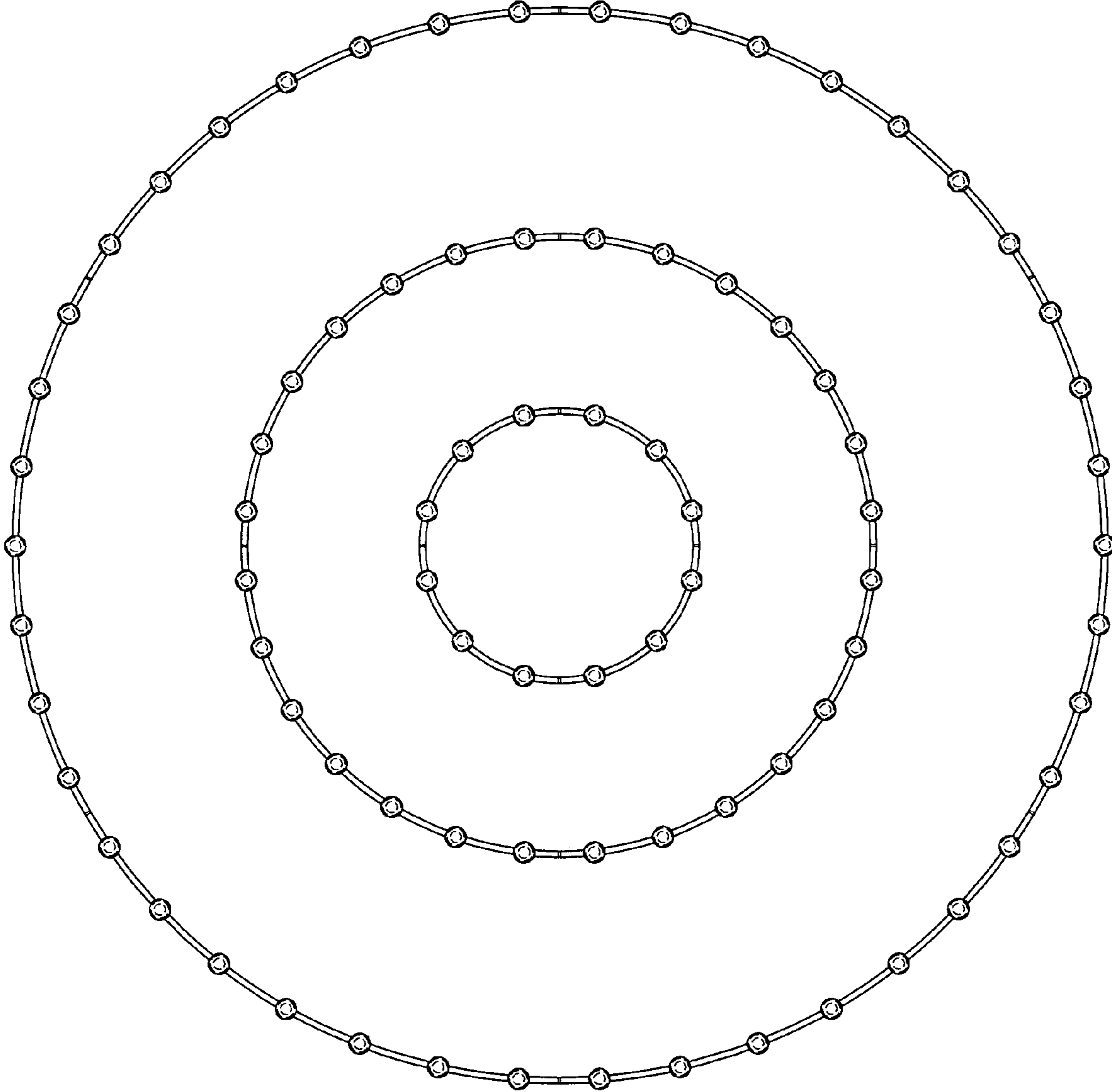


FIG.6



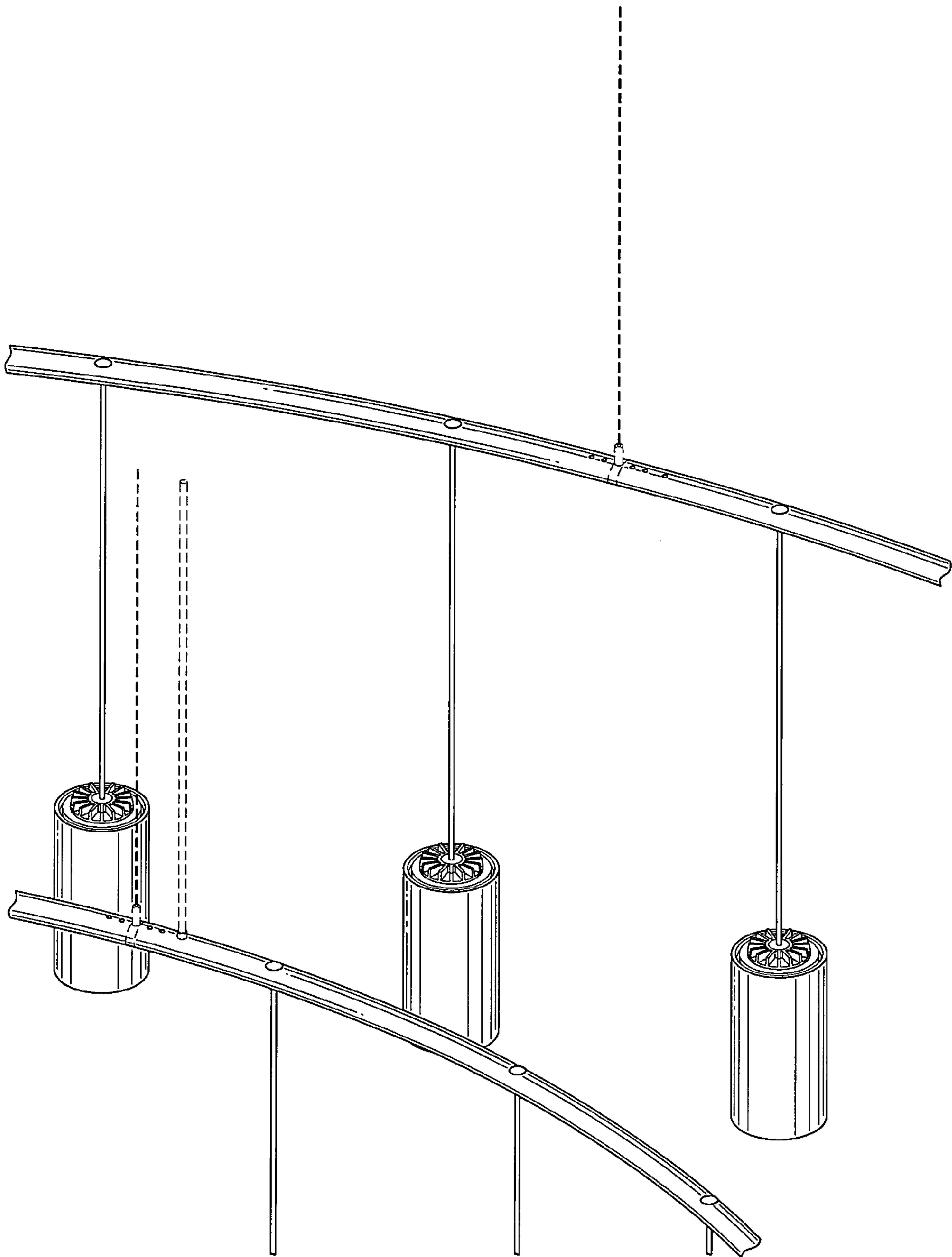


FIG. 7

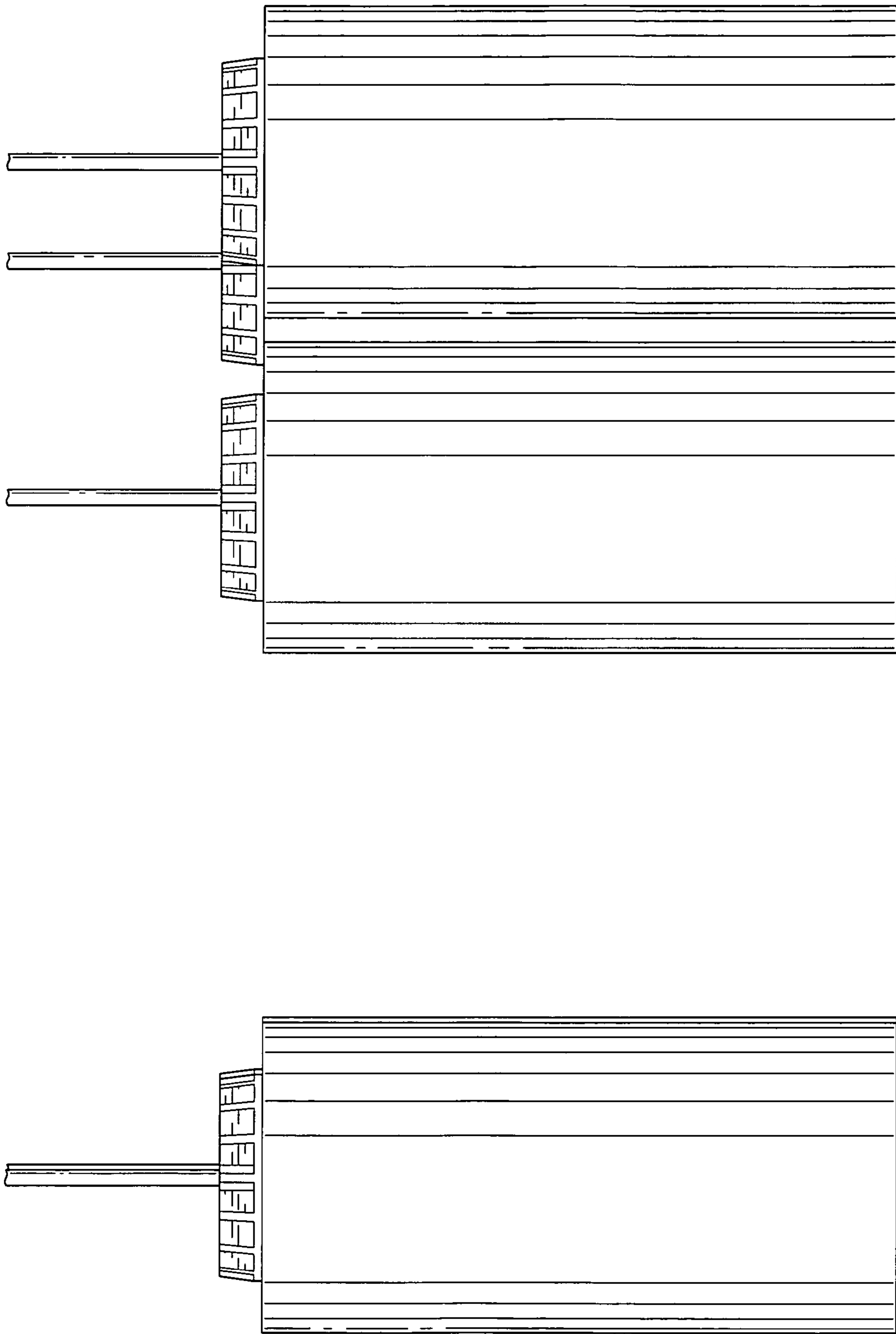


FIG. 8

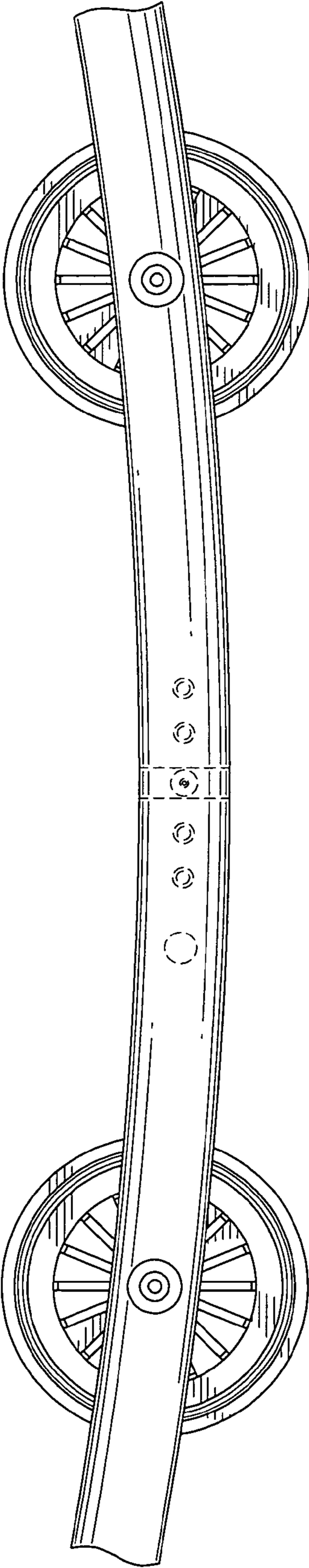


FIG. 9