



US00D666756S

(12) **United States Design Patent**
Kani et al.

(10) **Patent No.:** **US D666,756 S**

(45) **Date of Patent:** **** Sep. 4, 2012**

(54) **ILLUMINATION DEVICE FOR INSPECTION**

(75) Inventors: **Naoki Kani**, Kyoto (JP); **Kenji Miura**, Kyoto (JP)

(73) Assignee: **CCS Inc.**, Kyoto-shi (JP)

(**) Term: **14 Years**

(21) Appl. No.: **29/386,591**

(22) Filed: **Mar. 2, 2011**

(51) **LOC (9) Cl.** **26-02**

(52) **U.S. Cl.** **D26/37**

(58) **Field of Classification Search** D26/37,
D26/38, 39, 40, 43, 45, 46, 49, 51; 362/157,
362/158, 183, 185, 194-197, 200-208

See application file for complete search history.

(56) **References Cited**

U.S. PATENT DOCUMENTS

D432,689 S *	10/2000	Yuen	D26/38
D485,924 S *	1/2004	Kihara	D26/37
D507,368 S *	7/2005	Waters	D26/37
D507,369 S *	7/2005	Waters	D26/37
D524,963 S *	7/2006	Thuma et al.	D26/38
D528,236 S *	9/2006	Strom et al.	D26/37
D541,960 S *	5/2007	Rothman	D26/37
D591,438 S *	4/2009	Hama et al.	D26/37

D595,881 S * 7/2009 Hama et al. D26/37
* cited by examiner

Primary Examiner — Ian Simmons

Assistant Examiner — Carissa C Fitts

(74) *Attorney, Agent, or Firm* — Alleman Hall McCoy Russell & Tuttle LLP

(57) **CLAIM**

The ornamental design for an illumination device for inspection, as shown and described.

DESCRIPTION

FIG. 1 is a front elevational view of an illumination device for inspection;

FIG. 2 is a rear elevational view of the illumination device of FIG. 1;

FIG. 3 is a right side elevational view of the illumination device of FIG. 1;

FIG. 4 is a left side elevational view of the illumination device of FIG. 1;

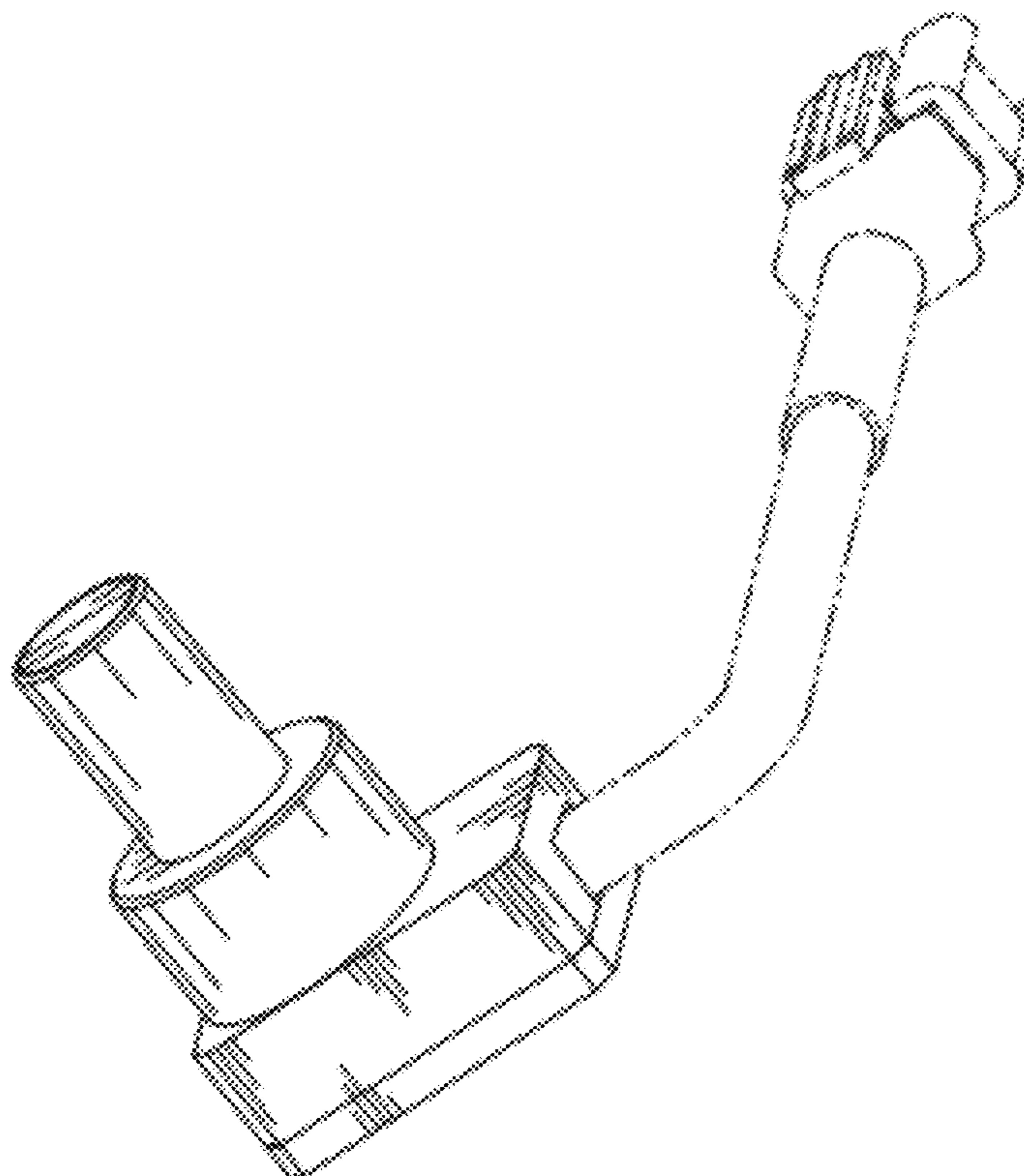
FIG. 5 is a top plan view of the illumination device of FIG. 1;

FIG. 6 is a bottom plan view of the illumination device of FIG. 1; and,

FIG. 7 is a perspective view of the illumination device of FIG. 1.

The dashed lines in FIGS. 1-7 illustrate a mount for the illumination device for inspection, and form no part of the claimed design.

1 Claim, 3 Drawing Sheets



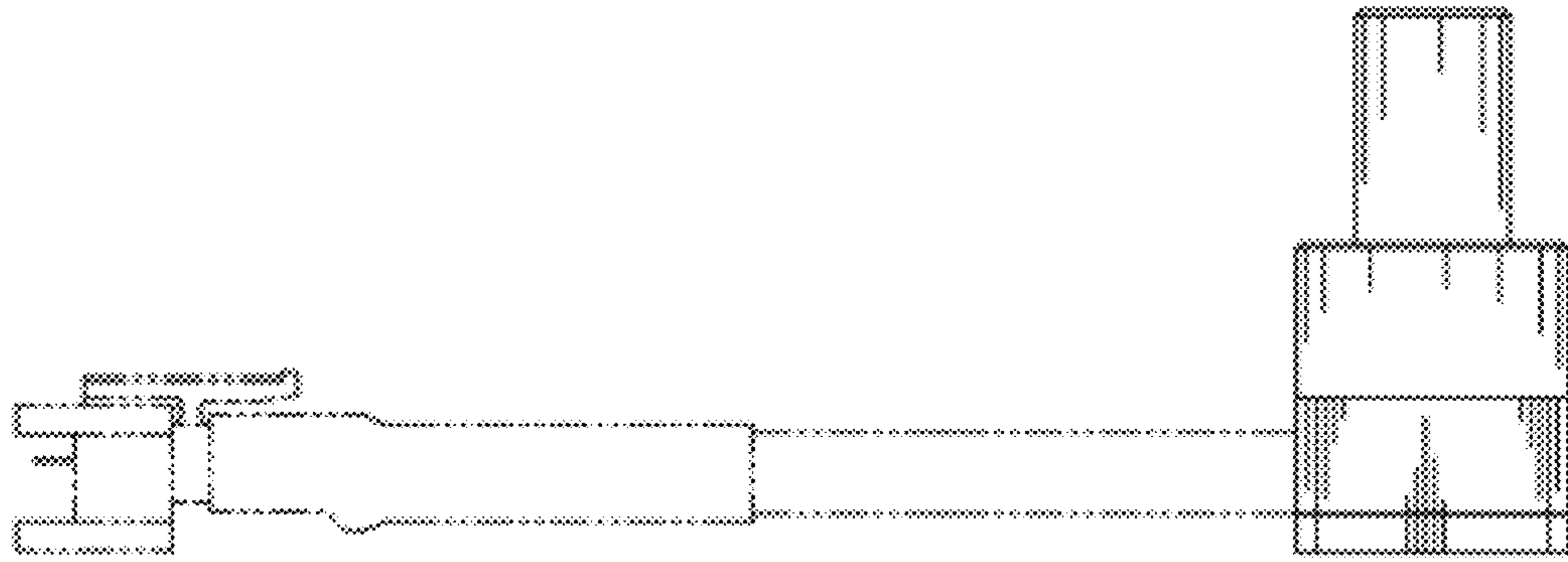


FIG. 1

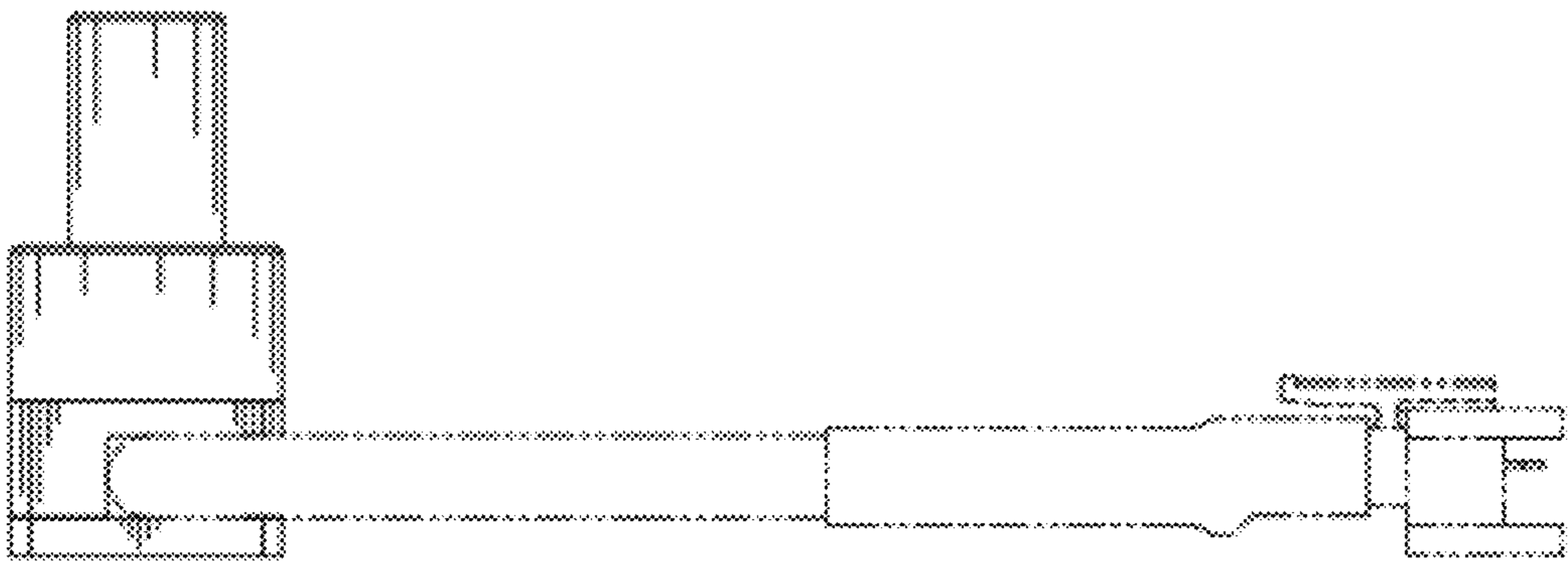


FIG. 2

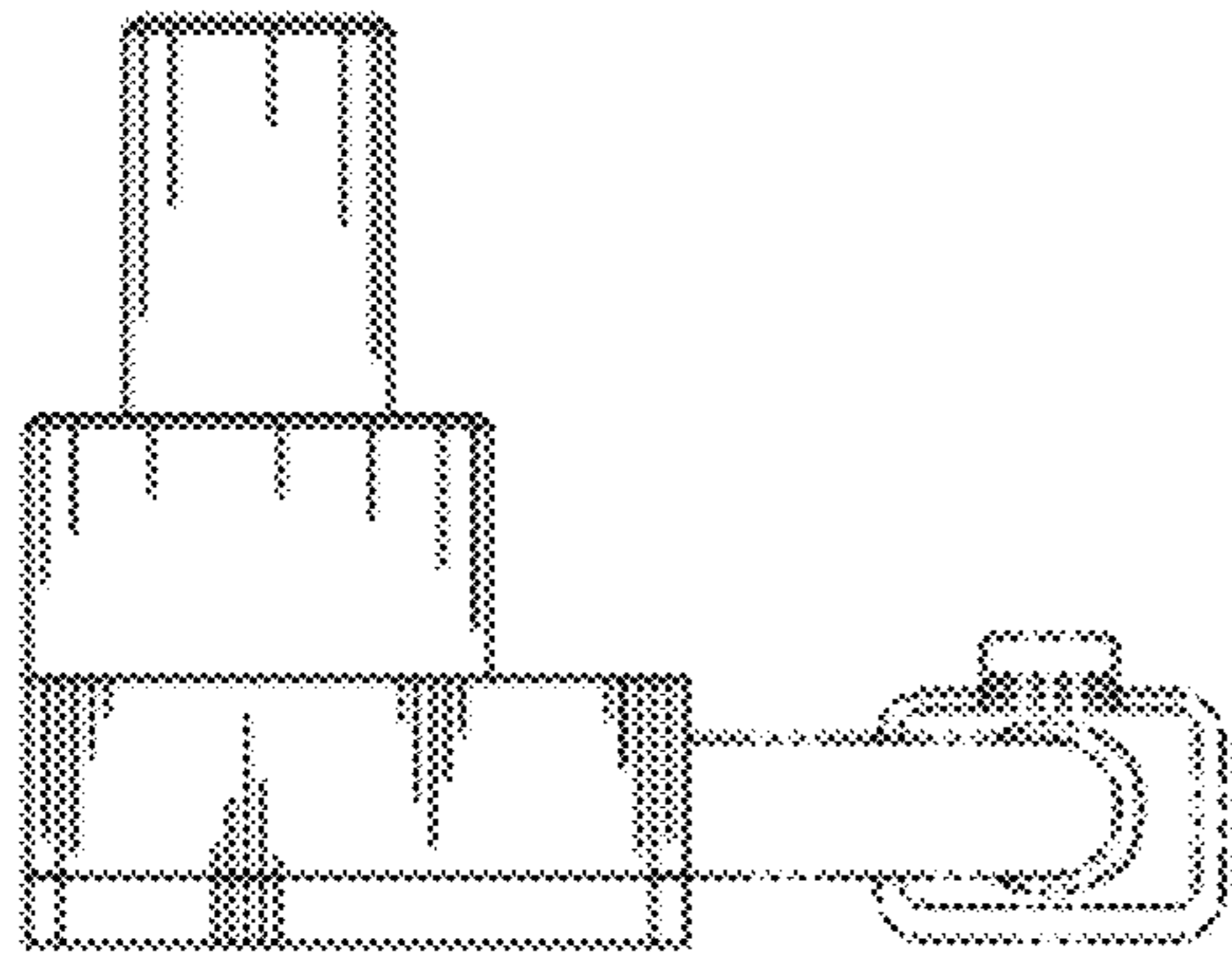


FIG. 3

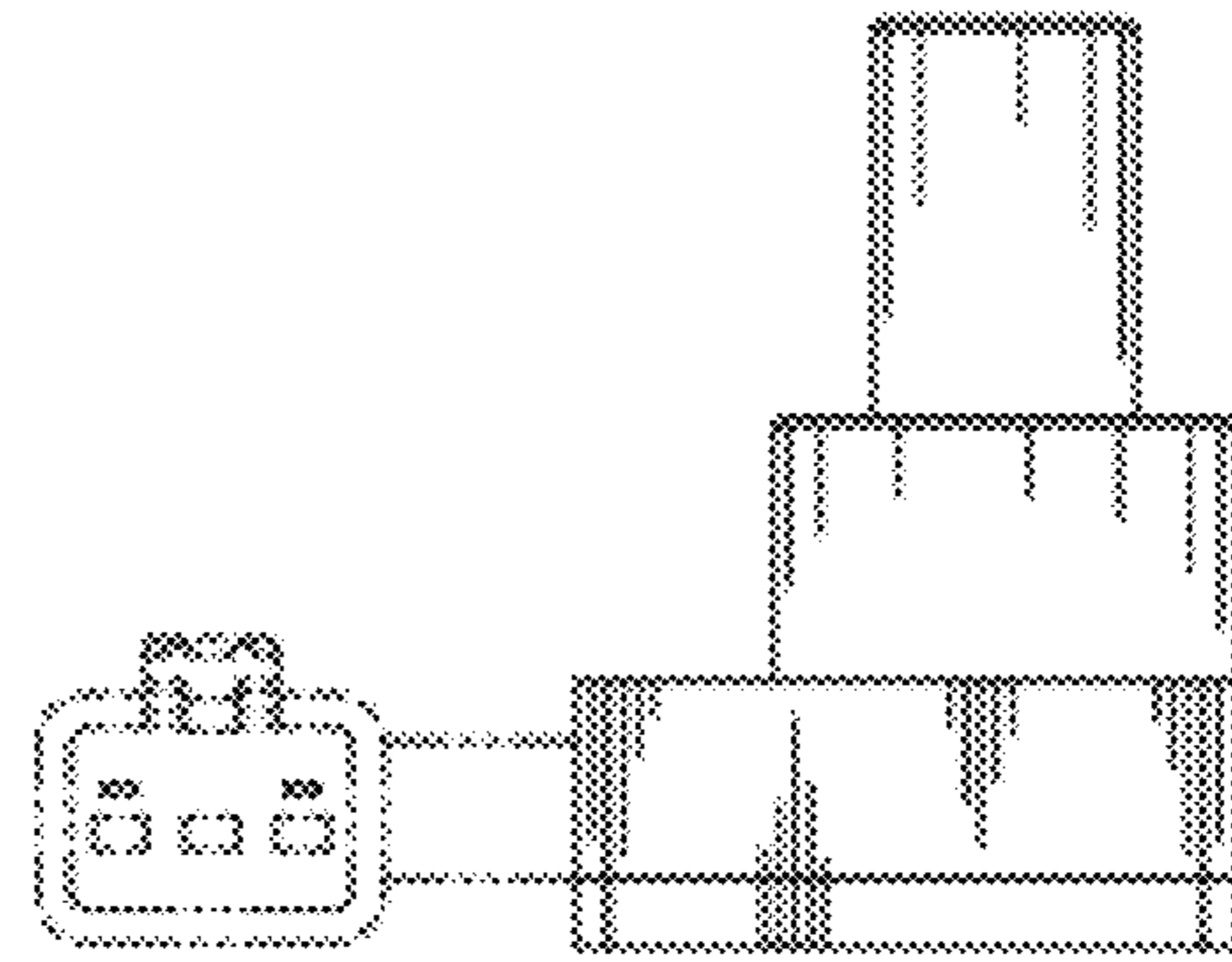


FIG. 4

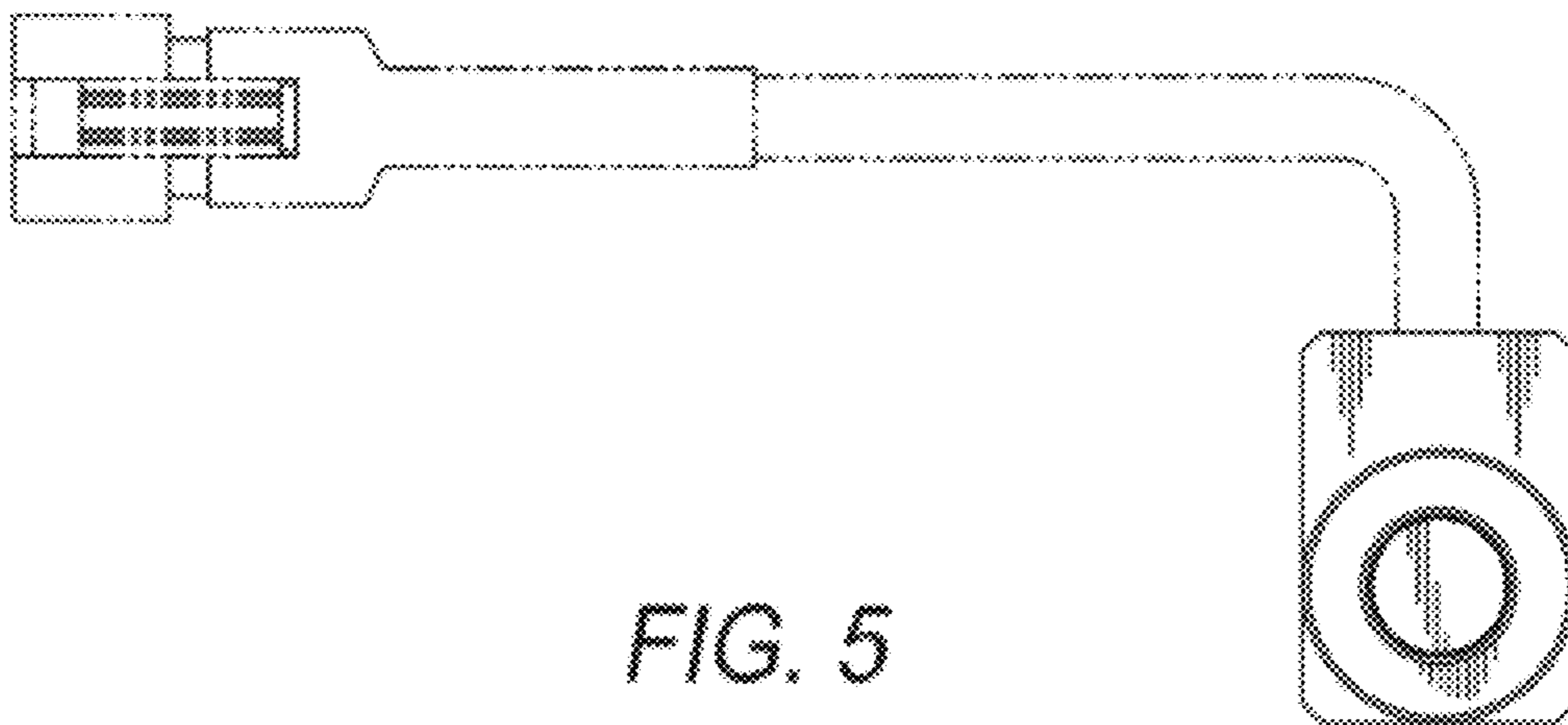


FIG. 5

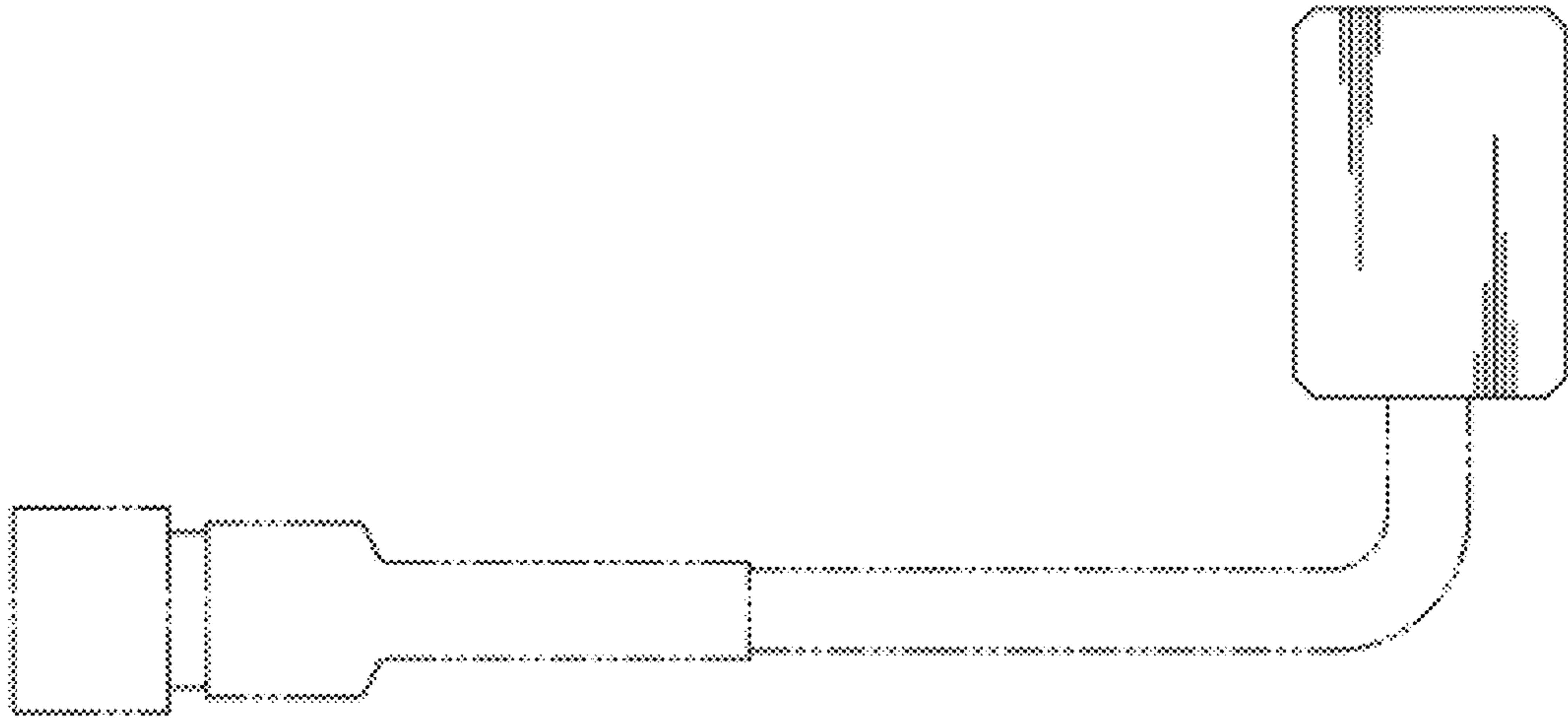


FIG. 6

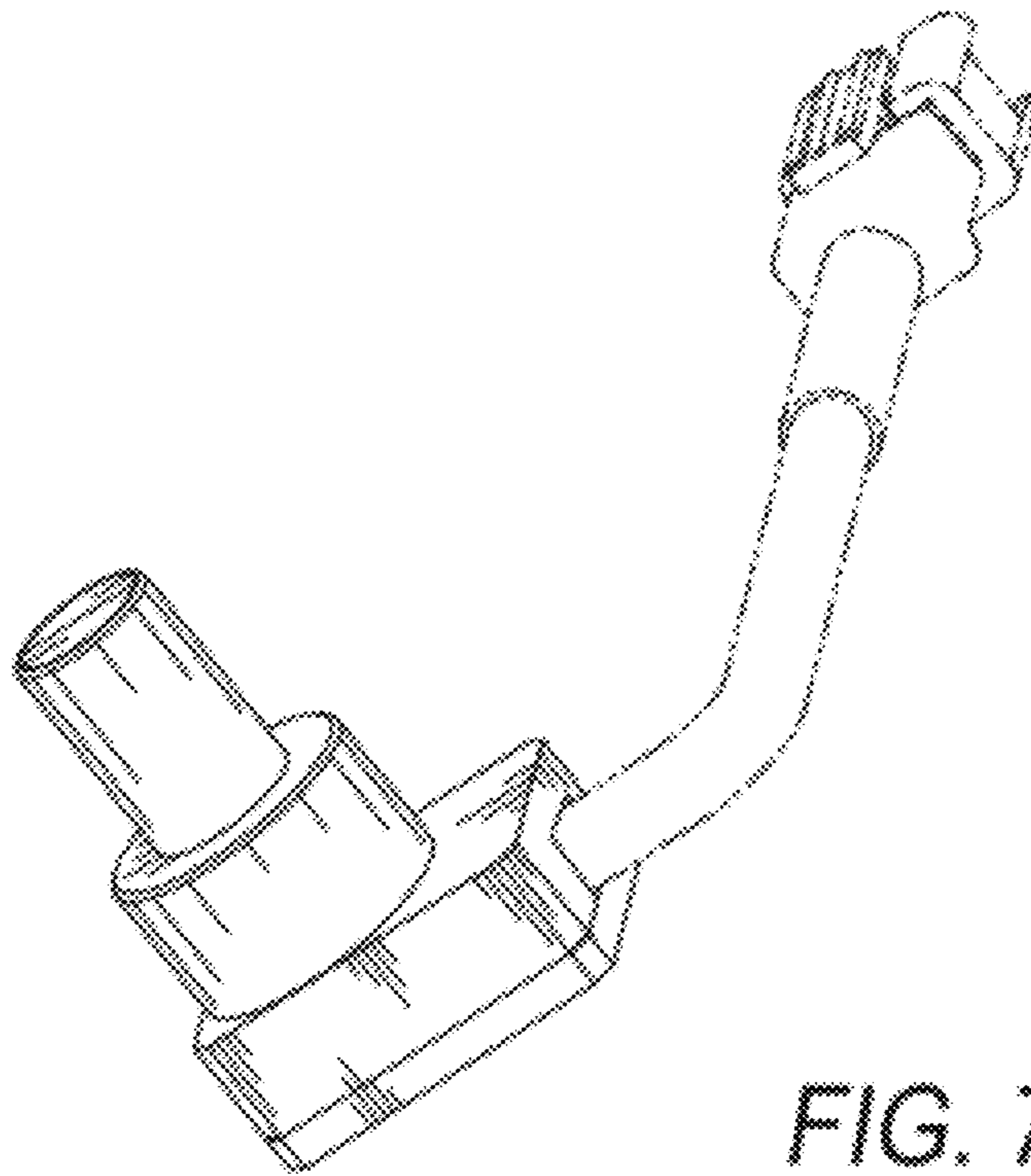


FIG. 7