



US00D666755S

(12) **United States Design Patent**  
**Minami et al.**

(10) **Patent No.:** **US D666,755 S**

(45) **Date of Patent:** **\*\* Sep. 4, 2012**

(54) **REAR COMBINATION LAMP FOR AN  
AUTOMOBILE**

(75) Inventors: **Takahiro Minami**, Kanagawa-ken (JP);  
**Noriyuki Nakamura**, Shizuoka-ken (JP)

(73) Assignee: **Toyota Jidosha Kabushiki Kaisha**,  
Toyota-shi (JP)

(\*\*) Term: **14 Years**

(21) Appl. No.: **29/405,123**

(22) Filed: **Oct. 28, 2011**

(51) **LOC (9) Cl.** ..... **26-06**

(52) **U.S. Cl.** ..... **D26/28**

(58) **Field of Classification Search** ..... D26/28–36;  
362/459–468, 475–478, 485–487

See application file for complete search history.

(56) **References Cited**

**U.S. PATENT DOCUMENTS**

D476,759 S *	7/2003	Lin	.....	D26/28
D483,890 S *	12/2003	Lin	.....	D26/28
D497,018 S *	10/2004	Lin	.....	D26/28
D541,445 S *	4/2007	Lin	.....	D26/28
D542,445 S *	5/2007	Matsunami	.....	D26/28
D550,380 S *	9/2007	Lin	.....	D26/28
D562,477 S *	2/2008	Hsu	.....	D26/28
D570,015 S *	5/2008	Hsu	.....	D26/28

**OTHER PUBLICATIONS**

Volkswagen Golf Variant, <http://221616.comcorism/articles/0000101758>, Feb. 1, 1011.

Corolla Fielder, [minkara.carview.co.jp](http://minkara.carview.co.jp), Feb. 1, 2011.

\* cited by examiner

*Primary Examiner* — Marcus Jackson

(74) *Attorney, Agent, or Firm* — Finnegan, Henderson, Farabow, Garrett & Dunner, LLP

(57) **CLAIM**

The ornamental design for a rear combination lamp for an automobile, as shown and described.

**DESCRIPTION**

FIG. 1 is a front perspective view of a rear combination lamp for an automobile of our new design;

FIG. 2 is a front view thereof;

FIG. 3 is a rear view thereof;

FIG. 4 is a top plan view thereof;

FIG. 5 is a bottom view thereof;

FIG. 6 is a right side view thereof; and,

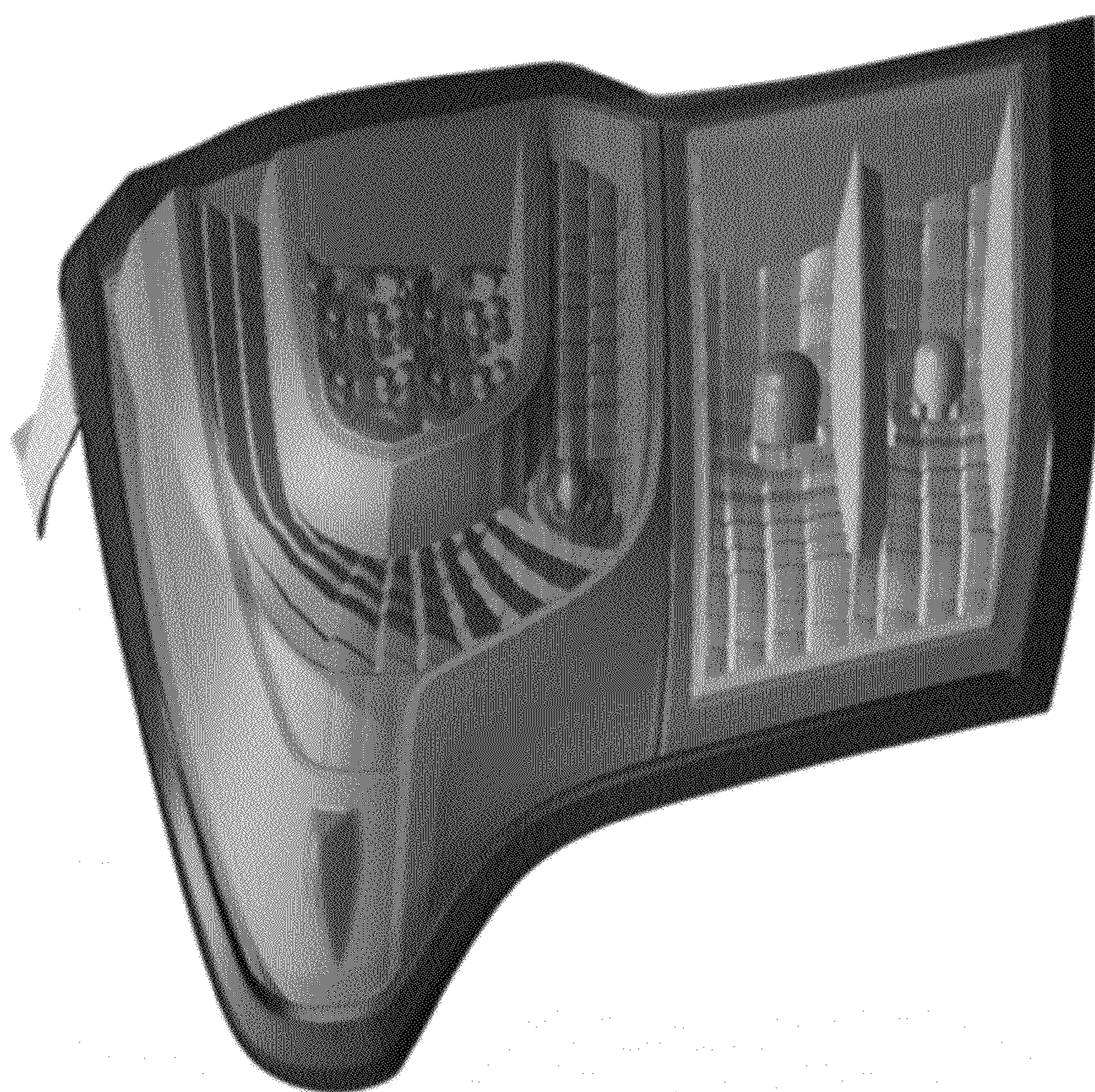
FIG. 7 is a left side view thereof.

The claimed design includes a mirror image of the embodiment depicted.

**1 Claim, 4 Drawing Sheets**

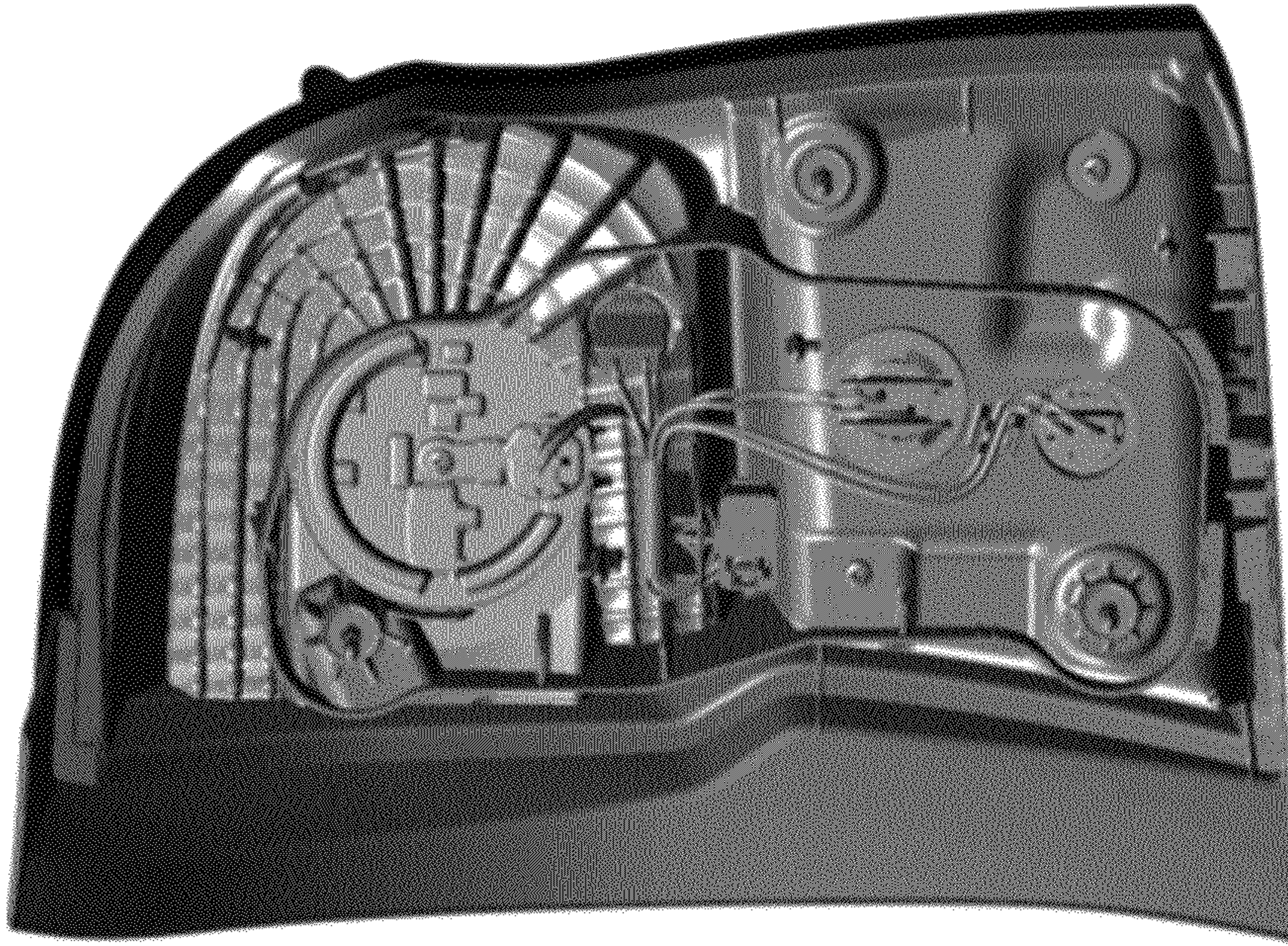




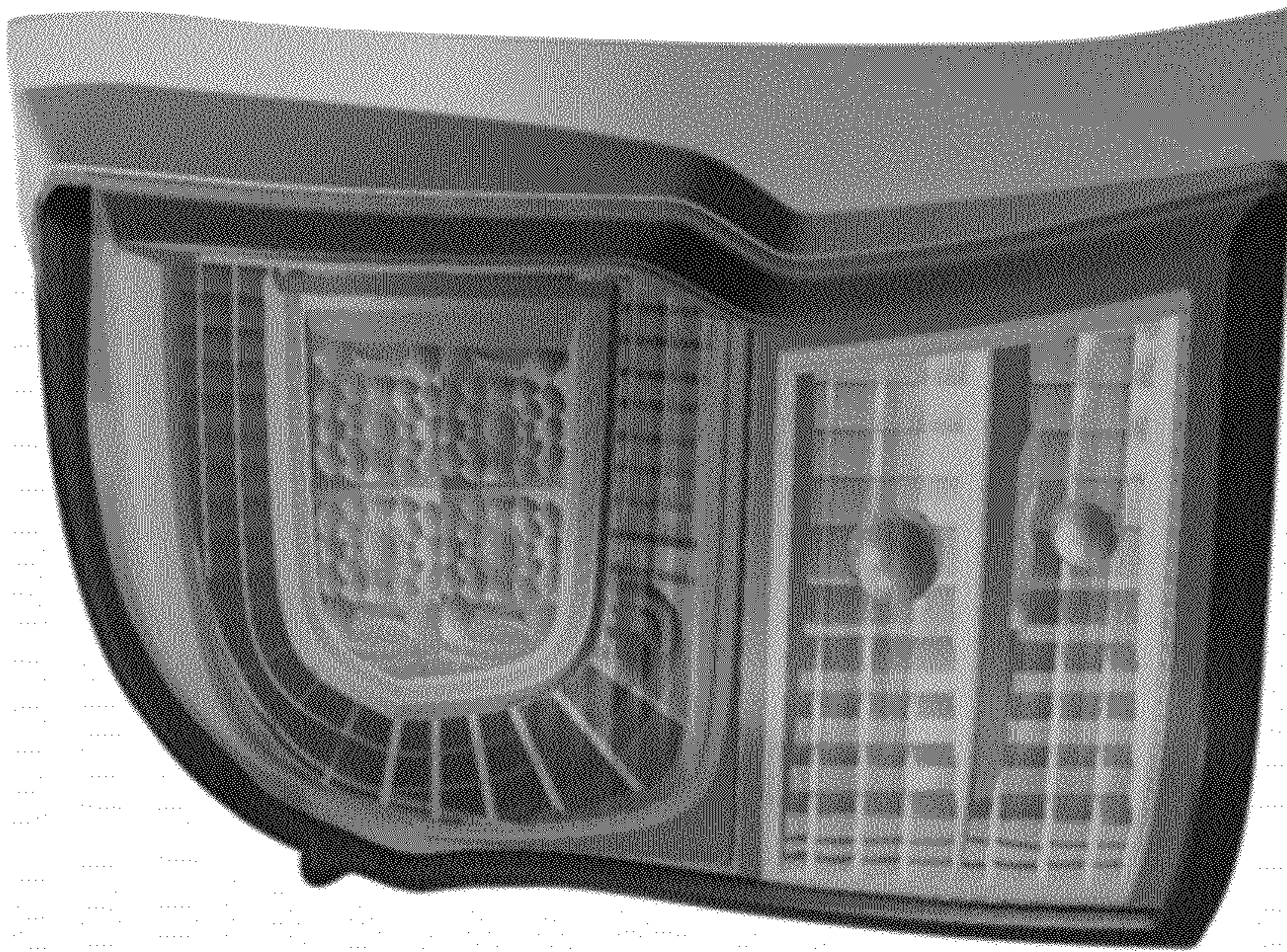


**FIG. 1**



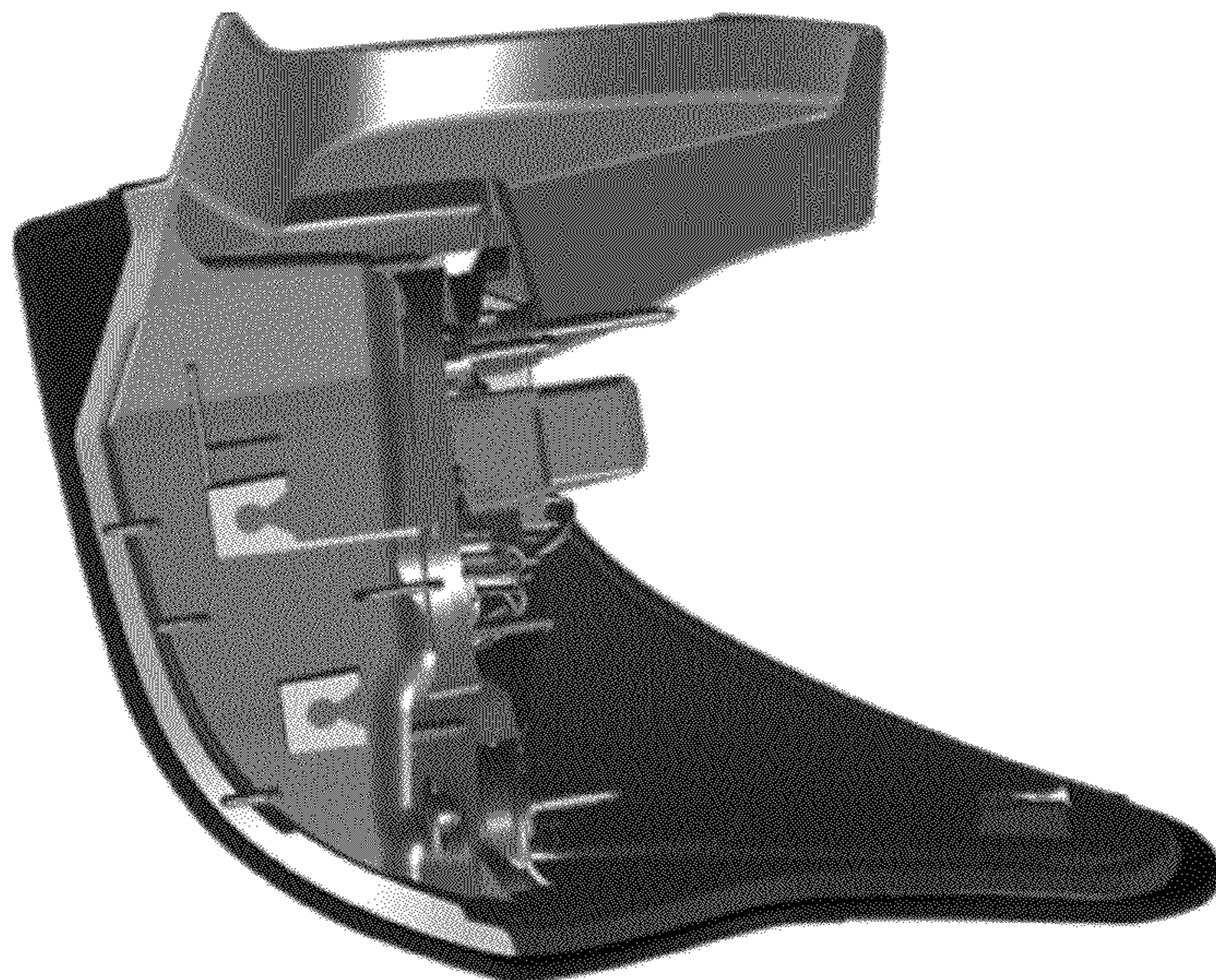


**FIG. 3**



**FIG. 2**



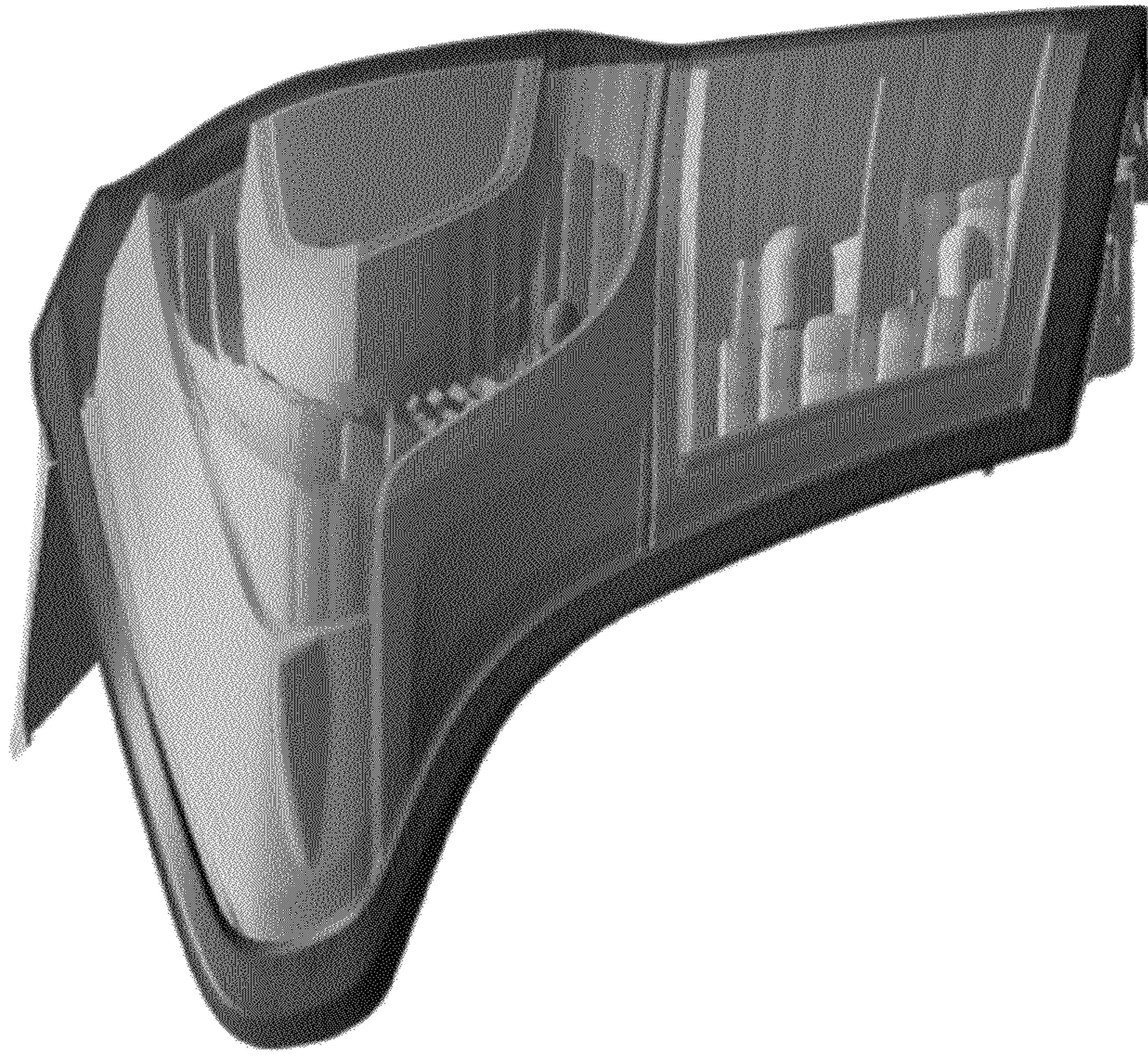


**FIG. 4**

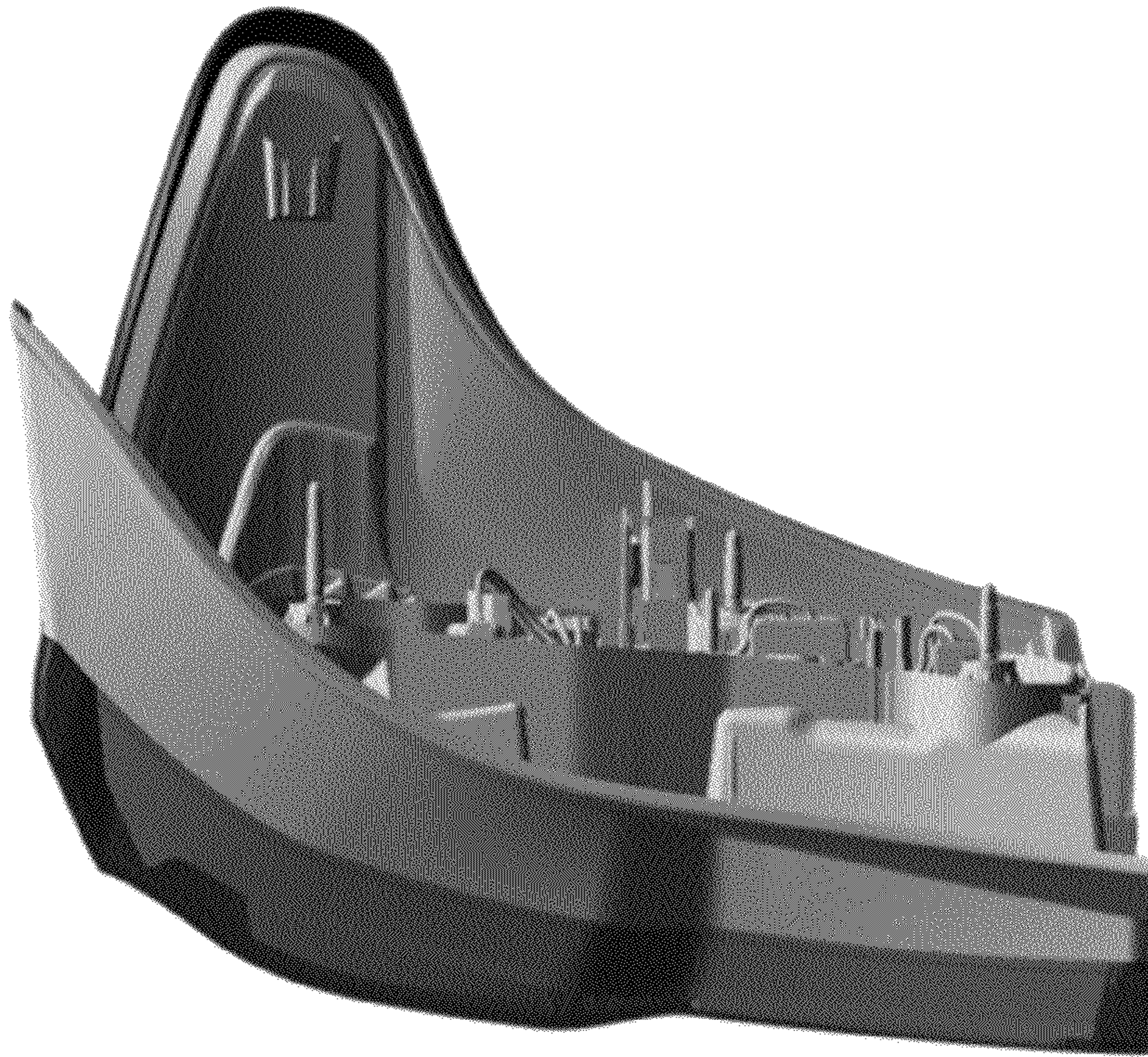


**FIG. 5**





**FIG. 7**



**FIG. 6**