



US00D666754S

(12) **United States Design Patent**
Yamada et al.

(10) **Patent No.:** **US D666,754 S**
(45) **Date of Patent:** **** Sep. 4, 2012**

(54) **FRONT COMBINATION LAMP FOR AN AUTOMOBILE**

D635,282 S 3/2011 Sperling et al.
D636,100 S 4/2011 Okamura et al.
D642,305 S 7/2011 Tokizane
D642,306 S 7/2011 Tokizane

(75) Inventors: **Masayuki Yamada**, Aichi-ken (JP);
Yoshikazu Shouji, Shizuoka-ken (JP);
Kazuhiko Hasui, Shizuoka-ken (JP)

(73) Assignee: **Toyota Jidosha Kabushiki Kaisha**,
Toyota-shi (JP)

(**) Term: **14 Years**

(21) Appl. No.: **29/405,077**

(22) Filed: **Oct. 28, 2011**

(51) **LOC (9) Cl.** **26-06**

(52) **U.S. Cl.** **D26/28**

(58) **Field of Classification Search** D26/28-36;
362/459-468, 475-478, 485-487

See application file for complete search history.

(56) **References Cited**

U.S. PATENT DOCUMENTS

D528,681 S *	9/2006	Nakahara	D26/28
D535,764 S *	1/2007	Yamaguchi	D26/28
D536,810 S *	2/2007	Ishikura	D26/28
D538,956 S *	3/2007	Ishii	D26/28
D544,614 S *	6/2007	Markefka	D26/28
D556,349 S *	11/2007	Golden et al.	D26/28
D560,291 S *	1/2008	Koyama	D26/28
D561,358 S *	2/2008	Tachibana	D26/28
D632,813 S	2/2011	Kim		
D634,867 S *	3/2011	Frenzel et al.	D26/28

OTHER PUBLICATIONS

BMW 5-Series; http://auto-one.jp/bmw/5_series/photo; Dec. 10, 2010.

Audi A3, Autoalbum, Cars of the World 2010, Publisher: Sanei Shobo, Mar. 14, 2010.

* cited by examiner

Primary Examiner — Marcus Jackson

(74) *Attorney, Agent, or Firm* — Finnegan, Henderson, Farabow, Garrett & Dunner, LLP

(57) **CLAIM**

The ornamental design for a front combination lamp for an automobile, as shown and described.

DESCRIPTION

FIG. 1 is a front perspective view of a front combination lamp for an automobile of our new design;

FIG. 2 is a front view thereof;

FIG. 3 is a rear view thereof;

FIG. 4 is a right side view thereof;

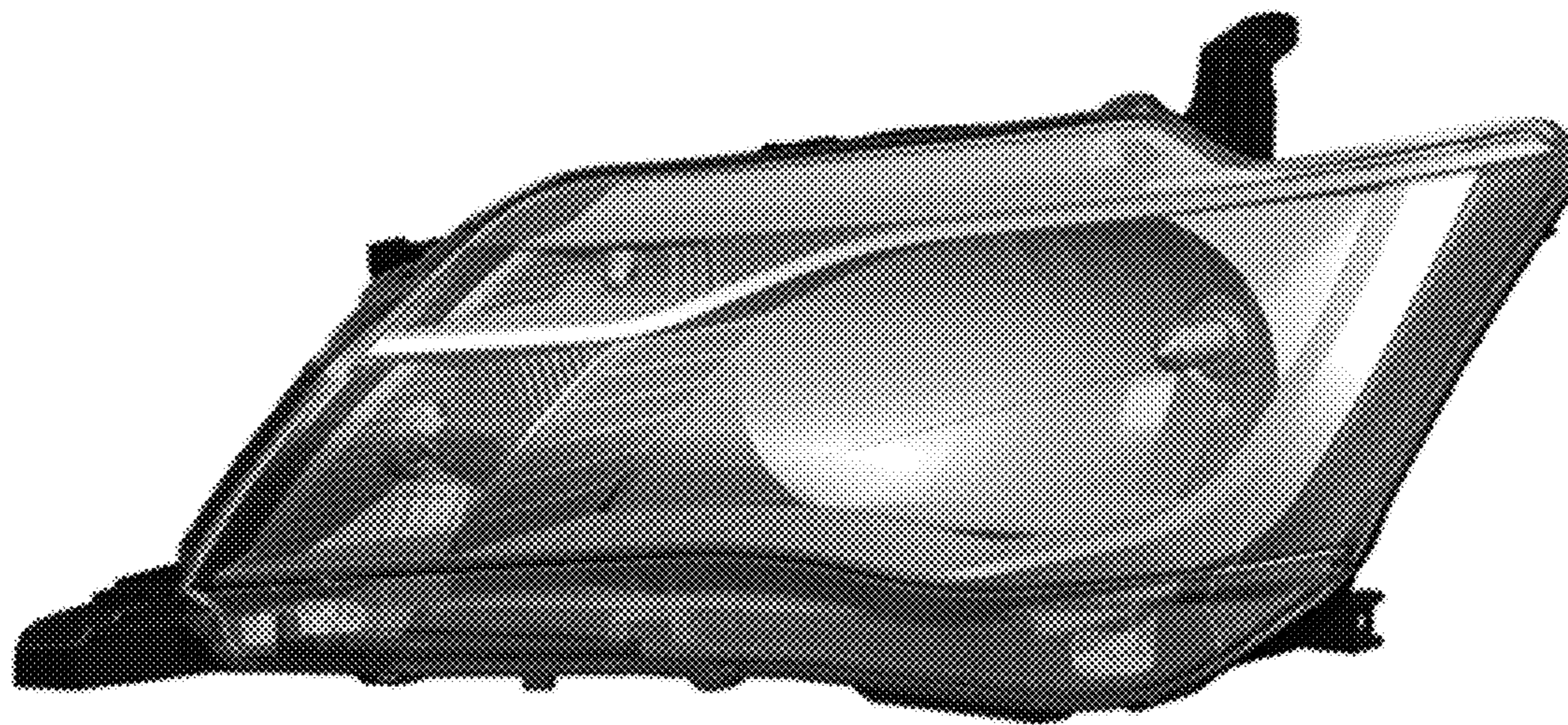
FIG. 5 is a left side view thereof;

FIG. 6 is a top plan view thereof; and,

FIG. 7 is a bottom view thereof.

The claimed design includes a mirror image of the embodiment depicted.

1 Claim, 4 Drawing Sheets



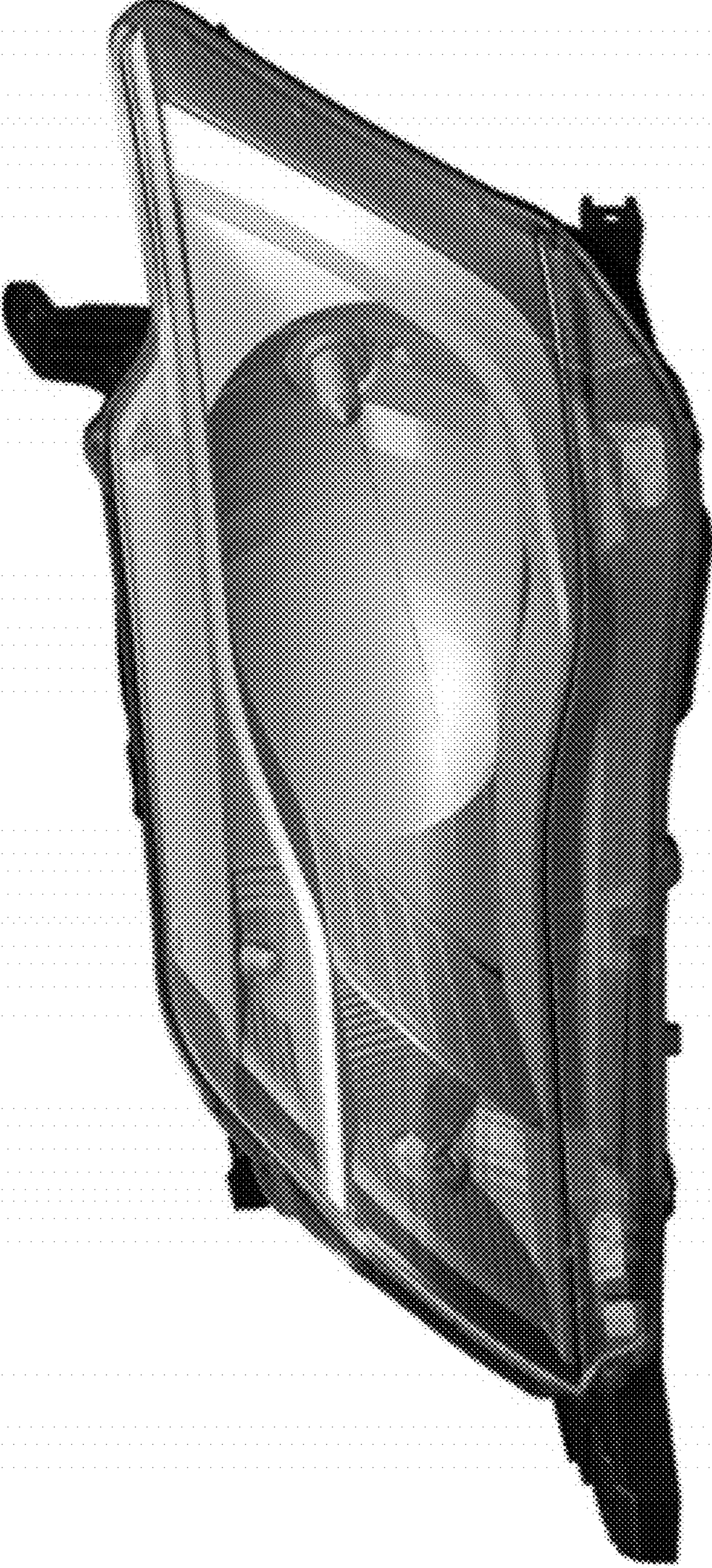


FIG. 1

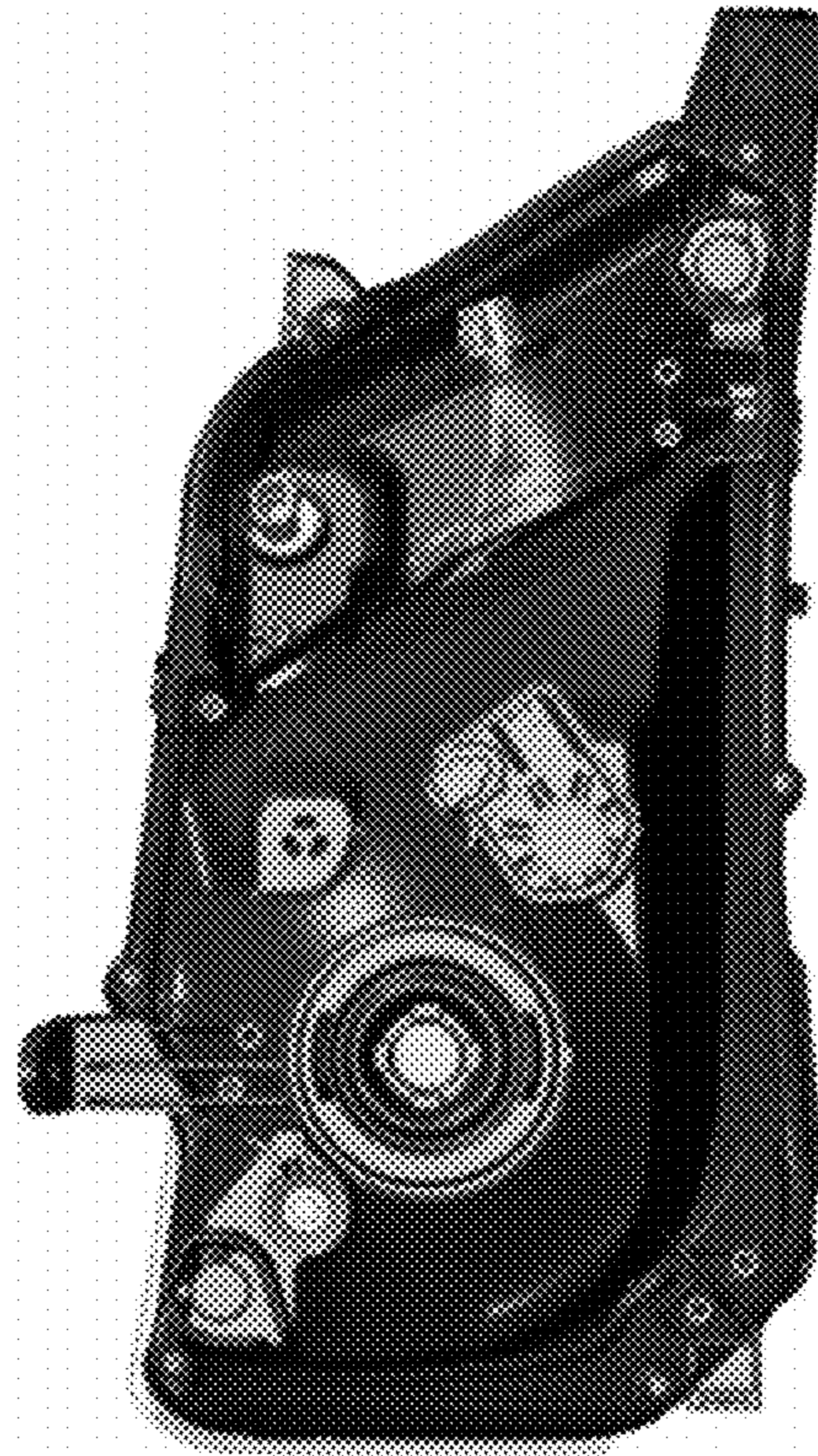


FIG. 2

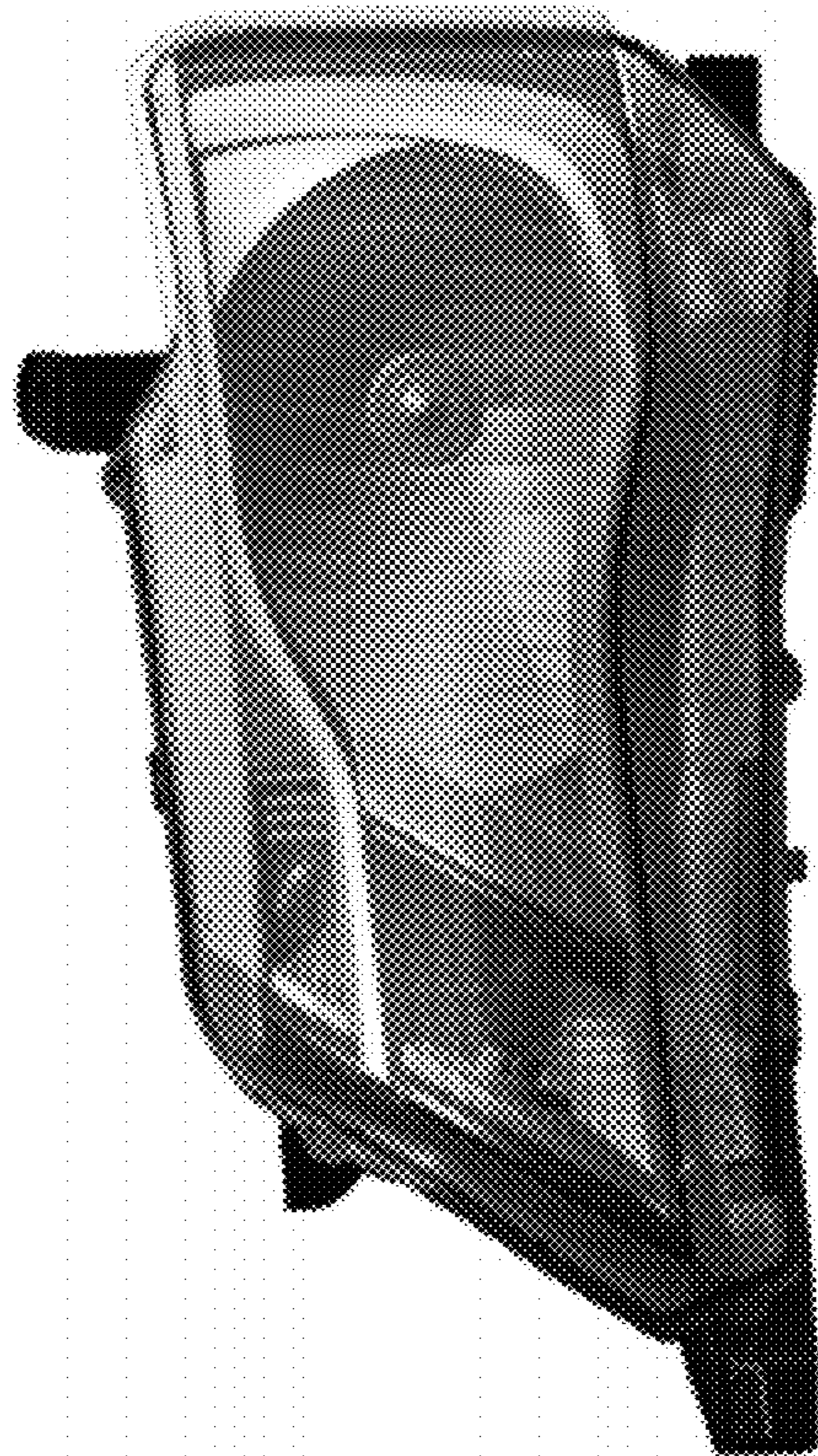


FIG. 3

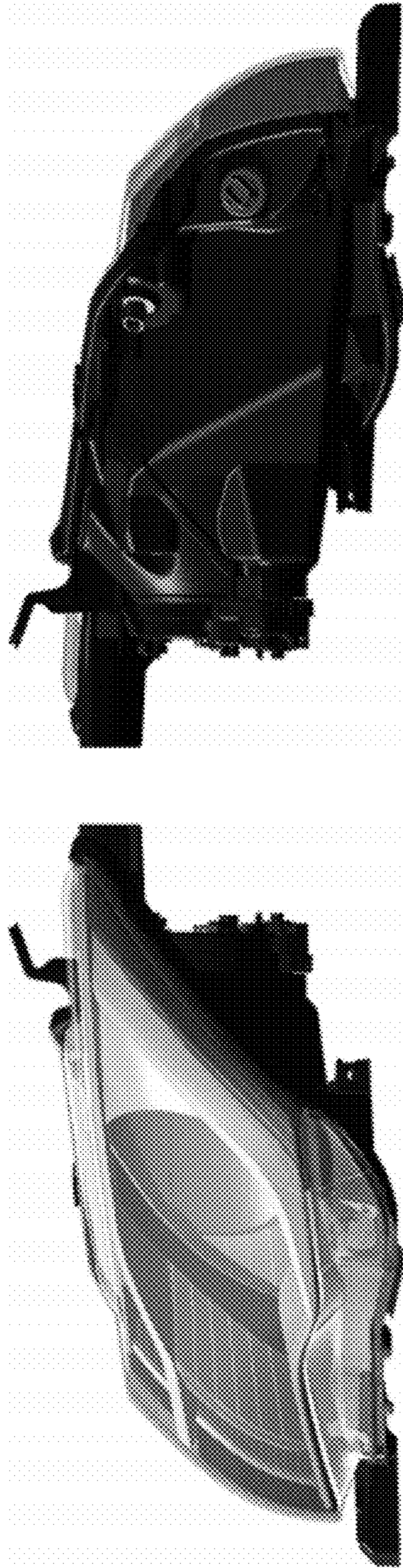


FIG. 5

FIG. 4

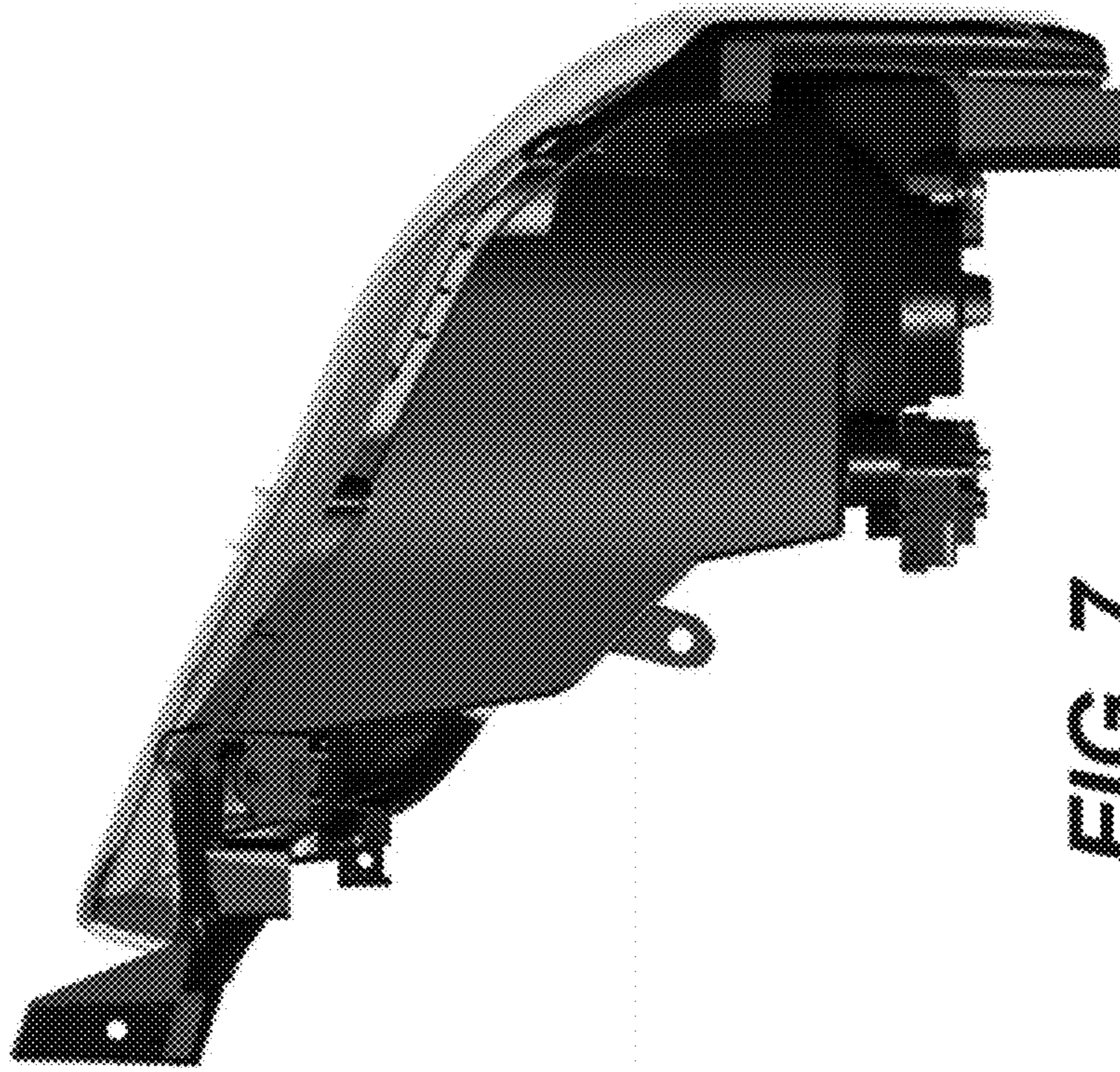


FIG. 7

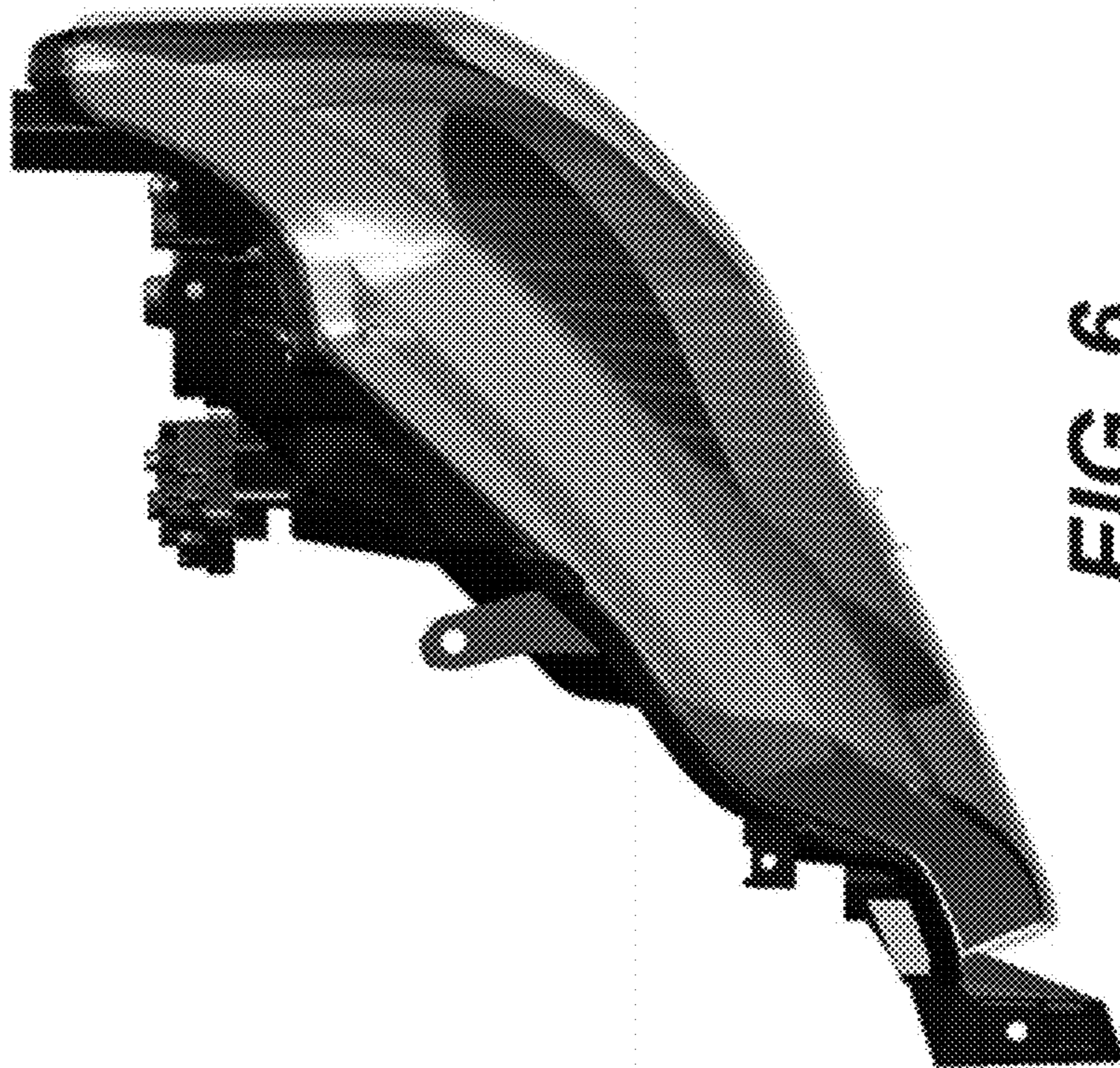


FIG. 6