



US00D666753S

(12) **United States Design Patent**
Huet

(10) **Patent No.:** **US D666,753 S**

(45) **Date of Patent:** **** Sep. 4, 2012**

(54) **TAILLIGHT FOR A VEHICLE**

Primary Examiner — Marcus Jackson

(75) Inventor: **Nicolas Huet**, Munich (DE)

(74) *Attorney, Agent, or Firm* — Crowell & Moring LLP

(73) Assignee: **Bayerische Motoren Werke
Aktiengesellschaft**, Munich (DE)

(57) **CLAIM**

(**) Term: **14 Years**

The ornamental design for a taillight for a vehicle, as shown and described.

(21) Appl. No.: **29/404,220**

(22) Filed: **Oct. 18, 2011**

DESCRIPTION

(30) **Foreign Application Priority Data**

Apr. 19, 2011 (DE) 402011002133

(51) **LOC (9) Cl.** **26-06**

(52) **U.S. Cl.** **D26/28**

(58) **Field of Classification Search** D26/28-36;
362/459-468, 475-478, 485-487

See application file for complete search history.

FIG. 1 is a left perspective view of a first embodiment of a taillight for a vehicle according to my design; FIG. 2 is a right perspective view thereof; FIG. 3 is a front view thereof; FIG. 4 is a left side view thereof; and FIG. 5 is a top view thereof. FIG. 6 is a right perspective view of a second embodiment of the taillight for a vehicle according to my design, with the taillight for a vehicle for the opposite side of the vehicle being depicted in the first embodiment; FIG. 7 is a left perspective view thereof; FIG. 8 is a front view thereof; FIG. 9 is a right side view thereof; and, FIG. 10 is a top view thereof.

The broken lines are for illustrative purposes only and form no part of the claimed design.

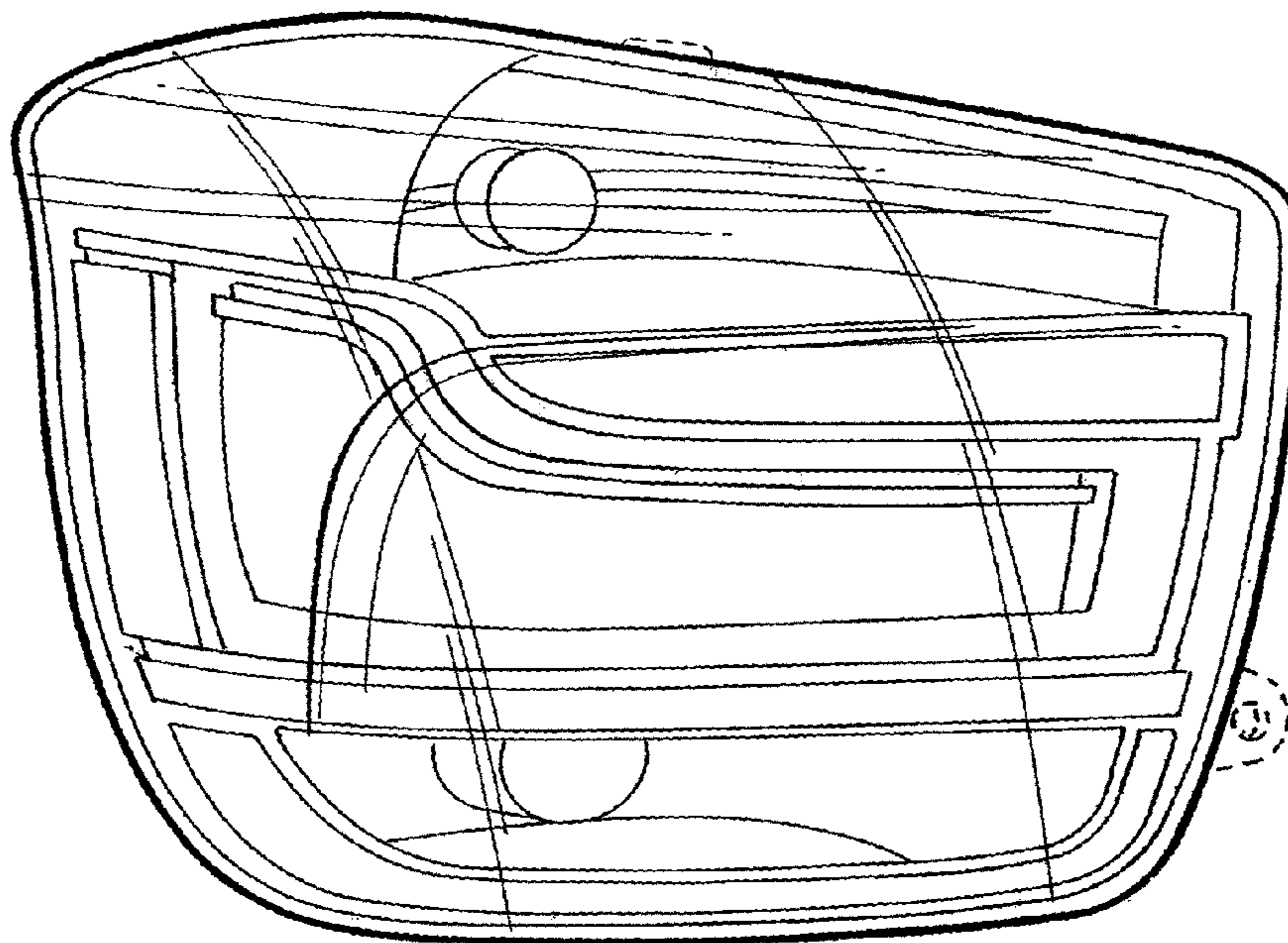
(56) **References Cited**

U.S. PATENT DOCUMENTS

D476,759 S *	7/2003	Lin	D26/28
D483,890 S *	12/2003	Lin	D26/28
D497,018 S *	10/2004	Lin	D26/28
D541,445 S *	4/2007	Lin	D26/28
D549,363 S *	8/2007	Pfeiffer	D26/28

* cited by examiner

1 Claim, 6 Drawing Sheets



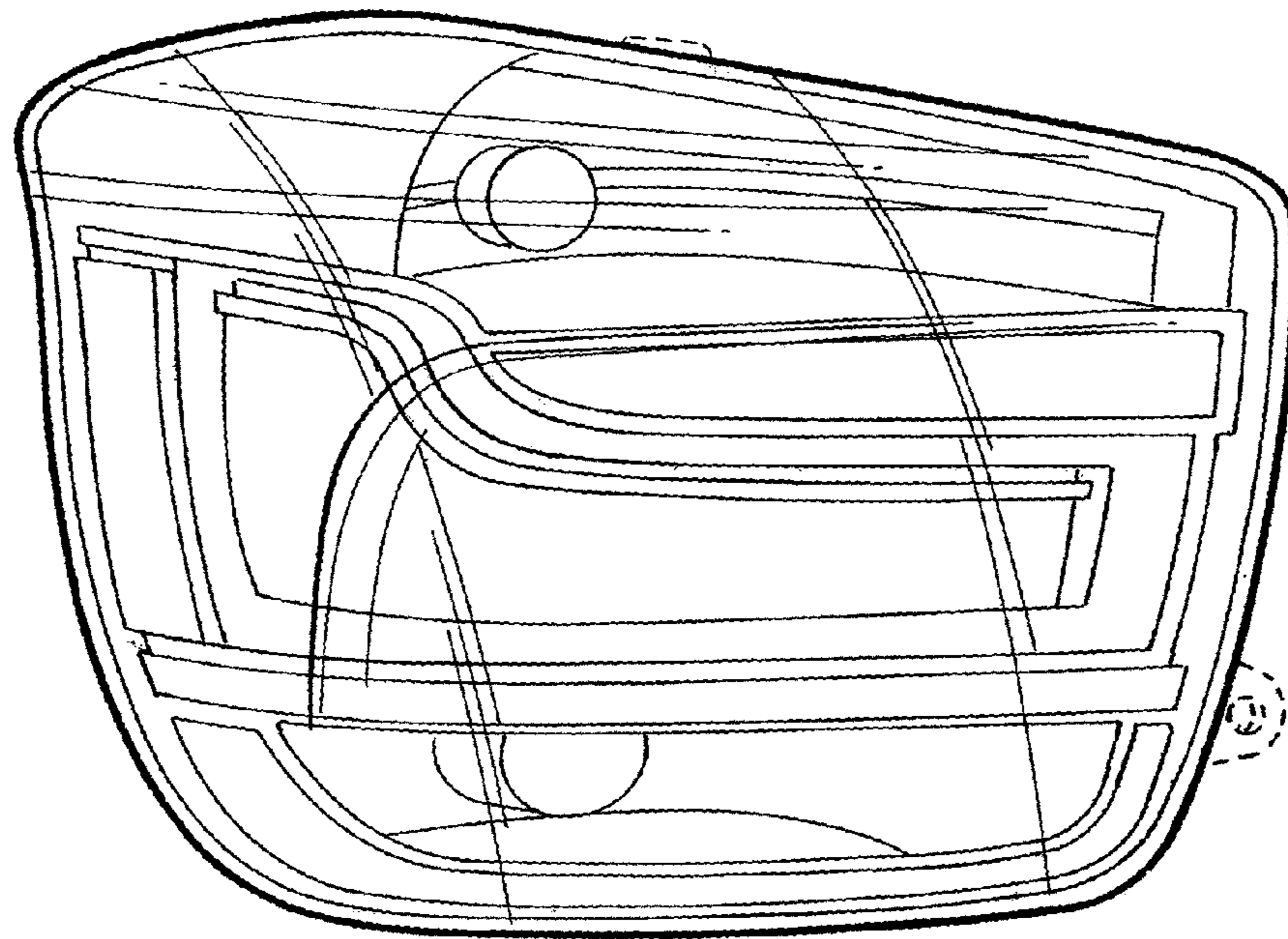


FIG. 1

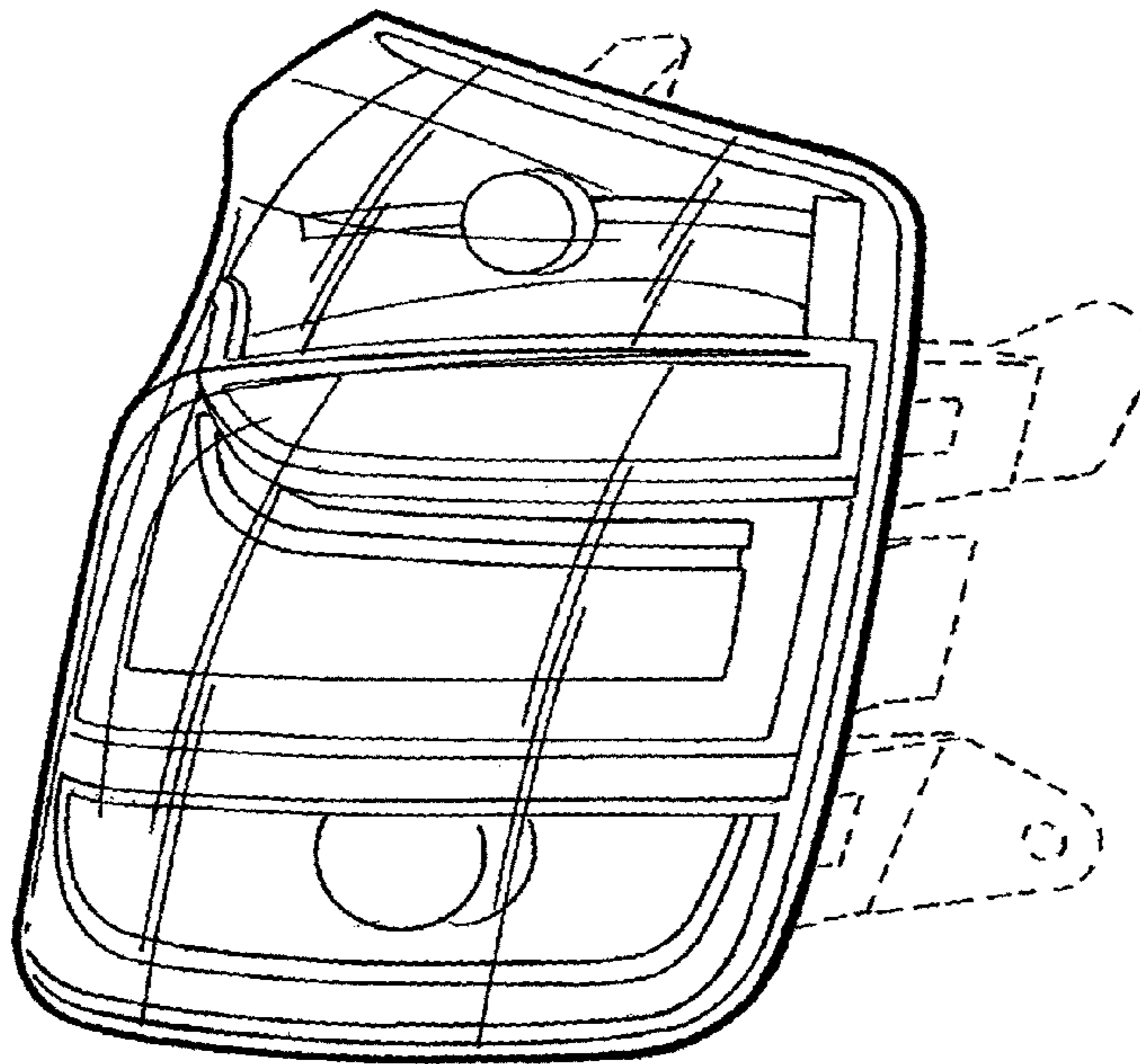


FIG. 2

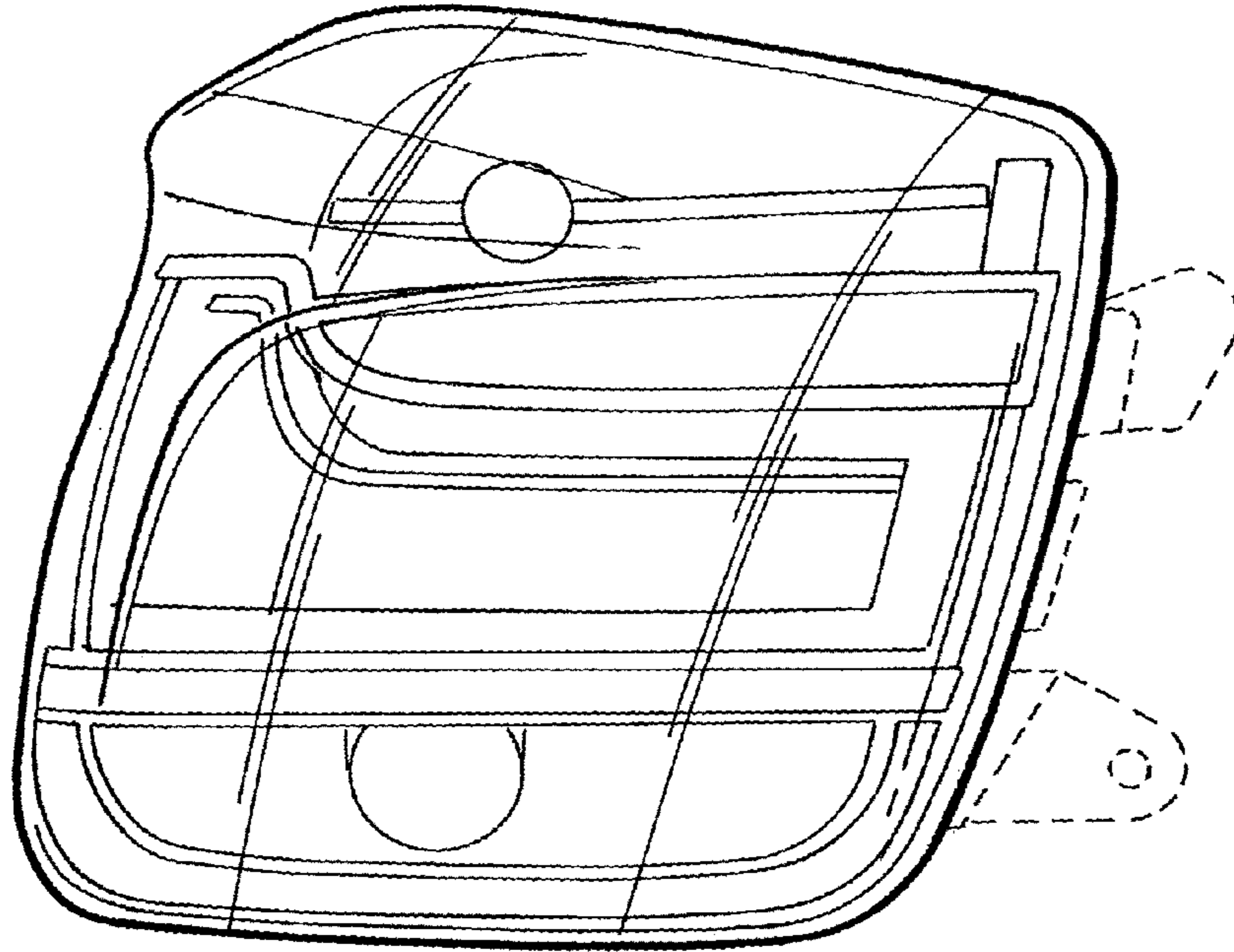


FIG. 3

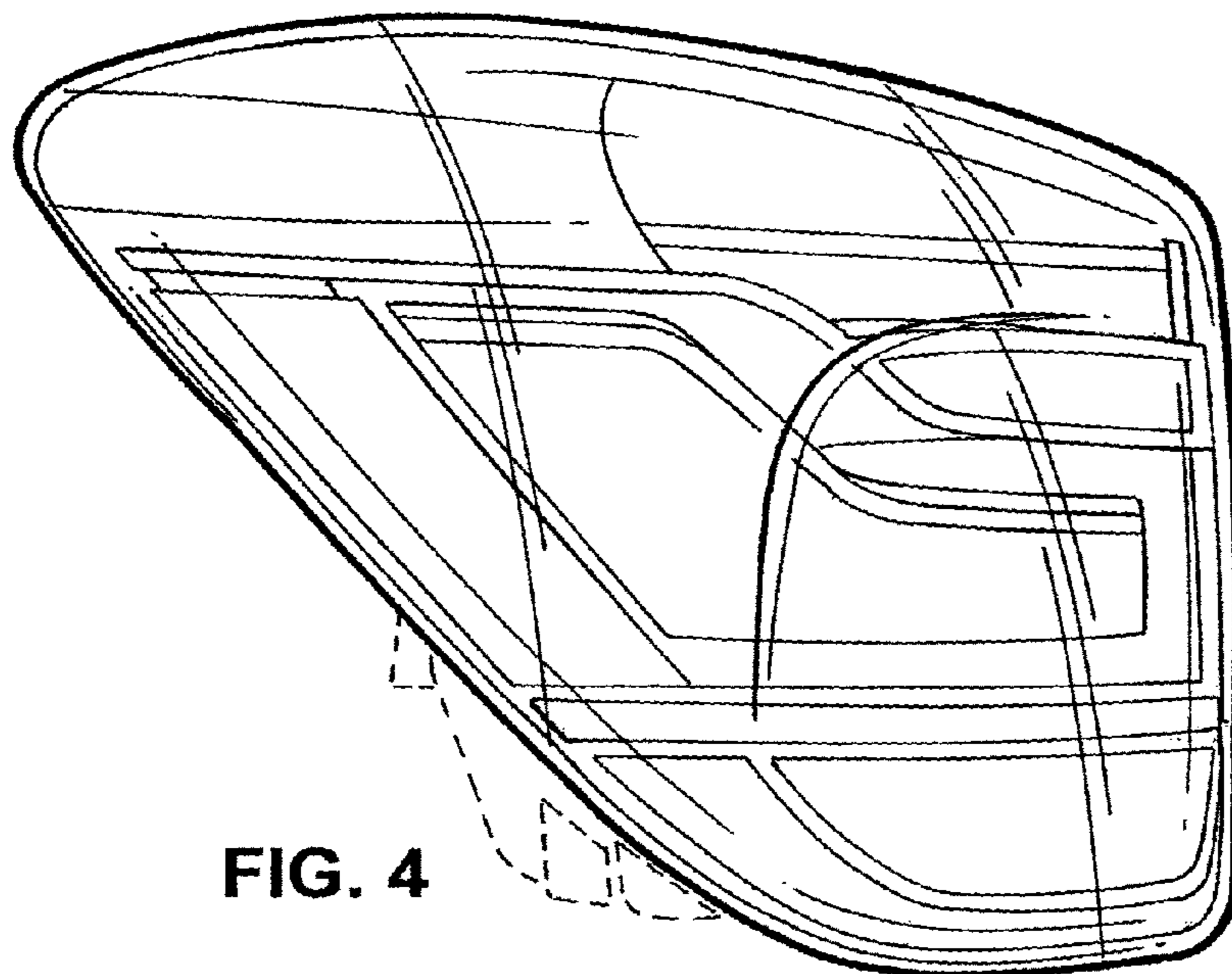


FIG. 4

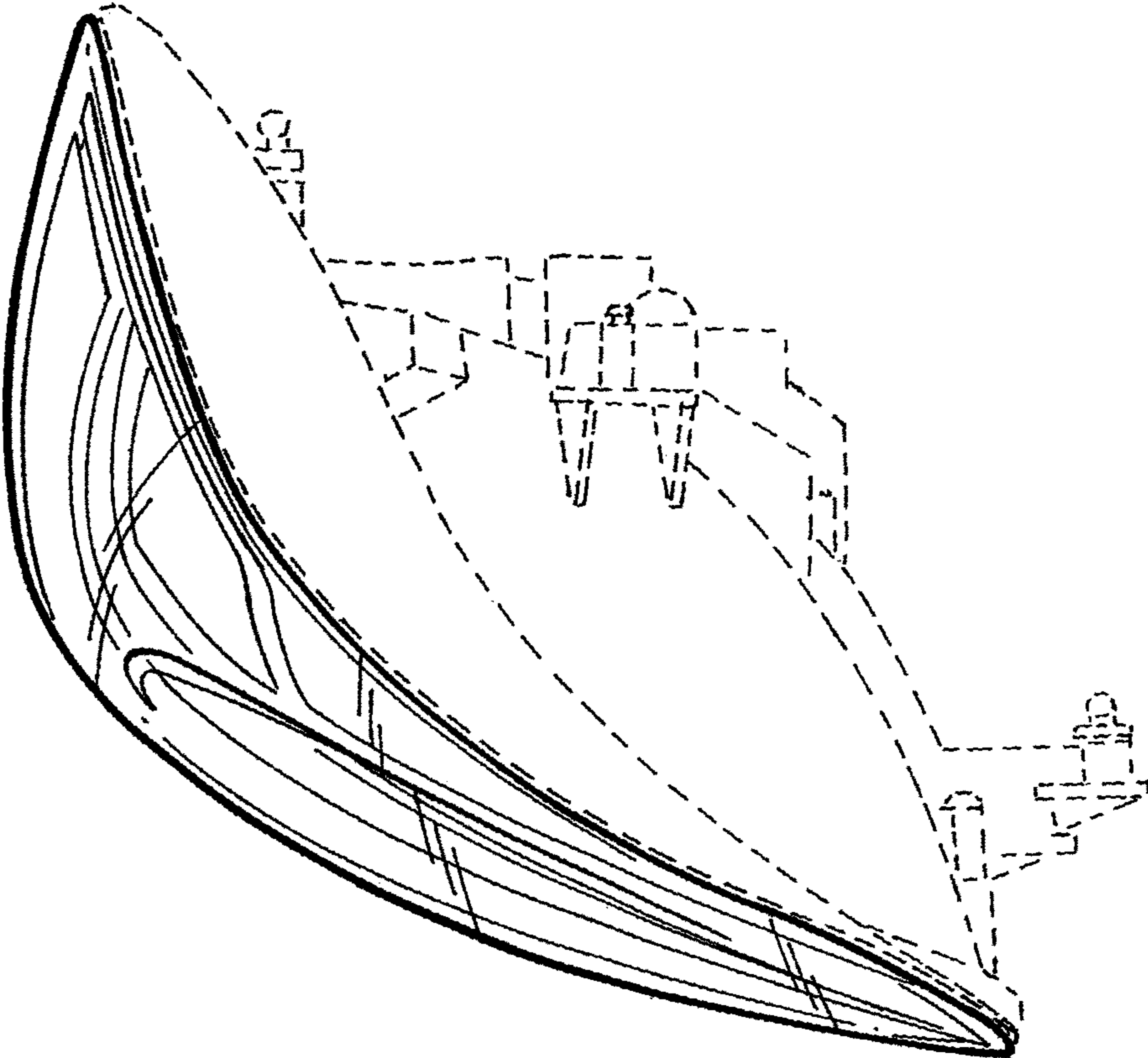


FIG. 5

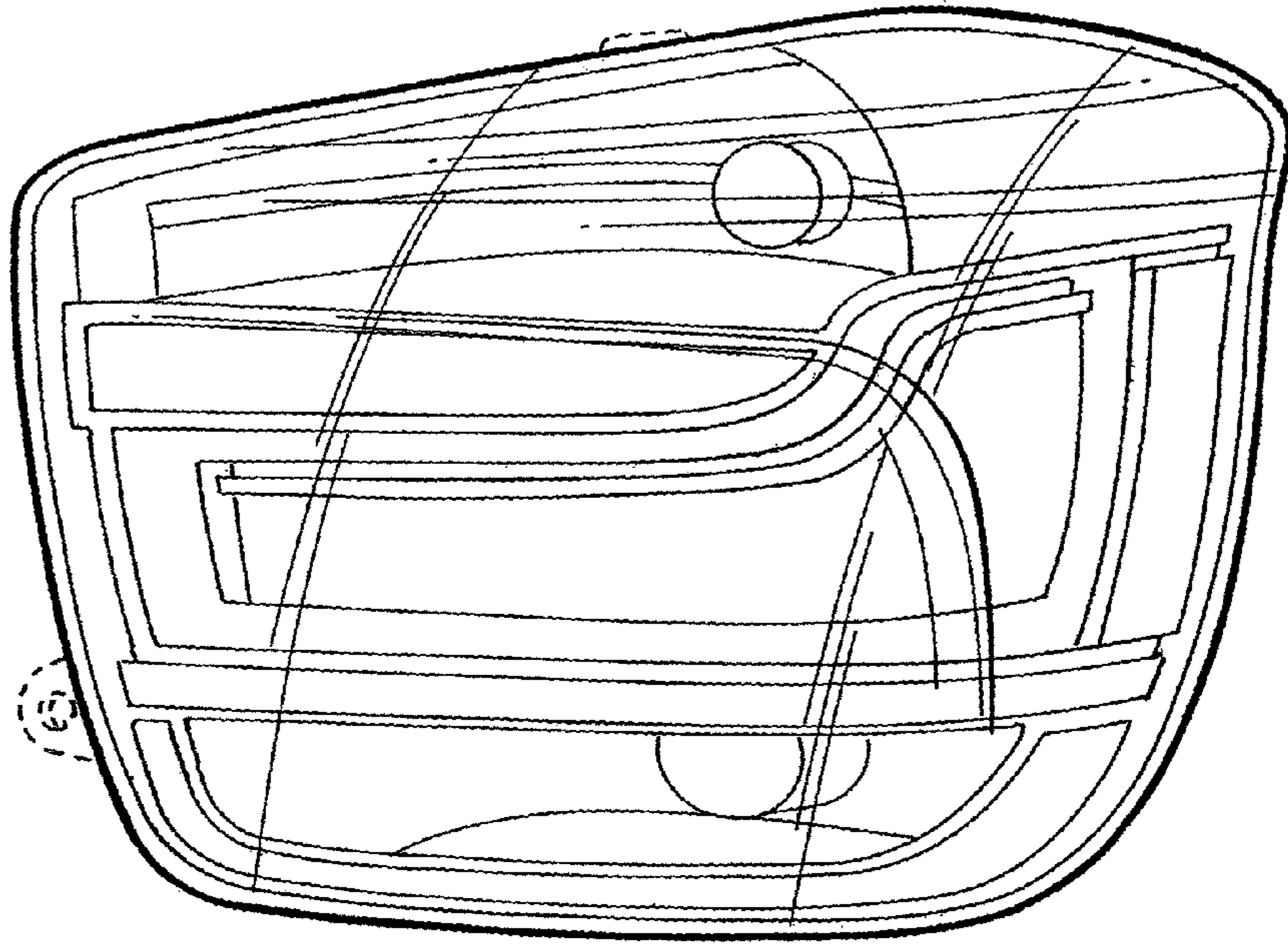


FIG. 6

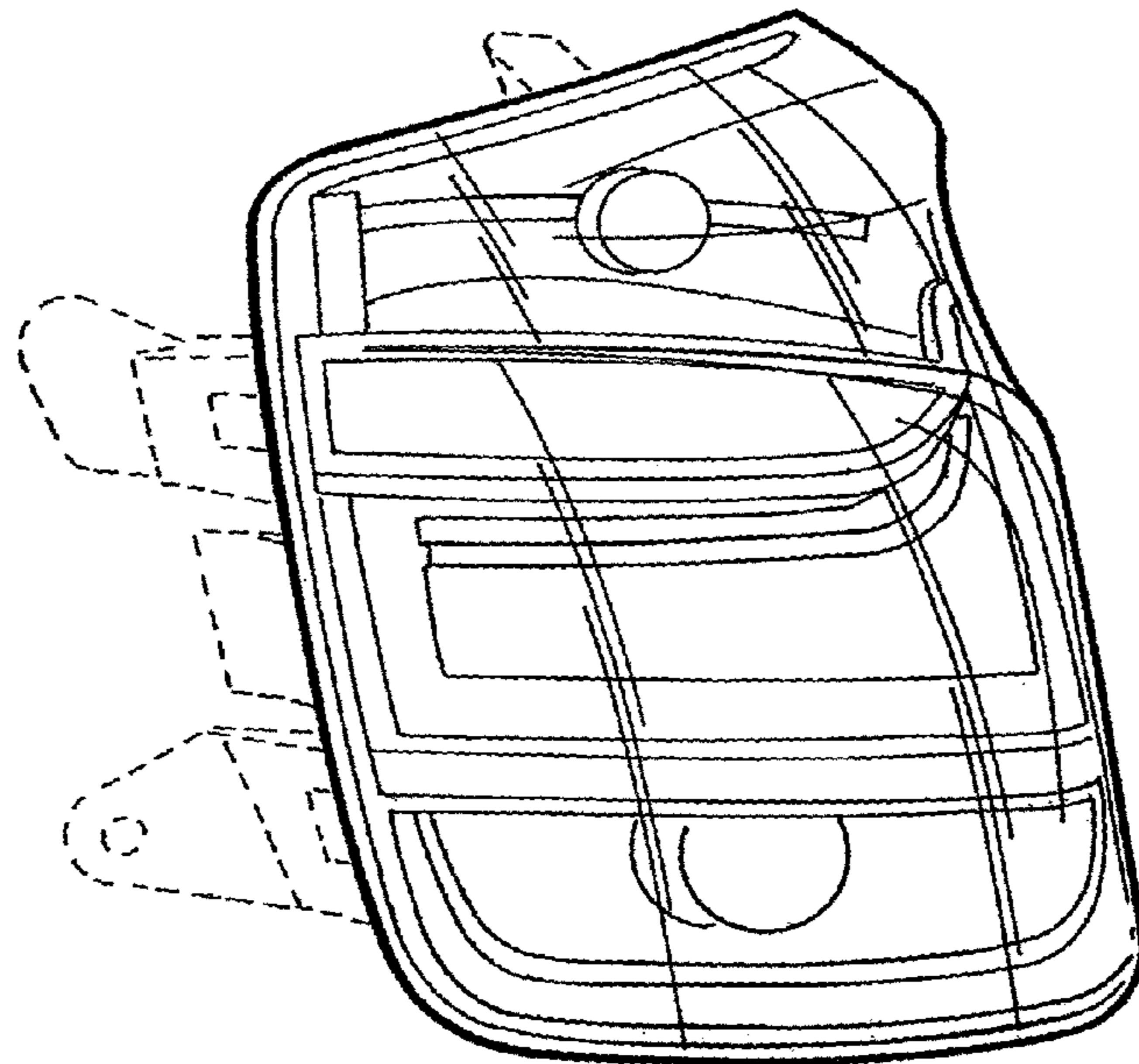


FIG. 7

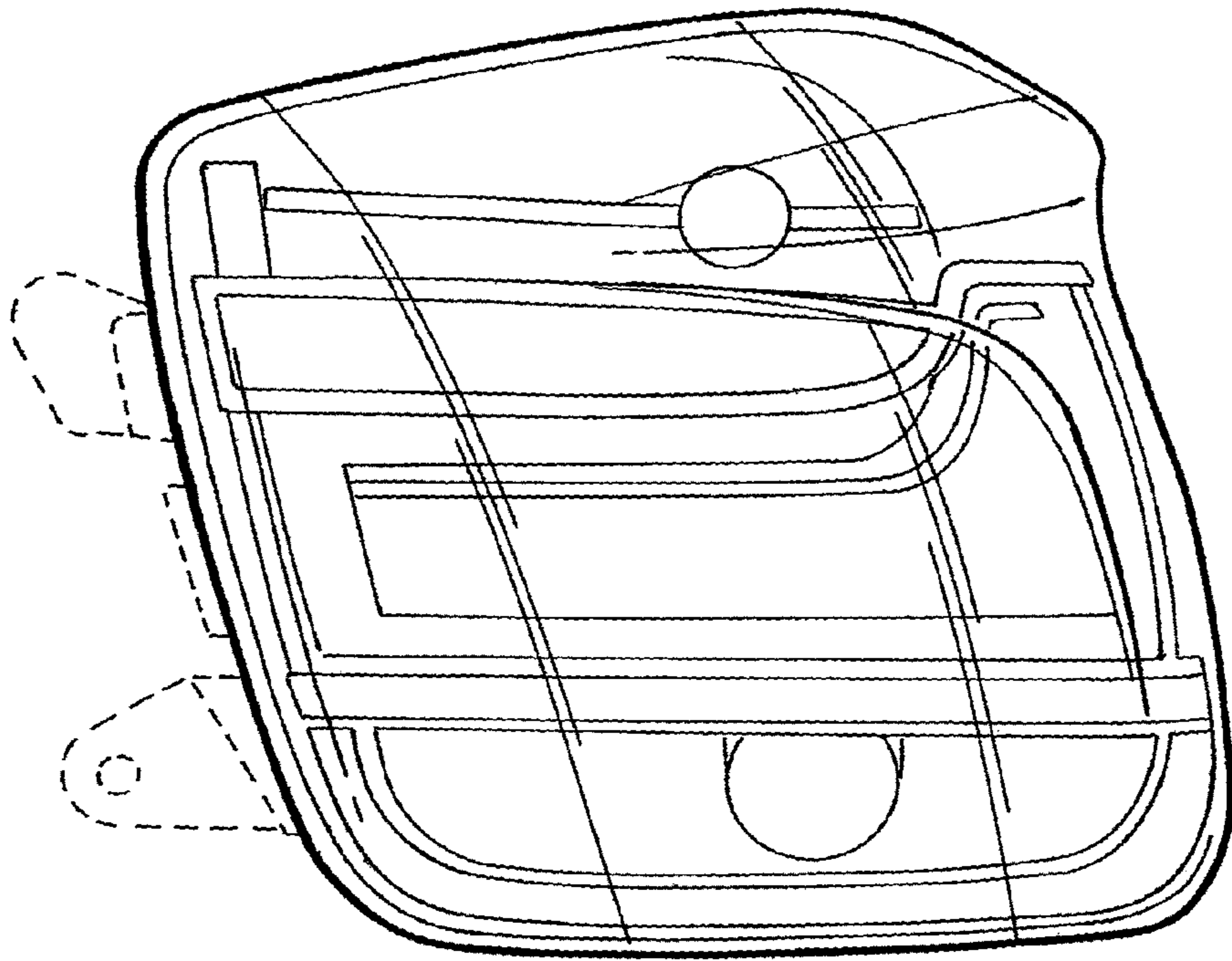


FIG. 8

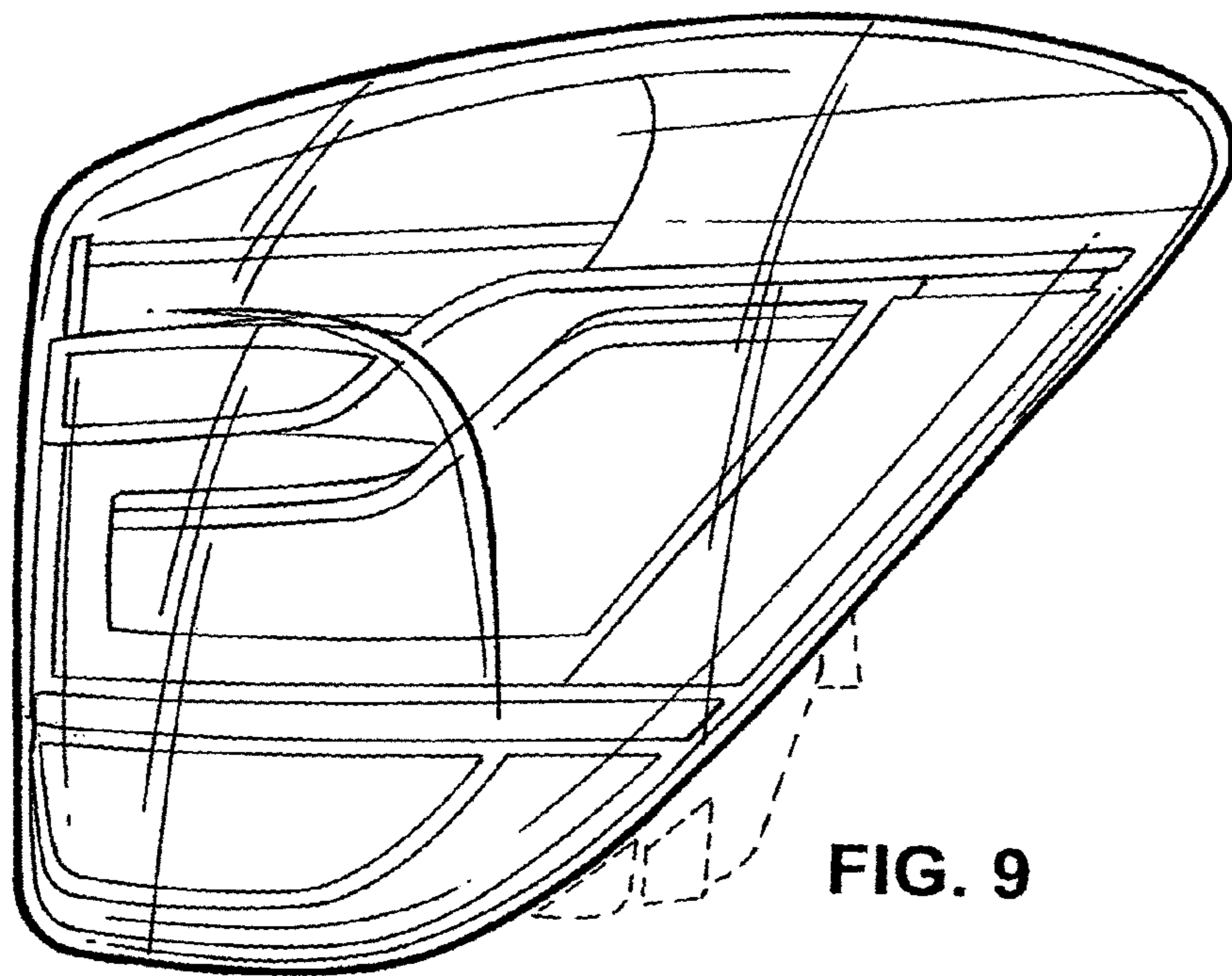


FIG. 9

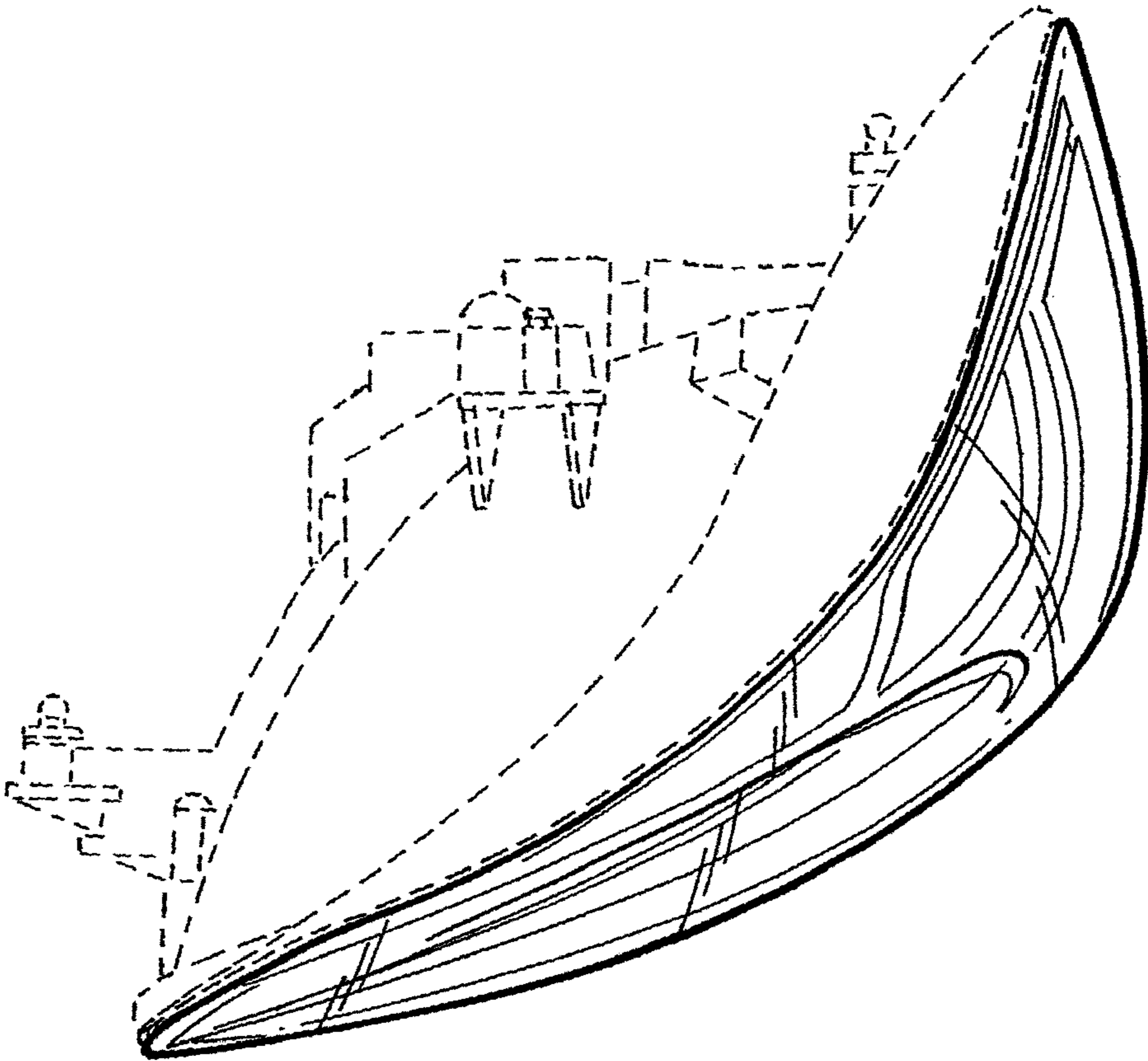


FIG. 10