

US00D666752S

(12) **United States Design Patent**
Watanabe

(10) **Patent No.:** **US D666,752 S**
(45) **Date of Patent:** **** Sep. 4, 2012**

(54) **HEADLAMP FOR AN AUTOMOBILE**

FOREIGN PATENT DOCUMENTS

(75) Inventor: **Kazuhiko Watanabe**, Atsugi (JP)

JP 1330474 S 5/2008

* cited by examiner

(73) Assignee: **Nissan Motor Co., Ltd.**, Yokohama (JP)

Primary Examiner — Marcus Jackson

(74) *Attorney, Agent, or Firm* — Global IP Counselors, LLP

(**) Term: **14 Years**

(57) **CLAIM**

The ornamental design for a headlamp for an automobile, as shown and described.

(21) Appl. No.: **29/403,028**

DESCRIPTION

(22) Filed: **Sep. 30, 2011**

(30) **Foreign Application Priority Data**

Apr. 5, 2011 (JP) 2011-007867

(51) **LOC (9) Cl.** **26-06**

(52) **U.S. Cl.** **D26/28**

(58) **Field of Classification Search** D26/28-36;
362/459-468, 475-478, 485-487

See application file for complete search history.

(56) **References Cited**

U.S. PATENT DOCUMENTS

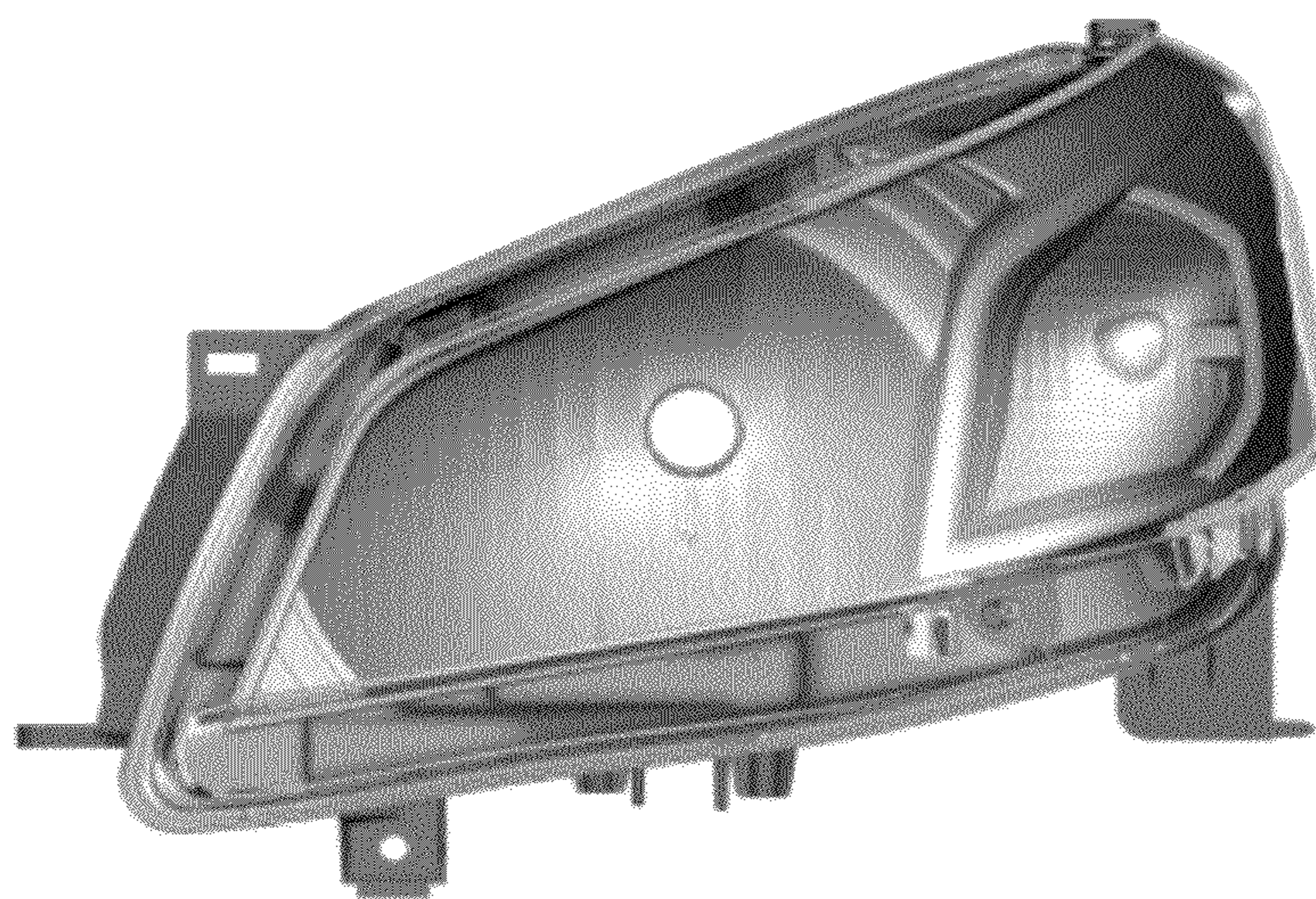
D536,113 S * 1/2007 Pfeiffer D26/28

D537,180 S * 2/2007 Hsu D26/28

D556,349 S * 11/2007 Golden et al. D26/28

FIG. 1 is a front elevational view of a headlamp for an automobile in accordance with my new design;
FIG. 2 is a rear elevational view of the headlamp in accordance with our new design of FIG. 1;
FIG. 3 is a top plan view of the headlamp in accordance with my new design of FIGS. 1 and 2;
FIG. 4 is a bottom plan view of the headlamp in accordance with my new design of FIGS. 1 to 3;
FIG. 5 is a right side elevational view of the headlamp in accordance with my new design of FIGS. 1 to 4;
FIG. 6 is a left side elevational view of the headlamp in accordance with my new design of FIGS. 1 to 5; and
FIG. 7 is a front side perspective view of the headlamp in accordance with my new design of FIGS. 1 to 6; and,
FIG. 8 is a front side perspective view of the headlamp in accordance with my new design of FIGS. 1 to 6, but with the lens of the headlamp removed to better illustrate interior design features of the headlamp.

1 Claim, 8 Drawing Sheets



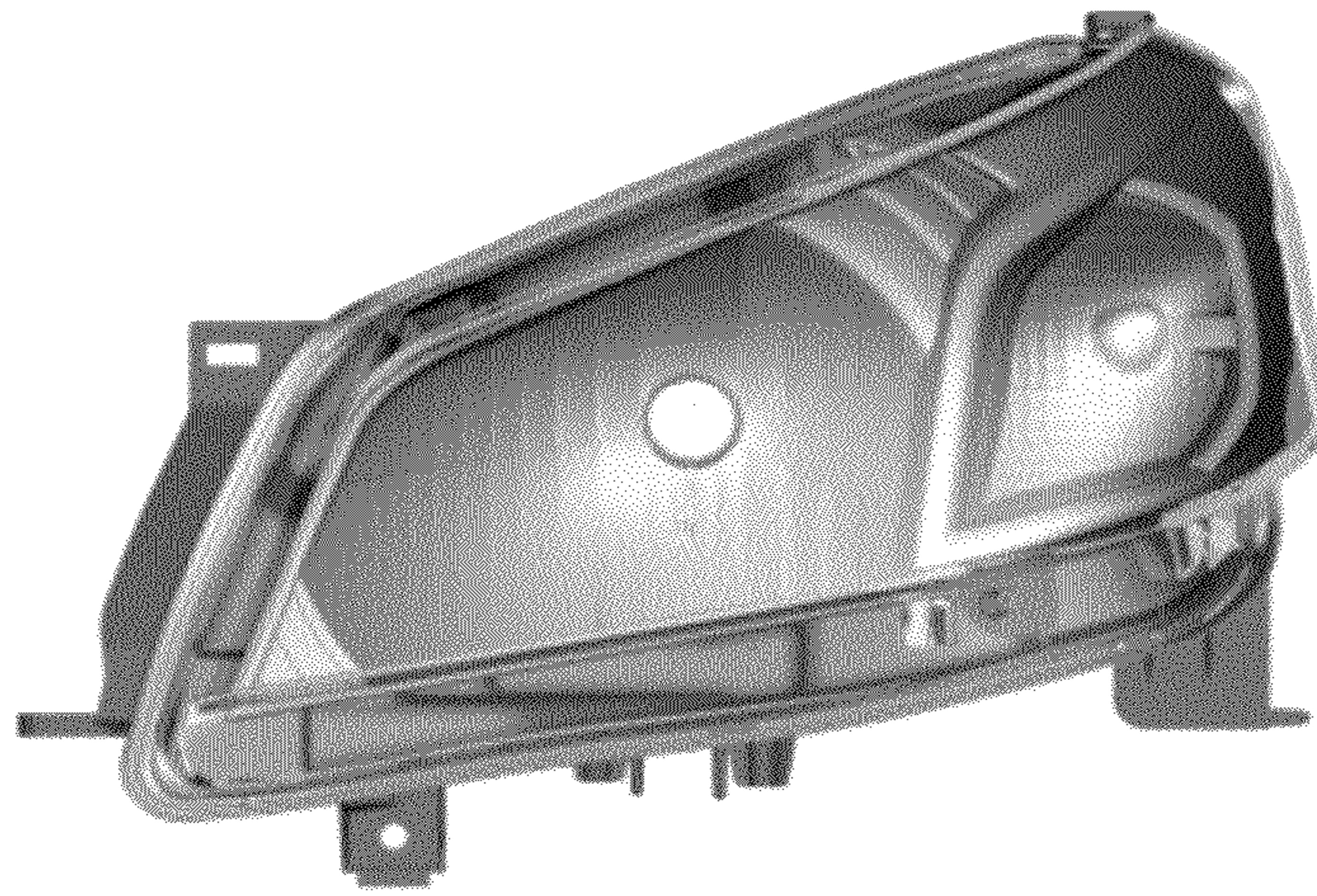


FIG. 1

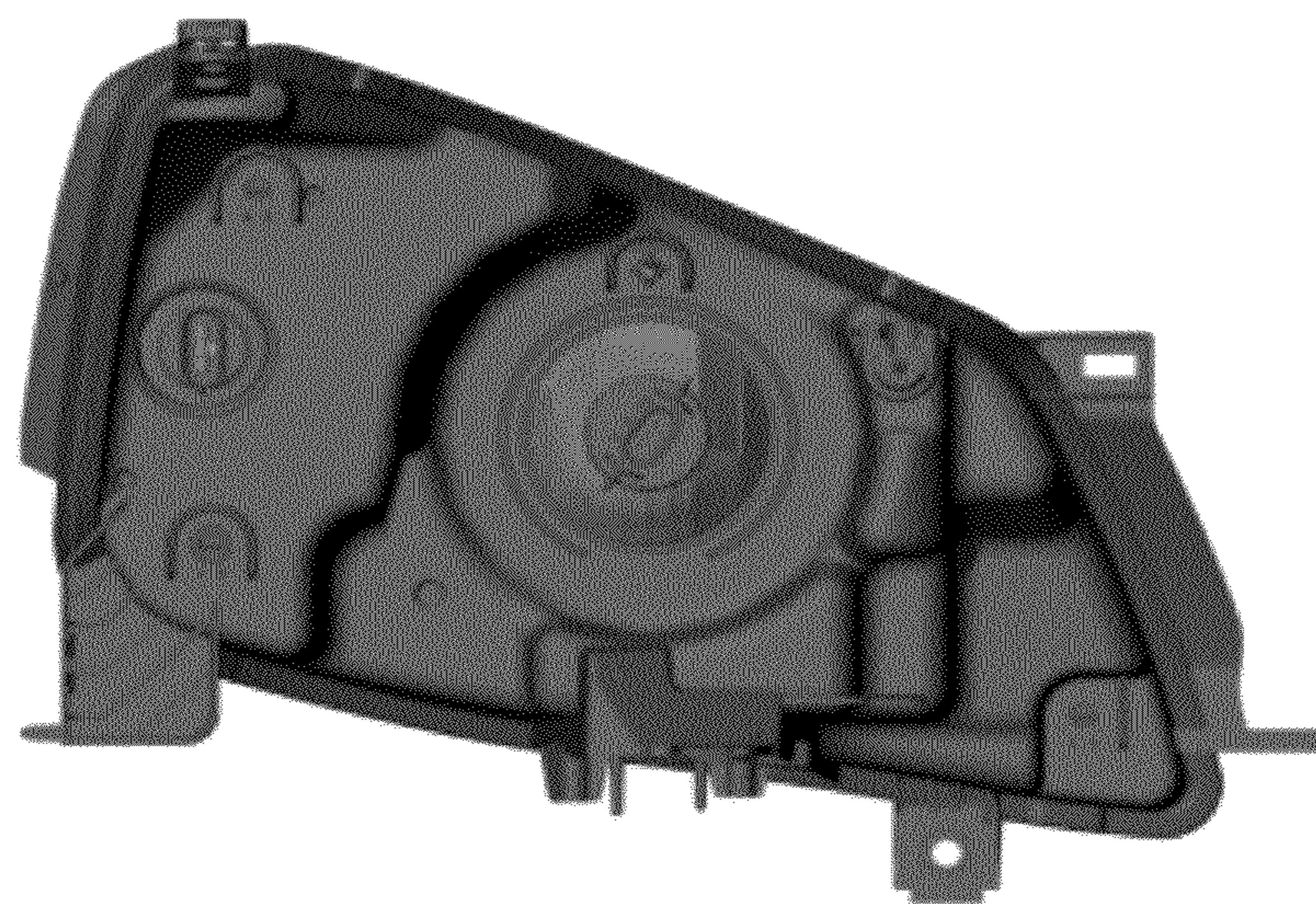


FIG. 2



FIG. 3

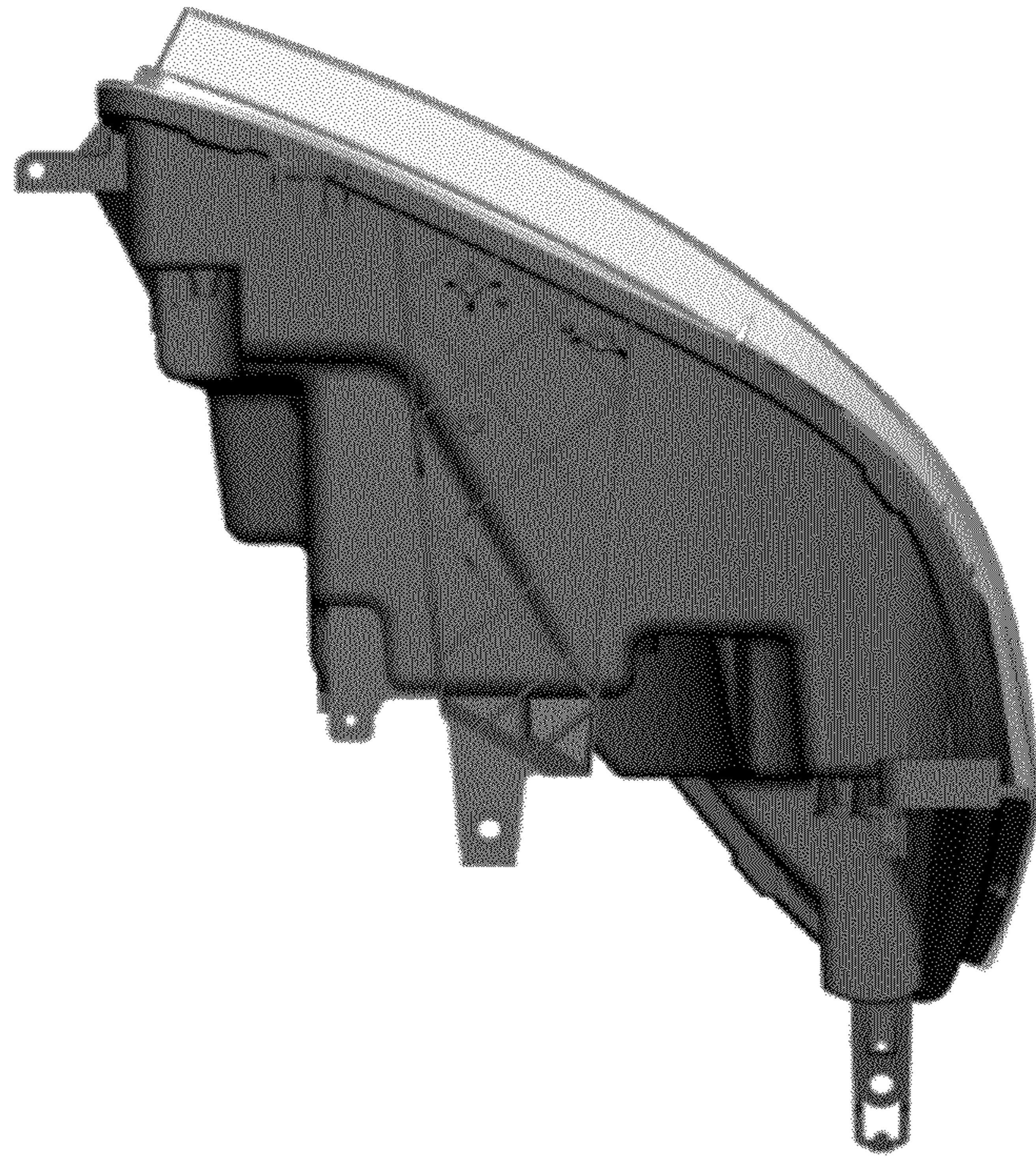


FIG. 4

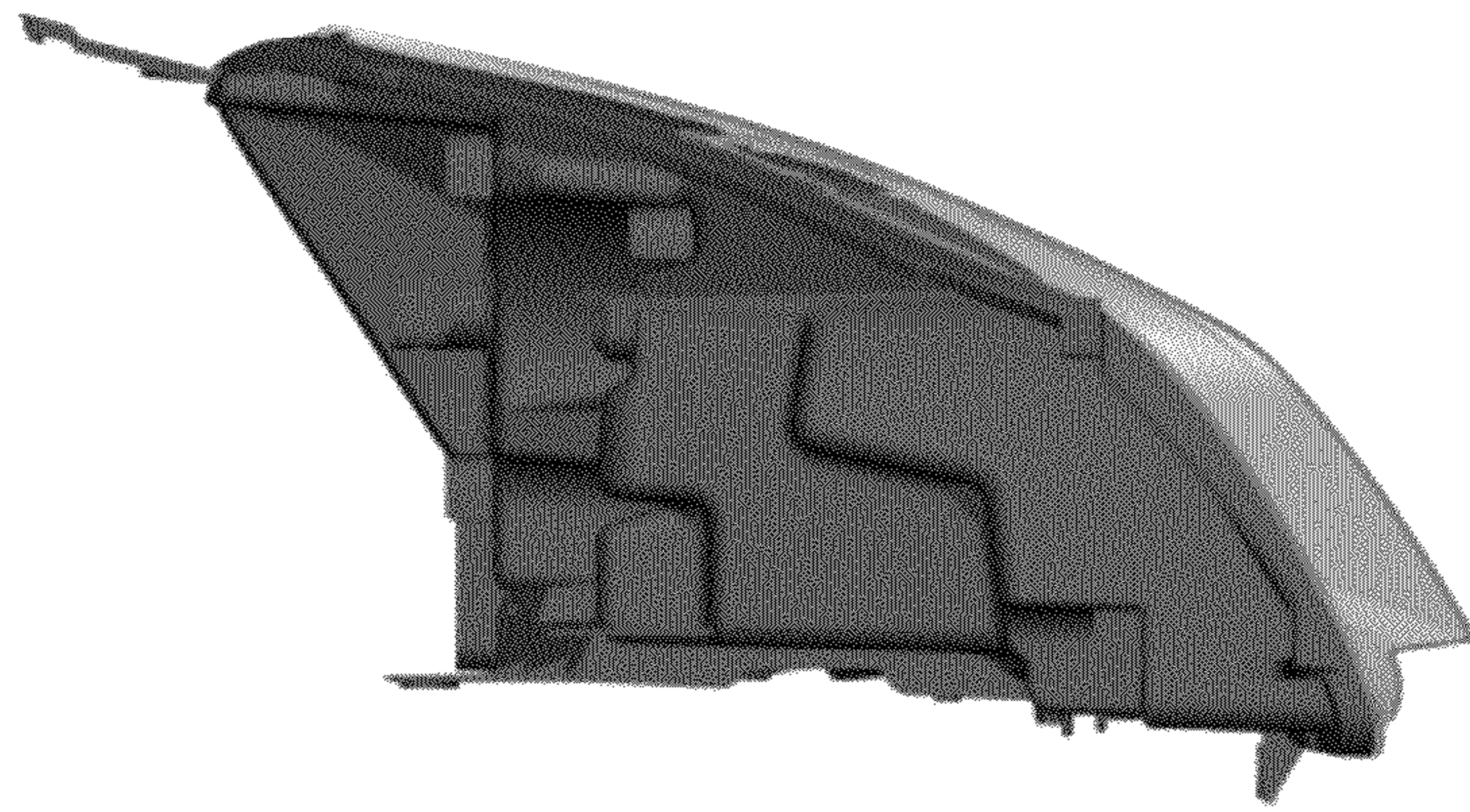


FIG. 5

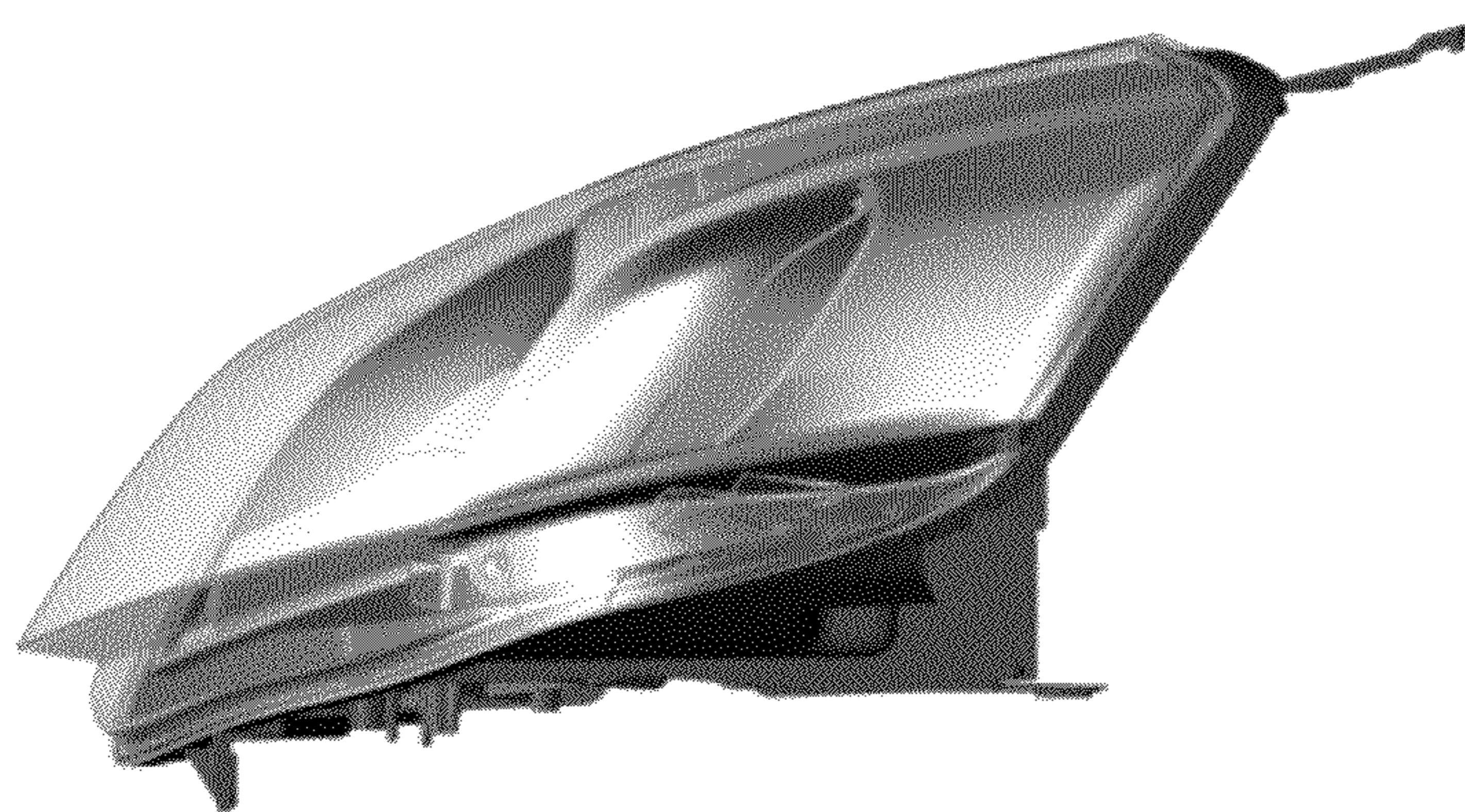


FIG. 6



FIG. 7



FIG. 8