

US00D666750S

(12) **United States Design Patent**
Maxik et al.

(10) **Patent No.:** **US D666,750 S**
(45) **Date of Patent:** **** Sep. 4, 2012**

(54) **LUMINAIRE**

FOREIGN PATENT DOCUMENTS

(75) Inventors: **Fredric Maxik**, Indialantic, FL (US);
David Bartine, Cocoa, FL (US); **Robert Soler**, Cocoa Beach, FL (US); **Addy Widjaja**, Palm Bay, FL (US); **Mark Oostdyk**, Cape Canaveral, FL (US); **Ran Zhou**, Melbourne, FL (US)

WO 2006118457 11/2006
(Continued)

OTHER PUBLICATIONS

<http://img.diytrade.com/cdimg/395588/7678937/...> <http://images.google.com/imgres?imgurl=http://img.diytrade.com/cdimg/3...>

(Continued)

(73) Assignee: **Lighting Science Group Corporation**,
Satellite Beach, FL (US)

Primary Examiner — Marcus Jackson

(**) Term: **14 Years**

(74) *Attorney, Agent, or Firm* — Cantor Colburn LLP

(21) Appl. No.: **29/413,186**

(57) **CLAIM**

We claim, the ornamental design for a luminaire, as shown and described.

(22) Filed: **Feb. 13, 2012**

(51) **LOC (9) Cl.** **26-04**

(52) **U.S. Cl.** **D26/2**

(58) **Field of Classification Search** D26/1-4;
313/313, 315, 316, 317, 318, 493; 315/52,
315/53, 56, 57, 58

DESCRIPTION

See application file for complete search history.

FIG. 1 is a top perspective view of an embodiment of the invention;

FIG. 2 is a side view of the embodiment of FIG. 1, the luminaire being symmetric about a center axis;

FIG. 3 is a top view of the embodiment of FIG. 1; and,

FIG. 4 is a bottom view of the embodiment of FIG. 1.

The phantom lines shown in FIG. 1-4 are environmental and not part of the claimed design.

The surface treatment of the luminaire forms no part of the claimed design; a luminaire according to the claimed design may have any surface treatment.

The color of the luminaire forms no part of the claimed design; a luminaire according to the claimed design may be of any color or combination of colors.

References to “top”, “bottom” and “side” in the figure descriptions are not meant to require certain in-use orientation, a luminaire according to the claimed design may be used in any orientation.

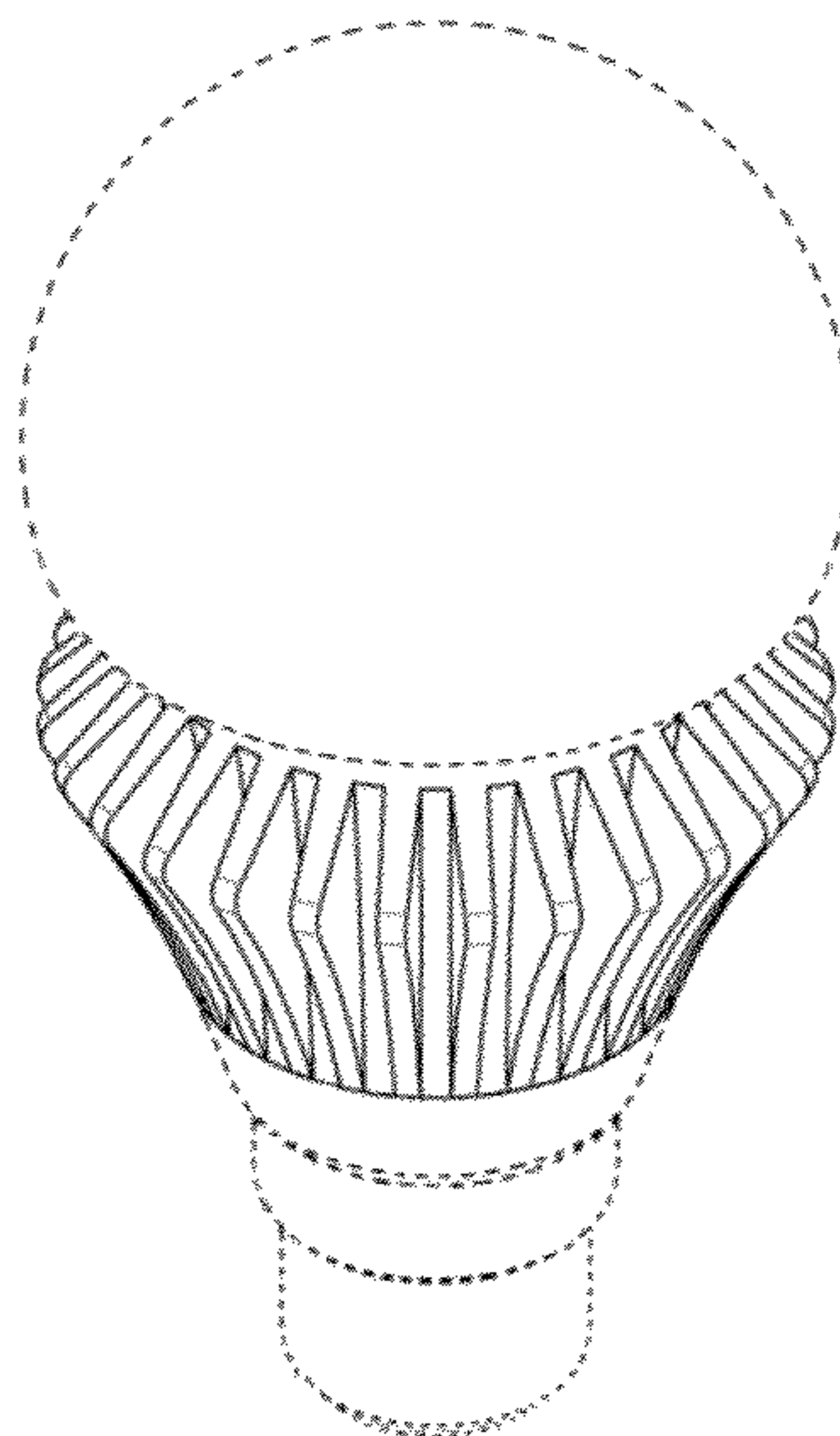
(56) **References Cited**

U.S. PATENT DOCUMENTS

4,375,607	A	3/1983	Morton et al.
4,392,076	A	7/1983	Ishler et al.
D271,424	S	11/1983	Young et al.
D307,805	S	5/1990	Noe
D321,260	S	10/1991	Bowman
5,458,505	A	10/1995	Prager
D391,006	S	2/1998	Yang
5,791,769	A	8/1998	Yang
D470,610	S	2/2003	Bobel
6,515,433	B1	2/2003	Ge et al.
D480,486	S	10/2003	Kakuno et al.
6,655,823	B2	12/2003	Chang
6,786,625	B2	9/2004	Wesson

(Continued)

1 Claim, 3 Drawing Sheets



US D666,750 S

Page 2

U.S. PATENT DOCUMENTS

D497,439 S 10/2004 Shaw et al.
 6,848,812 B1 2/2005 Hsieh
 D508,575 S 8/2005 Buschmann et al.
 D516,229 S 2/2006 Tang
 D527,119 S 8/2006 Maxik et al.
 D528,227 S 9/2006 Chou et al.
 D528,673 S 9/2006 Maxik et al.
 D531,741 S 11/2006 Takahashi
 D534,665 S 1/2007 Egawa et al.
 D538,950 S 3/2007 Maxik
 D538,951 S 3/2007 Maxik et al.
 D538,952 S 3/2007 Maxik et al.
 D541,957 S 5/2007 Wang
 D545,457 S 6/2007 Chen
 7,226,189 B2 6/2007 Lee et al.
 D560,286 S 1/2008 Maxik et al.
 D566,300 S 4/2008 Lo
 7,367,688 B1 5/2008 Bucher et al.
 D570,504 S 6/2008 Maxik et al.
 D570,505 S 6/2008 Maxik et al.
 D572,358 S 7/2008 Natrass et al.
 D572,385 S 7/2008 Mazzochette et al.
 7,434,964 B1 10/2008 Zheng et al.
 D581,554 S 11/2008 To et al.
 D581,583 S 11/2008 Peng
 7,448,772 B2 11/2008 Hampton
 D584,837 S 1/2009 Mazzochette et al.
 D586,497 S 2/2009 Wu et al.
 7,513,653 B1 4/2009 Liu et al.
 D593,222 S 5/2009 To et al.
 D594,143 S 6/2009 Montagnat et al.
 D594,995 S 6/2009 Komar
 D595,893 S 7/2009 Maxik et al.
 D597,704 S 8/2009 Peng
 D600,850 S 9/2009 Maxik et al.
 D601,276 S 9/2009 Grajcar
 D601,277 S 9/2009 Grajcar
 D601,278 S 9/2009 Takahashi
 D601,279 S 9/2009 Ou et al.
 D607,586 S 1/2010 Ko
 D608,478 S 1/2010 Maxik et al.
 D610,271 S 2/2010 Bi
 D610,722 S 2/2010 Bi
 D612,956 S 3/2010 Moon

D613,433 S 4/2010 Moon
 D615,220 S * 5/2010 Crane et al. D26/2
 7,717,590 B1 5/2010 Li
 D617,915 S 6/2010 Wada et al.
 D618,369 S 6/2010 Lee et al.
 D620,153 S 7/2010 Wang et al.
 D623,777 S 9/2010 Moon et al.
 D623,778 S 9/2010 Moon et al.
 D623,779 S 9/2010 Wang et al.
 D624,214 S 9/2010 Thomas et al.
 D624,215 S 9/2010 Moon et al.
 D624,669 S 9/2010 Tsai
 D625,437 S 10/2010 Zhang et al.
 D626,260 S 10/2010 Wei
 D626,667 S 11/2010 Jonsson et al.
 D627,087 S 11/2010 Jonsson et al.
 D628,322 S 11/2010 Sakai et al.
 D628,720 S 12/2010 Wang
 D629,129 S 12/2010 Lin et al.
 D629,930 S 12/2010 Cotter et al.
 D634,031 S 3/2011 de Visser et al.
 D634,037 S 3/2011 Jeong et al.
 D635,105 S 3/2011 Maxik et al.
 D652,564 S 1/2012 Maxik
 D654,192 S 2/2012 Maxik et al.
 D658,791 S 5/2012 Maxik et al.
 D659,266 S 5/2012 Maxik et al.
 D660,990 S * 5/2012 Le et al. D26/2
 2006/0215408 A1 9/2006 Lee
 2007/0285926 A1 12/2007 Maxik
 2008/0253125 A1 10/2008 Kang et al.
 2009/0141500 A1 6/2009 Peng
 2009/0296402 A1 12/2009 Chang et al.
 2010/0027270 A1 2/2010 Huang et al.
 2010/0091487 A1 4/2010 Shin

FOREIGN PATENT DOCUMENTS

WO 2008113837 A2 9/2008

OTHER PUBLICATIONS

SP-E27 LB60 Nicha / Cree LED Lamp, posted Dec. 18, 2008, http://www.diytrade.com/china/4/products/4950147/SP-E27_LB60_Nicha_Cree_LED_Lamp.html, accessed Jun. 30, 2009.

* cited by examiner

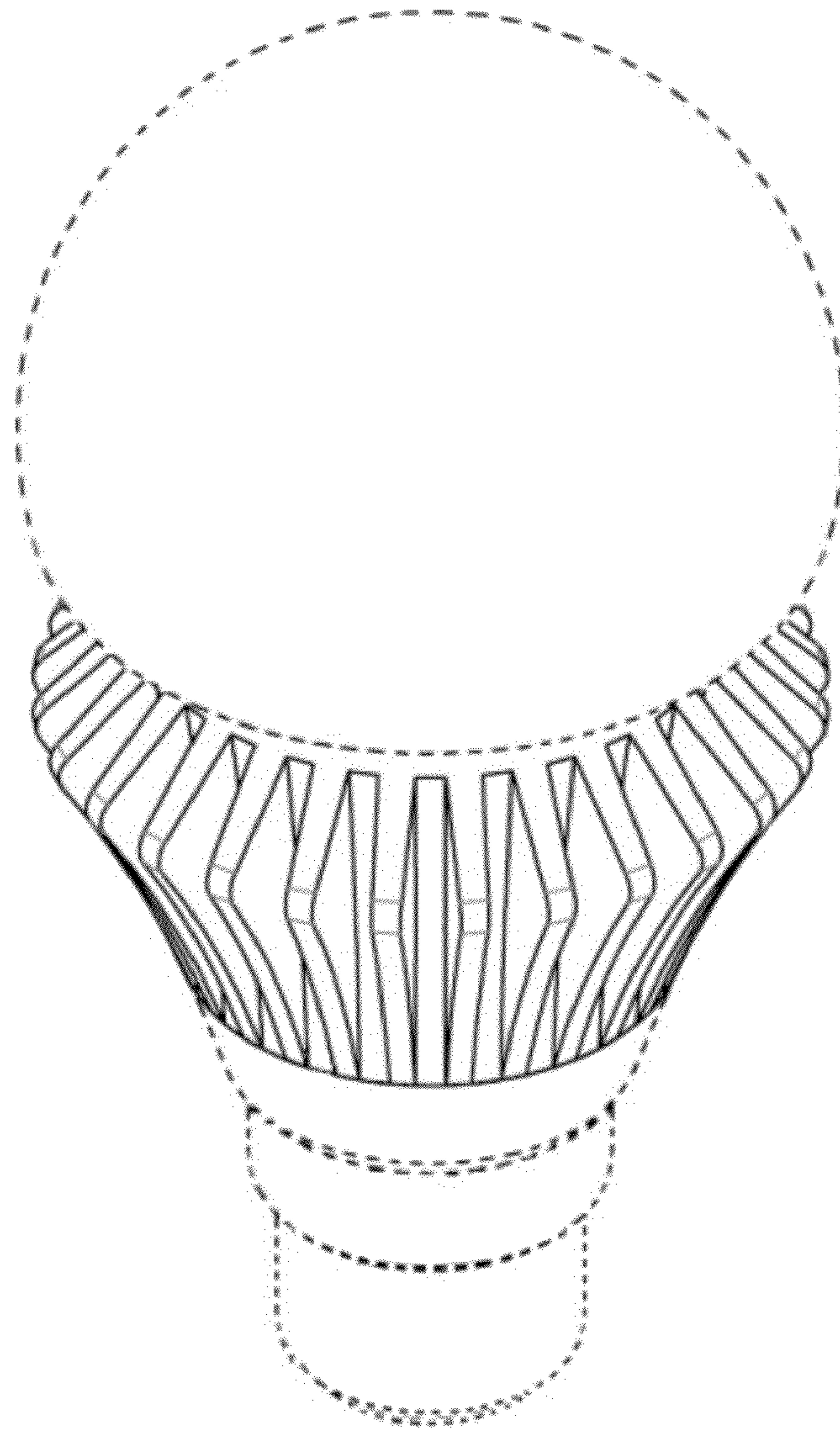


FIG. 1

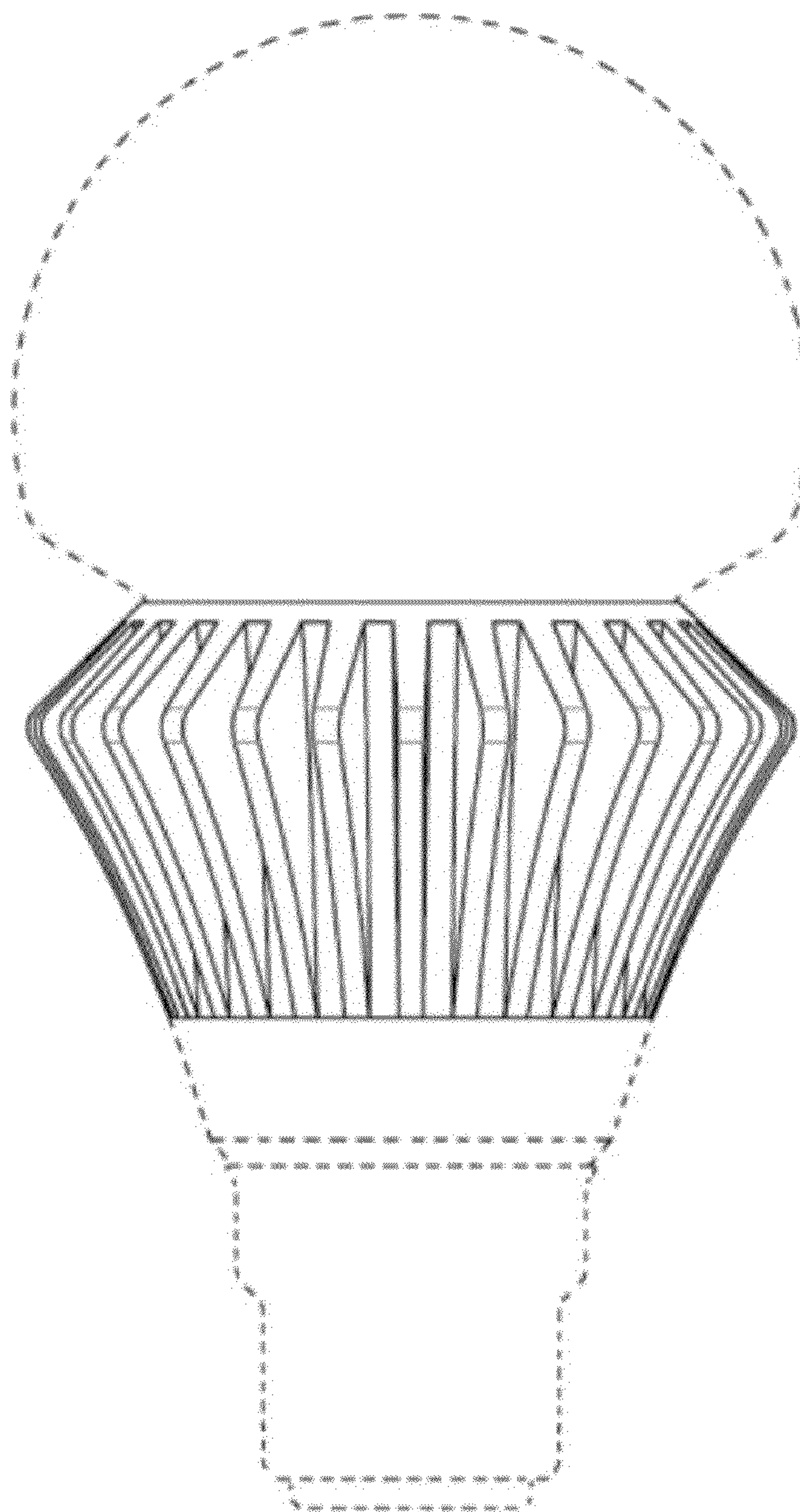


FIG. 2

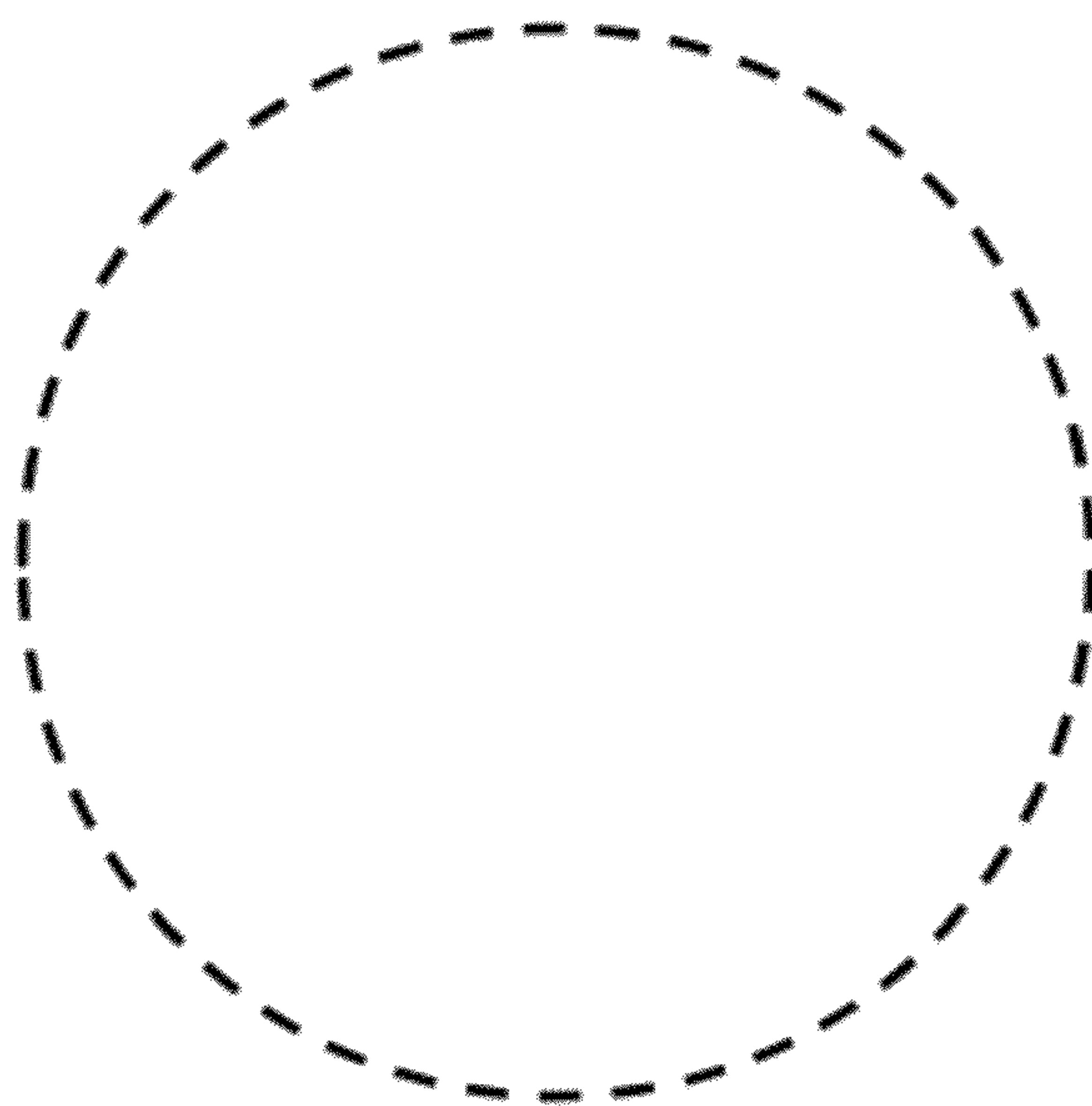


FIG. 3

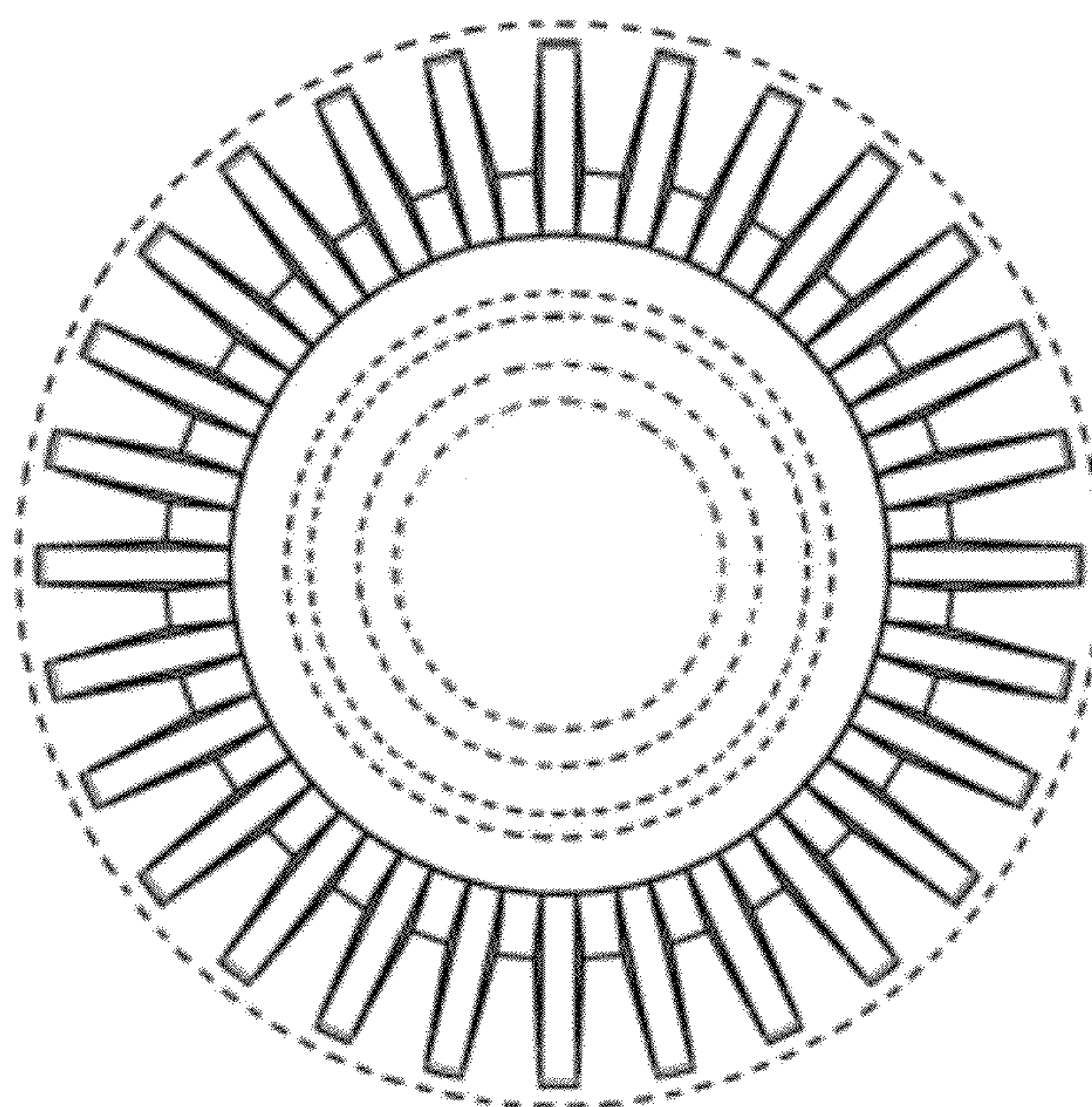


FIG. 4