

US00D666749S

(12) **United States Design Patent**  
**deBetak**

(10) **Patent No.:** **US D666,749 S**

(45) **Date of Patent:** **\*\* Sep. 4, 2012**

(54) **LED LIGHT BULB**

(76) Inventor: **Alexandre deBetak**, New York, NY  
(US)

(\*\*) Term: **14 Years**

(21) Appl. No.: **29/410,840**

(22) Filed: **Jan. 12, 2012**

**Related U.S. Application Data**

(62) Division of application No. 29/379,274, filed on Nov. 17, 2010, now Pat. No. Des. 655,024.

(51) **LOC (9) Cl.** ..... **26-04**

(52) **U.S. Cl.** ..... **D26/2**

(58) **Field of Classification Search** ..... D26/1-4;  
313/313, 315, 316, 317, 318, 493; 315/52,  
315/53, 56, 57, 58

See application file for complete search history.

(56) **References Cited**

**U.S. PATENT DOCUMENTS**

|           |     |         |                     |       |
|-----------|-----|---------|---------------------|-------|
| 4,727,289 | A   | 2/1988  | Uchida              |       |
| D340,295  | S * | 10/1993 | Beauchamp           | D26/2 |
| 5,463,280 | A   | 10/1995 | Johnson             |       |
| 5,850,126 | A   | 12/1998 | Kanbar              |       |
| D410,554  | S * | 6/1999  | Guyton              | D26/2 |
| D422,099  | S * | 3/2000  | Kracke              | D26/2 |
| 6,227,679 | B1  | 5/2001  | Zhang et al.        |       |
| 6,234,648 | B1  | 5/2001  | Borner et al.       |       |
| D443,703  | S * | 6/2001  | Sood                | D26/2 |
| D494,688  | S * | 8/2004  | Van de Ven et al.   | D26/2 |
| 6,814,470 | B2  | 11/2004 | Rizkin et al.       |       |
| D506,840  | S * | 6/2005  | Van de Ven et al.   | D26/2 |
| 6,948,829 | B2  | 9/2005  | Verdes et al.       |       |
| 7,246,919 | B2  | 7/2007  | Porchia et al.      |       |
| D549,360  | S * | 8/2007  | An                  | D26/2 |
| D550,864  | S * | 9/2007  | Hernandez et al.    | D26/2 |
| 7,350,936 | B2  | 4/2008  | Ducharme et al.     |       |
| 7,396,142 | B2  | 7/2008  | Laizure, Jr. et al. |       |

|              |     |         |                 |       |
|--------------|-----|---------|-----------------|-------|
| 7,597,455    | B2  | 10/2009 | Smith et al.    |       |
| 7,600,882    | B1  | 10/2009 | Morejon et al.  |       |
| D629,929     | S   | 12/2010 | Chen et al.     |       |
| D655,024     | S * | 2/2012  | deBetak         | D26/2 |
| 2007/0267976 | A1  | 11/2007 | Bohler et al.   |       |
| 2009/0257220 | A1  | 10/2009 | Lenk et al.     |       |
| 2009/0273940 | A1  | 11/2009 | Thurgood et al. |       |

**OTHER PUBLICATIONS**

94 LED "Stacked" Ball Bulb, article, 2 sheets, website: Ledliquidatorsinc.com.

Apartment Therapy's, Frog Design LED Bulb, Sep. 4, 2008, article, 1 sheet.

EC21 Global Marketplace: New 38 LED E27 110v/220v Light Bulb, article, 3 sheets.

Ebay: Warm 5 Watt LED A19 Screw E26 110-220V AC Light Bulb, 2 sheets.

\* cited by examiner

*Primary Examiner* — Marcus Jackson

(74) *Attorney, Agent, or Firm* — Caesar, Rivise, Bernstein, Cohen & Pokotilow, Ltd.

(57) **CLAIM**

The ornamental design for the LED light bulb, as shown and described.

**DESCRIPTION**

FIG. 1 is an isometric view of an LED light bulb in accordance with a preferred embodiment of my design;

FIG. 2 is a front view of the LED light bulb of FIG. 1, the rear view being a mirror image thereof;

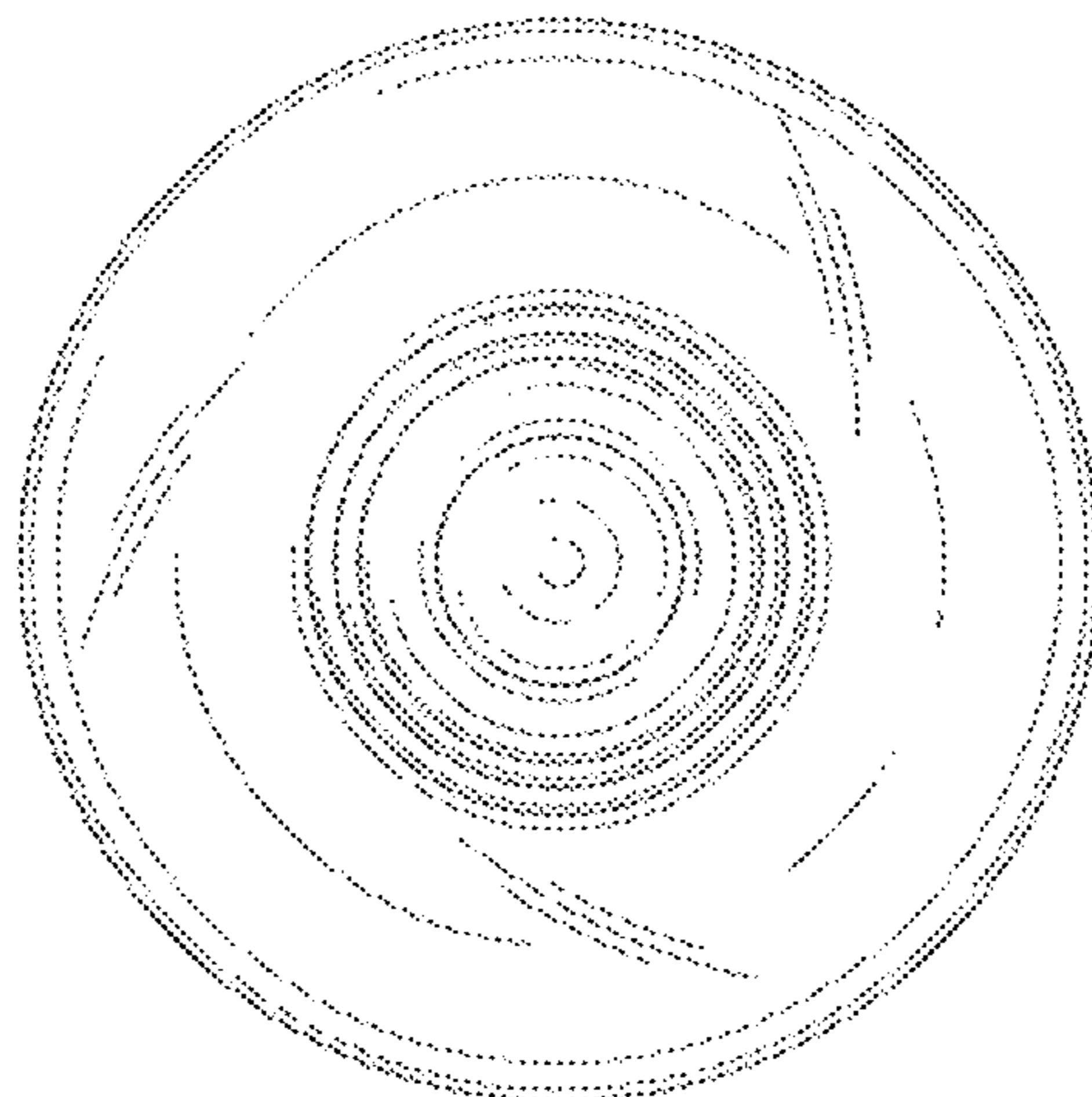
FIG. 3 is a left side view of the LED light bulb of FIG. 1, the right side being a mirror image thereof;

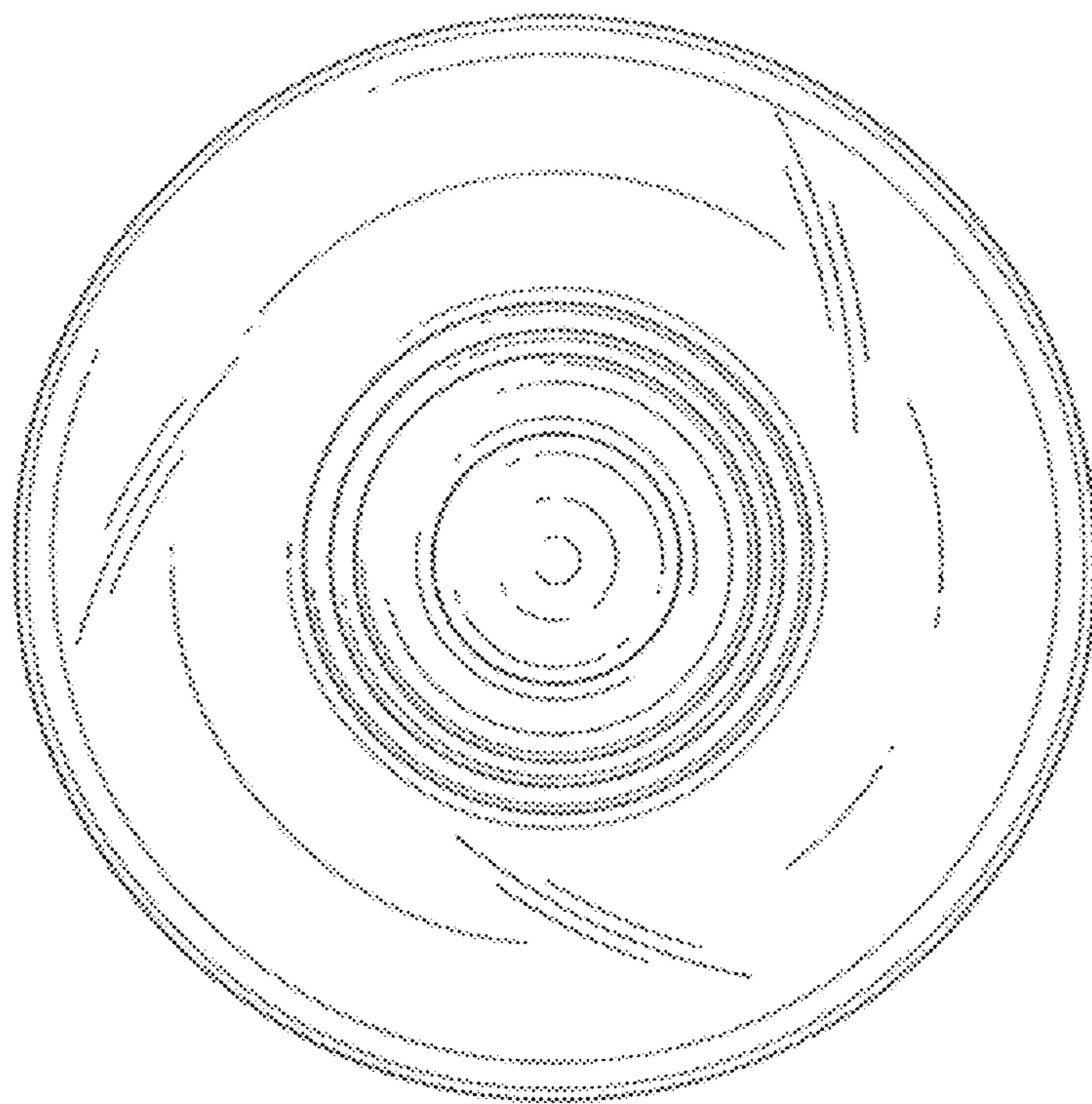
FIG. 4 is a top view of the LED light bulb of FIG. 1; and,

FIG. 5 is a bottom view of the LED light bulb of FIG. 1.

The dashed lines shown in the figures represent environmental subject matter and form no part of the claimed design.

**1 Claim, 5 Drawing Sheets**





**FIG. 1**

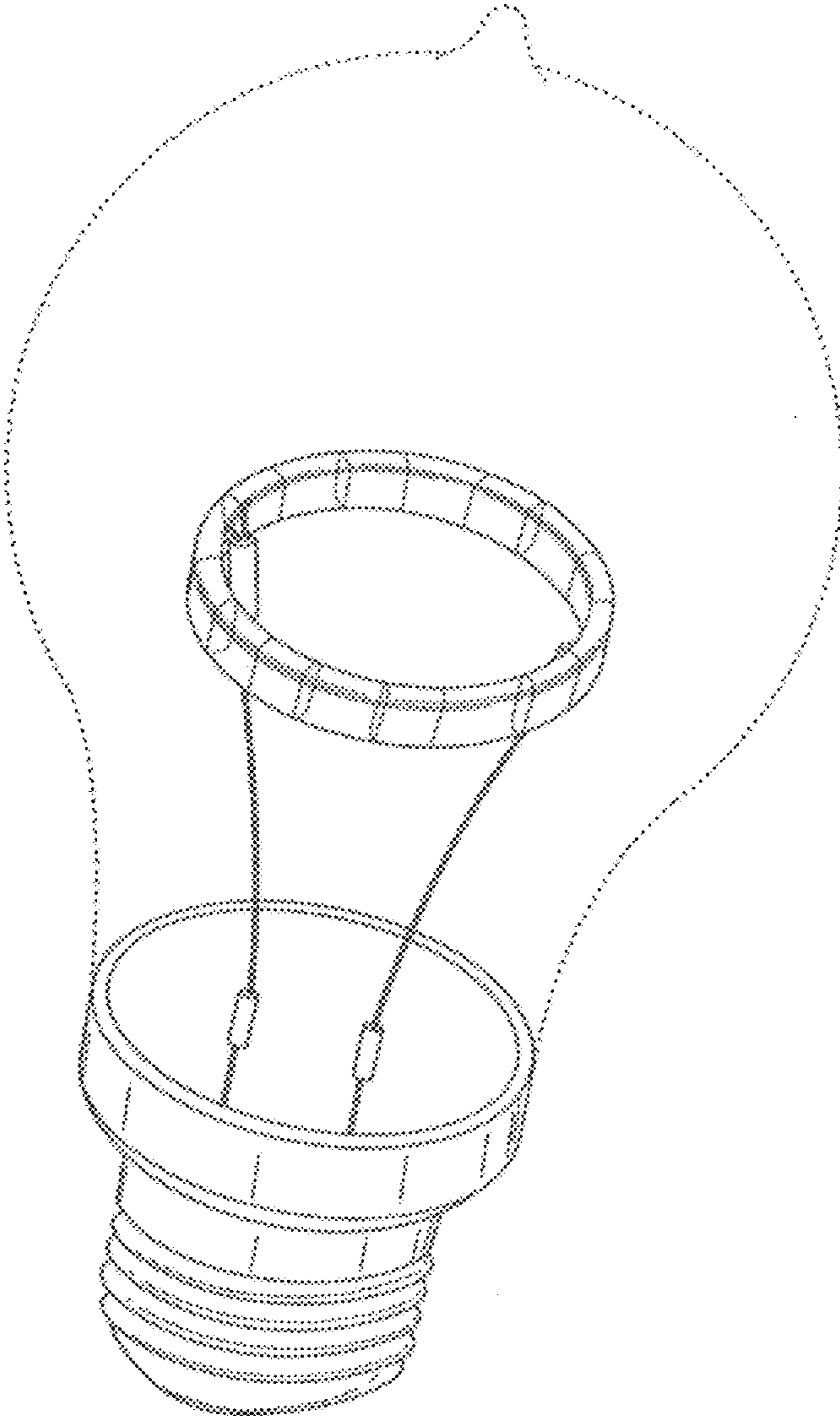
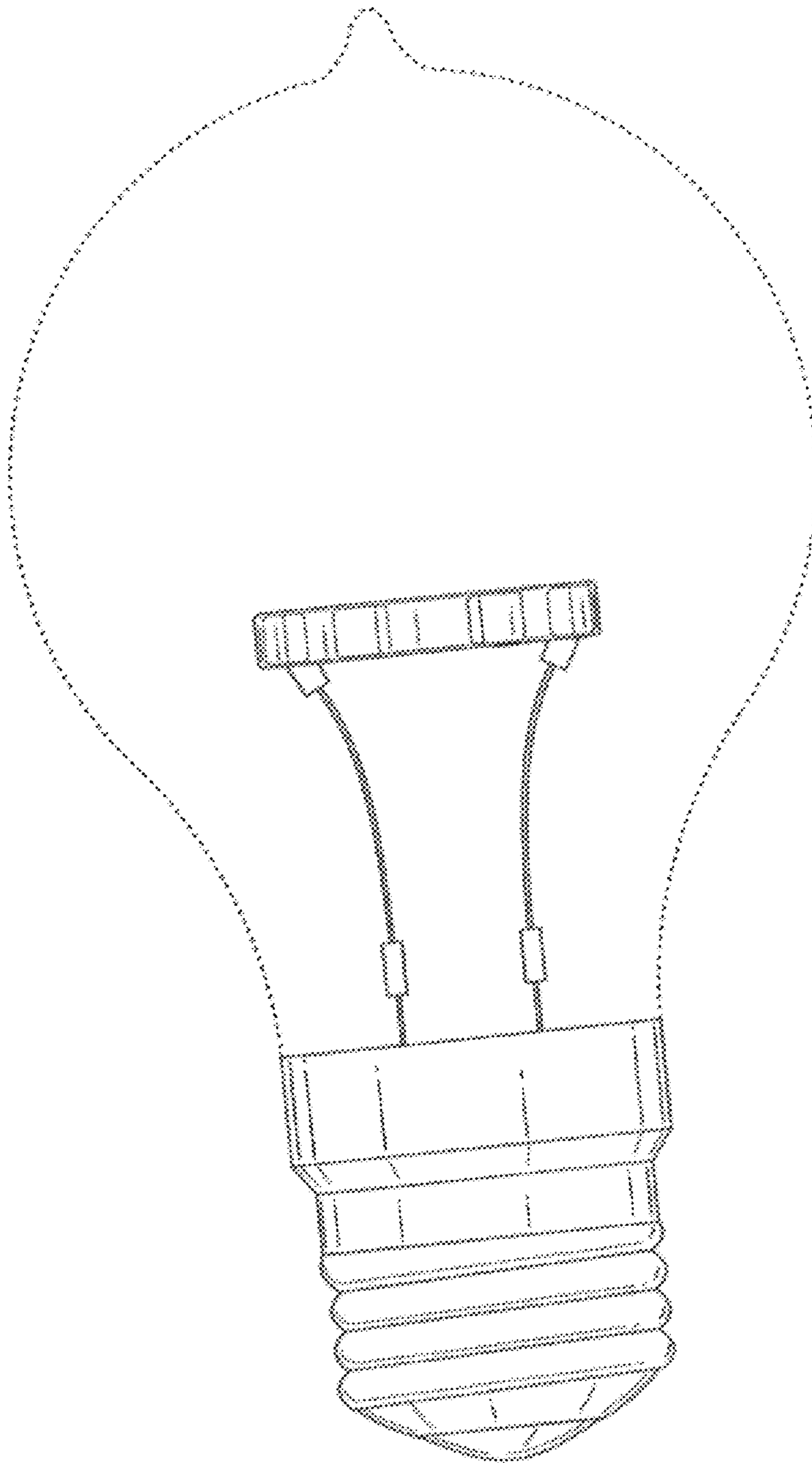
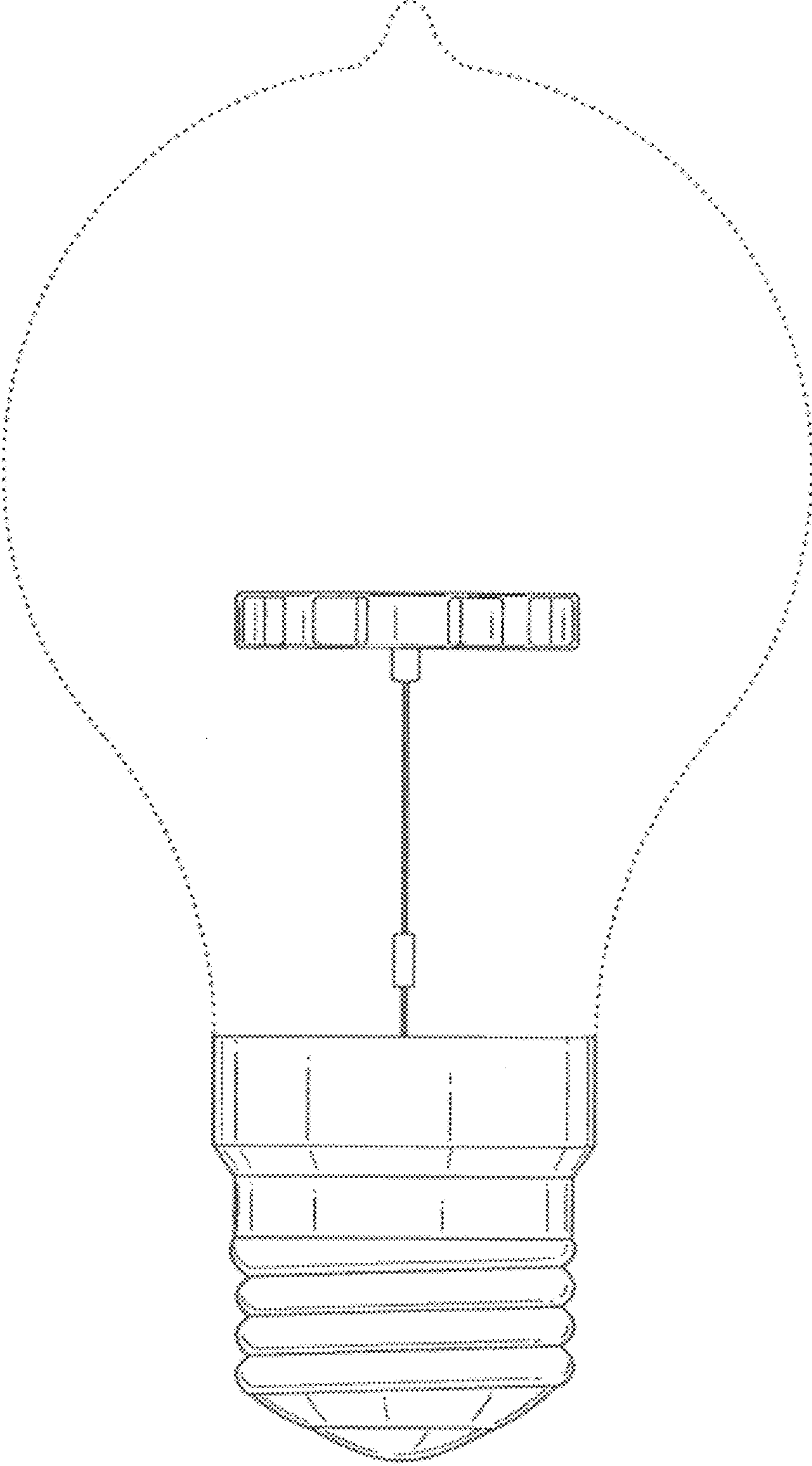


FIG. 2

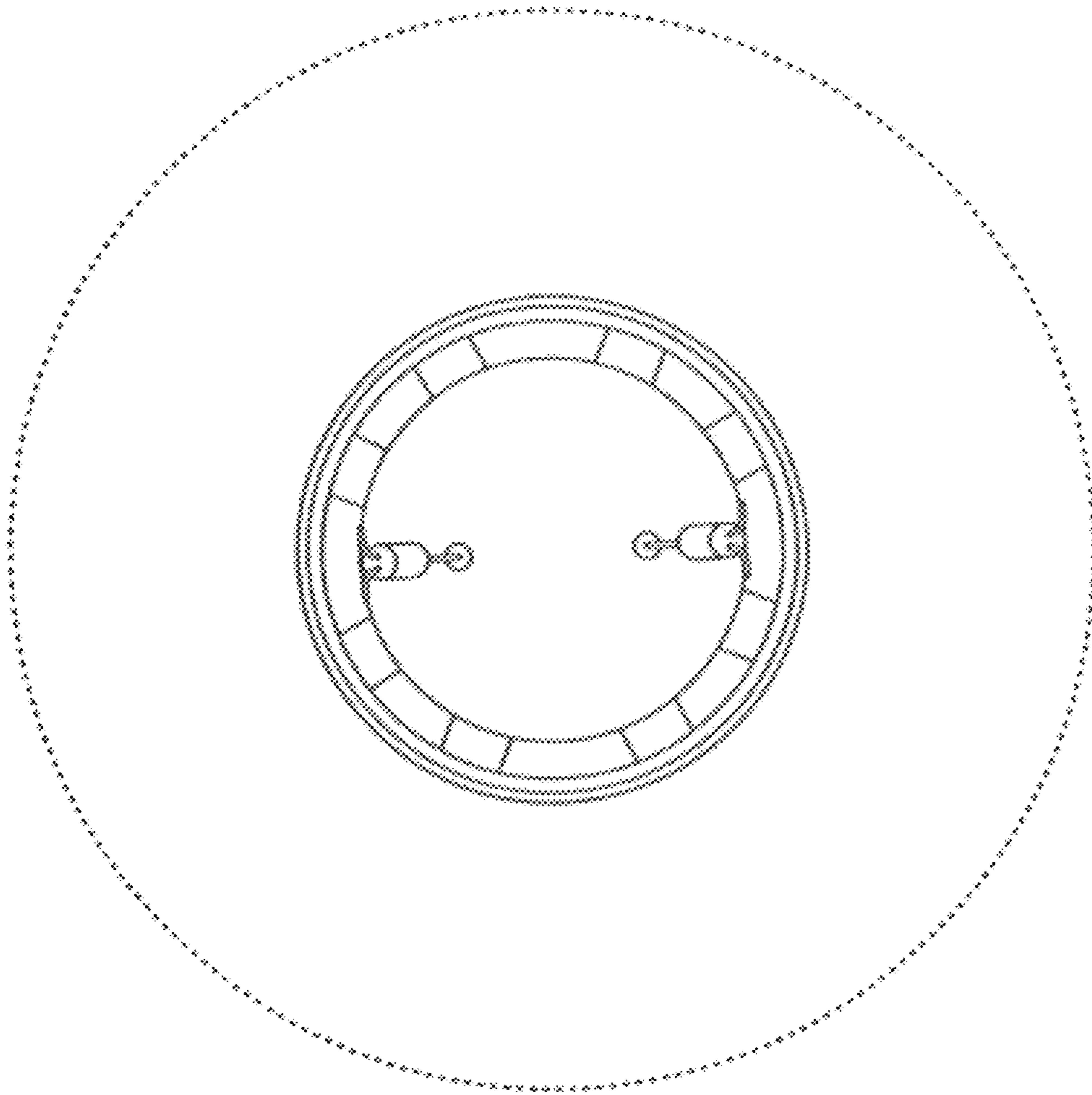


**FIG. 3**



**FIG. 4**





**FIG. 5**