



US00D666746S

(12) **United States Design Patent**
Rodrigues et al.

(10) **Patent No.:** **US D666,746 S**

(45) **Date of Patent:** **** Sep. 4, 2012**

(54) **DIAMOND SHINGLE**

(75) Inventors: **Tommy F. Rodrigues**, Nutley, NJ (US);
Adem Chich, Kearny, NJ (US); **Emily**
Cavanagh, Hoboken, NJ (US); **Fred**
Sieling, Bound Brook, NJ (US)

(73) Assignee: **Building Materials Investment**
Corporation, Wilmington, DE (US)

(**) Term: **14 Years**

(21) Appl. No.: **29/385,177**

(22) Filed: **Feb. 9, 2011**

(51) **LOC (9) Cl.** **25-01**

(52) **U.S. Cl.** **D25/143**

(58) **Field of Classification Search** D25/139,
D25/140, 141, 143, 144; 52/519, 518, 523,
52/524, 526, 535, 554, 555, 556, 560, 557,
52/558, 311.1, 311.2, 314

See application file for complete search history.

(56) **References Cited**

U.S. PATENT DOCUMENTS

1,345,627 A * 7/1920 Overbury 52/555
D57,126 S * 2/1921 Heppes D25/139
1,627,429 A * 5/1927 Davis 52/544

* cited by examiner

Primary Examiner — Doris Clark

(74) *Attorney, Agent, or Firm* — Baker & McKenzie LLP

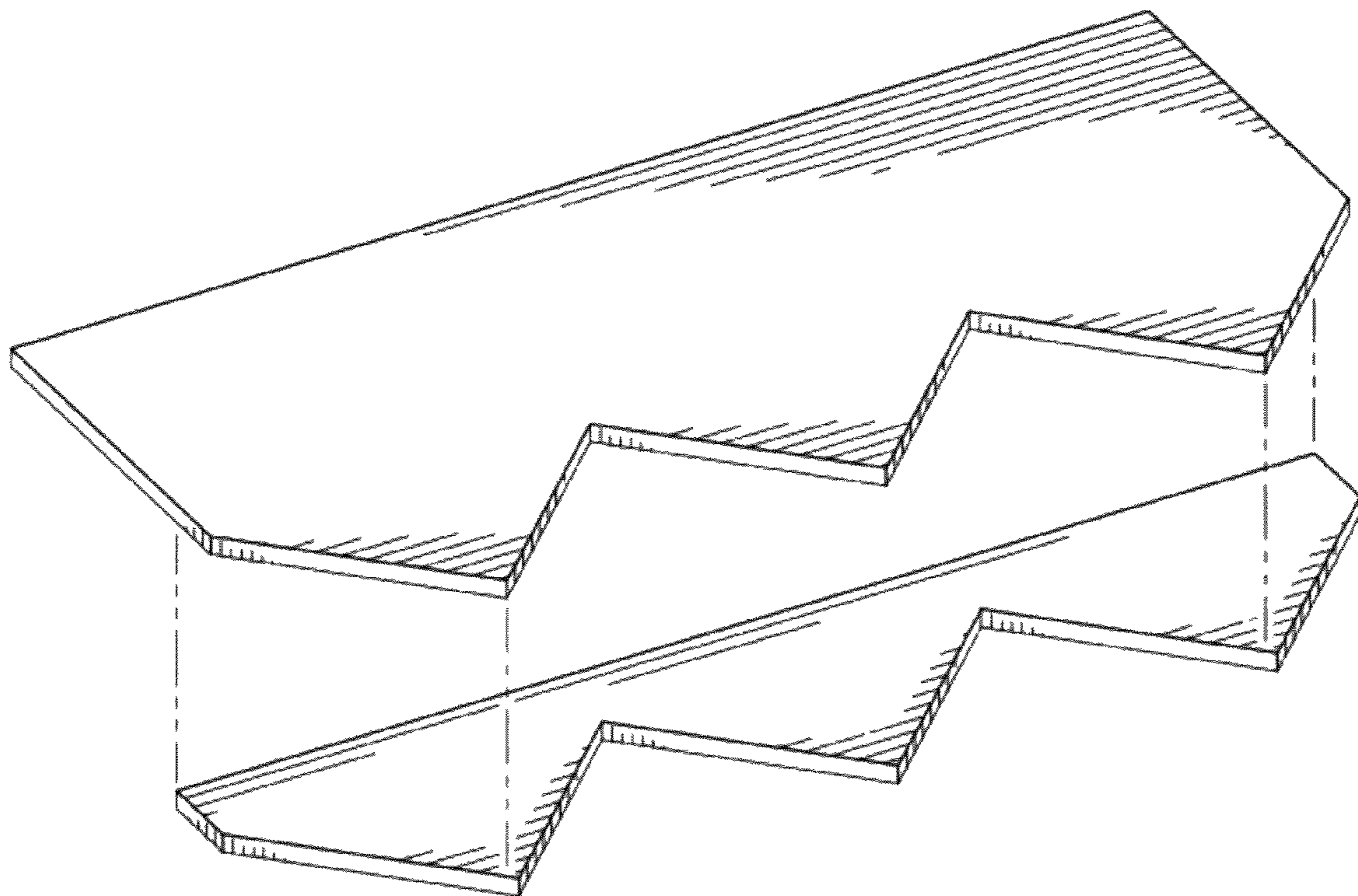
(57) **CLAIM**

The ornamental design for a diamond shingle, as shown and described.

DESCRIPTION

FIG. 1 is a perspective view of the diamond shingle in accordance with our design;
FIG. 2 is a top view of the diamond shingle shown in FIG. 1;
FIG. 3 is a front view of the diamond shingle shown in FIG. 1;
FIG. 4 is a back view of the diamond shingle shown in FIG. 1;
FIG. 5 is a first side view of the diamond shingle shown in FIG. 1;
FIG. 6 is a second side view of the diamond shingle shown in FIG. 1;
FIG. 7 is a bottom view of the diamond shingle shown in FIG. 1; and,
FIG. 8 is an exploded view of the diamond shingle shown in FIG. 1.

1 Claim, 4 Drawing Sheets



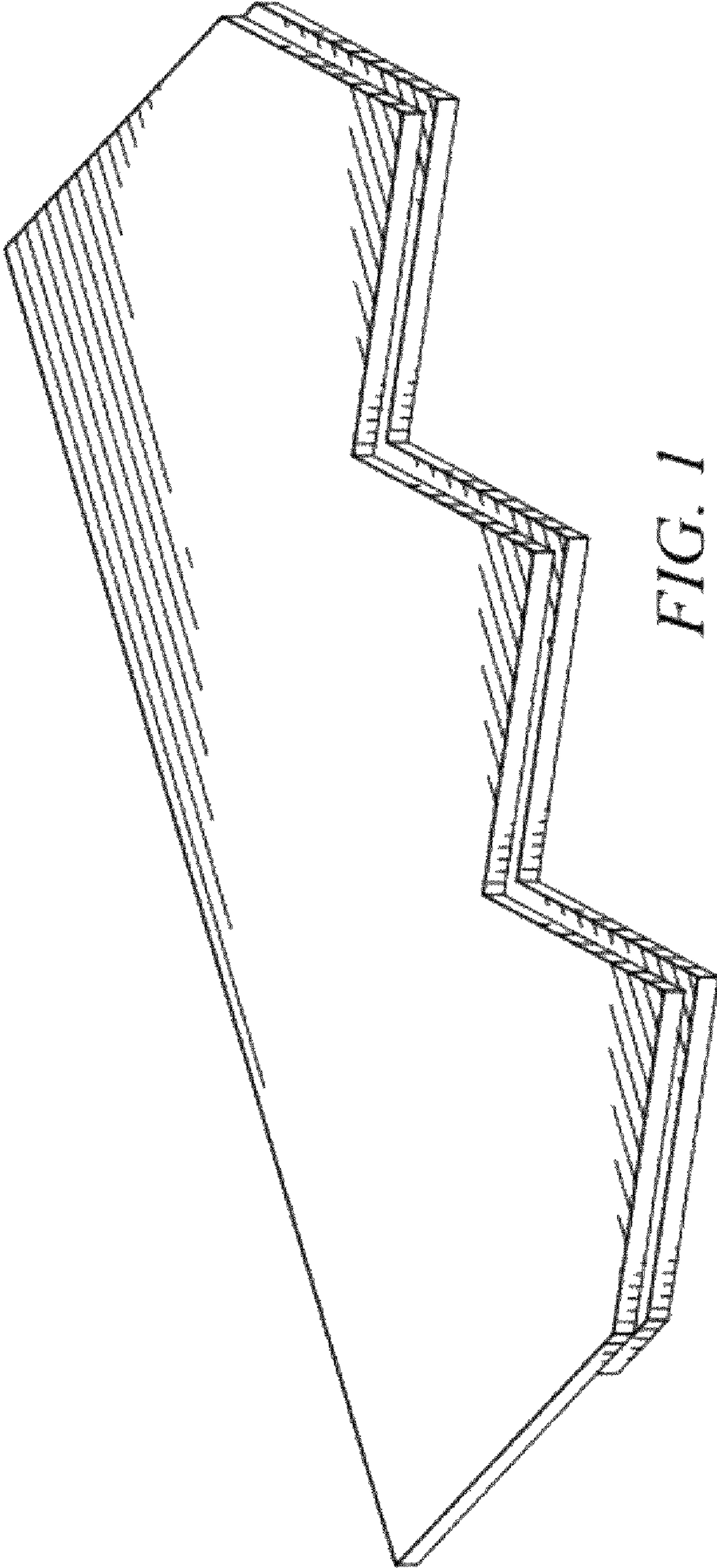


FIG. 1

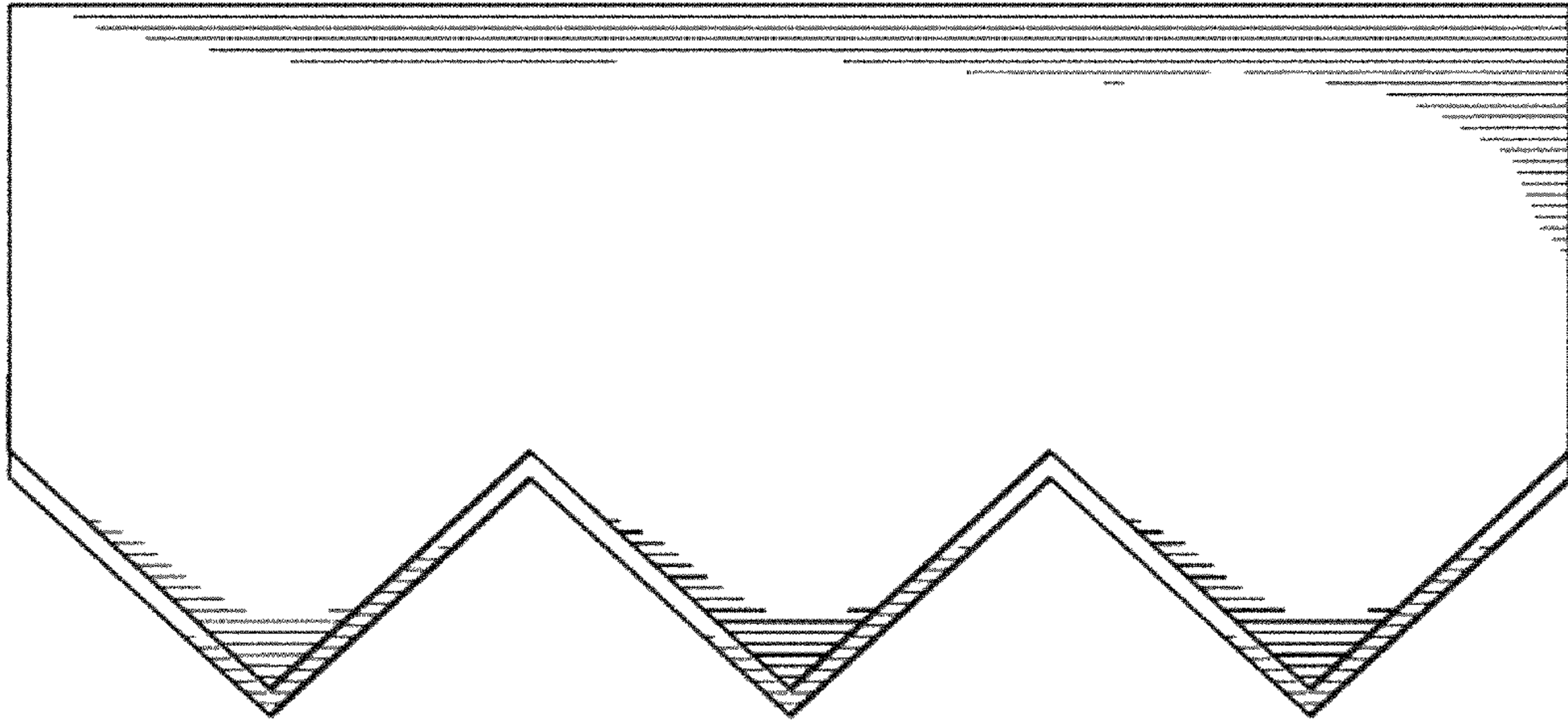


FIG. 2



FIG. 3

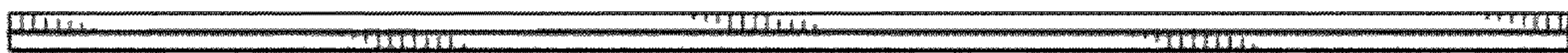


FIG. 4



FIG. 5



FIG. 6

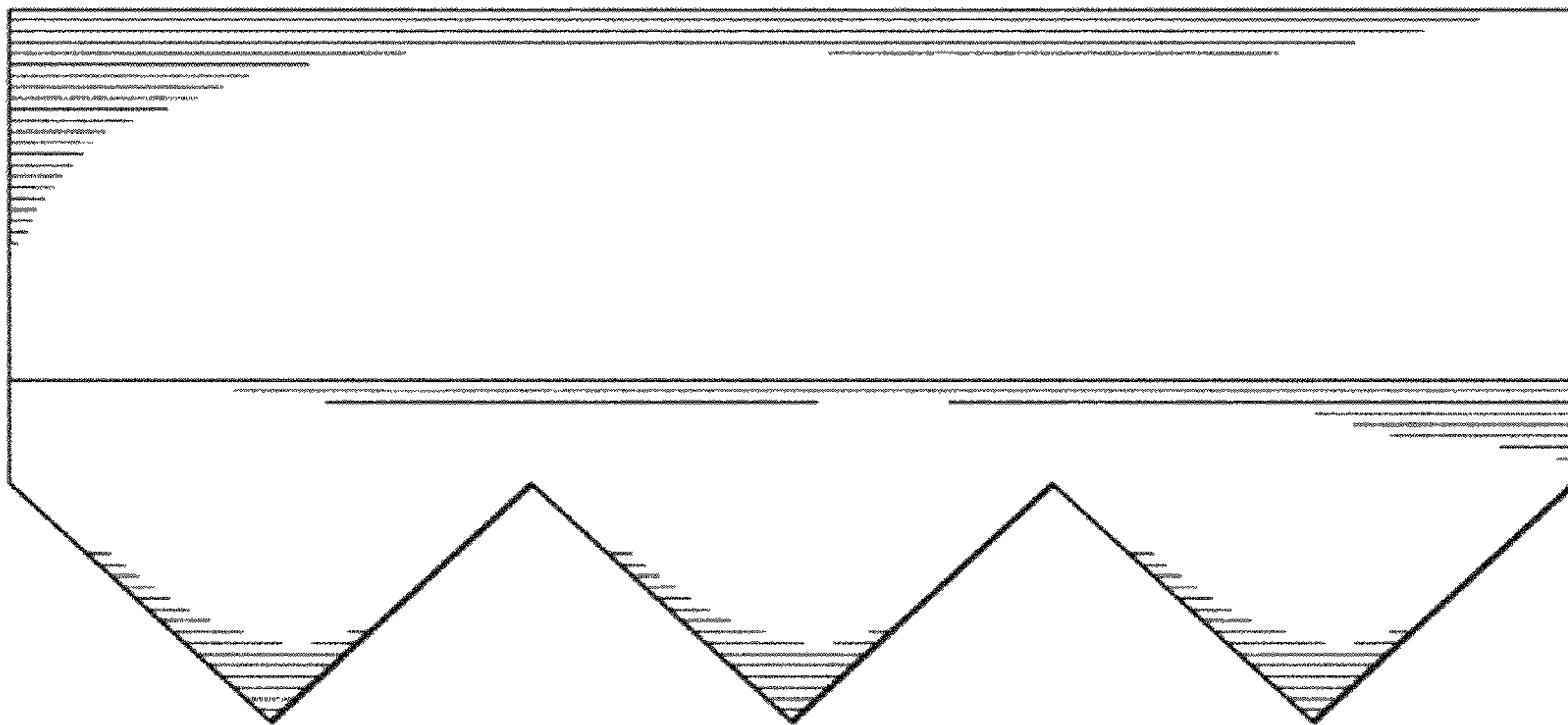


FIG. 7

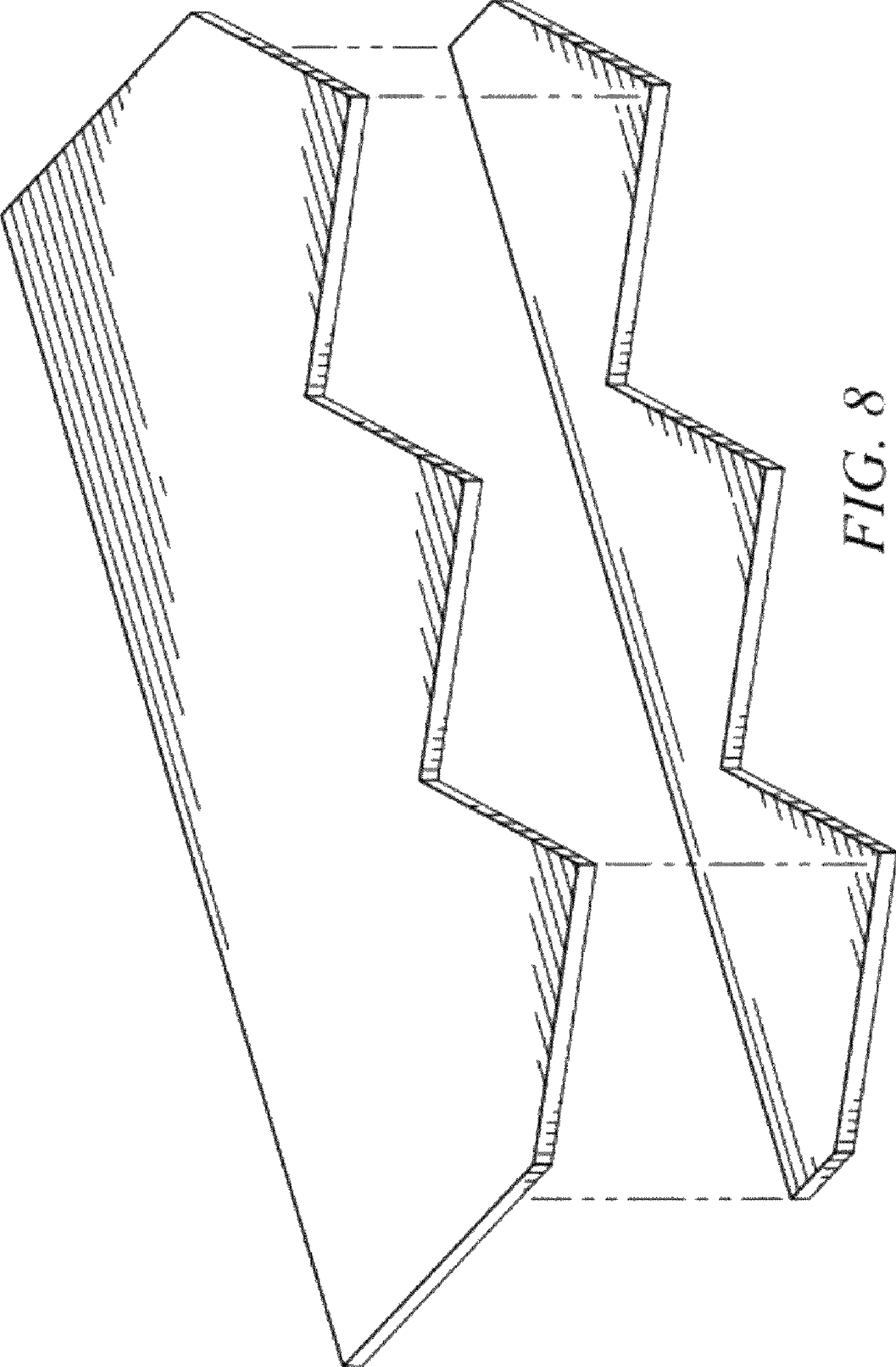


FIG. 8