

US00D666745S

(12) **United States Design Patent**
Rodrigues et al.

(10) **Patent No.:** **US D666,745 S**
(45) **Date of Patent:** **** Sep. 4, 2012**

(54) **STAGGERED SLATE SHINGLE**

(75) Inventors: **Tommy F. Rodrigues**, Nutley, NJ (US);
Adem Chich, Kearny, NJ (US); **Emily**
Cavanagh, Hoboken, NJ (US); **Fred**
Sieling, Bound Brook, NJ (US)

(73) Assignee: **Building Materials Investment**
Corporation, Wilmington, DE (US)

(**) Term: **14 Years**

(21) Appl. No.: **29/385,171**

(22) Filed: **Feb. 9, 2011**

(51) **LOC (9) Cl.** **25-01**

(52) **U.S. Cl.** **D25/143**

(58) **Field of Classification Search** D25/139,
D25/140, 141, 143, 144; 52/519, 518, 523,
52/524, 526, 535, 554, 555, 556, 560, 557,
52/558, 311.1, 311.2, 314

See application file for complete search history.

(56) **References Cited**

U.S. PATENT DOCUMENTS

3,624,975	A *	12/1971	Morgan et al.	52/105
5,611,186	A *	3/1997	Weaver	52/557
D406,361	S *	3/1999	Bondoc et al.	D25/143
D504,962	S *	5/2005	Sieling et al.	D25/143
6,936,329	B2 *	8/2005	Kiik et al.	428/141

* cited by examiner

Primary Examiner — Doris Clark

(74) *Attorney, Agent, or Firm* — Baker & McKenzie LLP

(57) **CLAIM**

The ornamental design for a staggered slate shingle, as shown and described.

DESCRIPTION

FIG. 1 is a perspective view of a first embodiment of the staggered slate shingle in accordance with our design;

FIG. 2 is a top view of the staggered slate shingle shown in FIG. 1;

FIG. 3 is a front view of the staggered slate shingle shown in FIG. 1;

FIG. 4 is a back view of the staggered slate shingle shown in FIG. 1;

FIG. 5 is a first side view of the staggered slate shingle shown in FIG. 1;

FIG. 6 is a second side view of the staggered slate shingle shown in FIG. 1;

FIG. 7 is a bottom view of the staggered slate shingle shown in FIG. 1;

FIG. 8 is an exploded view of the staggered slate shingle shown in FIG. 1;

FIG. 9 is a perspective view of a second embodiment of the staggered slate shingle in accordance with our design;

FIG. 10 is a top view of the staggered slate shingle shown in FIG. 9;

FIG. 11 is a front view of the staggered slate shingle shown in FIG. 9;

FIG. 12 is a back view of the staggered slate shingle shown in FIG. 9;

FIG. 13 is a first side view of the staggered slate shingle shown in FIG. 9;

FIG. 14 is a second side view of the staggered slate shingle shown in FIG. 9;

FIG. 15 is a bottom view of the staggered slate shingle shown in FIG. 9;

FIG. 16 is an exploded view of the staggered slate shingle shown in FIG. 9;

FIG. 17 is a perspective view of a third embodiment of the staggered slate shingle in accordance with our design;

FIG. 18 is a top view of the staggered slate shingle shown in FIG. 17;

FIG. 19 is a front view of the staggered slate shingle shown in FIG. 17;

FIG. 20 is a back view of the staggered slate shingle shown in FIG. 17;

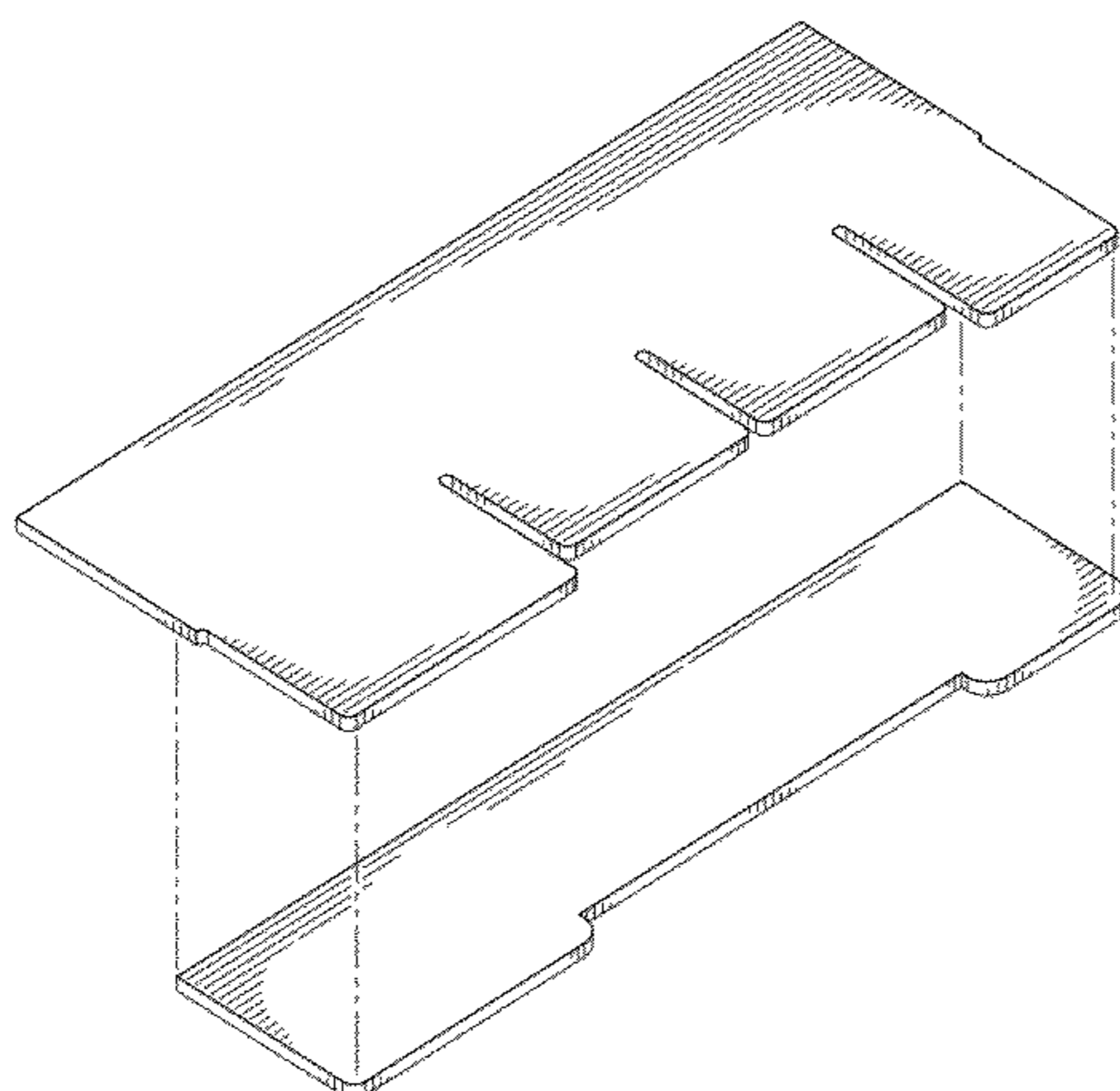
FIG. 21 is a first side view of the staggered slate shingle shown in FIG. 17;

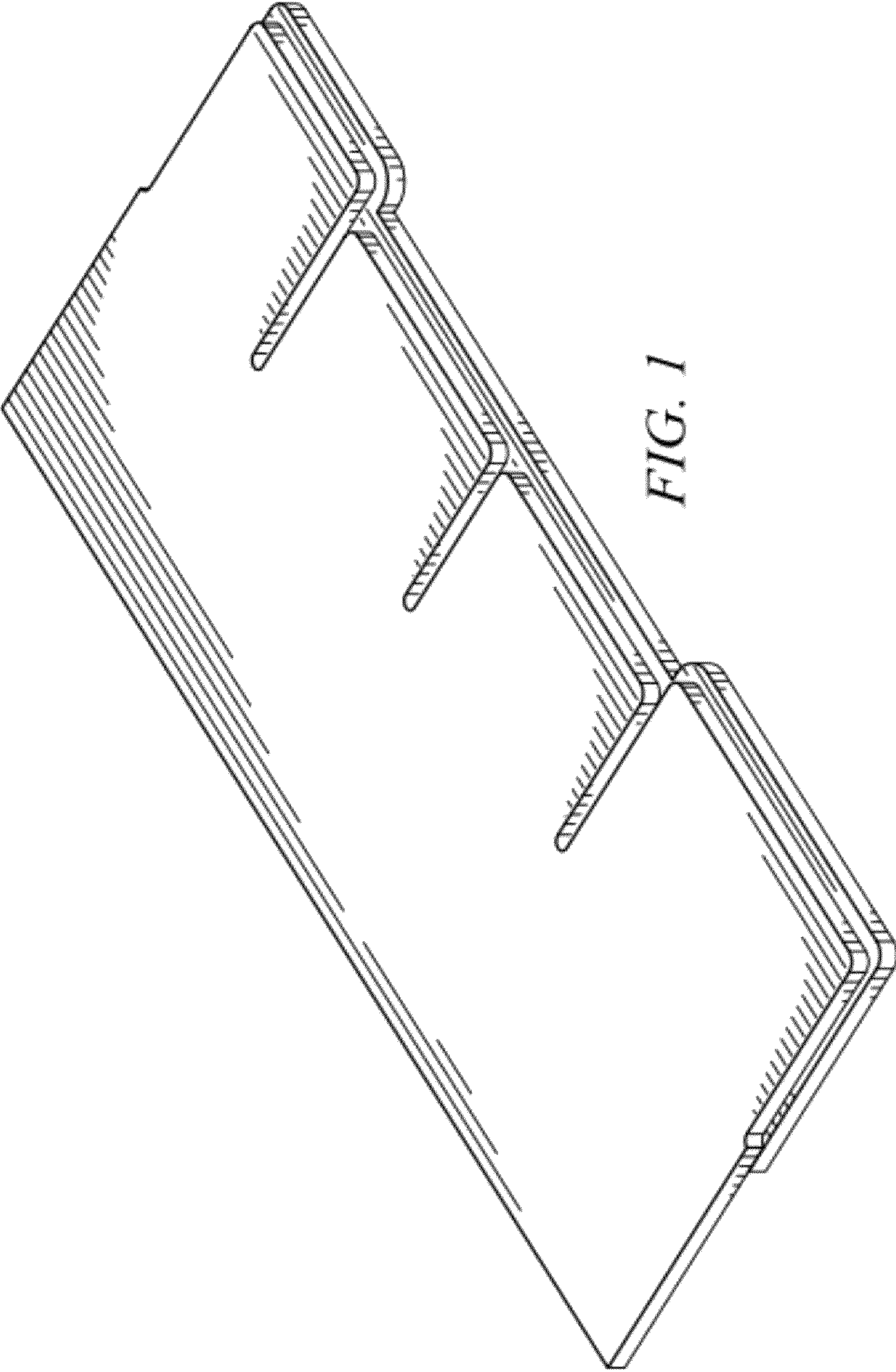
FIG. 22 is a second side view of the staggered slate shingle shown in FIG. 17;

FIG. 23 is a bottom view of the staggered slate shingle shown in FIG. 17; and,

FIG. 24 is an exploded view of the staggered slate shingle shown in FIG. 17.

1 Claim, 12 Drawing Sheets





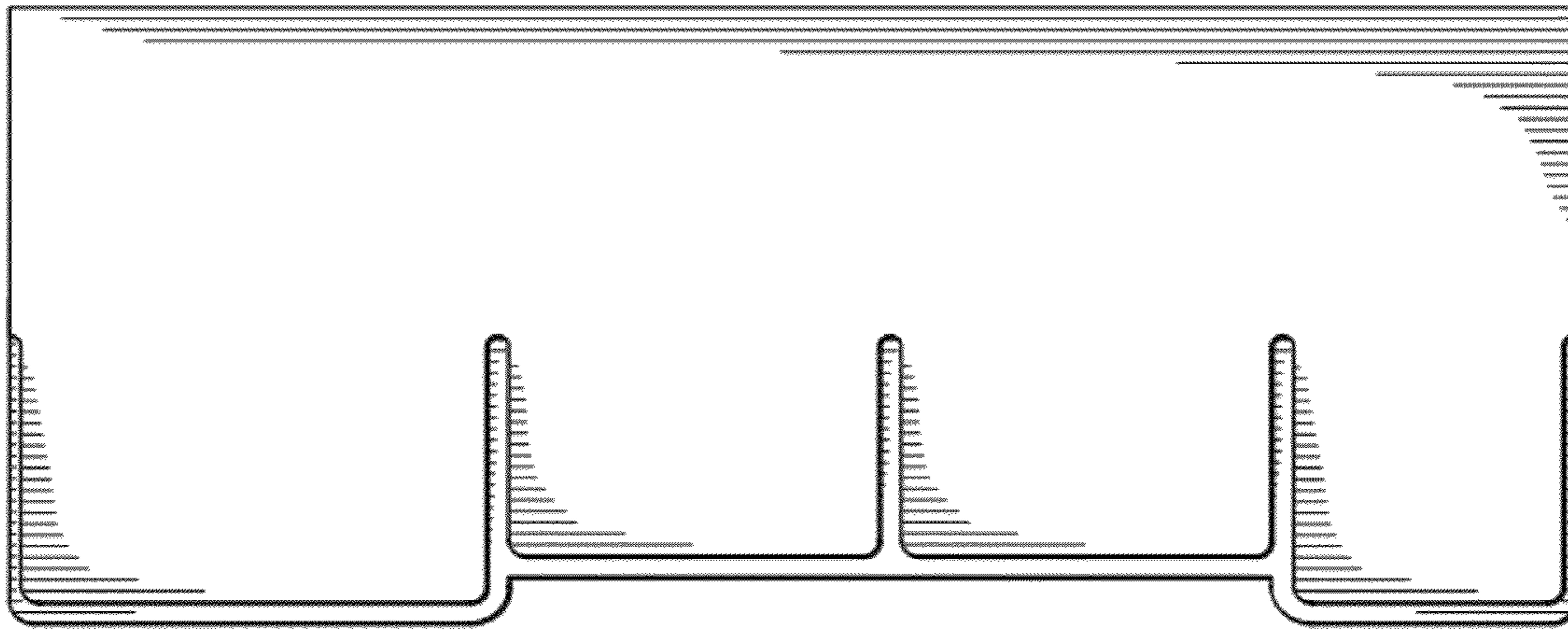


FIG. 2

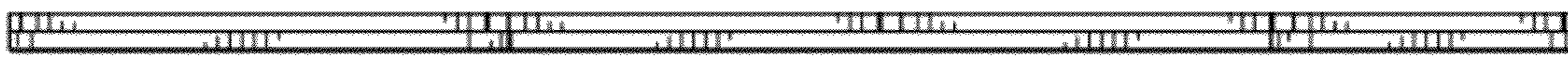


FIG. 3



FIG. 4

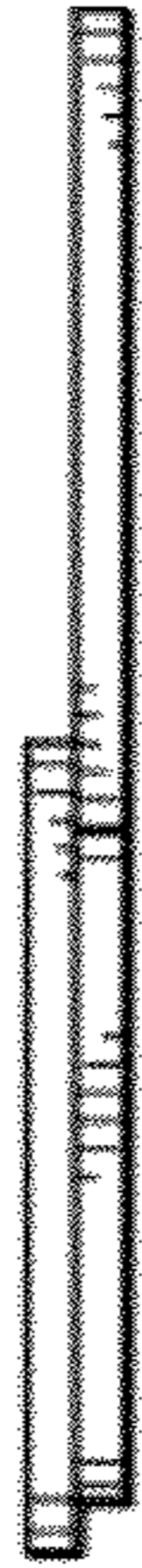


FIG. 5



FIG. 6

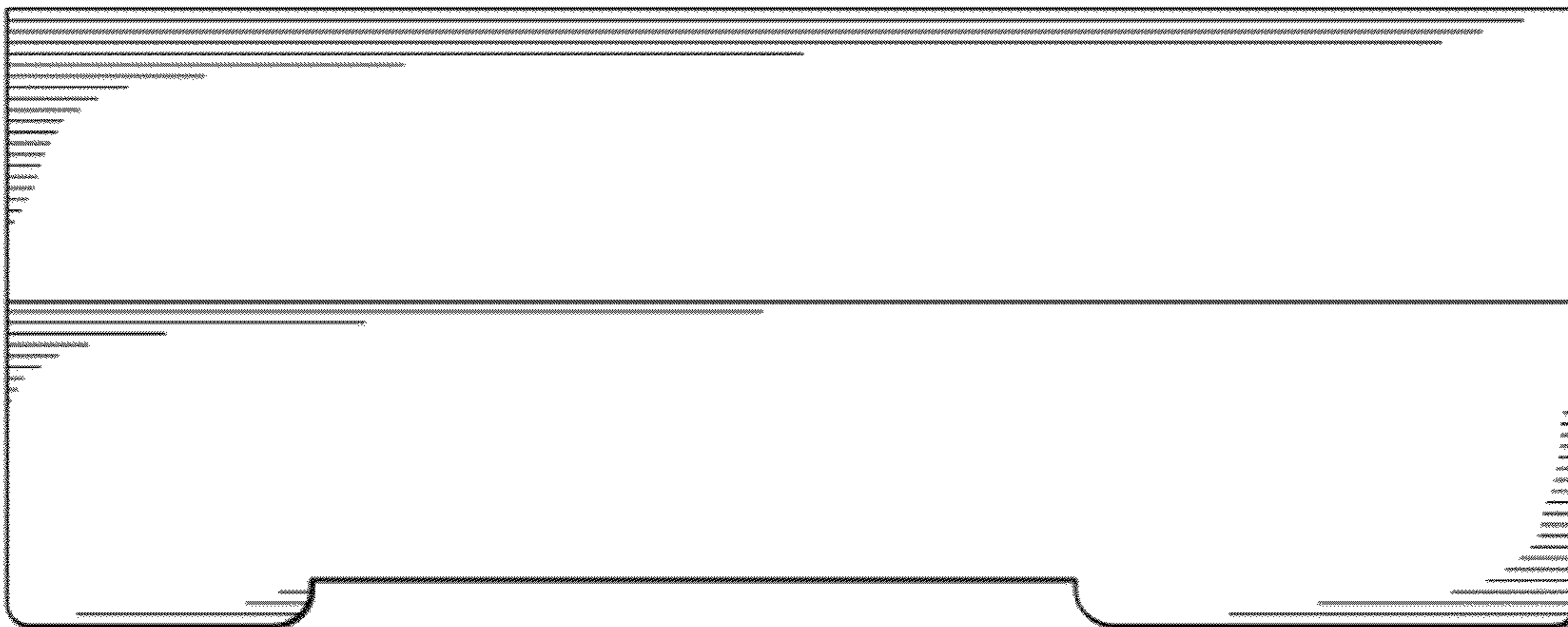


FIG. 7

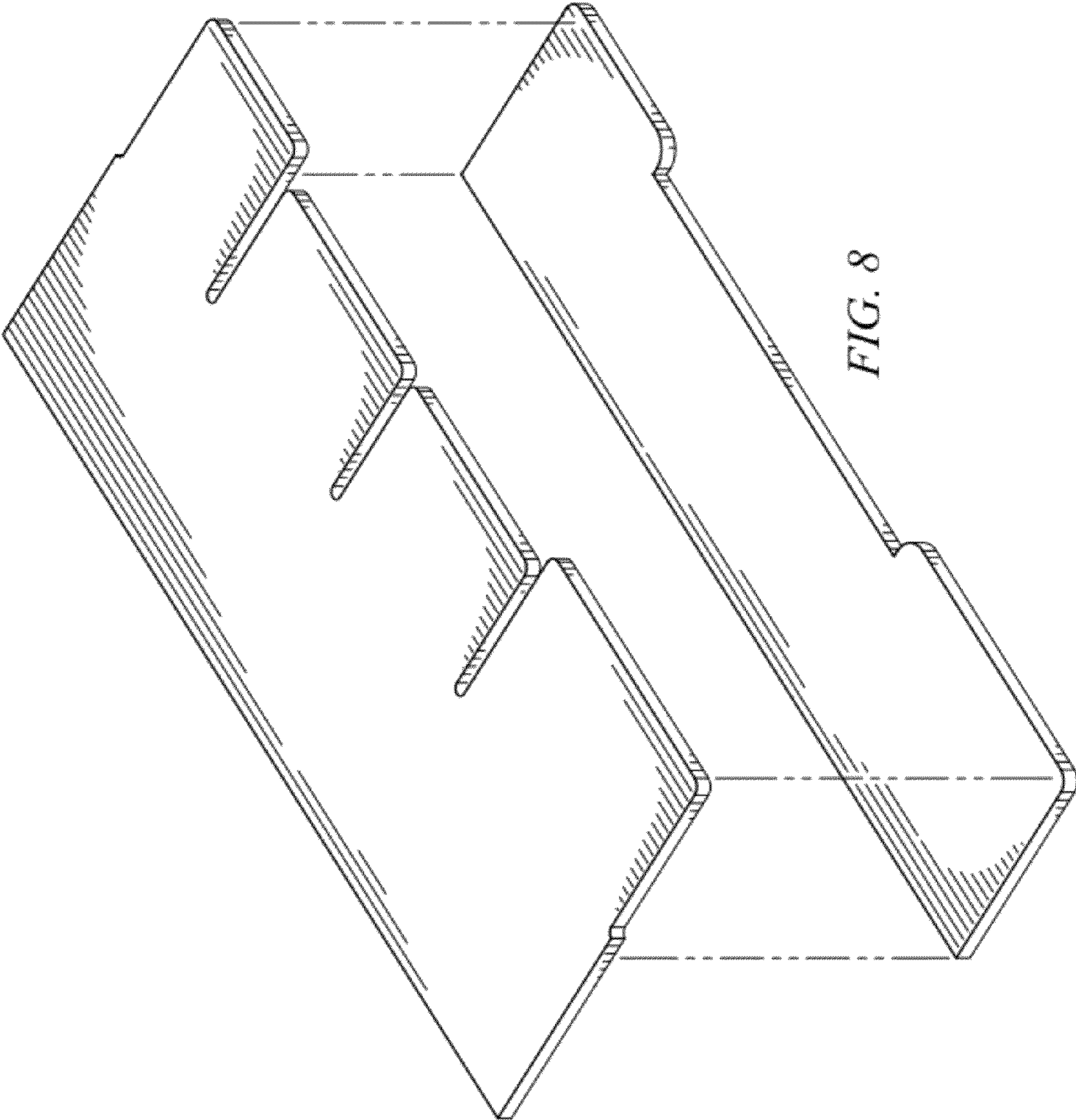


FIG. 8

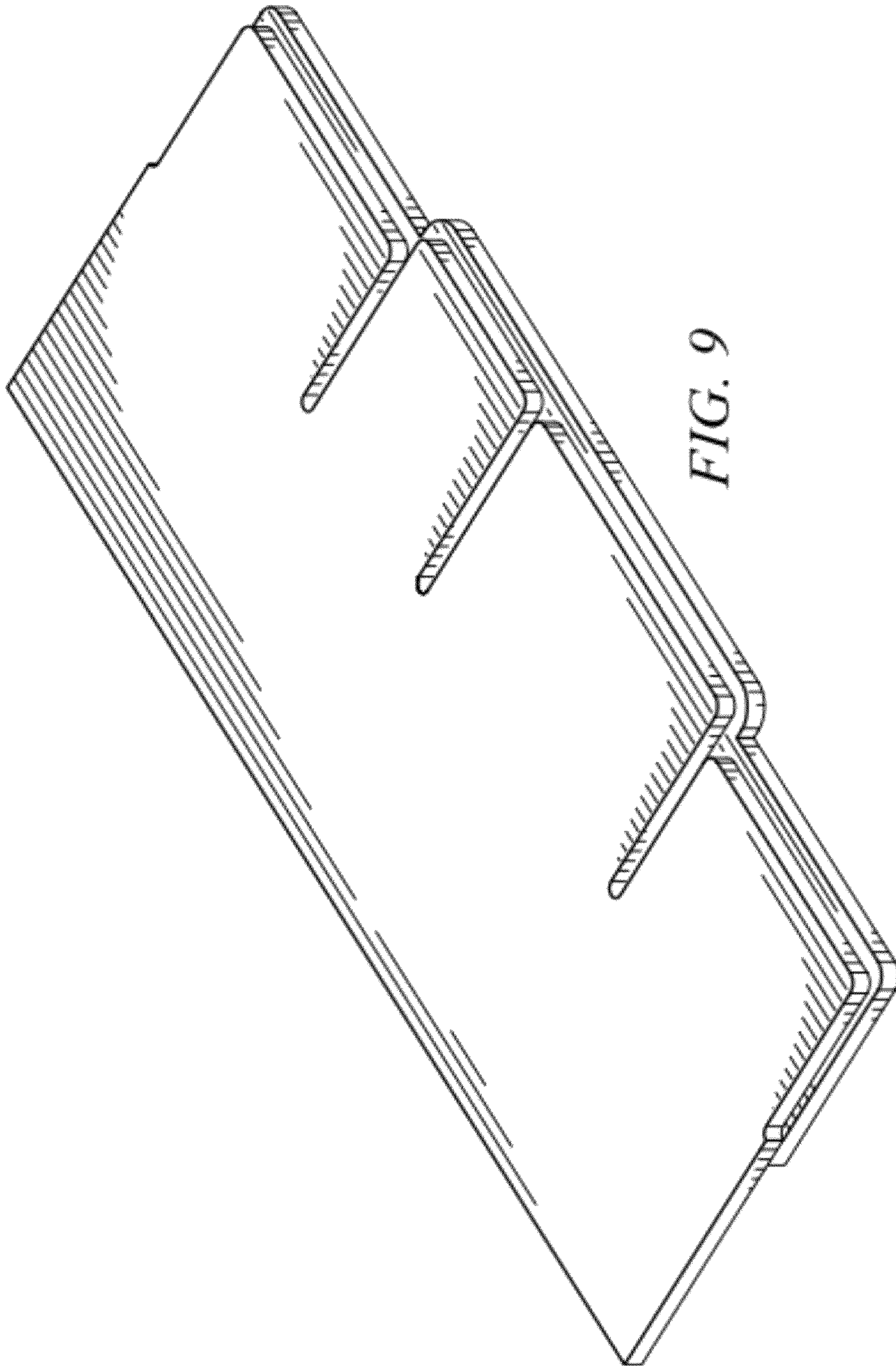


FIG. 9

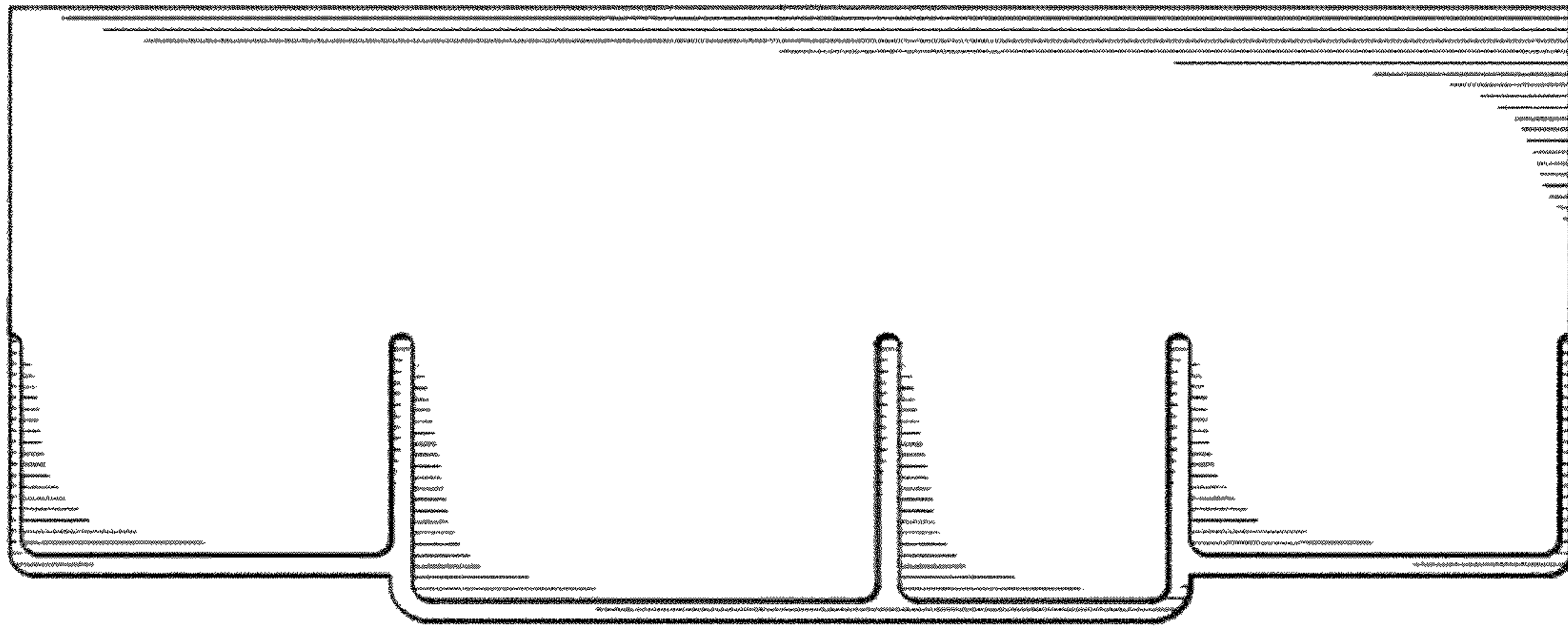


FIG. 10



FIG. 11



FIG. 12



FIG. 13



FIG. 14

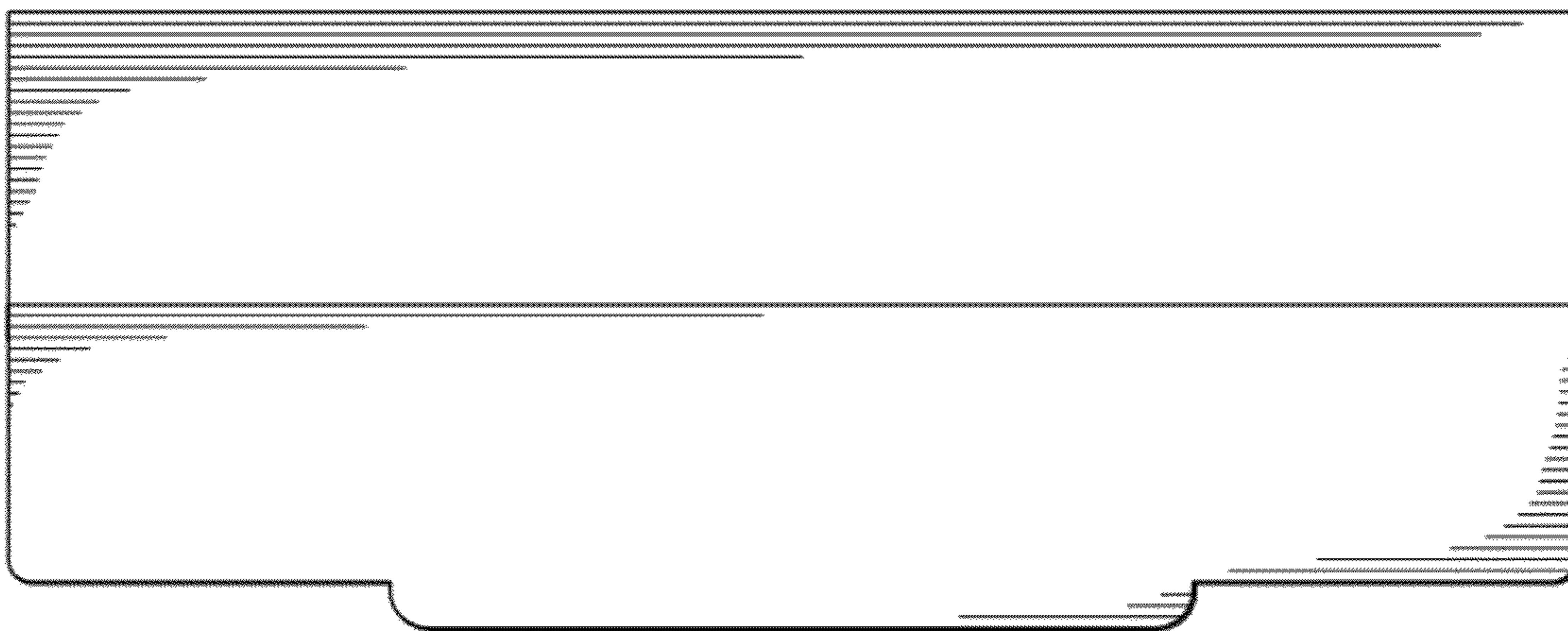


FIG. 15

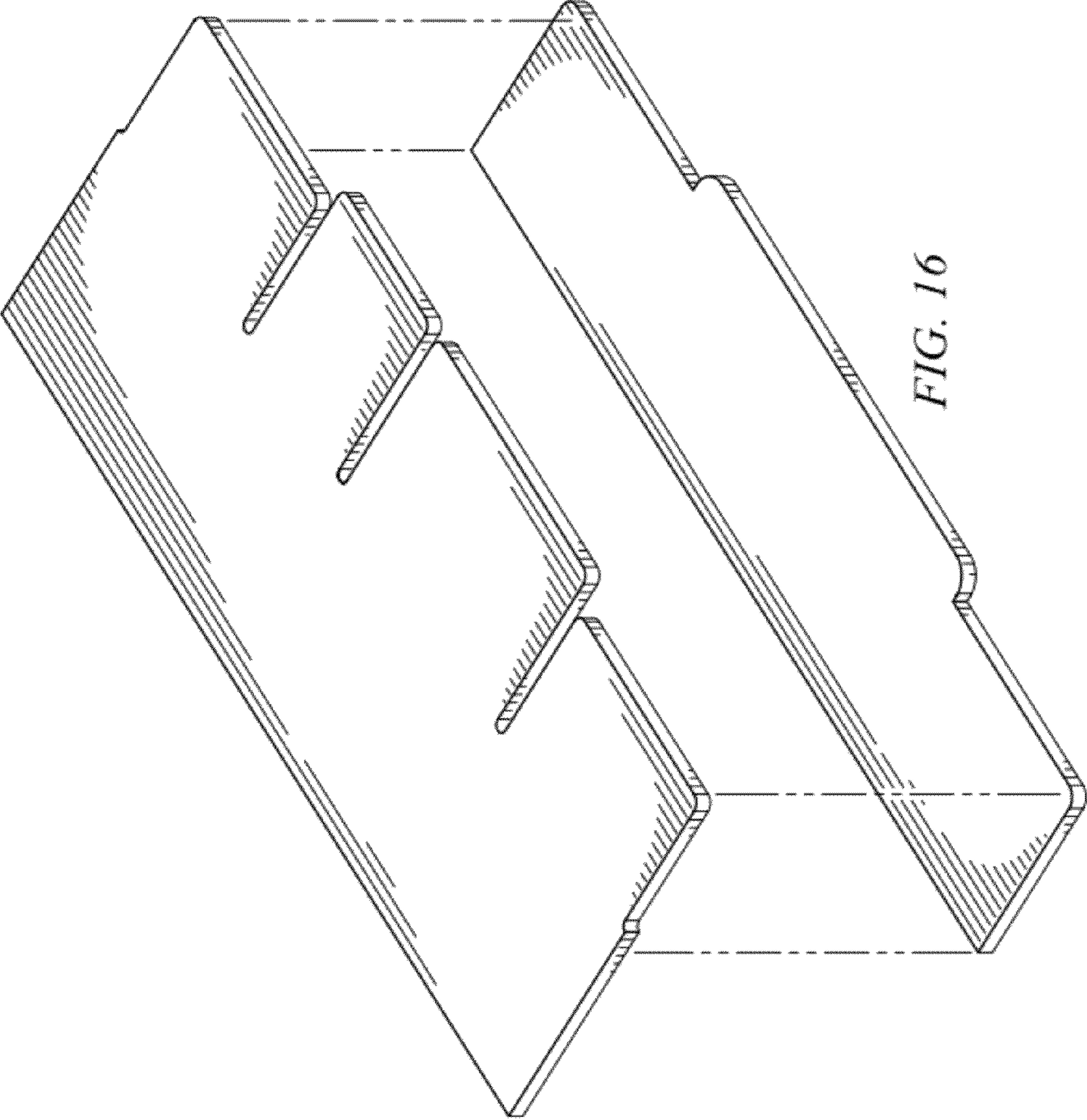


FIG. 16

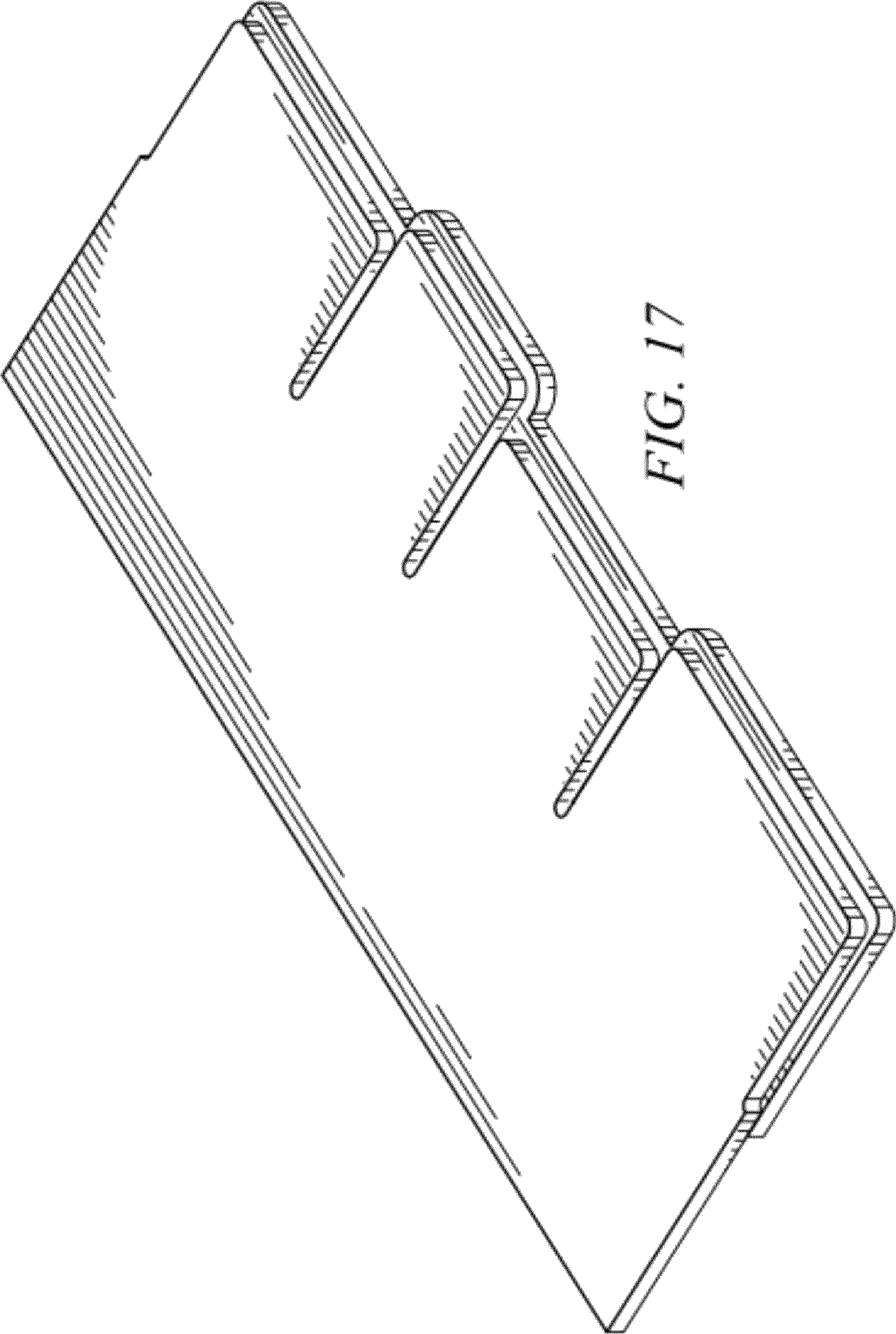


FIG. 17

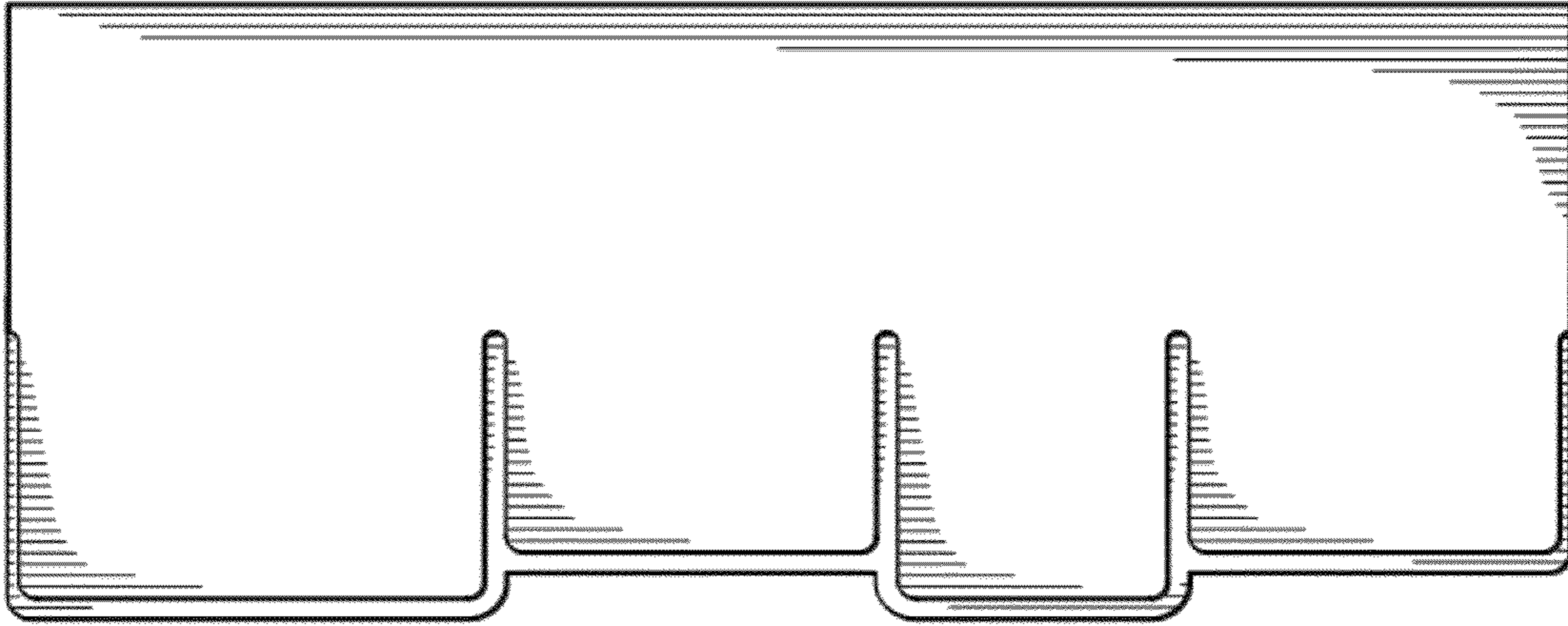


FIG. 18



FIG. 19

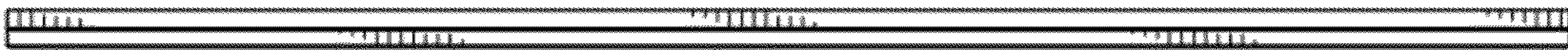


FIG. 20



FIG. 21



FIG. 22

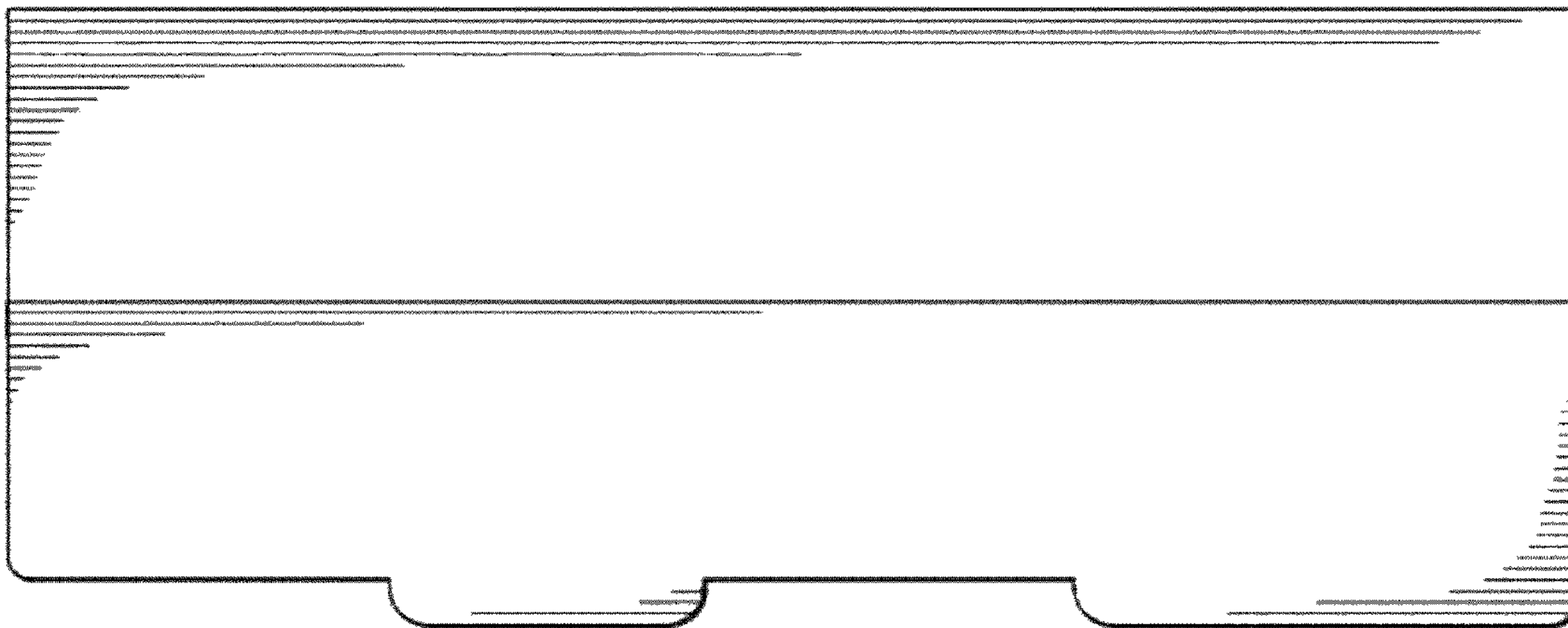


FIG. 23

