

US00D666742S

(12) **United States Design Patent**
Wiesemann

(10) **Patent No.:** **US D666,742 S**

(45) **Date of Patent:** **** Sep. 4, 2012**

(54) **WINDOW SASH FRAME REINFORCEMENT EXTRUSION**

(75) **Inventor:** **Sidney M. Wiesemann**, Erlanger, KY (US)

(73) **Assignee:** **Deceuninck North America, LLC**, Monroe, OH (US)

(**) **Term:** **14 Years**

(21) **Appl. No.:** **29/374,563**

(22) **Filed:** **Sep. 1, 2011**

(51) **LOC (9) Cl.** **25-01**

(52) **U.S. Cl.** **D25/119**

(58) **Field of Classification Search** D25/119, D25/121, 122; 49/DIG. 2, 181, 504, 395; 52/204.5, 656.6, 204.1, 204.55, 214, 309.2

See application file for complete search history.

(56) **References Cited**

U.S. PATENT DOCUMENTS

- 3,815,285 A * 6/1974 Kuyper 49/501
- 5,570,548 A * 11/1996 Hopper 52/204.5
- D412,756 S * 8/1999 McGee et al. D25/121

- D448,862 S * 10/2001 Kieffer D25/121
- D463,043 S * 9/2002 Edger D25/119
- D501,564 S * 2/2005 Kuramochi D25/122
- D504,959 S * 5/2005 Cole D25/119
- D536,101 S * 1/2007 Schrader D25/119
- 7,571,568 B2 * 8/2009 Ito et al. 49/181
- 7,779,577 B2 * 8/2010 Zayac 49/395
- 2004/0231255 A1 * 11/2004 Silverman 52/204.6
- 2009/0146436 A1 * 6/2009 Lindgren et al. 292/198

* cited by examiner

Primary Examiner — Doris Clark

(74) *Attorney, Agent, or Firm* — Jacox, Meckstroth & Jenkins

(57) **CLAIM**

The ornamental design for a window sash frame reinforcement extrusion, as shown and described.

DESCRIPTION

FIG. 1 is a perspective view of a window sash frame reinforcement extrusion, showing my new design, with a middle portion broken away to disclose indefinite length; and, FIG. 2 is an end view thereof, the opposite end view being the same.

1 Claim, 1 Drawing Sheet

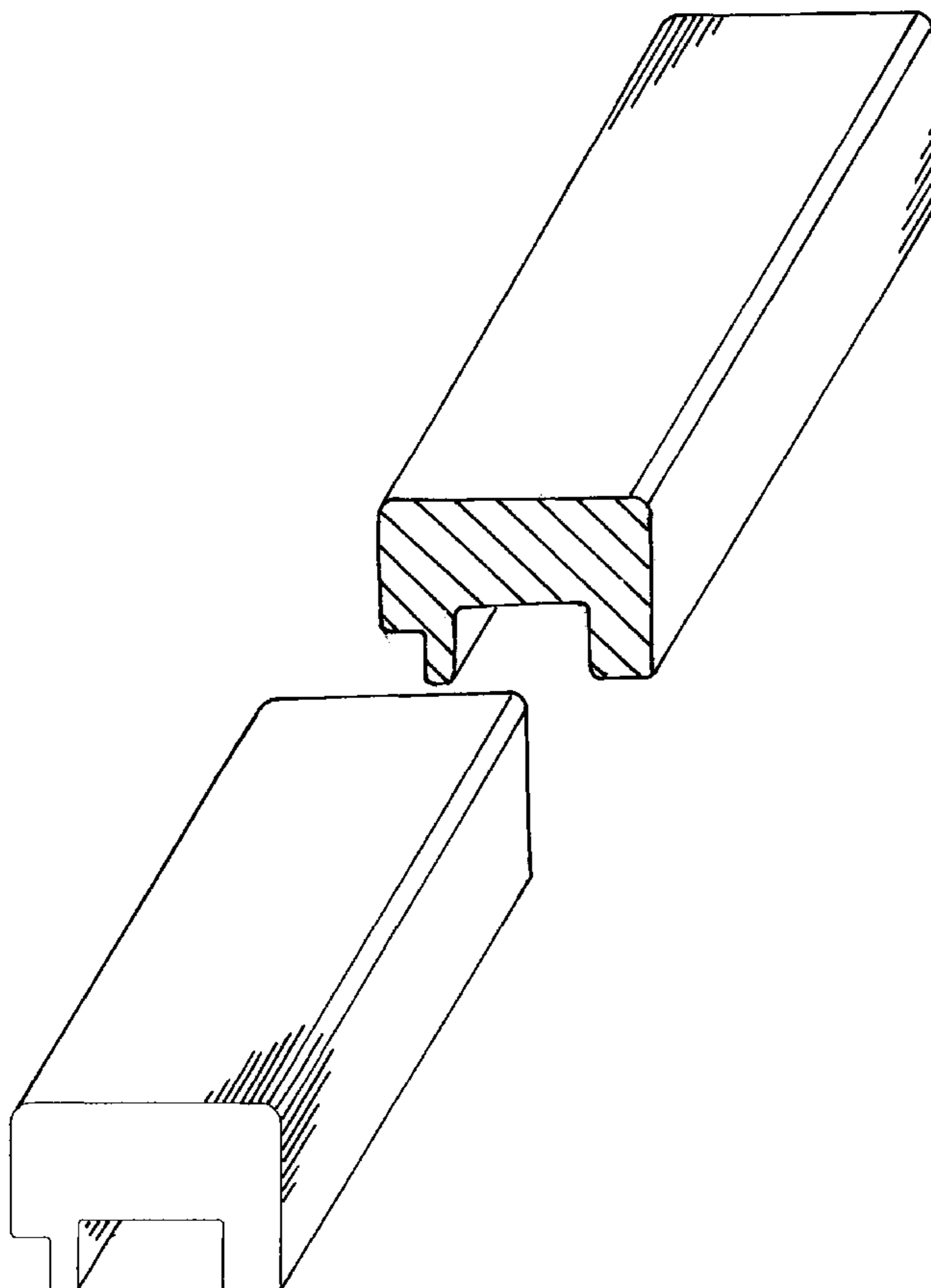


FIG. 1

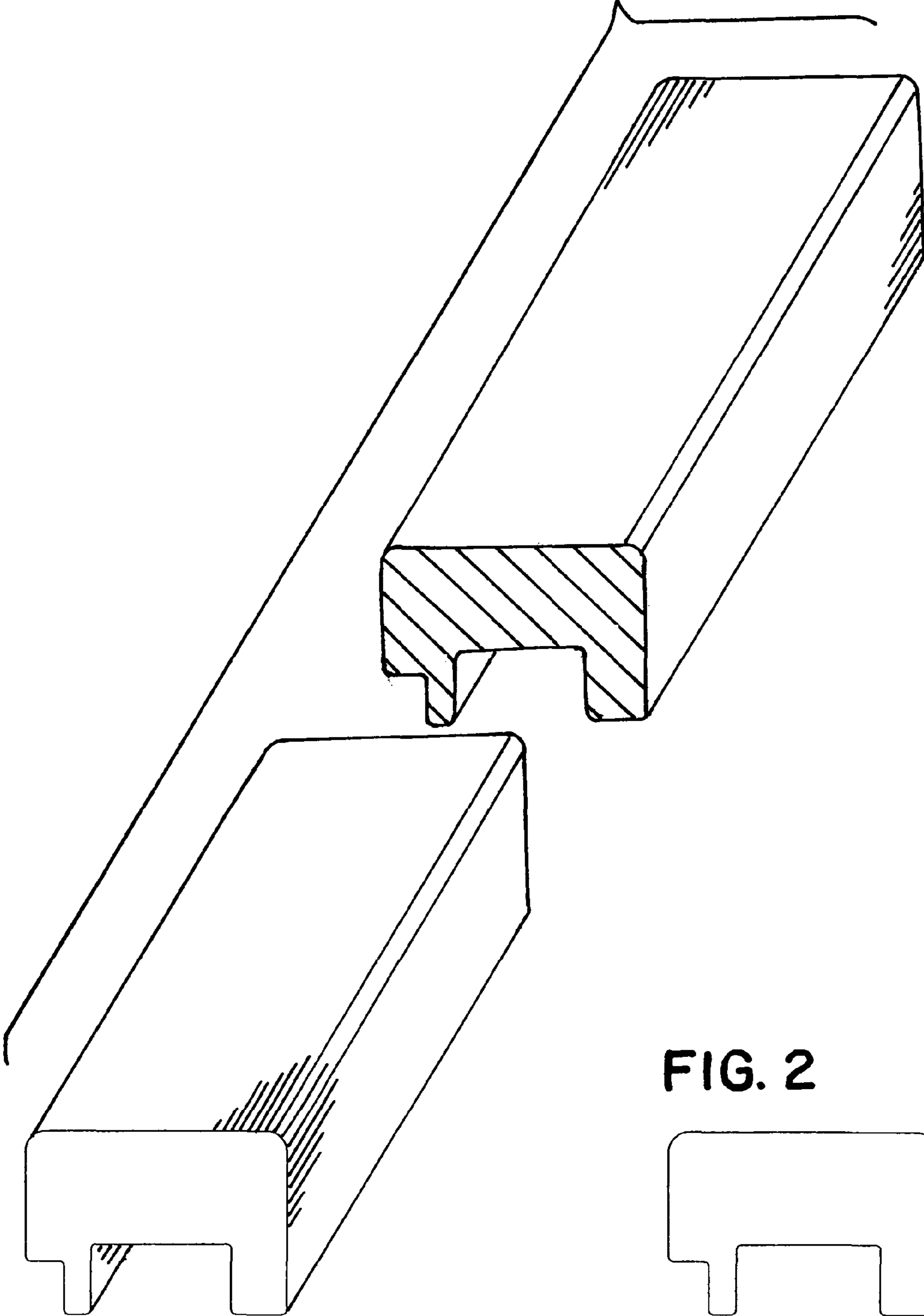


FIG. 2

